



US00D410936S

United States Patent [19]

Isono

[11] **Patent Number: Des. 410,936**

[45] **Date of Patent: ** Jun. 15, 1999**

[54] **VIDEO CAMERA**

4,485,407 11/1984 Bohm et al. 348/374

[75] Inventor: **Kazuki Isono**, Tokyo, Japan

OTHER PUBLICATIONS

Catalog "Videodeck '96", Sony p. 24, (May 1996).

[73] Assignee: **Sony Corporation**, Yokyo, Japan

Primary Examiner—Adir Aronovich
Attorney, Agent, or Firm—Foley & Lardner

[**] Term: **14 Years**

[21] Appl. No.: **29/085,133**

[57] CLAIM

[22] Filed: **Mar. 17, 1998**

The ornamental design for a video camera, as shown and described.

[51] **LOC (6) Cl.** **16-01**

[52] **U.S. Cl.** **D16/202**

[58] **Field of Search** D16/200-208,
D16/216-218; 348/373-376; 358/906; 396/535-543;
352/242, 243

DESCRIPTION

FIG. 1 is a perspective view of a video camera showing my new design;

FIG. 2 is a top plan view thereof;

FIG. 3 is a left side elevational view thereof;

FIG. 4 is a front elevational view thereof;

FIG. 5 is a right side elevational view thereof;

FIG. 6 is a bottom plan view thereof; and,

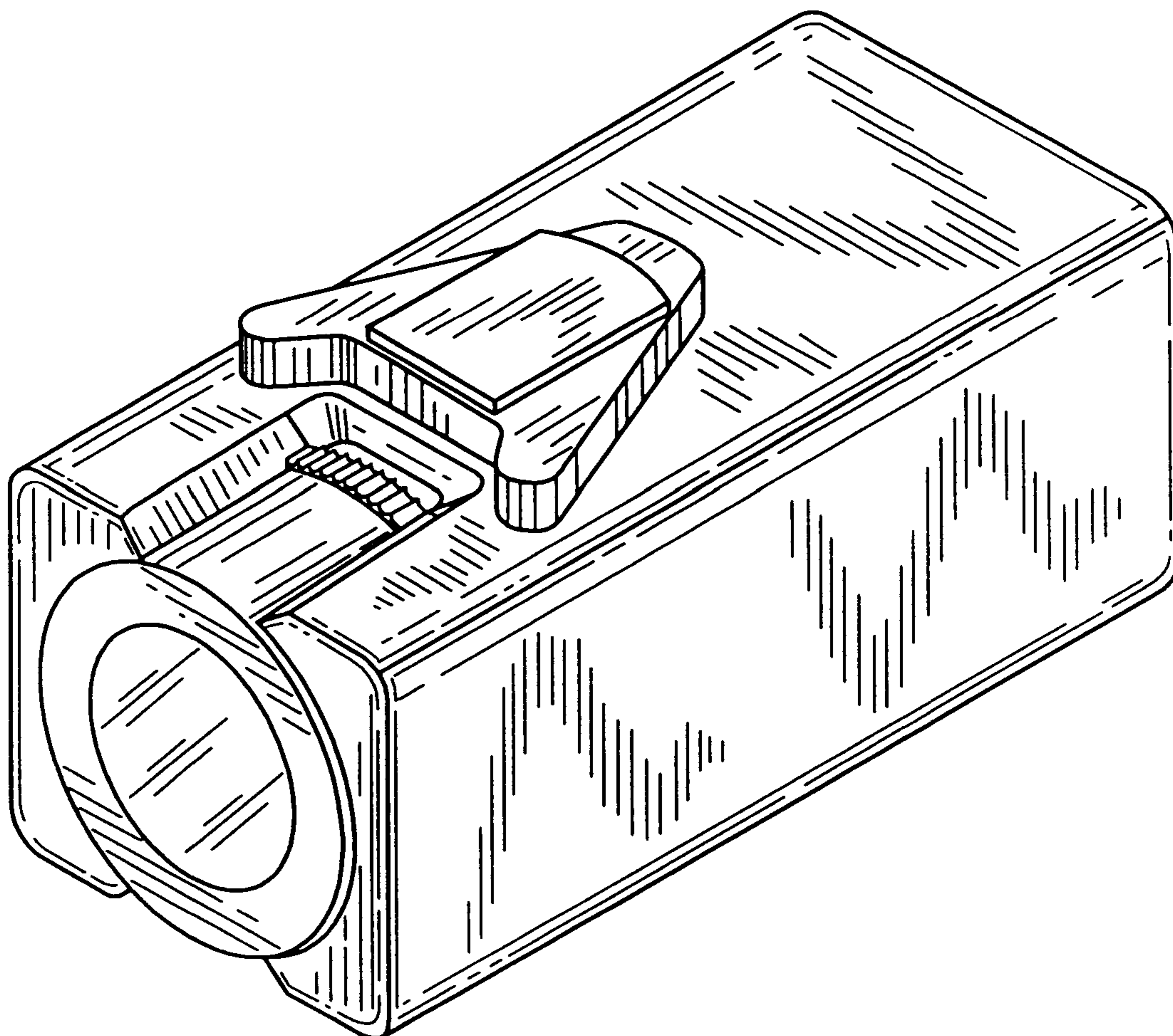
FIG. 7 is a rear elevational view thereof.

[56] References Cited

U.S. PATENT DOCUMENTS

D. 312,649	12/1990	Sakuta	D16/203
D. 366,271	1/1996	Hasegawa	D16/203
D. 373,593	9/1996	Hiroko et al.	D16/203
D. 381,997	8/1997	Morooka	D16/202

1 Claim, 4 Drawing Sheets



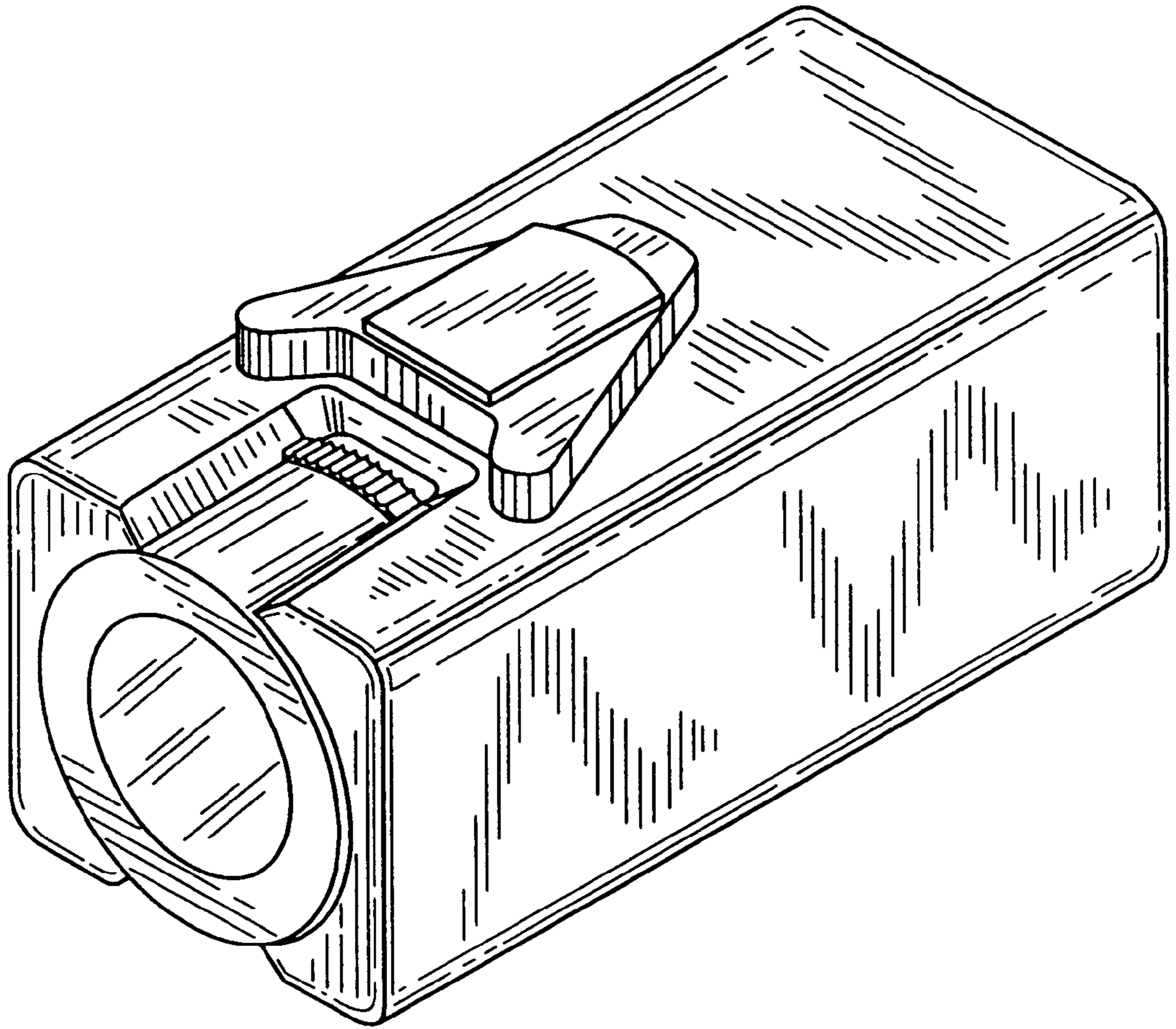


FIG. 1

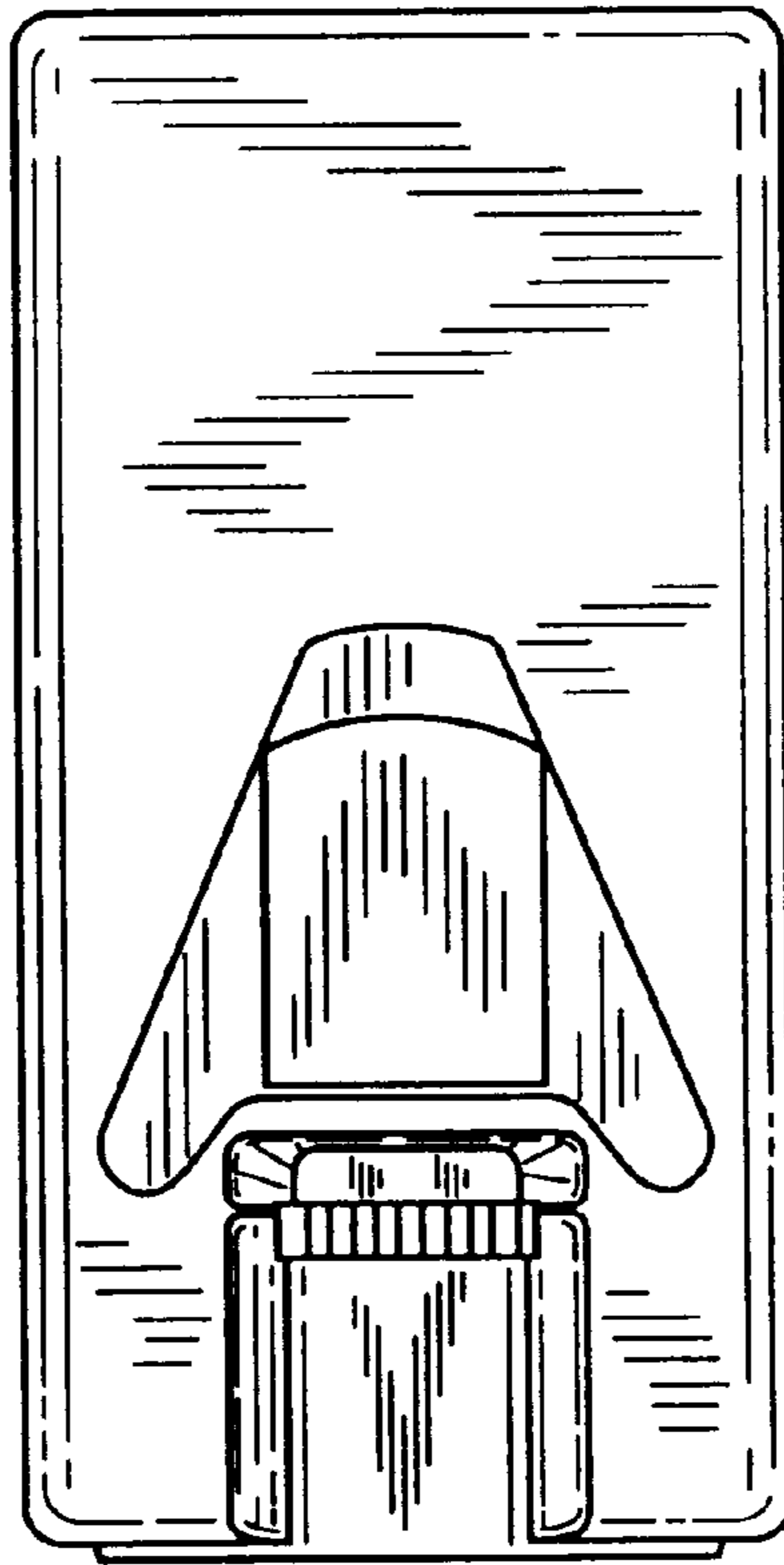


FIG. 2

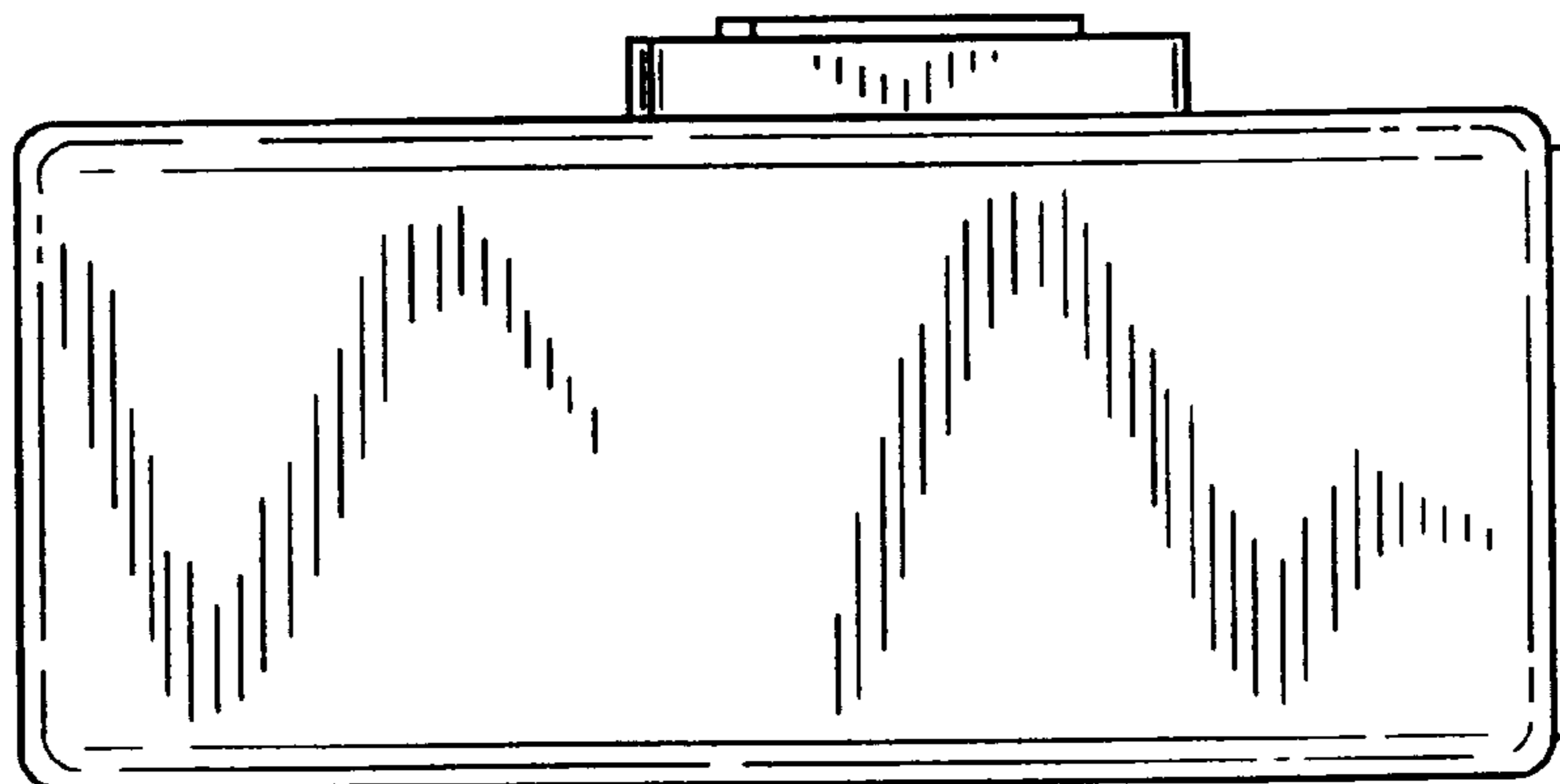


FIG. 3

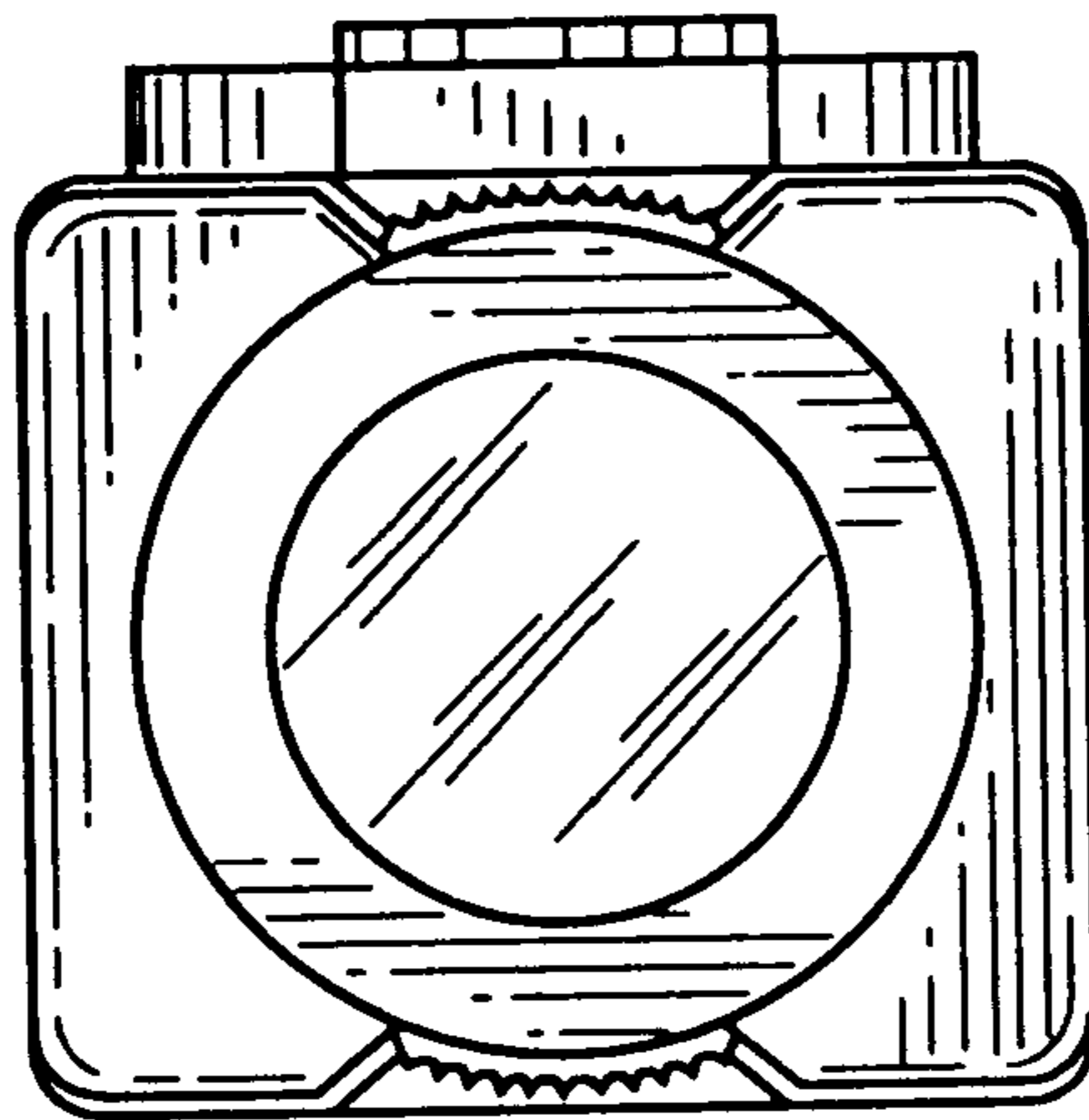


FIG. 4

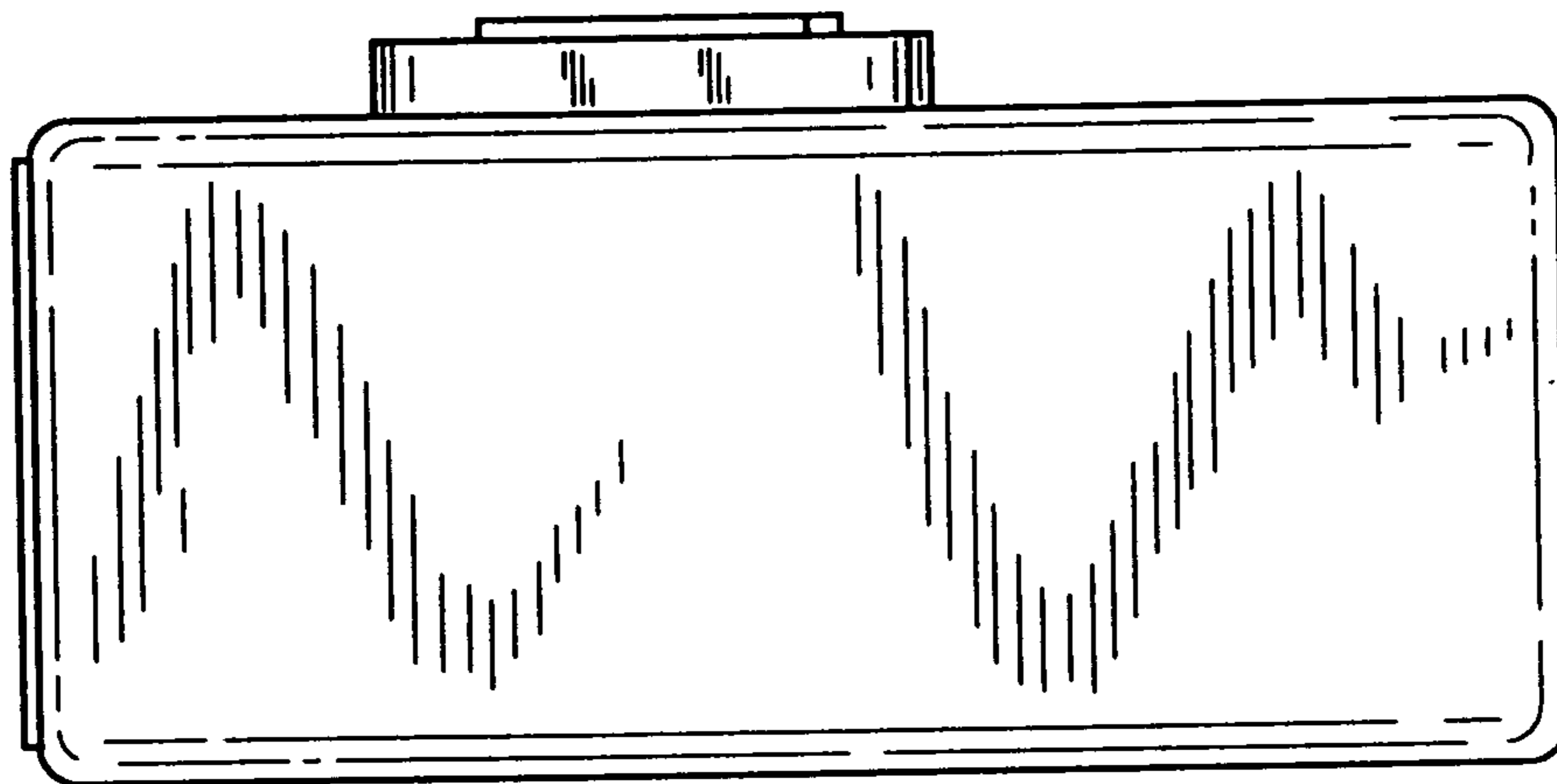


FIG. 5

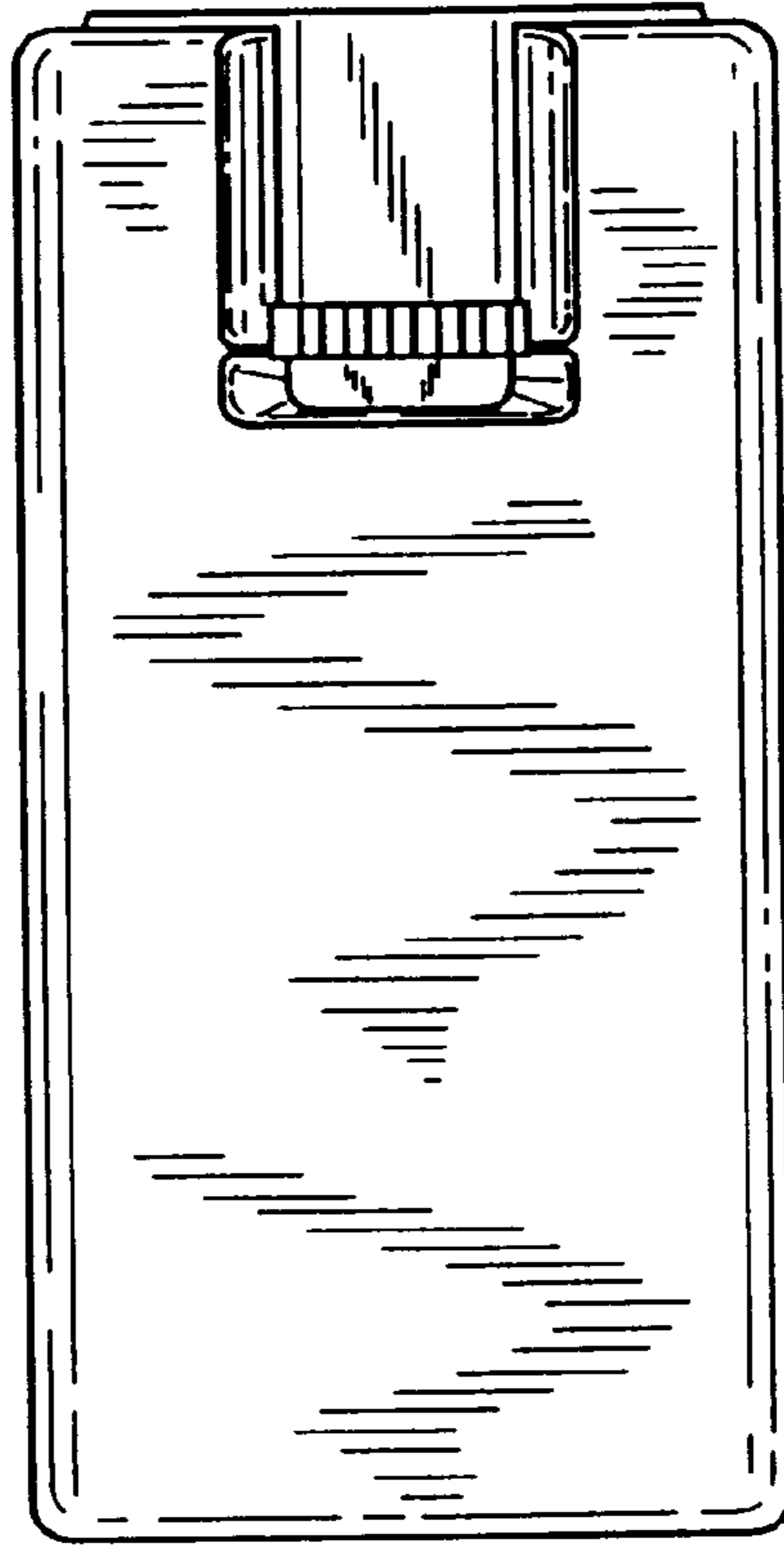


FIG. 6

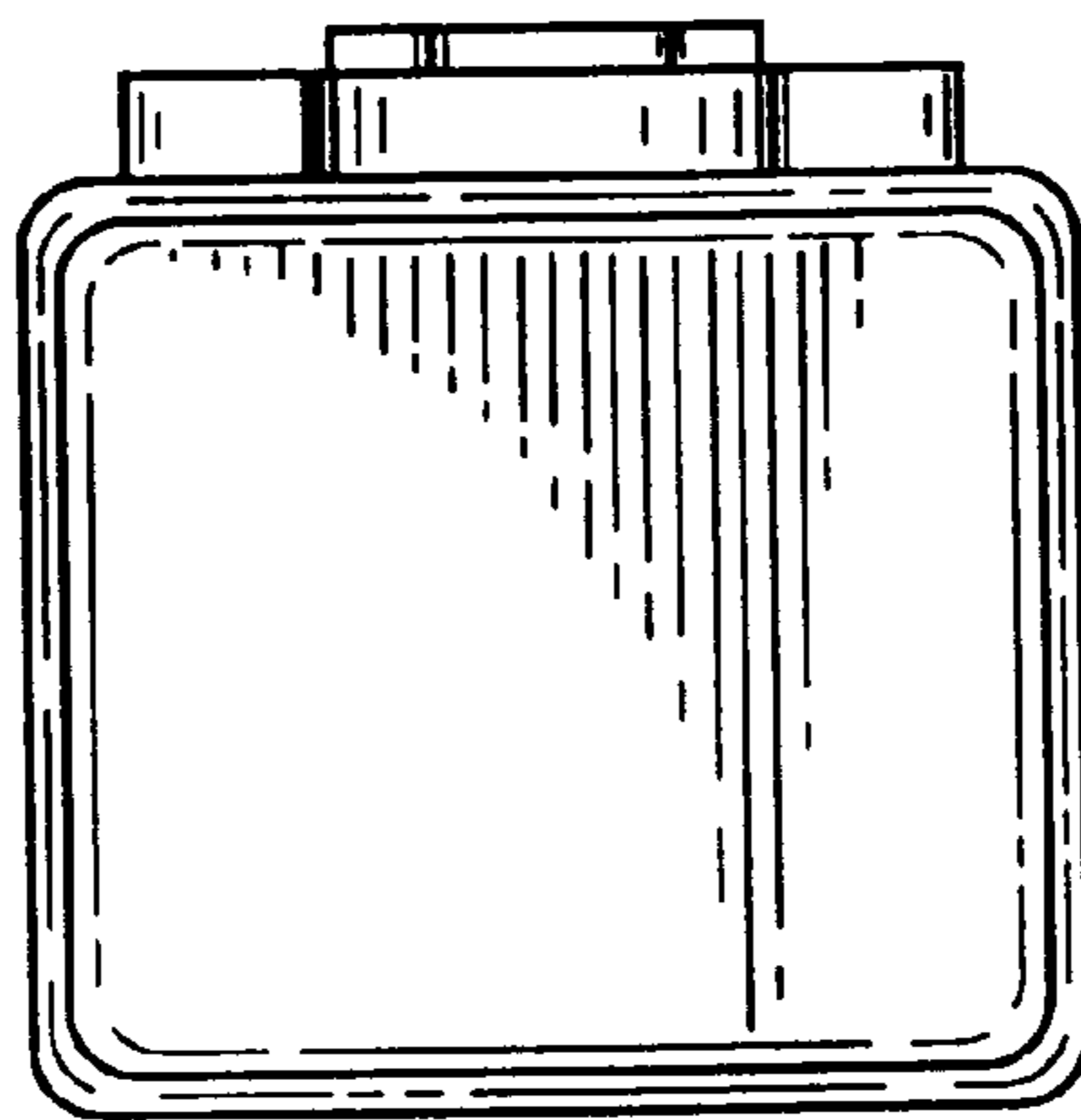


FIG. 7