



US00D410934S

United States Patent [19] Etter

[11] Patent Number: **Des. 410,934**

[45] Date of Patent: **** Jun. 15, 1999**

[54] **ROUTER EDGE GUIDE**

[75] Inventor: **Mark A. Etter**, Jackson, Tenn.

[73] Assignee: **Porter-Cable Corporation**, Jackson, Tenn.

[**] Term: **14 Years**

[21] Appl. No.: **29/083,293**

[22] Filed: **Nov. 17, 1997**

[51] **LOC (6) Cl.** **15-09**

[52] **U.S. Cl.** **D15/127; D15/141**

[58] **Field of Search** **D15/127, 131, D15/141; 144/144.52, 372, 144.1; 33/403, 415; 83/471.3, 473**

[56] **References Cited**

U.S. PATENT DOCUMENTS

3,376,787	4/1968	Morganson .
3,478,788	11/1969	Zelik .
3,635,268	1/1972	Lange .
4,112,987	9/1978	Pachnik .
4,114,664	9/1978	Cotton .
4,185,671	1/1980	Cotton .
4,290,719	9/1981	Worthington et al. .
4,306,598	12/1981	Peot .
4,312,391	1/1982	Snow .
4,470,439	9/1984	Sanders .
4,572,715	2/1986	Wolff .
4,718,468	1/1988	Cowman .
4,796,682	1/1989	Michaels .
4,798,506	1/1989	Kulp, Jr. .
4,911,214	3/1990	Scott .

(List continued on next page.)

OTHER PUBLICATIONS

Router Accessories (Porter-Cable) p. 77 (1 page).
 Atlas Copco Literature, first page entitled: Precision at its best (4 pages).
 AEG Router & Accessories—OFS 50 (1 page).
 Bosch Literature for "Deluxe Router Guide" (1 page).
 "Router Bit Sets and Router Accessories" (1 page).
 DeWalt Literature, entitled: Router Accessories (1 page).

Festo Literature (1 page).
 Hitachi Literature, entitled: Routers (1 page).

(List continued on next page.)

Primary Examiner—Antoine Duval Davis
Attorney, Agent, or Firm—Merchant & Gould, P.A.

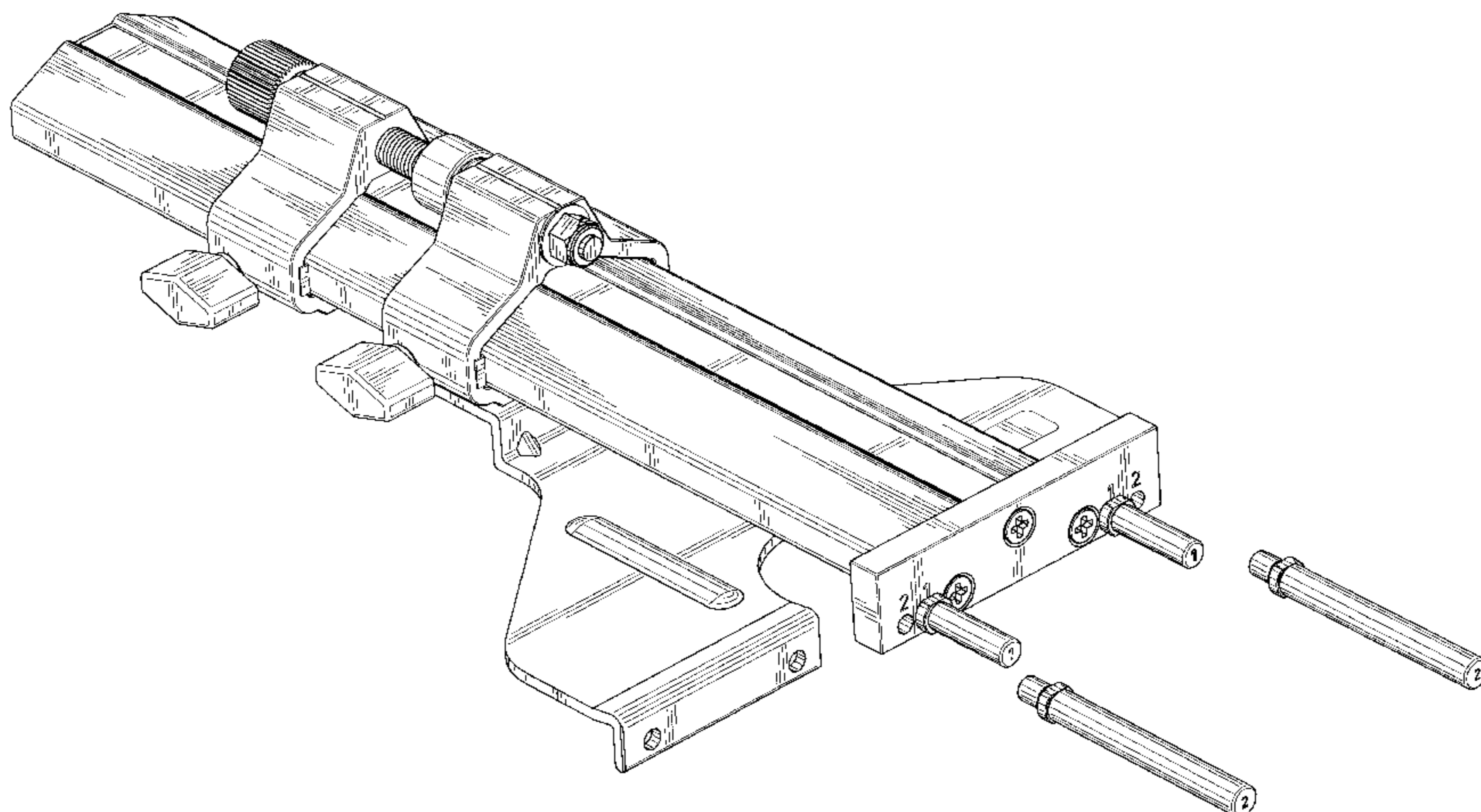
[57] **CLAIM**

The ornamental design for a router edge guide, as shown and described.

DESCRIPTION

FIG. 1 is a front top left perspective view of a router edge guide having a mounting bar and mounting rods of a first configuration;
 FIG. 2 is a front elevational view of the router edge guide shown in FIG. 1;
 FIG. 3 is a rear elevational view of the router edge guide shown in FIG. 1;
 FIG. 4 is a top plan view of the router edge guide shown in FIG. 1;
 FIG. 5 is a bottom plan view of the router edge guide shown in FIG. 1;
 FIG. 6 is a left side elevational view of the router edge guide shown in FIG. 1;
 FIG. 7 is a right side elevational view of the router edge guide shown in FIG. 1;
 FIG. 8 is a front top left perspective view of a router edge guide having a mounting bar and mounting rods of a second configuration;
 FIG. 9 is a front elevational view of the router edge guide shown in FIG. 8;
 FIG. 10 is a rear elevational view of the router edge guide shown in FIG. 8;
 FIG. 11 is a top plan view of the router edge guide shown in FIG. 8;
 FIG. 12 is a bottom plan view of the router edge guide shown in FIG. 8;
 FIG. 13 is a left side elevational view of the router edge guide shown in FIG. 8; and,
 FIG. 14 is a right side elevational view of the router edge guide shown in FIG. 8.

1 Claim, 10 Drawing Sheets



U.S. PATENT DOCUMENTS

4,913,206 4/1990 Altinbasak .
4,921,023 5/1990 Pempek .
4,977,938 12/1990 Greeson .
5,038,841 8/1991 Larmon .
5,080,152 1/1992 Collins et al. .
5,123,463 6/1992 Grisley .
5,139,065 8/1992 Stark .
5,240,052 8/1993 Davison .
5,299,609 4/1994 Wedler .
5,533,556 7/1996 Whitney 144/144.52

OTHER PUBLICATIONS

Makita Literature entitled: Routers (2 pages).
Metabo Literature (1 page).
Milwaukee Literature, entitled: Heavy Duty Electric Tools For Contractors And Industry (1 page).
Ryobi Literature, entitled: Power Tools (1 page).
Skil Literature, entitled: Power Tools and Accessories (1 page).

Spielman, "Router Handbook", Sterling Publishing Co., Inc. ©1983, pp. 52-100 and 122-135.

Hitachi Power Tools, Catalog No. SD-E301 (4 pages).

Hitachi Router Instruction Manual for Model M12V M12SA and M8V M8.

Porter Cable Routers-Instruction Manual ©1994.

PNI Literature, Re: The ARC™ (2 pages).

"The Art of Woodworking-Routing and Shaping" from Time-Life Books © 1993, pp. 64-115.

Bosch Literature, entitled: RA 1051 and RA 1052 Deluxe Router Guides . . . (2 pages).

William Alden Company Catalog, dated 1988, pp. 24-25.

Woodhaven™ Literature ©1997 (3 pages).

Woodhaven Catalog Aug. 1993, © 1992 (6 pages).

"Operation of the Modern Router", Stanley © 1971.

DeWalt Parallel Fence with Fine Fence Adjuster DW6912 © 1992.

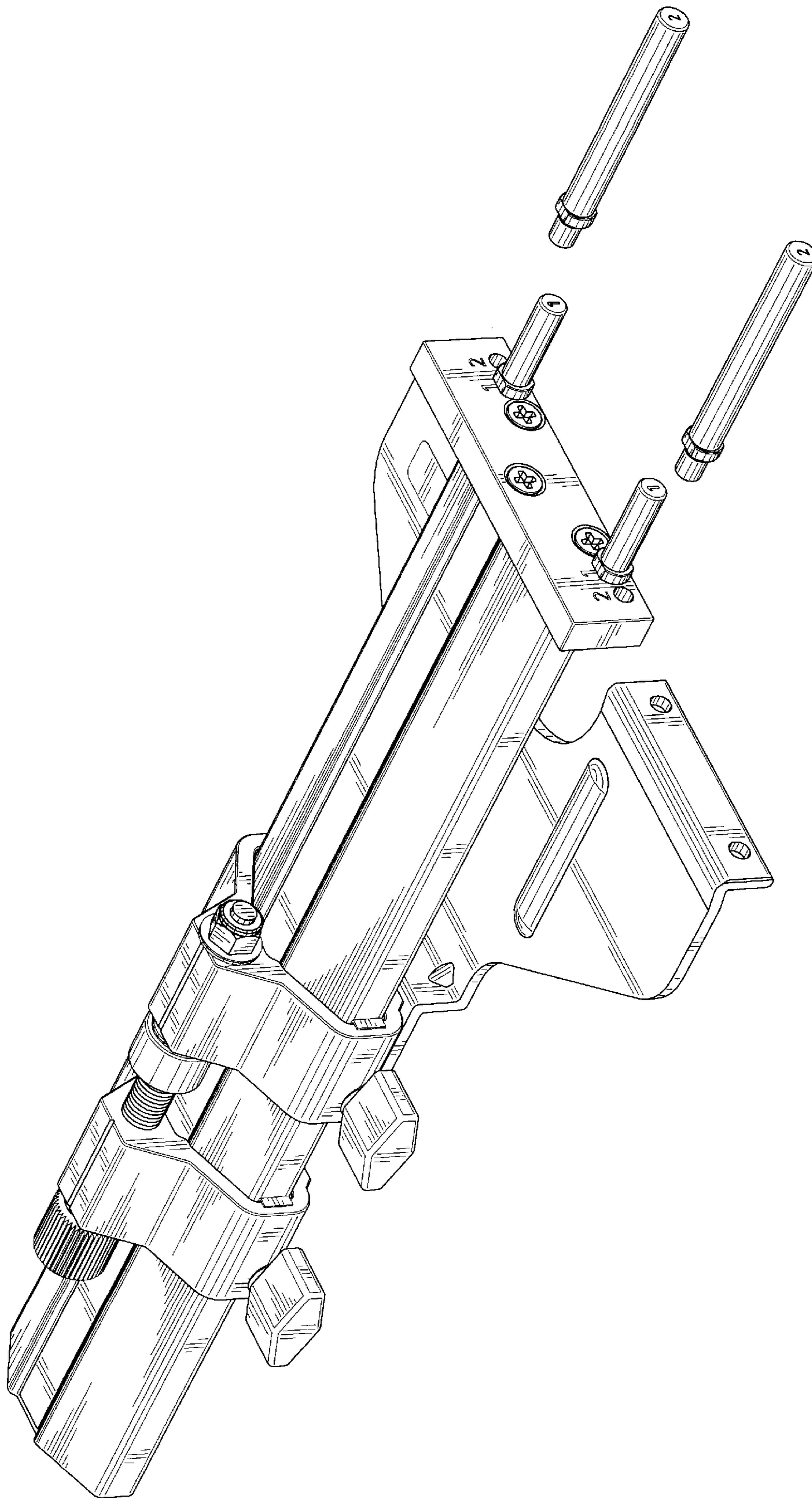


FIG. 1

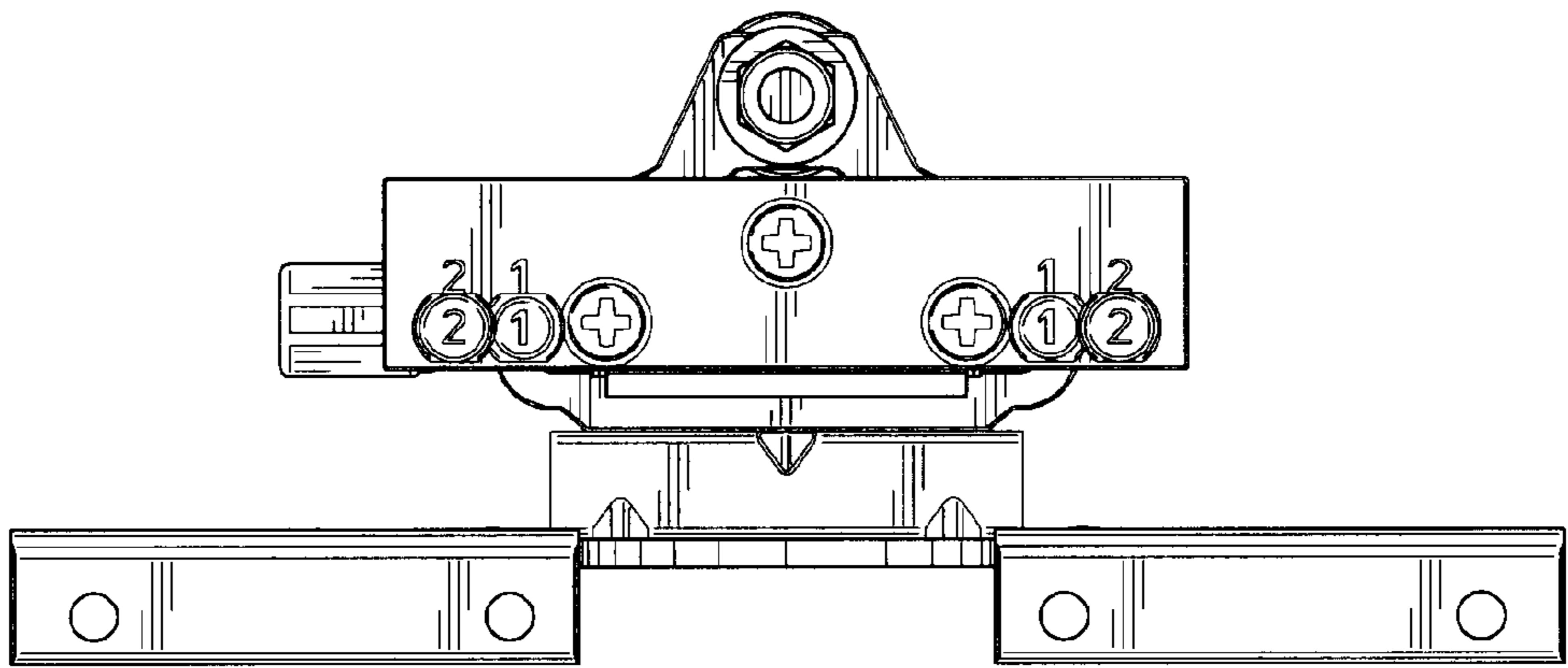


FIG. 2

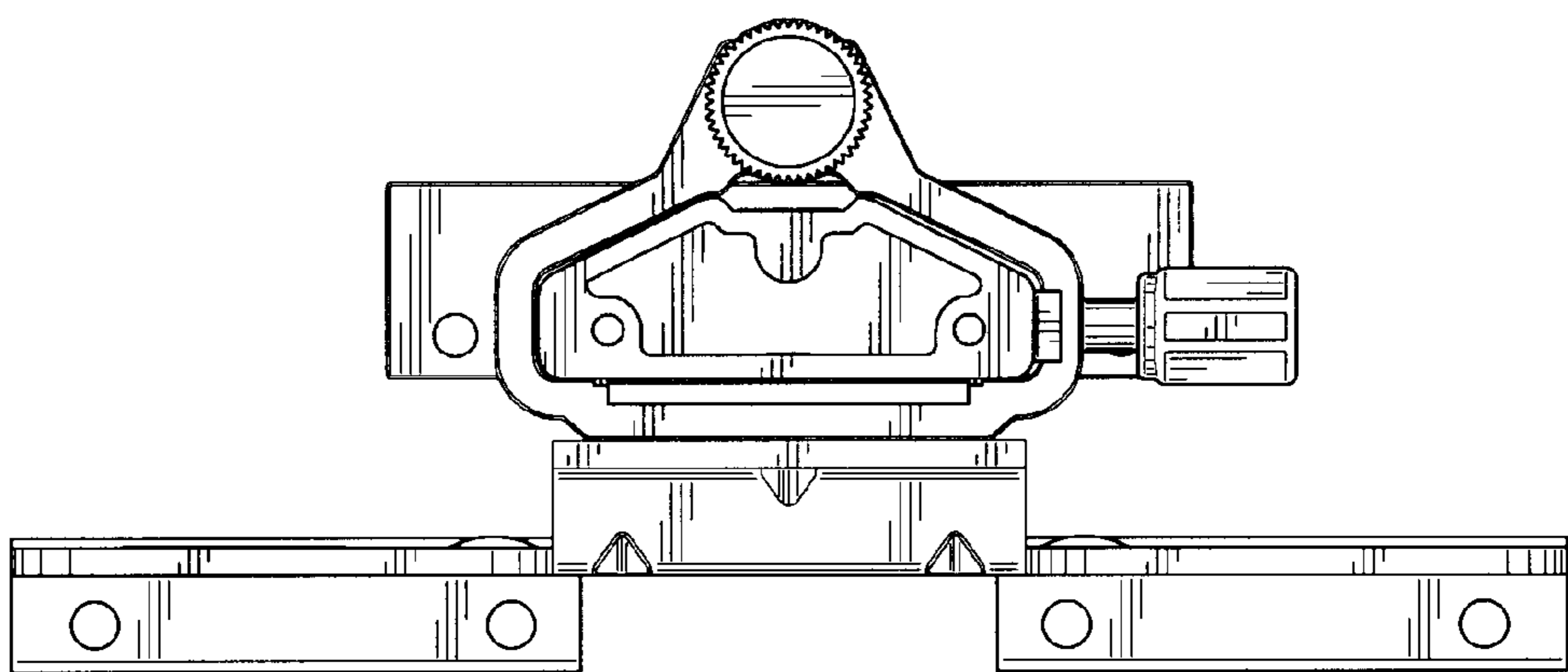


FIG. 3

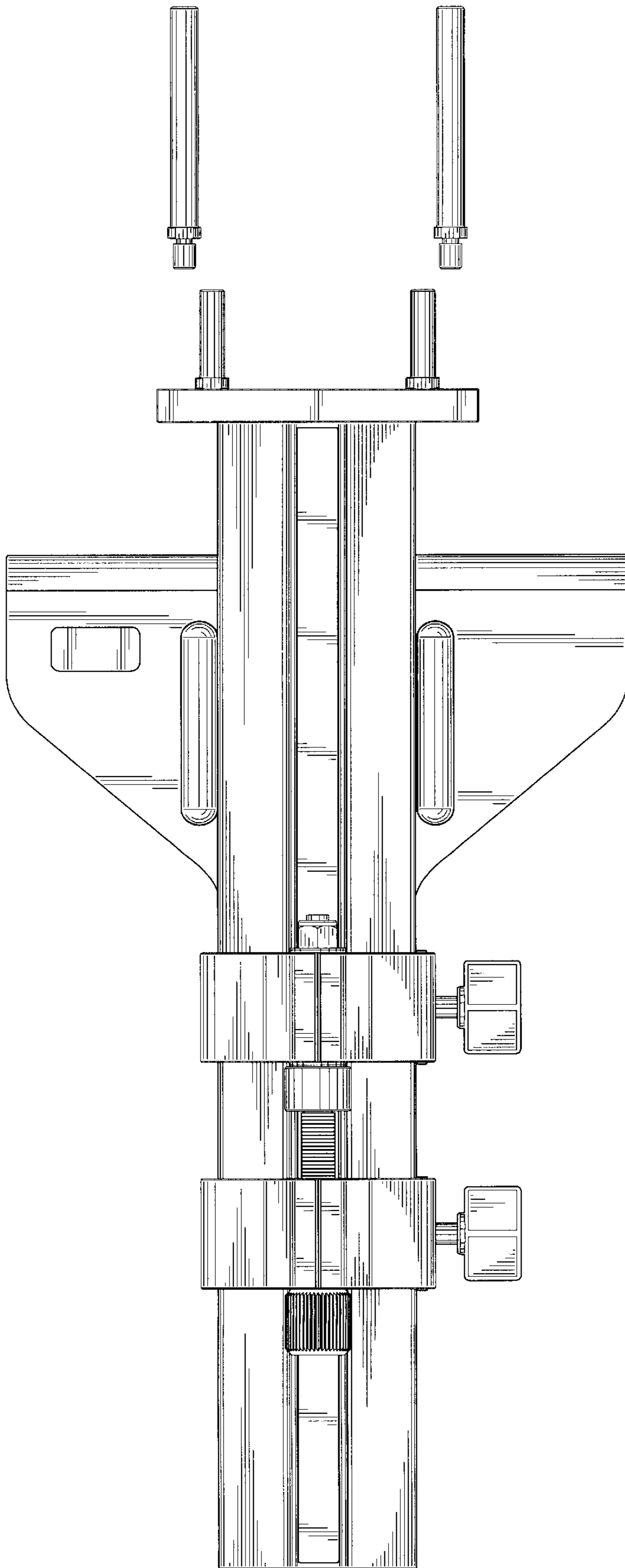


FIG. 4

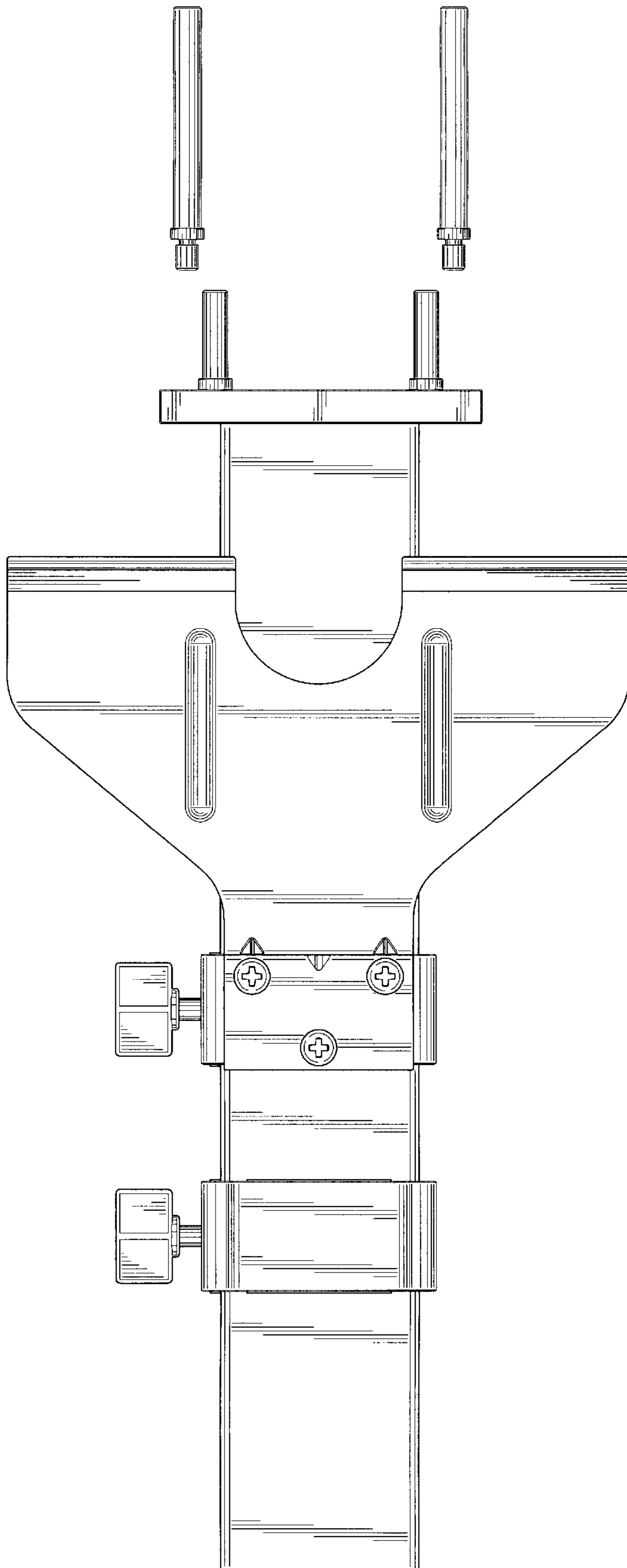


FIG. 5

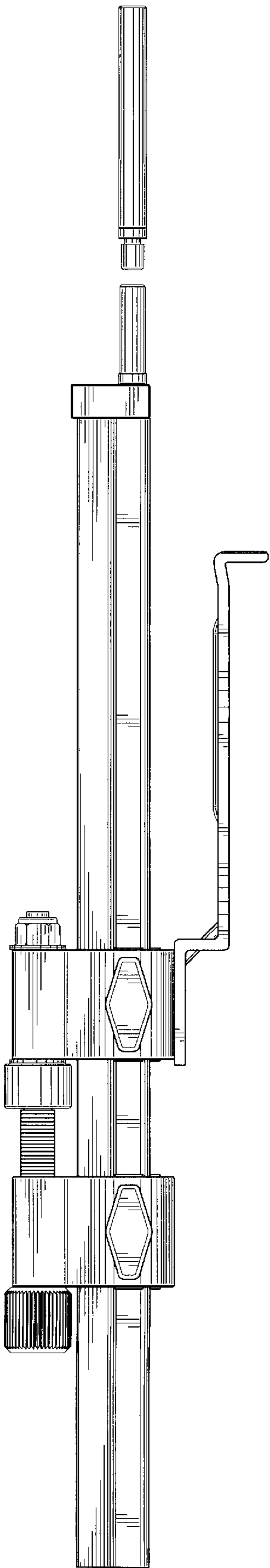


FIG. 6

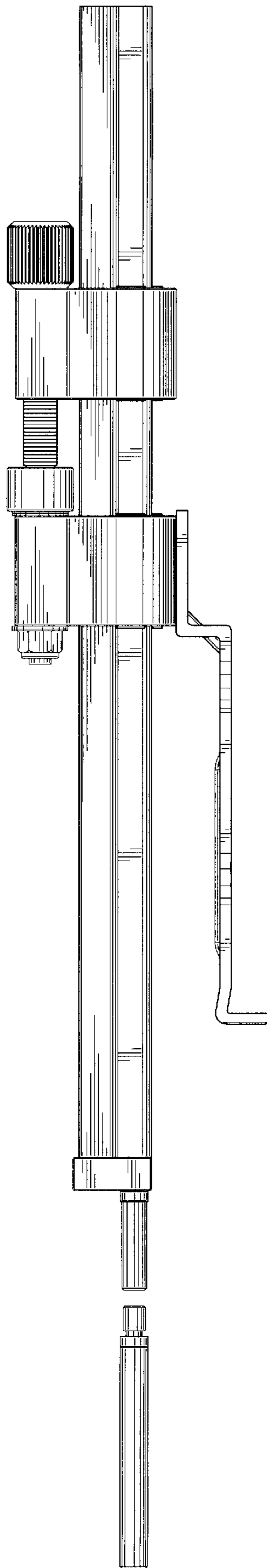


FIG. 7

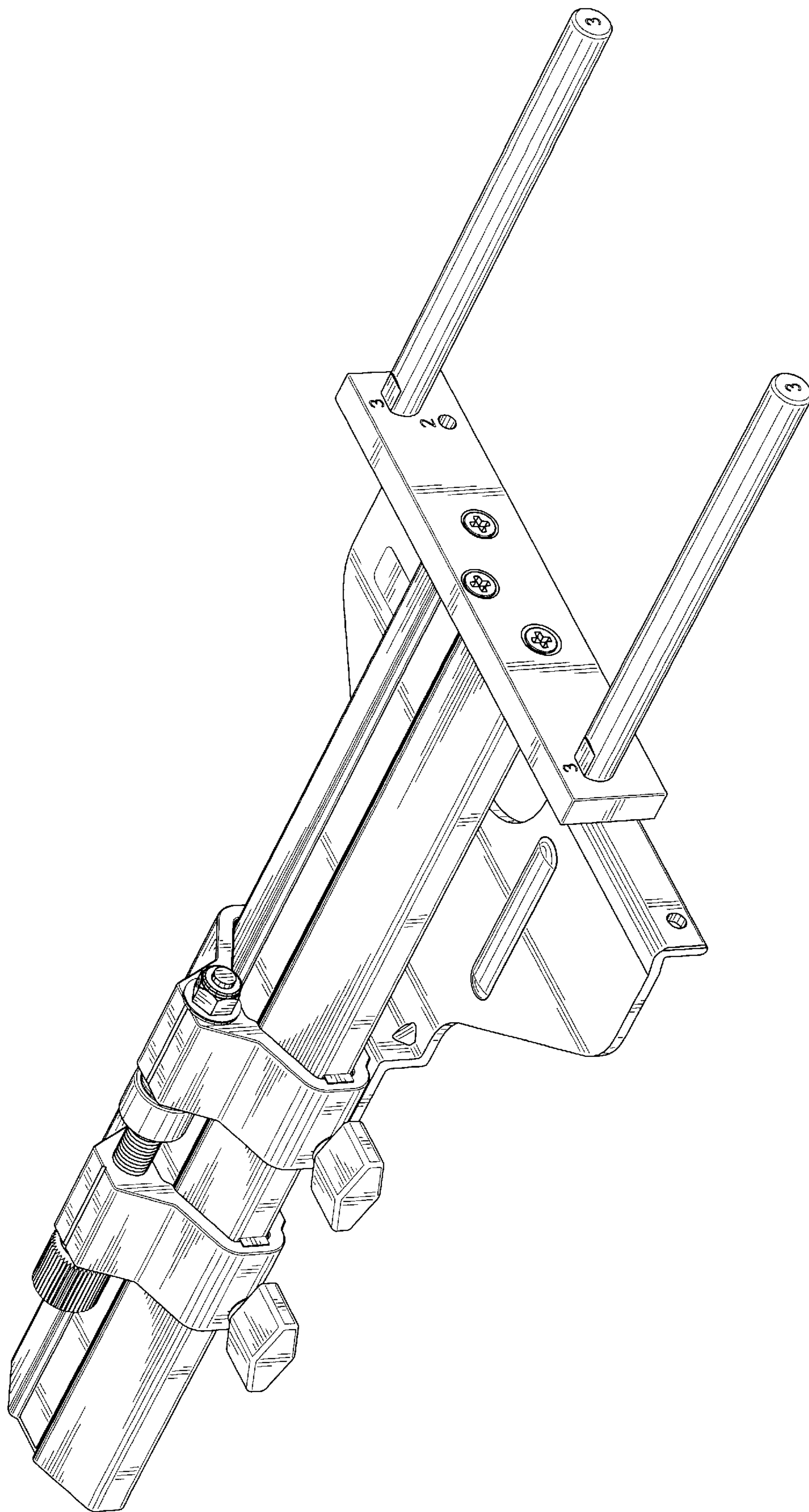


FIG. 8

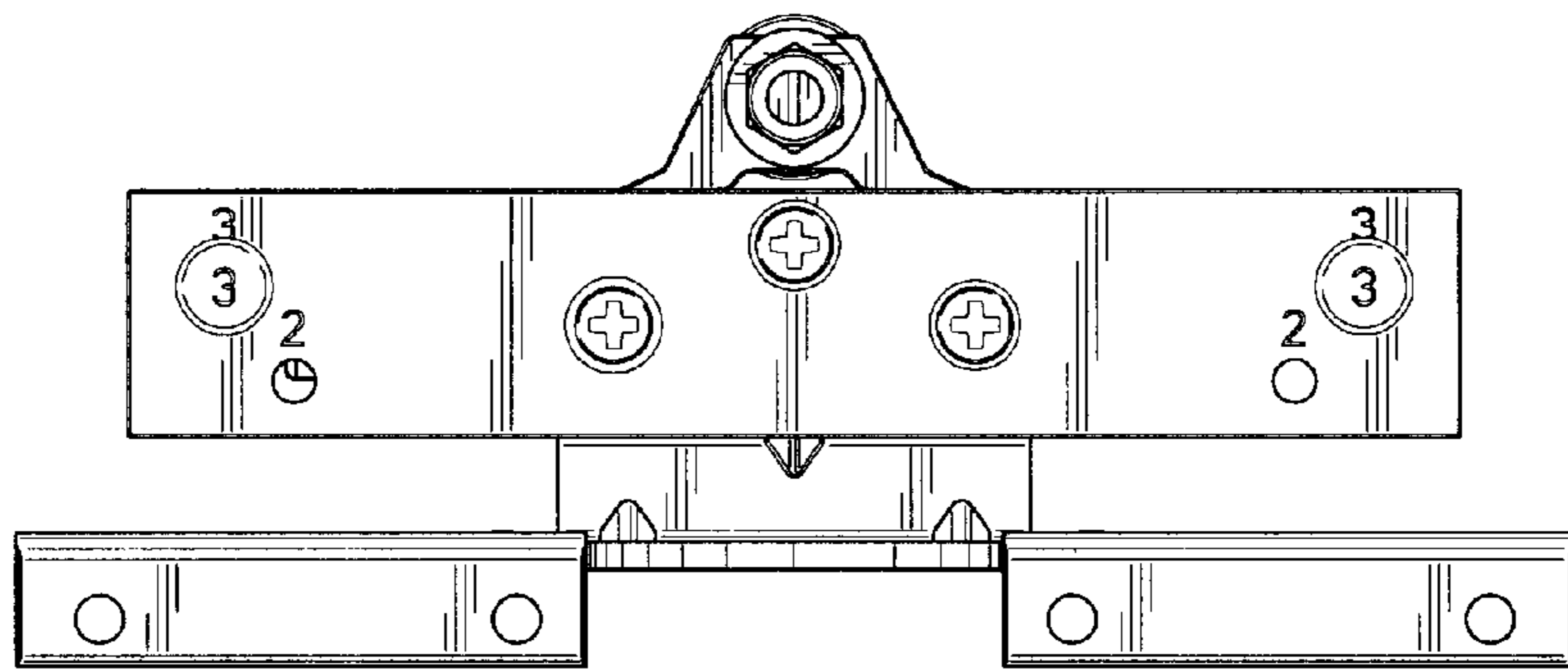


FIG. 9

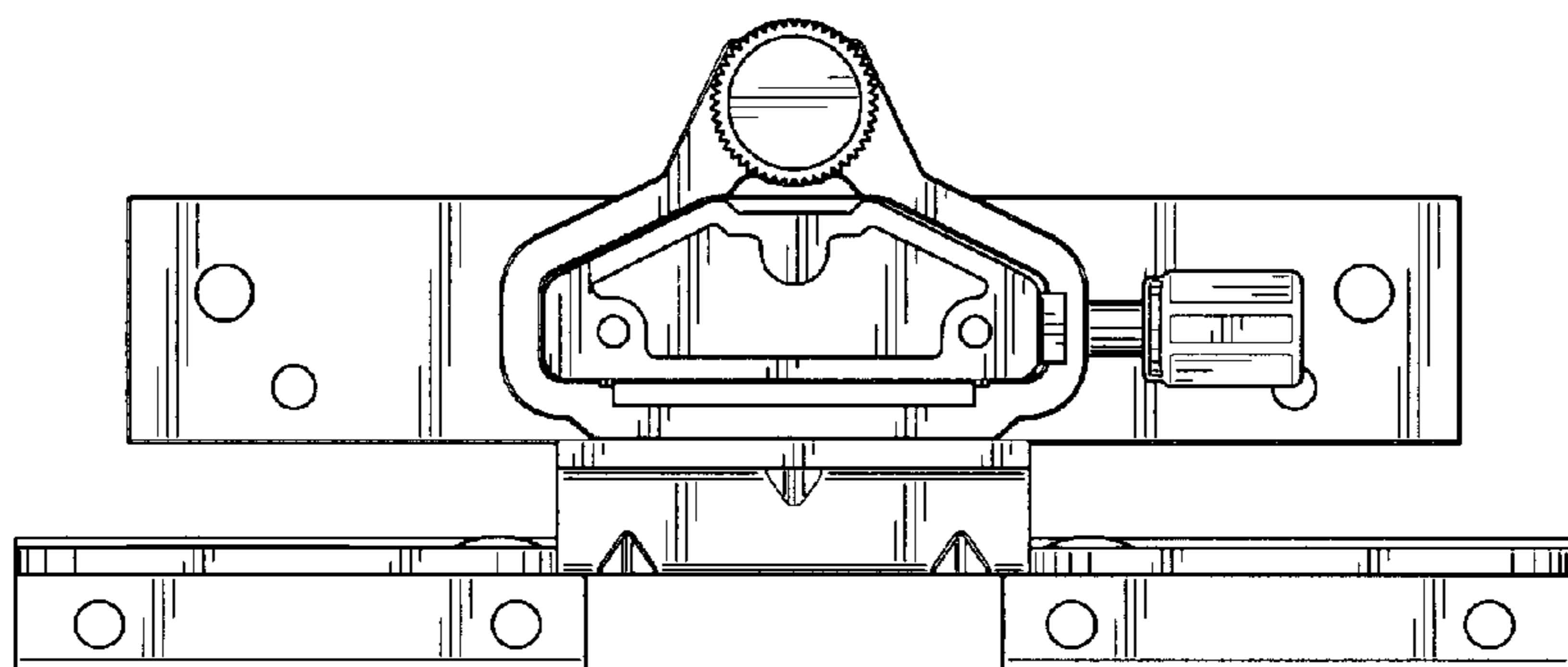


FIG. 10

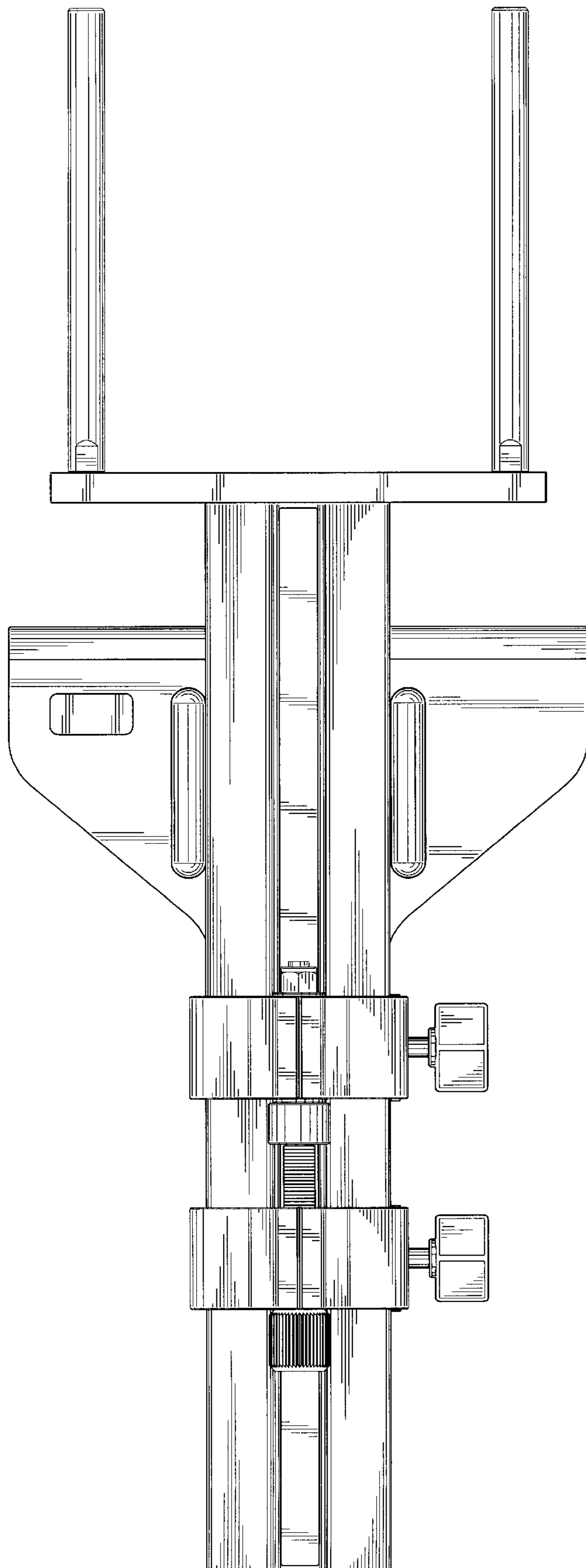


FIG. 11

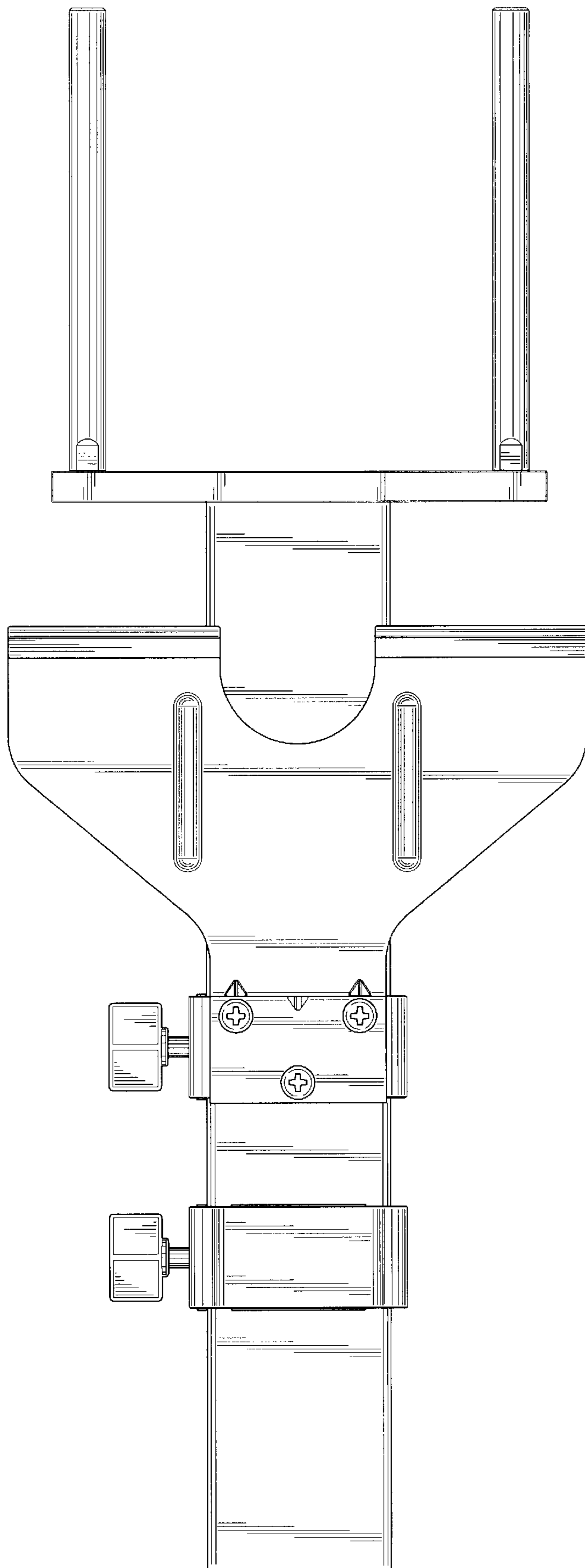


FIG. 12

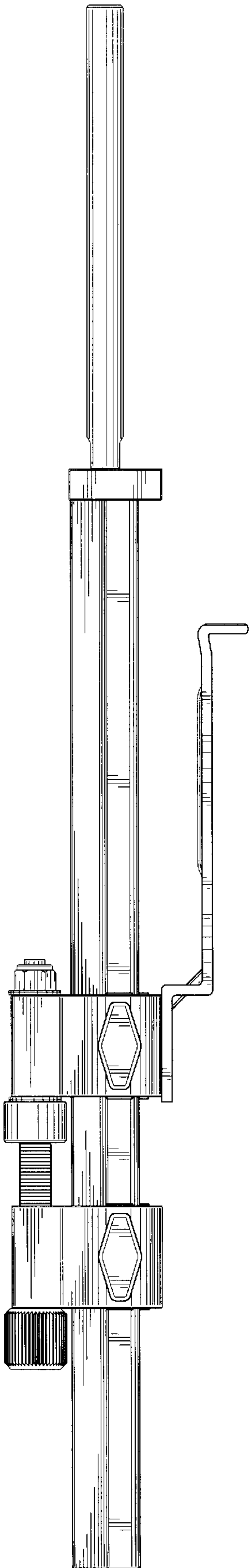


FIG. 13

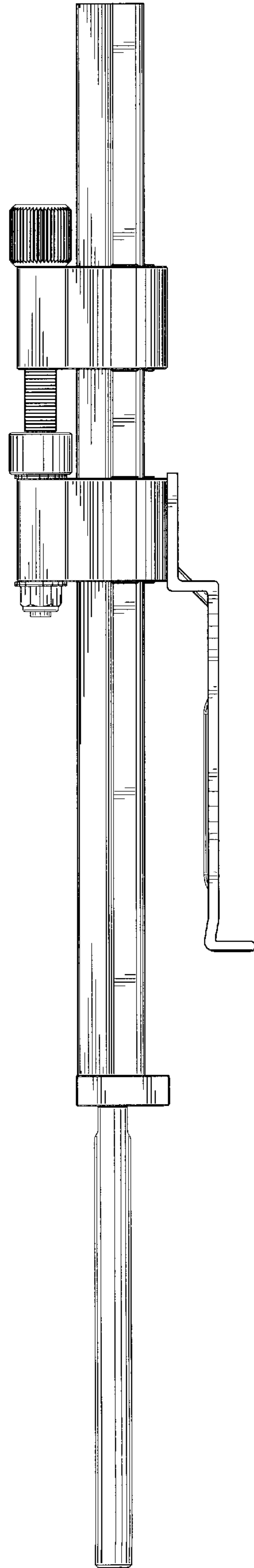


FIG. 14