



US00D410932S

United States Patent [19]

De Pue

[11] Patent Number: **Des. 410,932**

[45] Date of Patent: **** Jun. 15, 1999**

[54] **BACK HOE WITH OUTRIGGERS**

5,451,135 9/1995 Schempf et al. D15/24
5,540,006 7/1996 Lloyd 37/443

[76] Inventor: **Ronald A. De Pue**, 15283 Mylalon,
Apple Valley, Calif. 92307

Primary Examiner—Sandra L. Morris
Attorney, Agent, or Firm—Donald Diamond

[**] Term: **14 Years**

[57] CLAIM

[21] Appl. No.: **29/090,292**

The ornamental design for a back hoe with outriggers, as shown and described.

[22] Filed: **Jul. 6, 1998**

DESCRIPTION

[51] **LOC (6) Cl.** **15-04**

[52] **U.S. Cl.** **D15/32**

[58] **Field of Search** D15/10, 17, 22-28,
D15/32; 37/403, 443; 414/722, 912

FIG. 1 is a perspective view of a back hoe with outriggers showing my new design;

FIG. 2 is a front elevational view thereof;

FIG. 3 is a rear elevational view thereof;

FIG. 4 is a right side elevational view thereof;

FIG. 5 is a left side elevational view thereof;

FIG. 6 is a top plan view thereof; and,

FIG. 7 is a bottom plan view thereof.

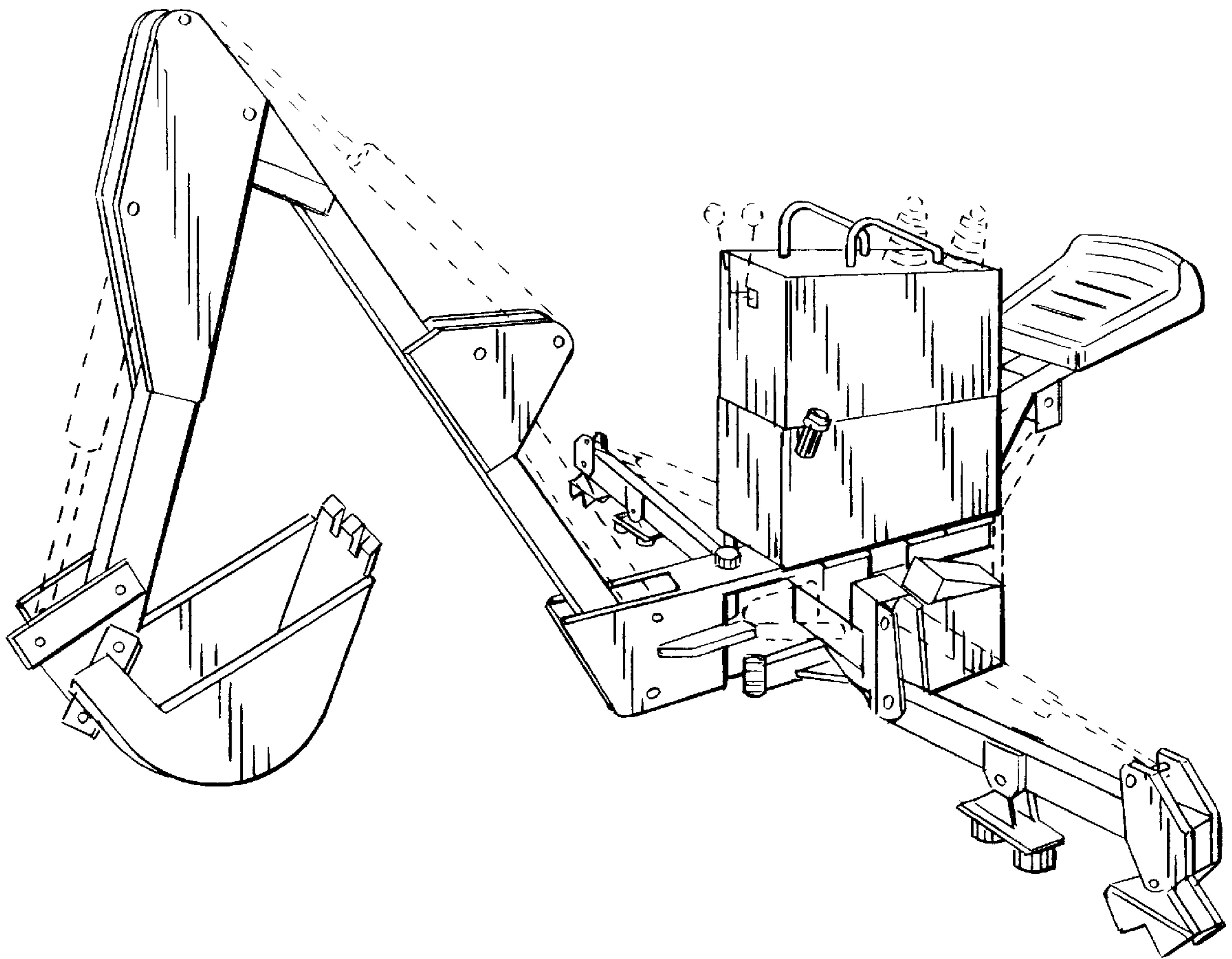
The broken line showing is for illustrative purposes only, and forms no part of the claimed design.

[56] References Cited

U.S. PATENT DOCUMENTS

D. 162,873	4/1951	Pilch	D15/32
D. 191,939	12/1961	Holopainen et al.	D15/32
3,139,199	6/1964	Van Auwelaer	37/443
3,441,154	4/1969	Przybylski	D15/25
4,869,002	9/1989	Glenn	37/403

1 Claim, 5 Drawing Sheets



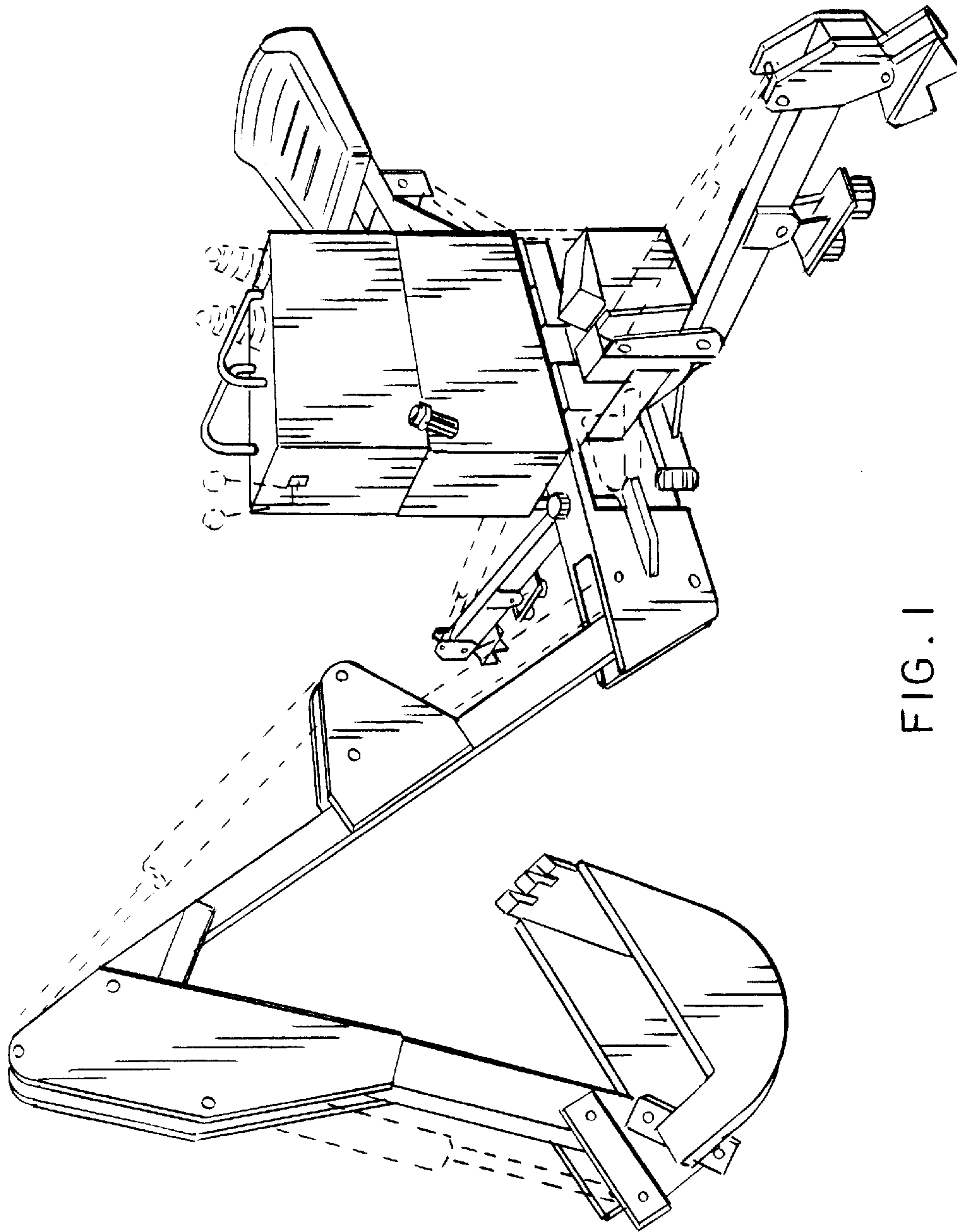
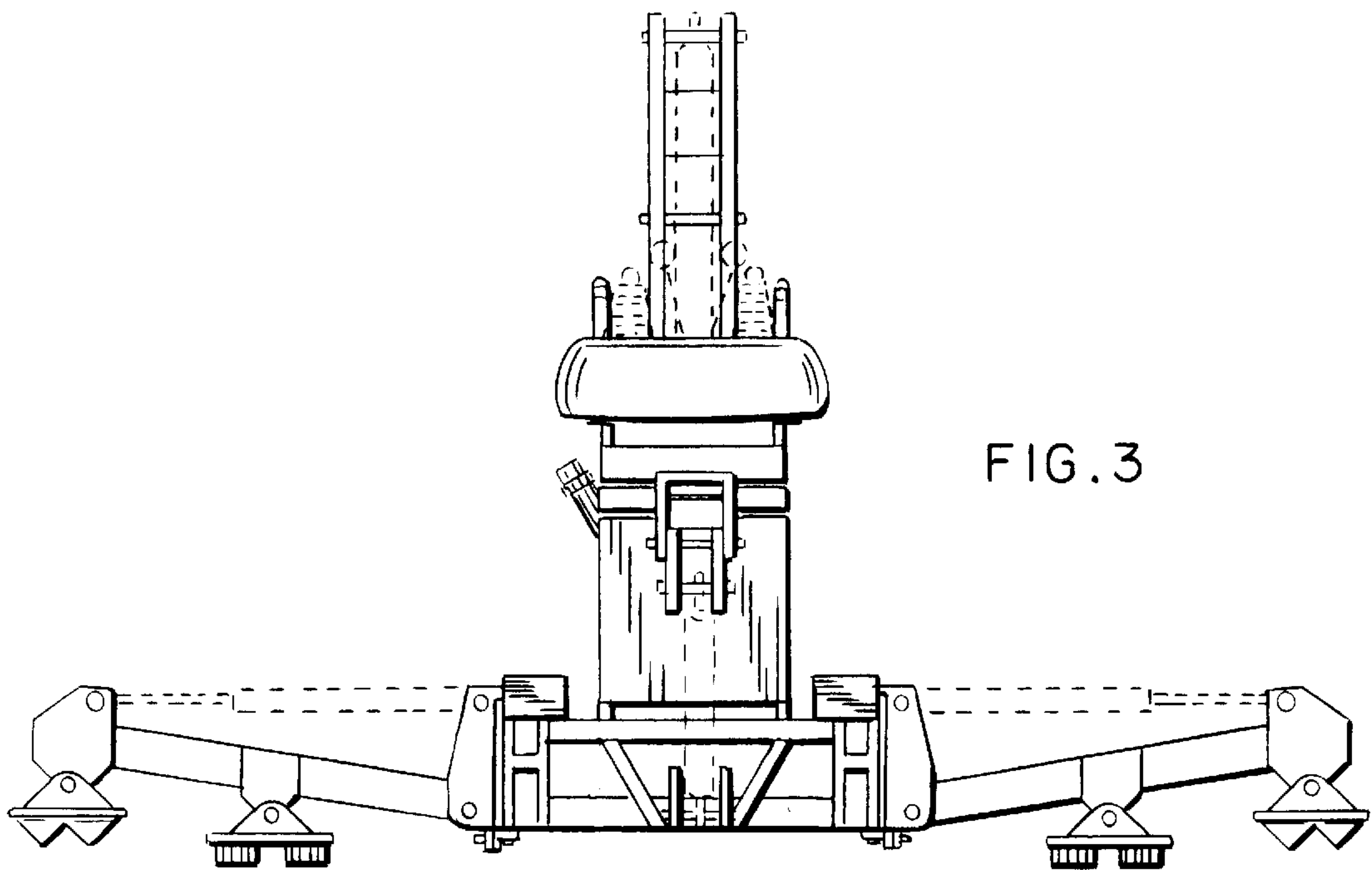
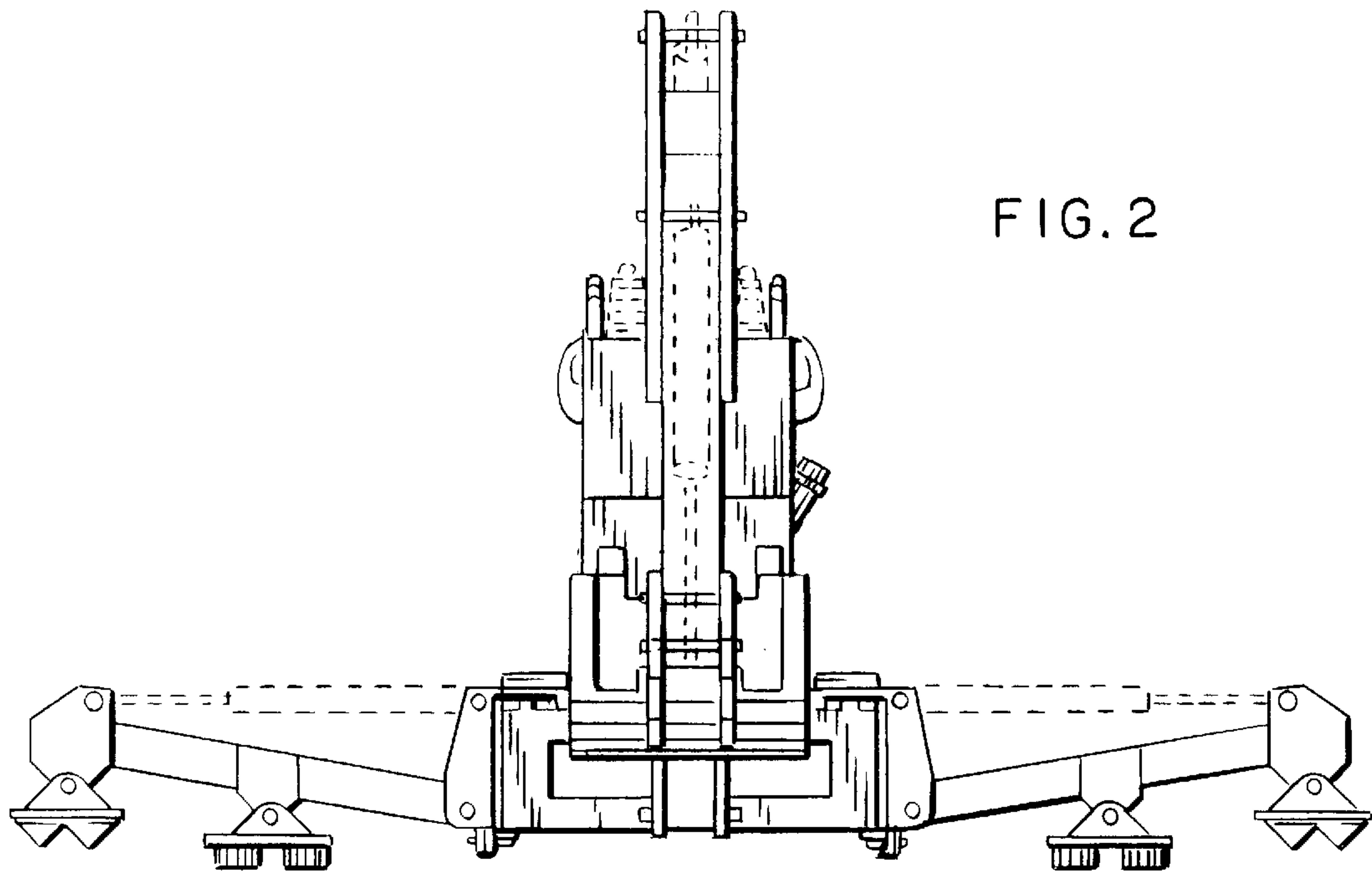
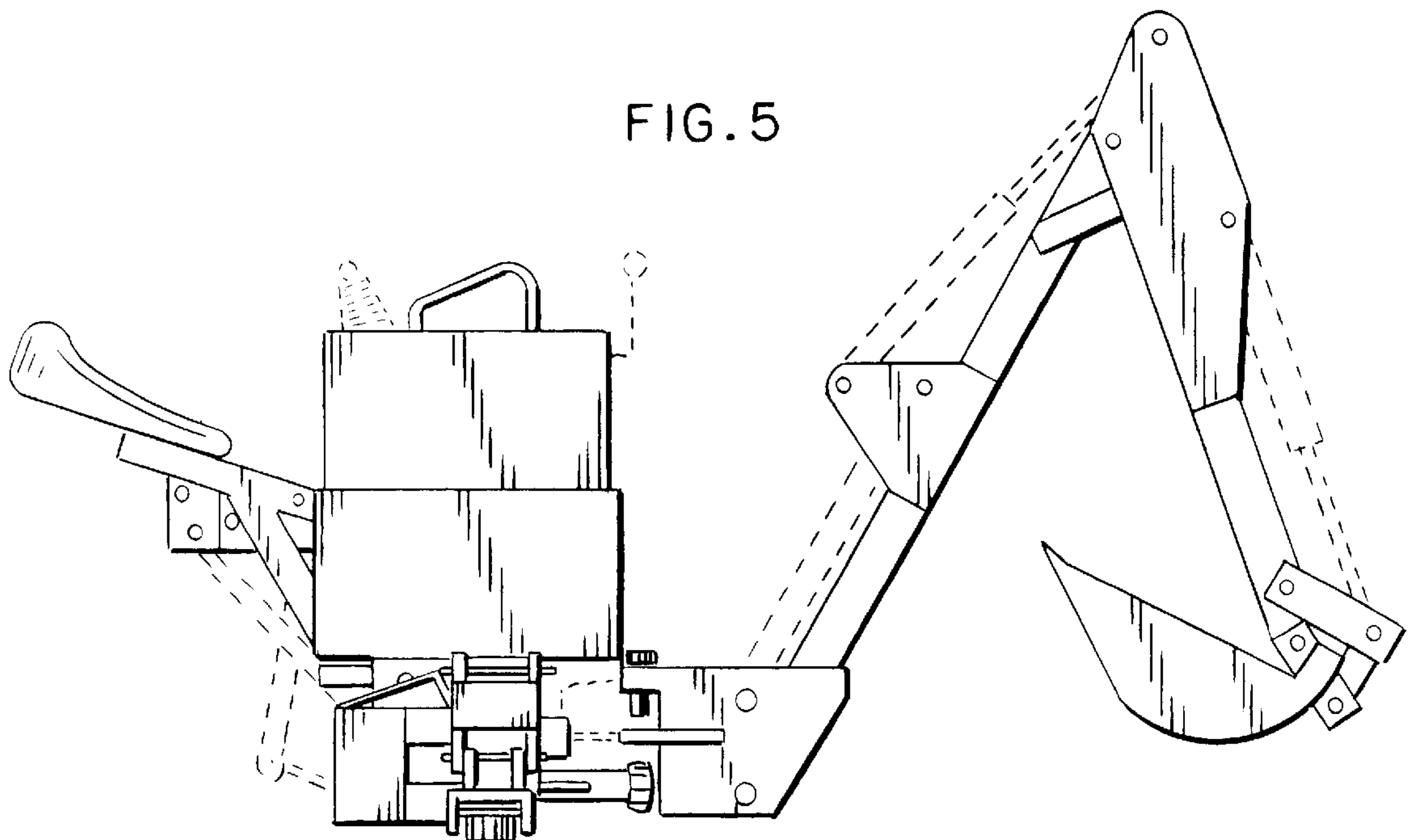
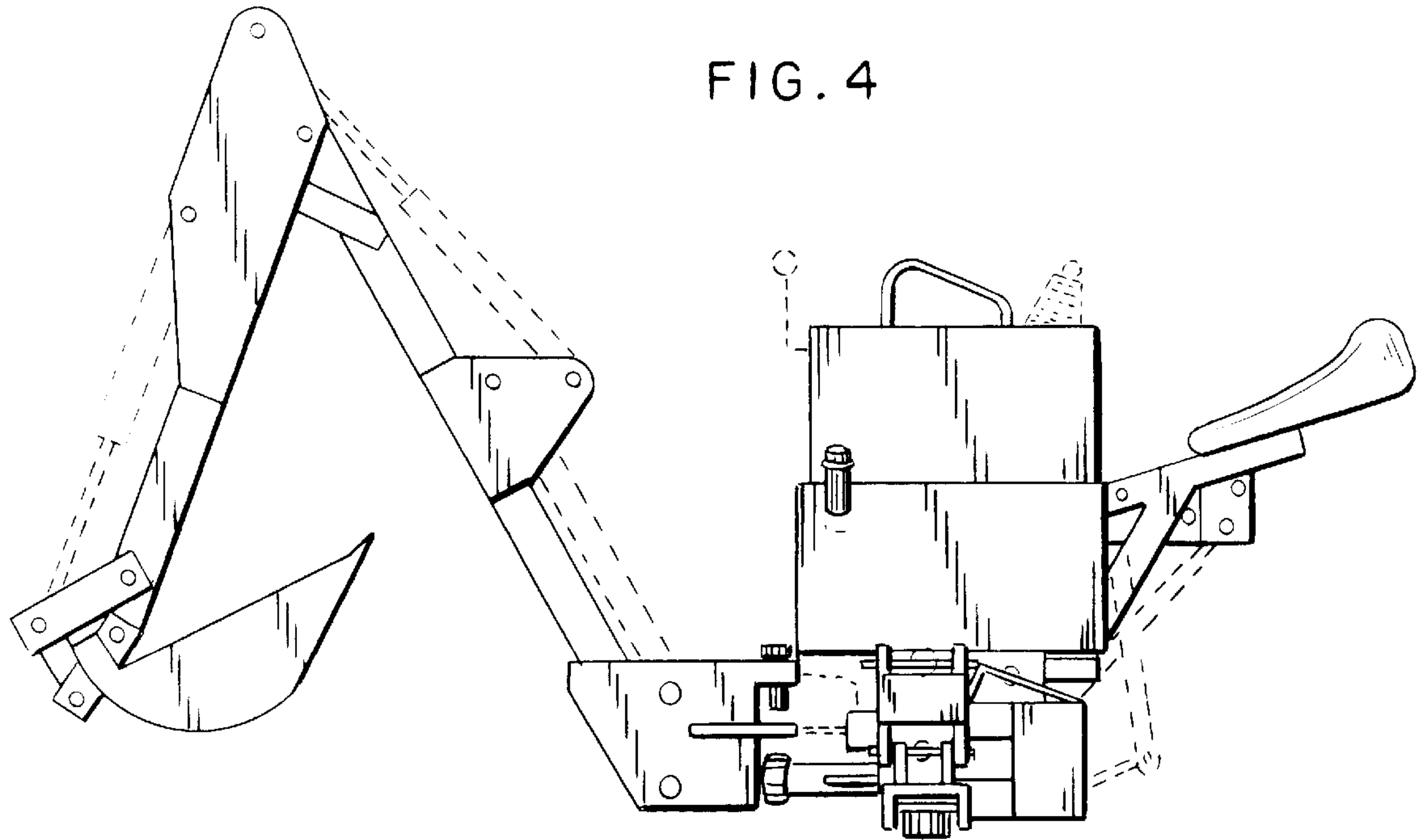


FIG. 1





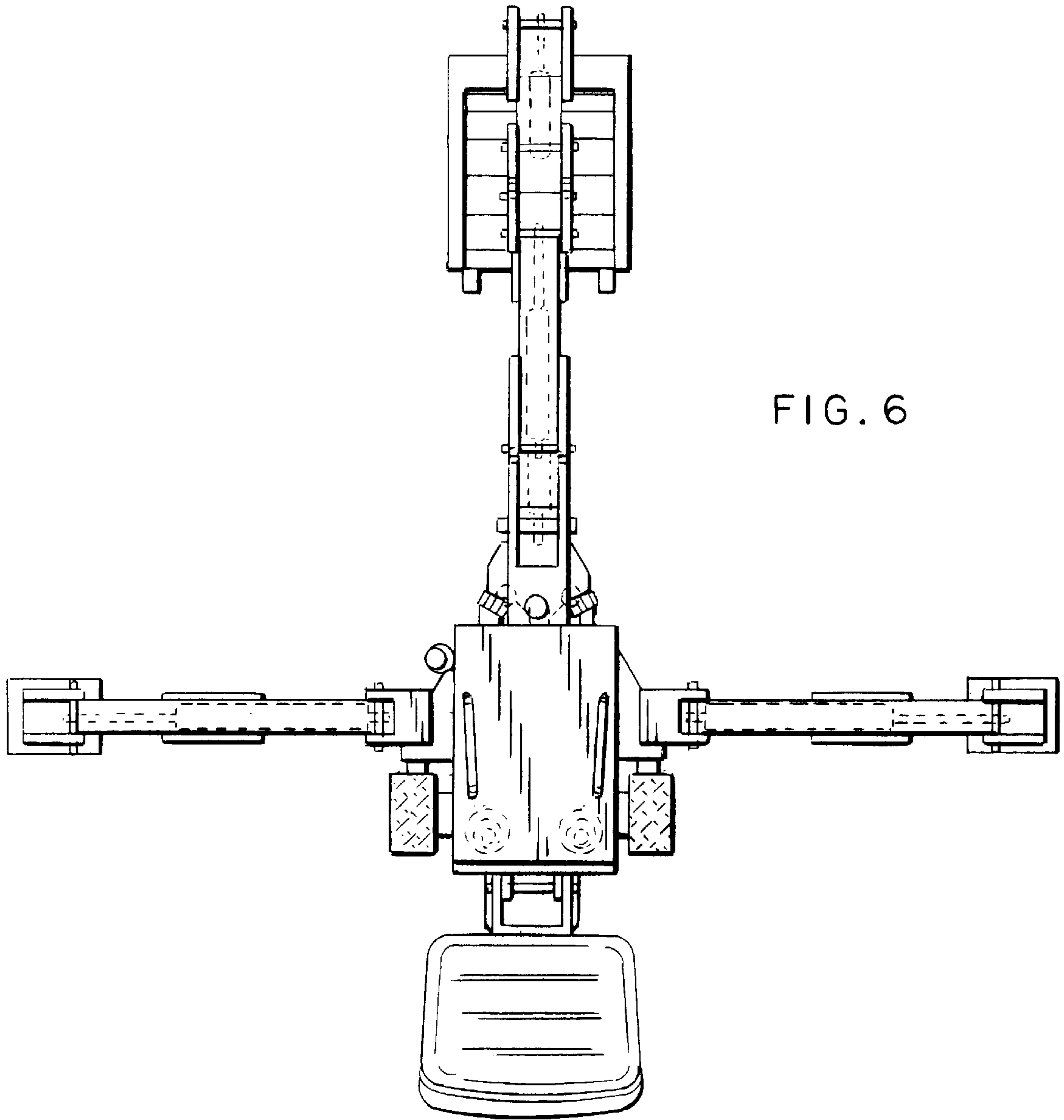


FIG. 6

