



US00D410930S

**United States Patent** [19]  
**Kim et al.**

[11] **Patent Number: Des. 410,930**  
[45] **Date of Patent: \*\* Jun. 15, 1999**

[54] **WHEEL LOADER**

4,329,109 5/1982 Den Bleyker ..... 414/685  
5,199,196 4/1993 Straley ..... 37/442

[75] Inventors: **Hyung Roh Kim**, Seongnam; **Seung Kyung Kim**, Seoul, both of Rep. of Korea

**OTHER PUBLICATIONS**

Progressive Farmer, p. 129. Kubota Tractor, Mar. 1993.

[73] Assignee: **Samsung Heavy Industries Co., Ltd.**, Rep. of Korea

*Primary Examiner*—Sandra L. Morris  
*Attorney, Agent, or Firm*—Harness, Dickey & Pierce, P.L.C.

[\*\*] Term: **14 Years**

[57] **CLAIM**

[21] Appl. No.: **29/064,649**

The ornamental design for a wheel loader, as shown and described.

[22] Filed: **Dec. 23, 1996**

**DESCRIPTION**

[30] **Foreign Application Priority Data**

Nov. 20, 1996 [KR] Rep. of Korea ..... 9624485

FIG. 1 is a perspective view of a wheel loader according to the present invention;  
FIG. 2 is a front view of the wheel loader shown in FIG. 1;  
FIG. 3 is a rear view of the wheel loader shown in FIG. 1;  
FIG. 4 is a left side view of the wheel loader shown in FIG. 1;  
FIG. 5 is a right side view of the wheel loader shown in FIG. 1 design;  
FIG. 6 is a top plan view of the wheel loader shown in FIG. 1; and,  
FIG. 7 is a bottom view of the wheel loader shown in FIG. 1.

[51] **LOC (6) Cl.** ..... **15-04**

[52] **U.S. Cl.** ..... **D15/25**

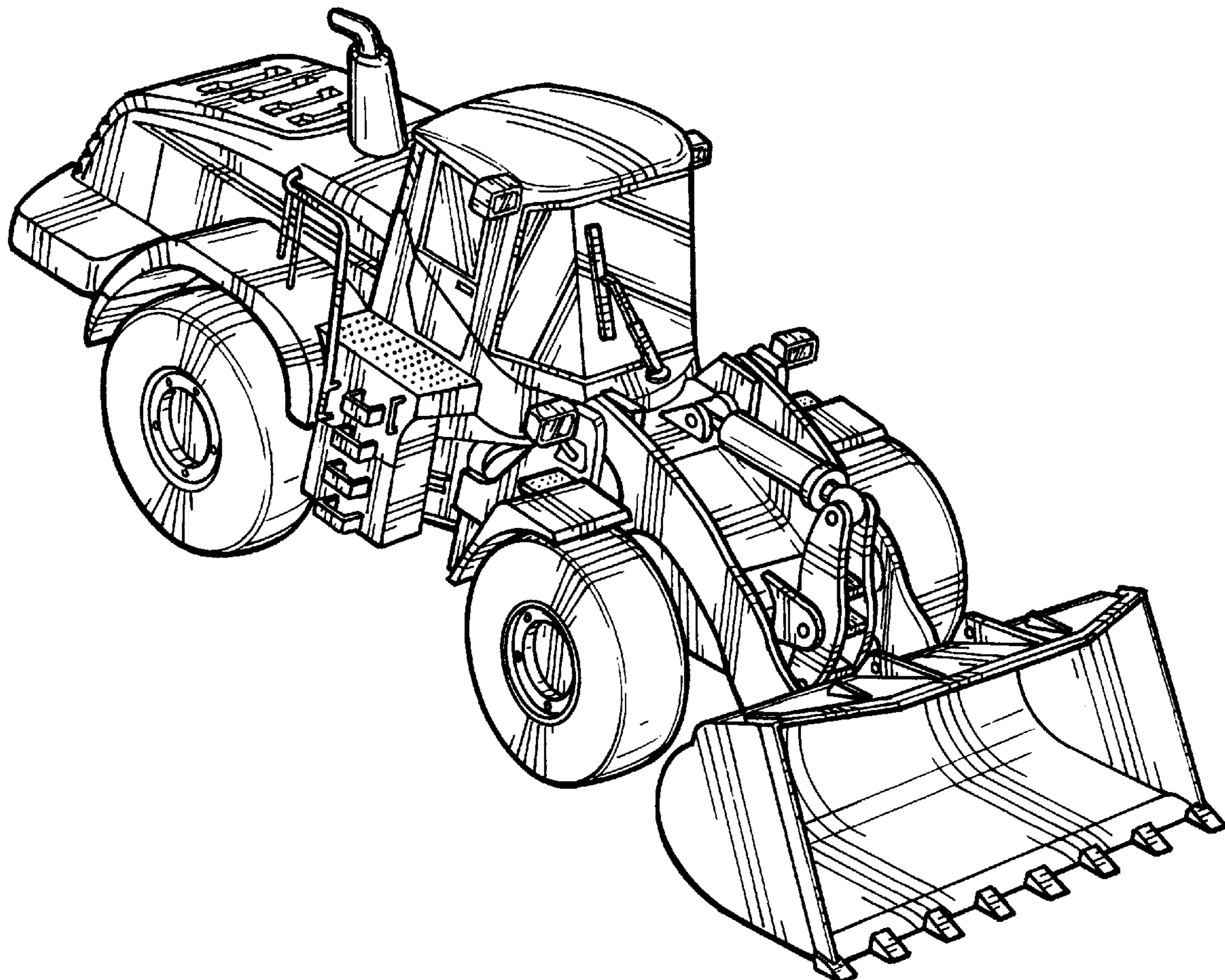
[58] **Field of Search** ..... D15/10, 22-26;  
37/435, 442, 443; 414/685

[56] **References Cited**

**U.S. PATENT DOCUMENTS**

- D. 326,858 6/1992 Skeel et al. .... D15/25
- D. 358,157 5/1995 Kunsunoki et al. .... D15/25
- D. 361,576 8/1995 Matsubara et al. .... D15/25

**1 Claim, 6 Drawing Sheets**



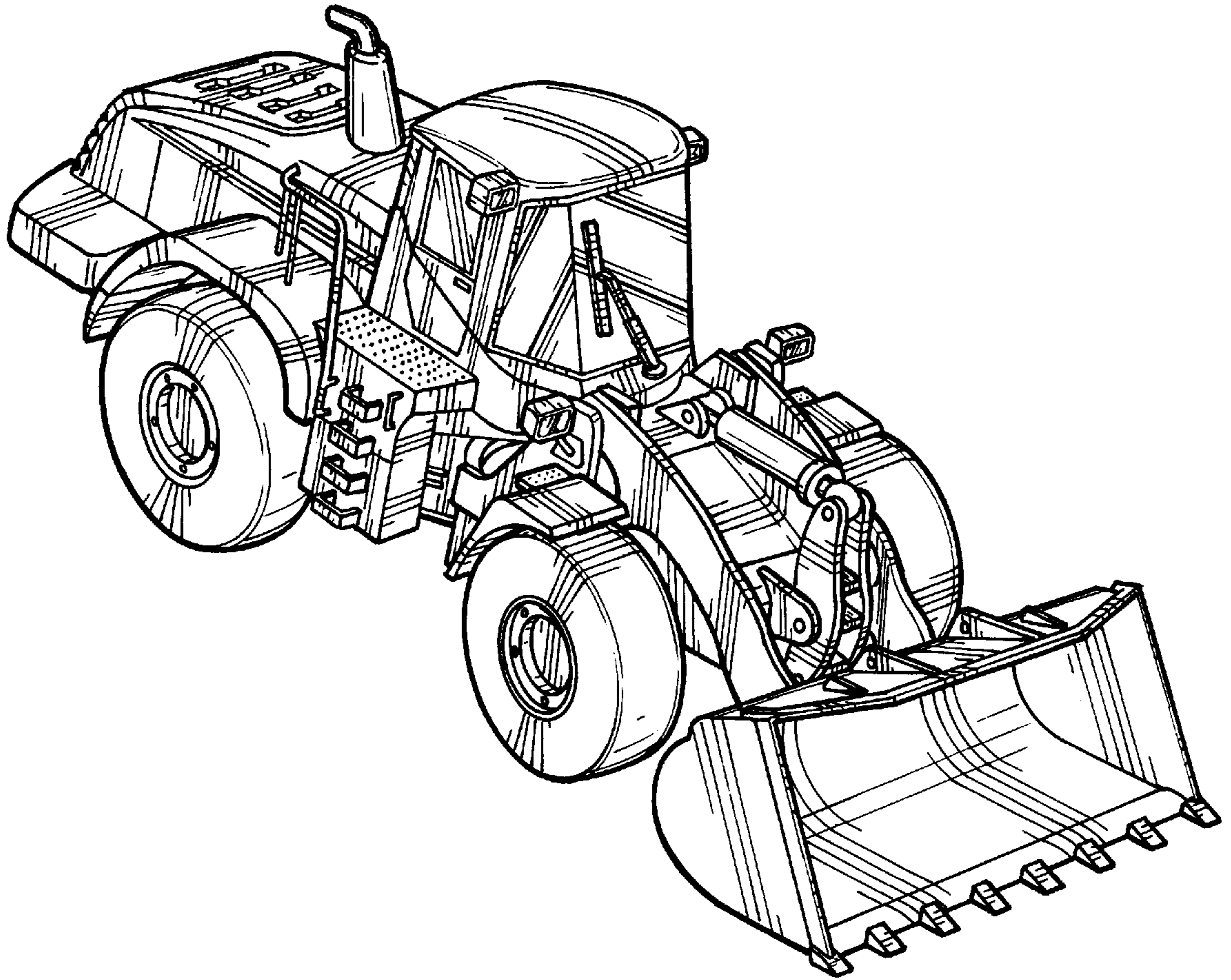


Fig-1

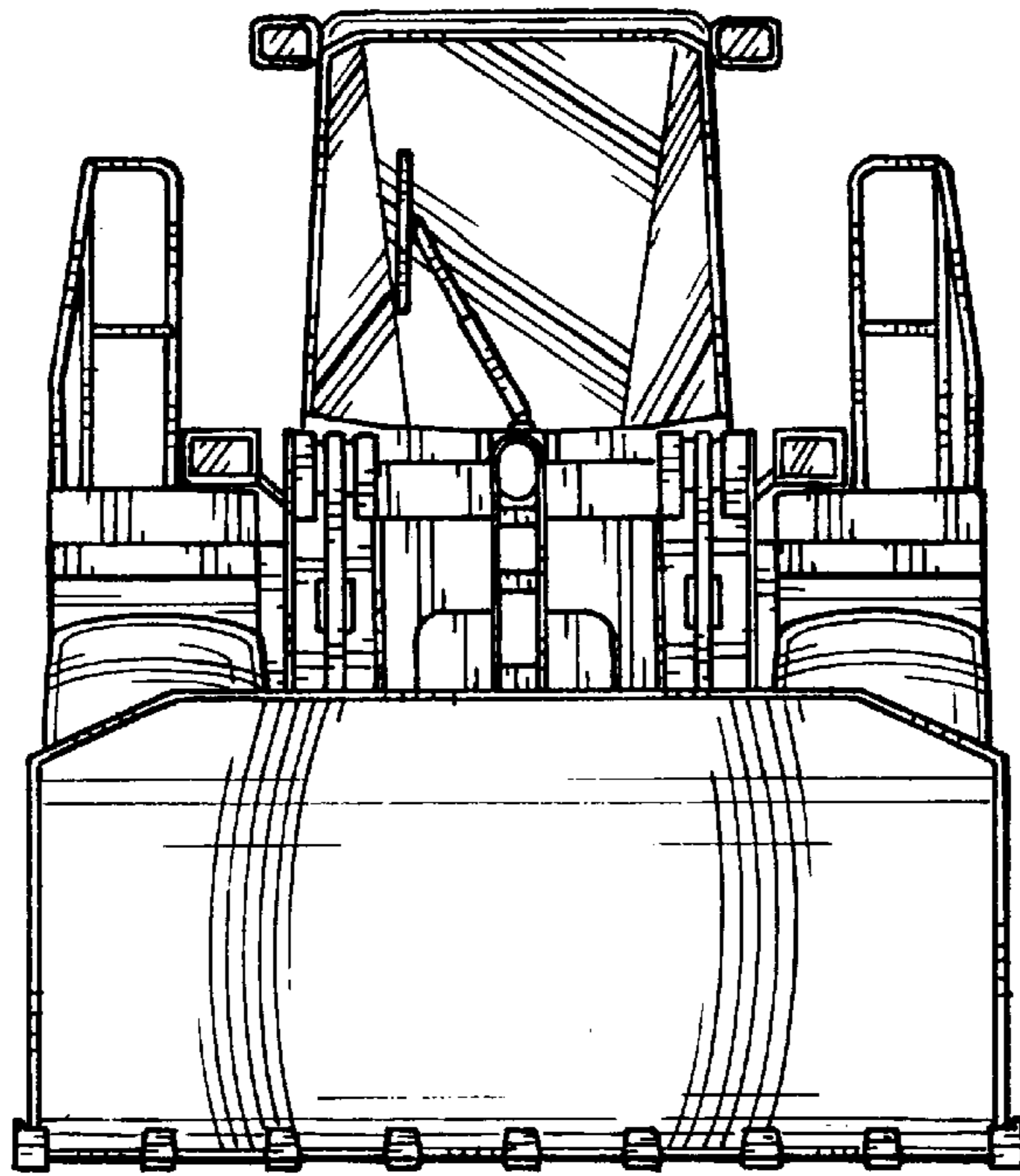


Fig-2

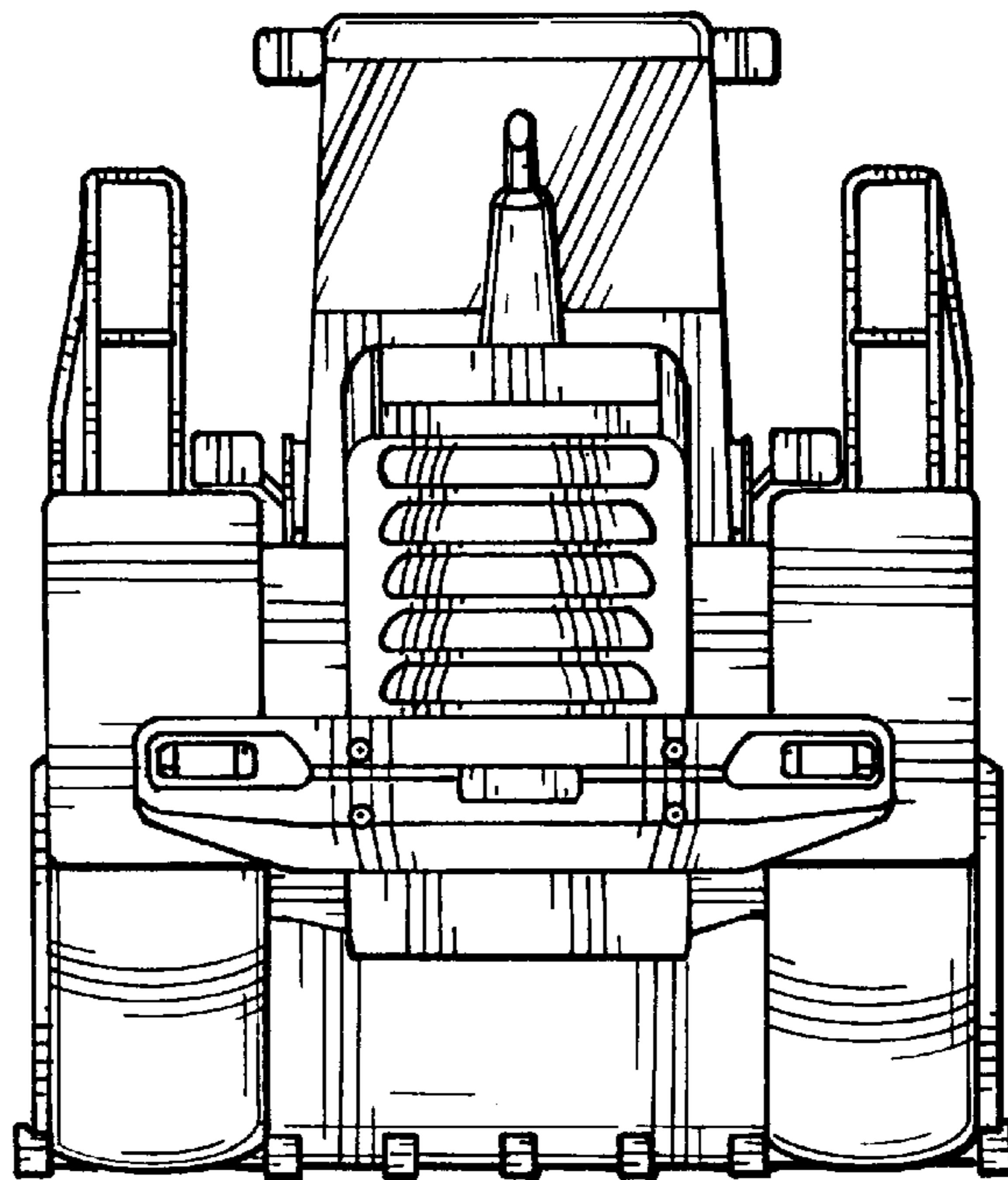


Fig-3



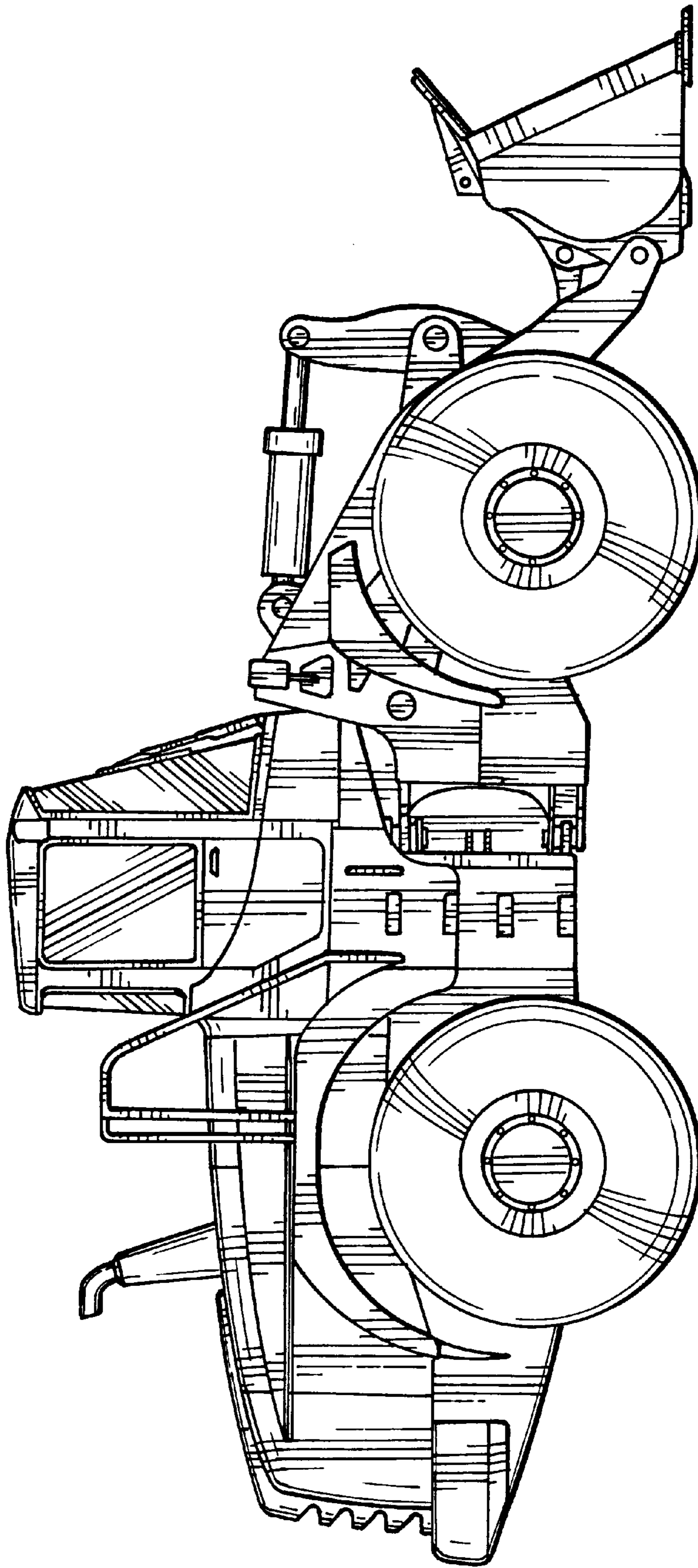


Fig-4

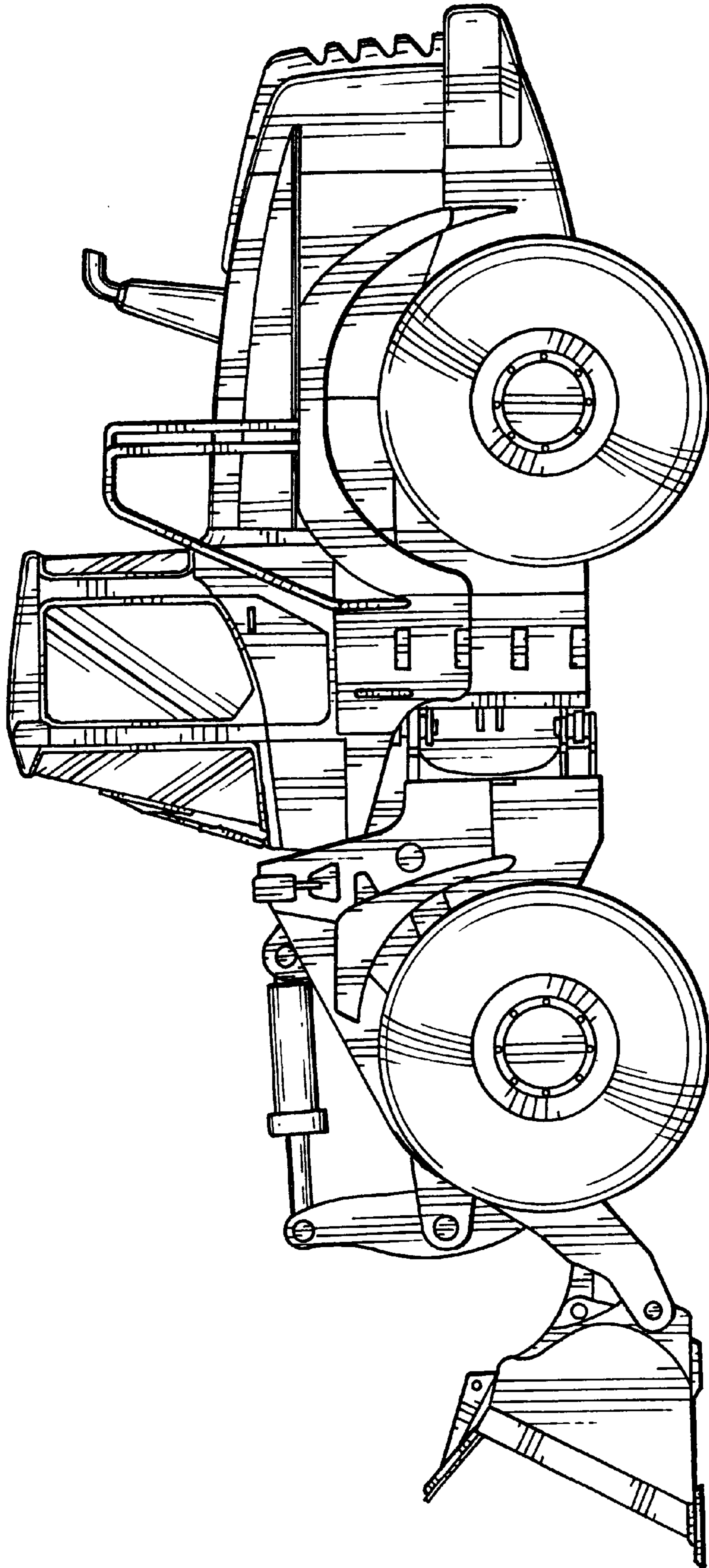


Fig-5

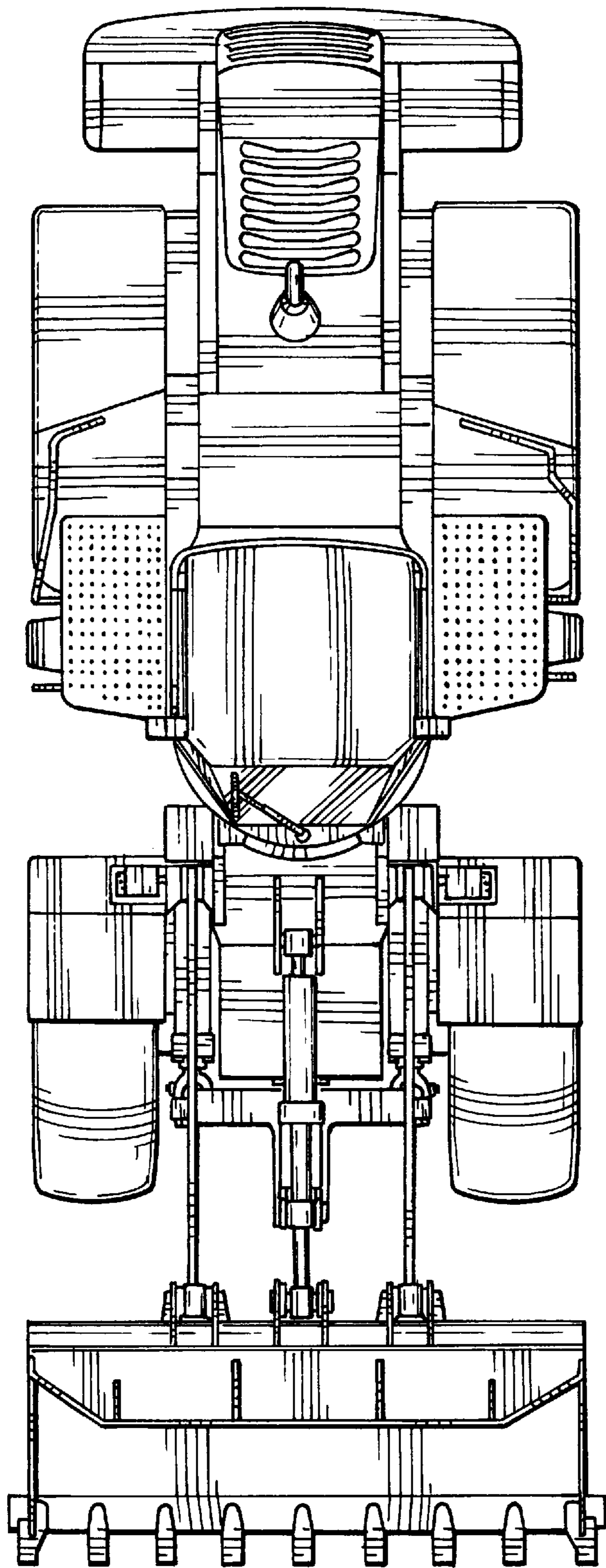


Fig-6

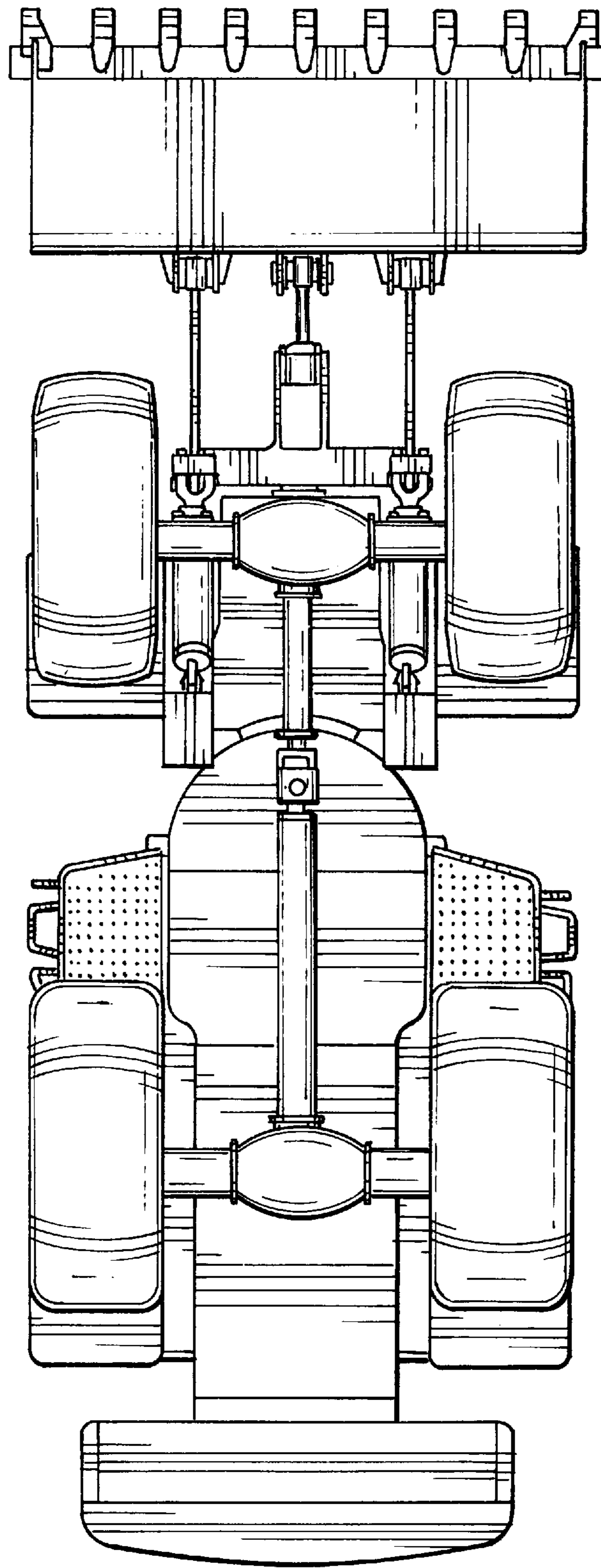


Fig-7