



US00D410929S

United States Patent [19]

[11] **Patent Number: Des. 410,929**

Nagele et al.

[45] **Date of Patent: ** Jun. 15, 1999**

[54] **TOP HOUSING FOR A FOLDABLE PORTABLE TELEPHONE**

5,493,690 2/1996 Shimazaki 455/575

[75] Inventors: **Albert Leo Nagele**, Wilmette; **Leonid Soren**, Lincolnwood; **Brian Jon Hassemer**, Gurnee; **James Dennis Domoleczny, Sr.**, Lindenhurst, all of Ill.

FOREIGN PATENT DOCUMENTS

2-274046 11/1990 Japan D14/147 X
6-152459 5/1994 Japan 455/90 X

[73] Assignee: **Motorola, Inc.**, Schaumburg, Ill.

Primary Examiner—Jeffrey Asch
Attorney, Agent, or Firm—Kevin D. Kaschke

[**] Term: **14 Years**

[57] CLAIM

[21] Appl. No.: **29/085,424**

The ornamental design for a top housing for a foldable portable telephone, as shown and described.

[22] Filed: **Mar. 23, 1998**

DESCRIPTION

Related U.S. Application Data

[60] Division of application No. 29/046,674, Oct. 20, 1995, abandoned, which is a continuation-in-part of application No. 29/038,662, May 9, 1995, Pat. No. Des. 369,598, and application No. 29/038,668, May 9, 1995, Pat. No. Des. 385,873, which is a continuation-in-part of application No. 29/022,037, Mar. 7, 1994, Pat. No. Des. 359,734.

FIG. 1 is a top, front and left side perspective view of a top housing for a foldable portable telephone showing our new design in an open position;

[51] **LOC (6) Cl.** **14-03**

[52] **U.S. Cl.** **D14/248**

[58] **Field of Search** D14/137, 138, D14/140, 142, 147, 148, 240, 248; 379/433, 434, 419, 420, 428, 440; 455/90, 550-575

FIG. 2 is a top, front and left side perspective view thereof showing our new design in a closed position;

FIG. 3 is a rear side elevation view thereof showing our new design in the closed position;

FIG. 4 is a rear side elevation view thereof showing our new design in the open position;

[56] References Cited

U.S. PATENT DOCUMENTS

- D. 304,189 10/1989 Nagele et al. D14/147
- D. 345,158 3/1994 Namba et al. D14/138
- D. 346,164 4/1994 Shirakama et al. D14/138
- D. 347,221 5/1994 Siddoway D14/138
- D. 363,281 10/1995 Buhrmann D14/248 X
- D. 369,598 5/1996 Nagele et al. D14/138
- D. 379,983 6/1997 Shindou D14/147 X
- D. 382,556 8/1997 Jeong D14/138
- D. 385,873 11/1997 Nagele et al. D14/138
- D. 389,477 1/1998 Tabankin et al. D14/138
- D. 393,856 4/1998 Lee et al. D14/138
- 4,018,998 4/1977 Wegner 379/433 X
- 5,027,394 6/1991 Ono et al. 379/434
- 5,493,604 2/1996 Hirayama 455/564

FIG. 5 is a right side elevation view thereof showing our new design in the closed position, the left side elevation view thereof showing our new design in the closed position being a mirror image of the right side elevation view thereof showing our new design in the closed position;

FIG. 6 is a right side elevation view thereof showing our new design in the open position, the left side elevation view thereof showing our new design in the open position being a mirror image of the right side elevation view thereof showing our new design in the open position;

FIG. 7 is a bottom side plan view thereof showing our new design in the closed position;

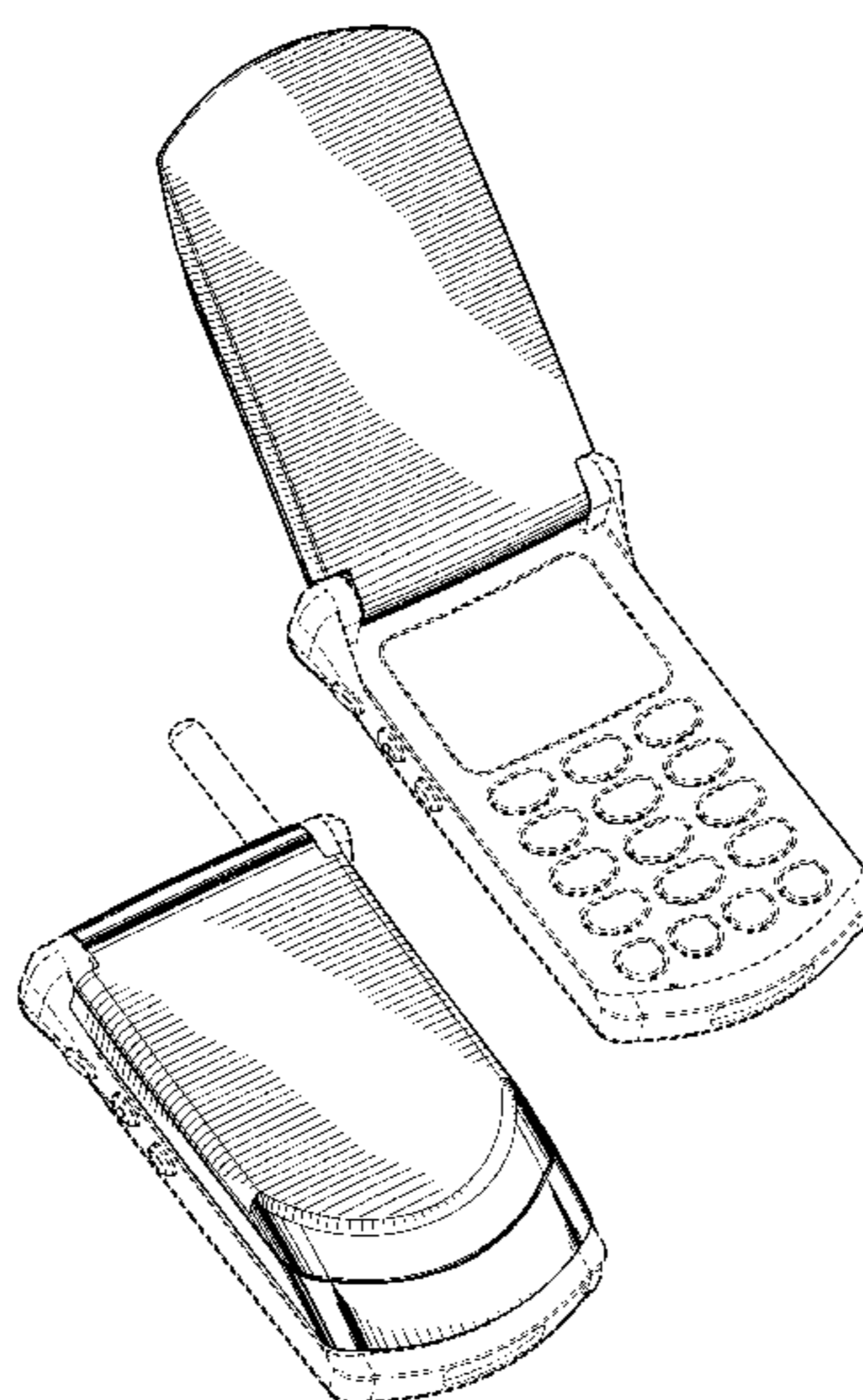
FIG. 8 is a bottom side plan view thereof showing our new design in the open position;

FIG. 9 is a front side elevation view thereof showing our new design in the closed position; and,

FIG. 10 is a front side elevation view thereof showing our new design in the open position.

The broken line matter in all figures is for illustrative purposes only and forms no part of the claimed design.

1 Claim, 4 Drawing Sheets



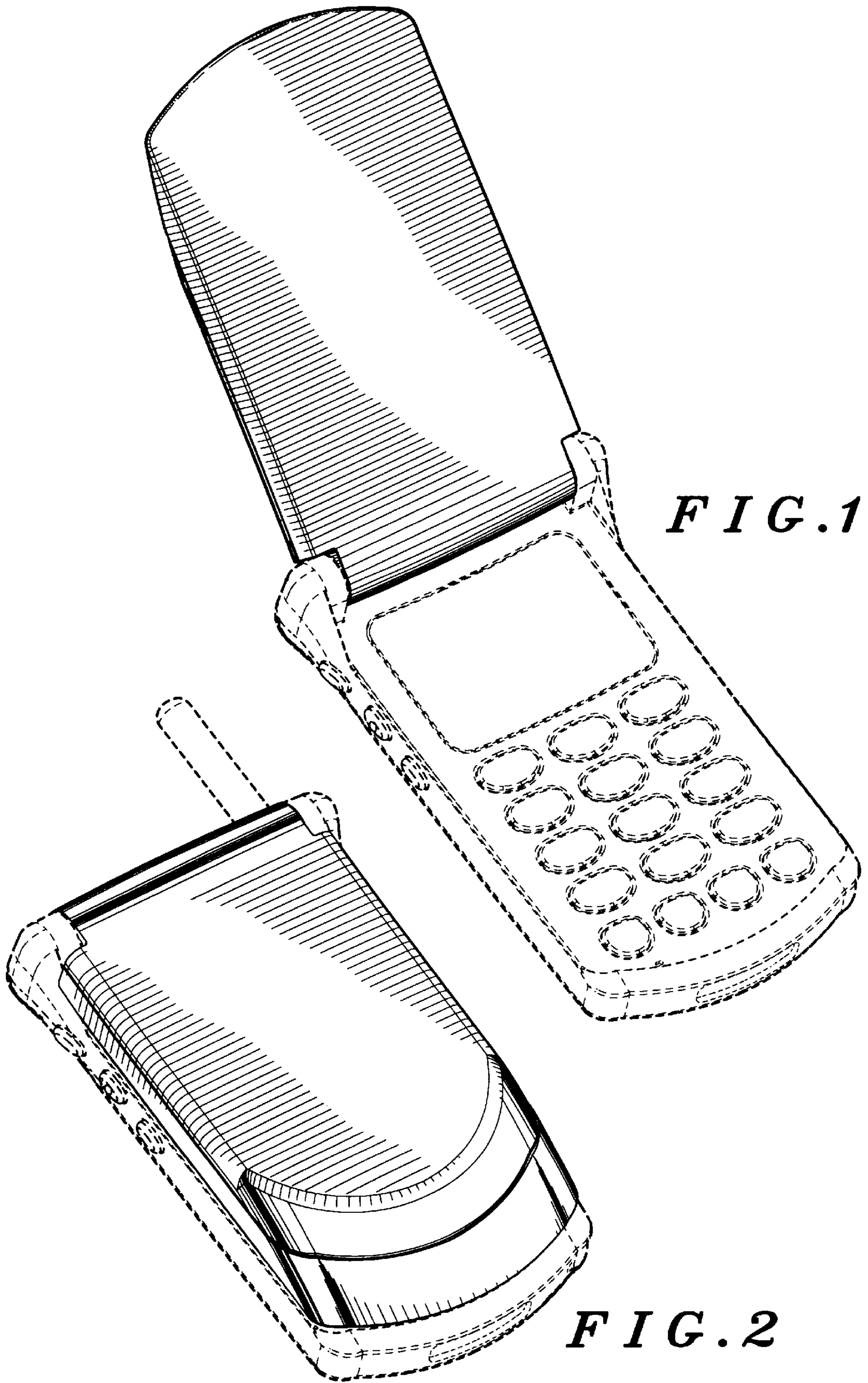


FIG. 1

FIG. 2

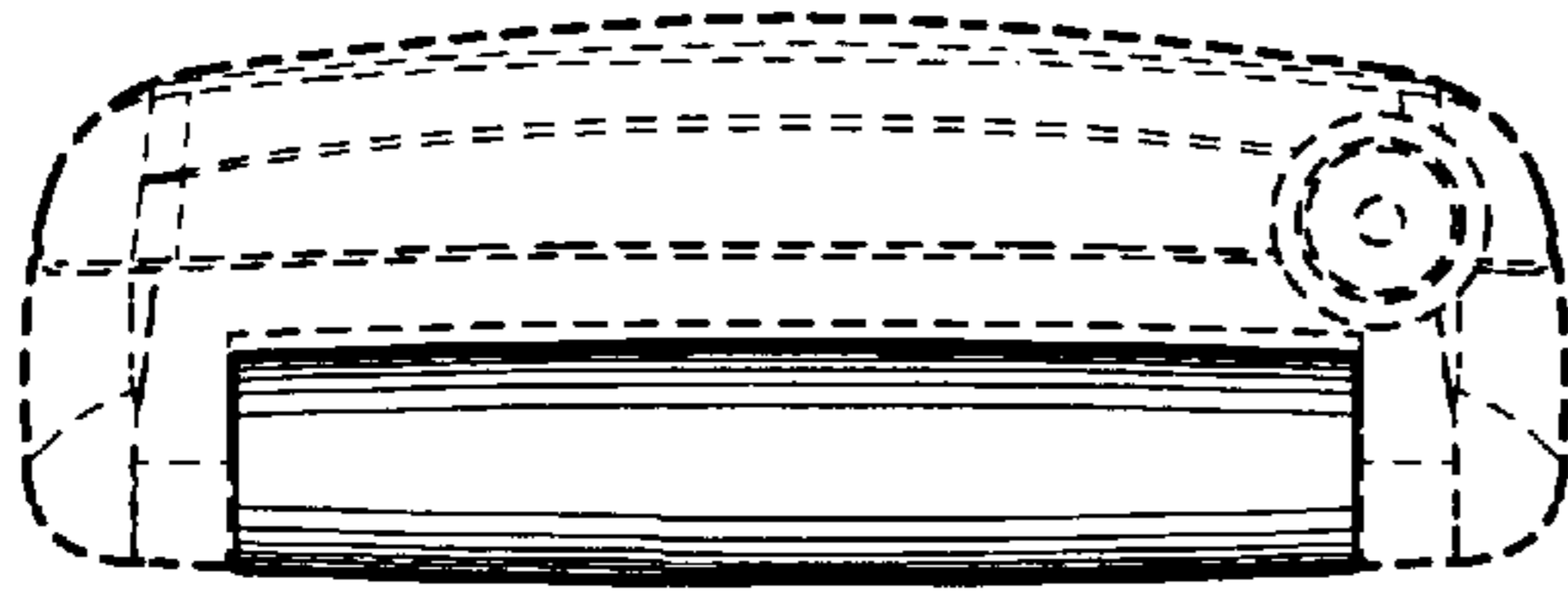


FIG. 3

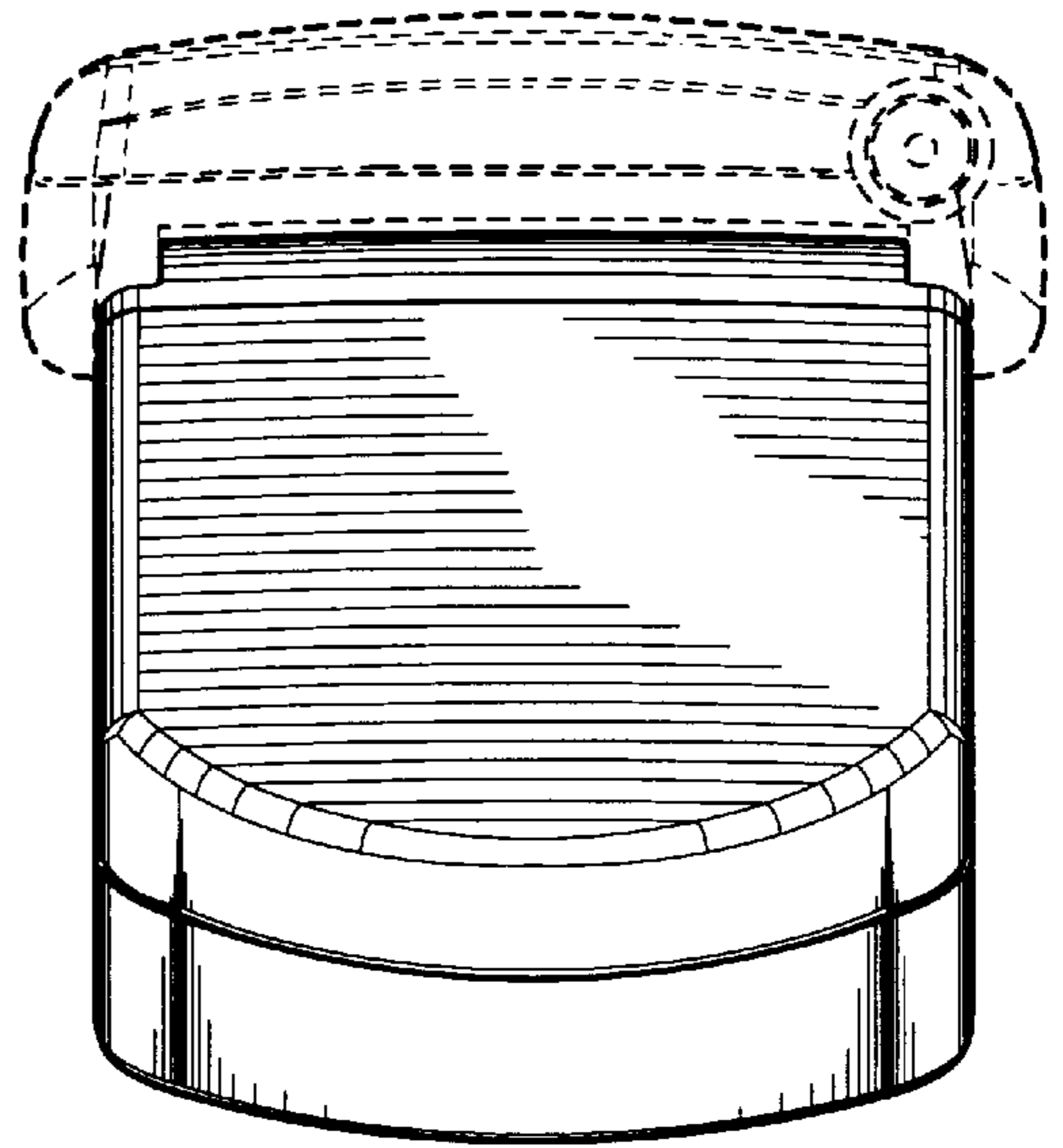


FIG. 4

FIG. 5

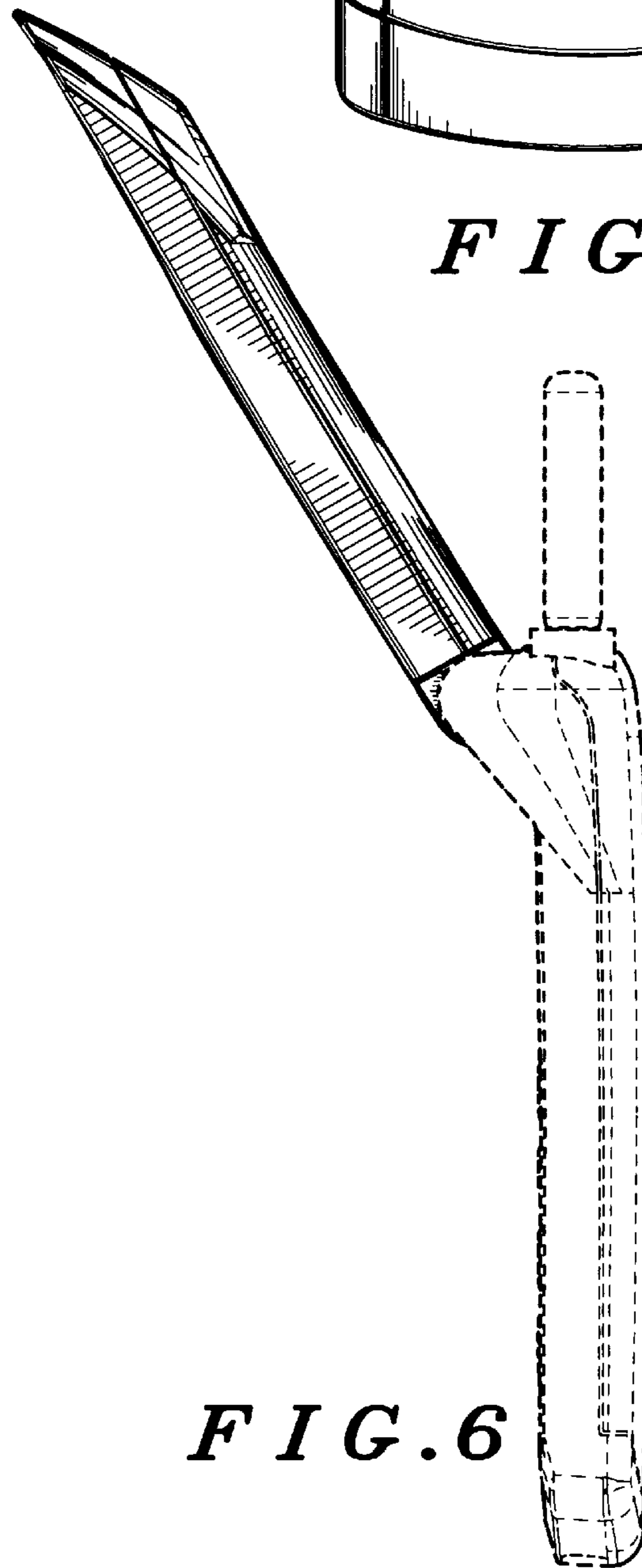


FIG. 6

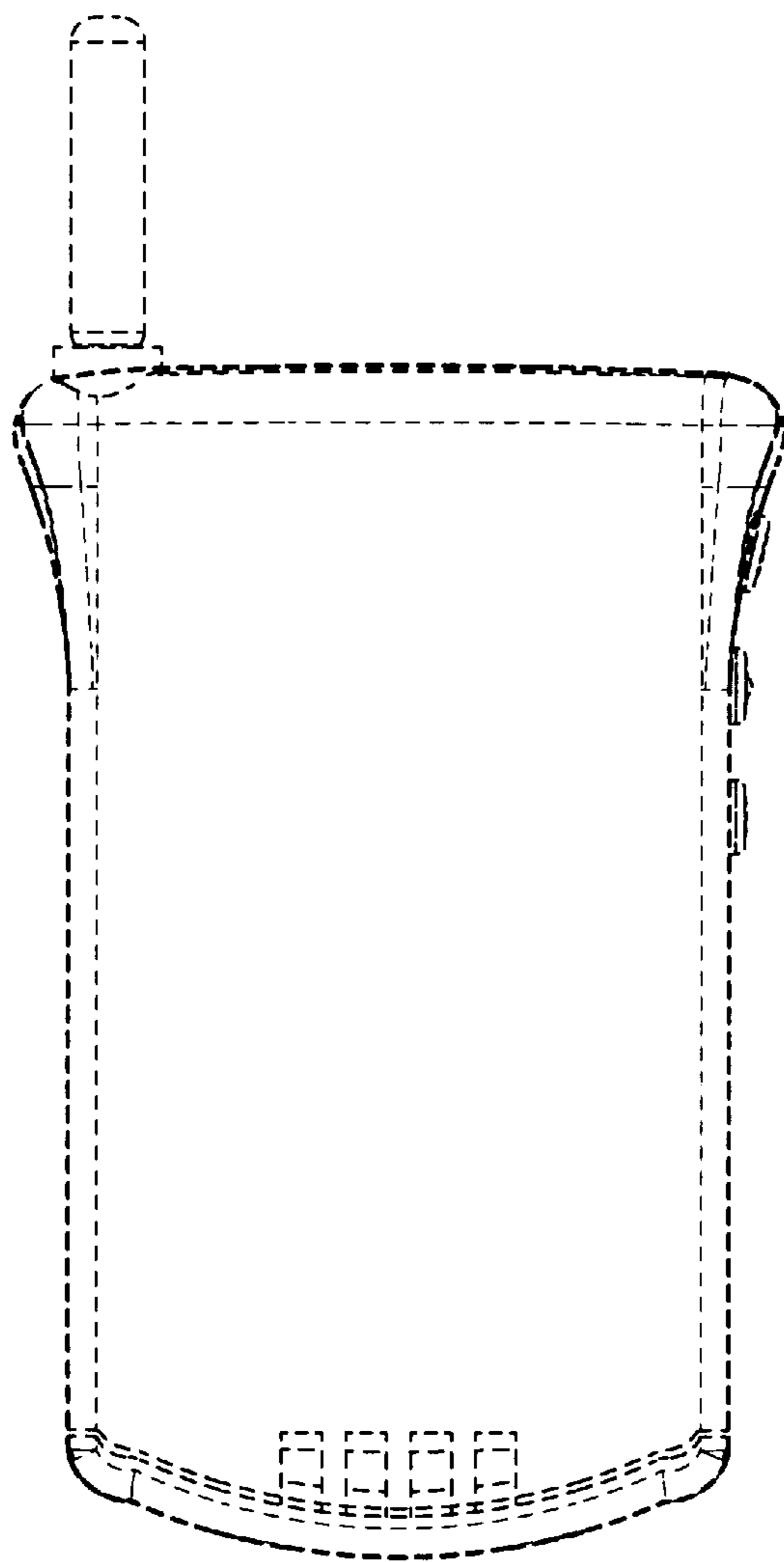


FIG. 7

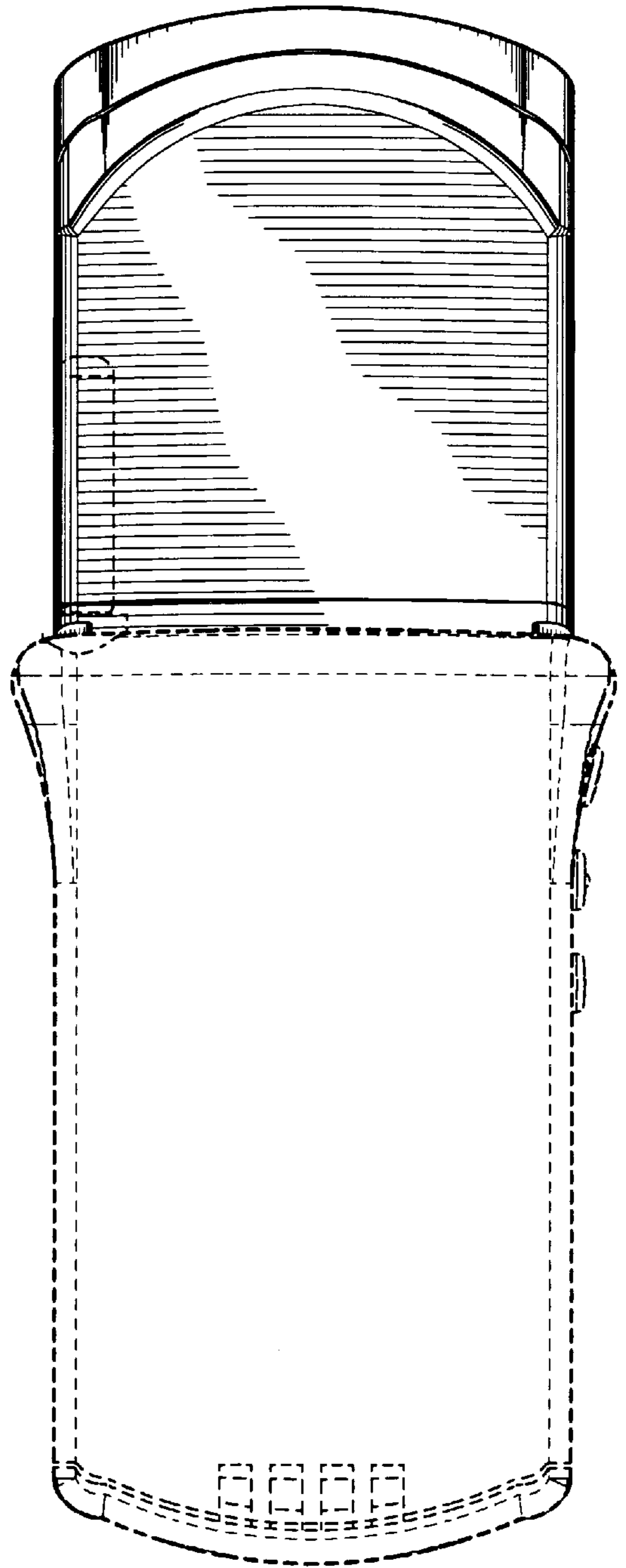


FIG. 8

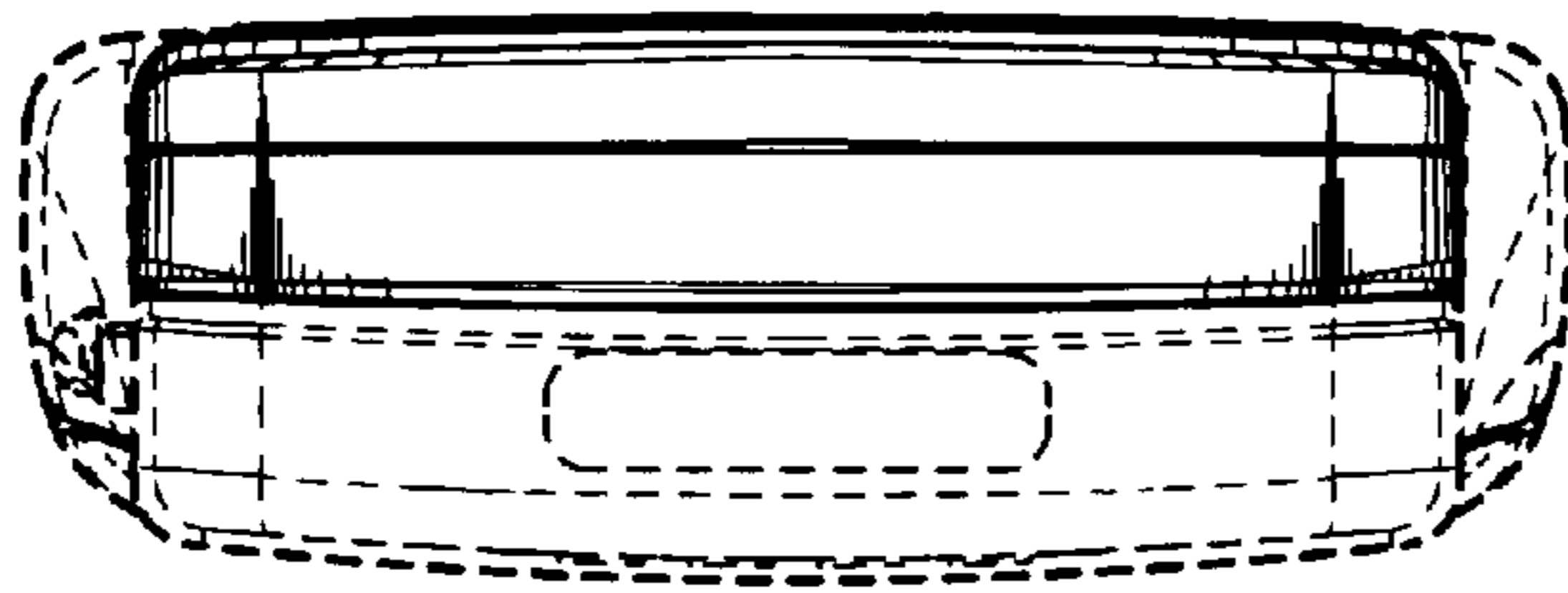


FIG. 9

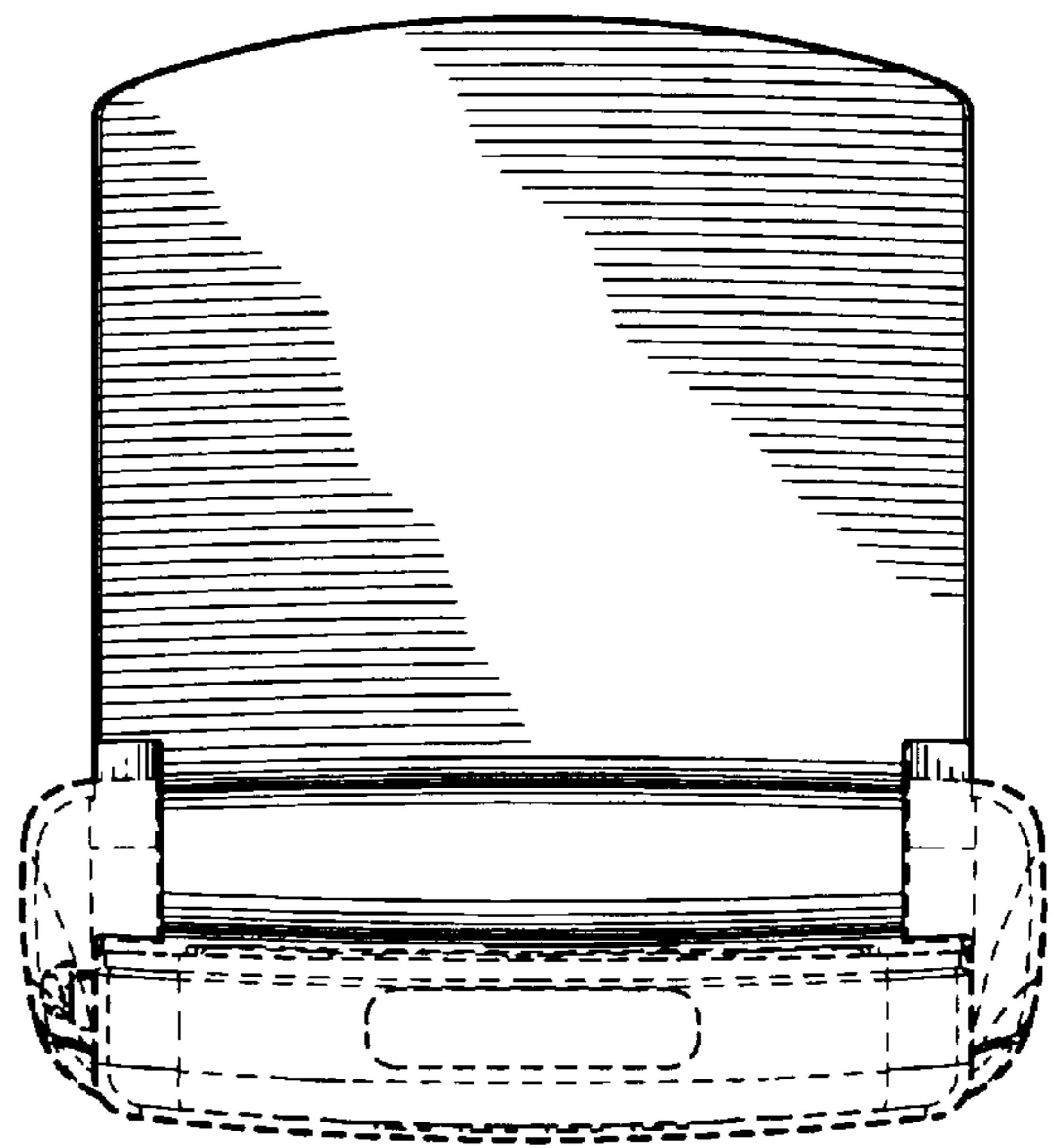


FIG. 10