



US00D410924S

United States Patent [19]

[11] Patent Number: **Des. 410,924**

Hisatsune et al.

[45] Date of Patent: **** Jun. 15, 1999**

[54] **TAPE PLAYER**

Attorney, Agent, or Firm—Foley & Lardner

[75] Inventors: **Toshiyuki Hisatsune; Kazuo Yamada,**
both of Tokyo, Japan

[57] **CLAIM**

The ornamental design for a tape player, as shown and described.

[73] Assignee: **Sony Corporation,** Tokyo, Japan

[**] Term: **14 Years**

DESCRIPTION

[21] Appl. No.: **29/079,492**

FIG. 1 is a perspective view of a first embodiment of a tape player showing our new design;

[22] Filed: **Nov. 17, 1997**

FIG. 2 is a front elevational view thereof;

[51] **LOC (6) Cl. 14-01**

FIG. 3 is a bottom plan view thereof;

[52] **U.S. Cl. D14/166**

FIG. 4 is a right side elevational view thereof;

[58] **Field of Search D14/135, 160-167;**
360/71, 79, 83, 90, 95

FIG. 5 is a rear elevational view thereof;

FIG. 6 is a top plan view thereof;

[56] **References Cited**

FIG. 7 is a left side elevational view thereof;

U.S. PATENT DOCUMENTS

FIG. 8 is a perspective view of a second embodiment of a tape player showing our new design;

D. 248,393 7/1978 Jenkins D14/166

FIG. 9 is a front elevational view thereof;

D. 325,205 4/1992 Ito et al. D14/166

FIG. 10 is a bottom plan view thereof;

D. 336,904 6/1993 Ito et al. D14/166

FIG. 11 is a right side elevational view thereof; and

3,024,319 3/1962 Roberts et al. D14/166 X

FIG. 12 is a rear elevational view thereof.

3,343,280 9/1967 Tolnai D14/166 X

FIG. 13 is a top plan view thereof; and,

OTHER PUBLICATIONS

FIG. 14 is a left side elevational view thereof.

Product brochure and photographs; Sony model DFP-R2000 (Jan., 1995).

Primary Examiner—Ted Shooman
Assistant Examiner—Nanda Bondade

1 Claim, 6 Drawing Sheets

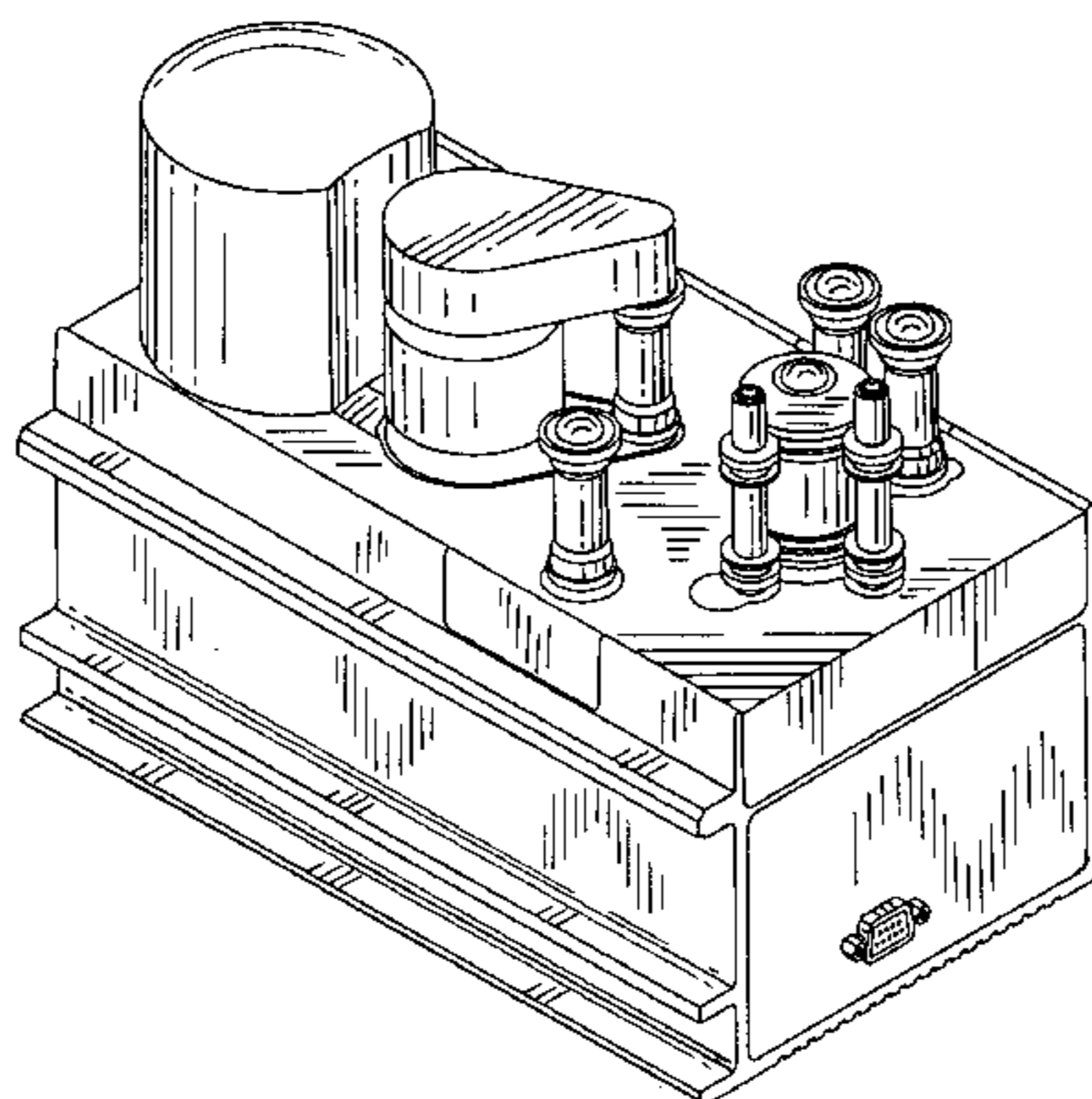
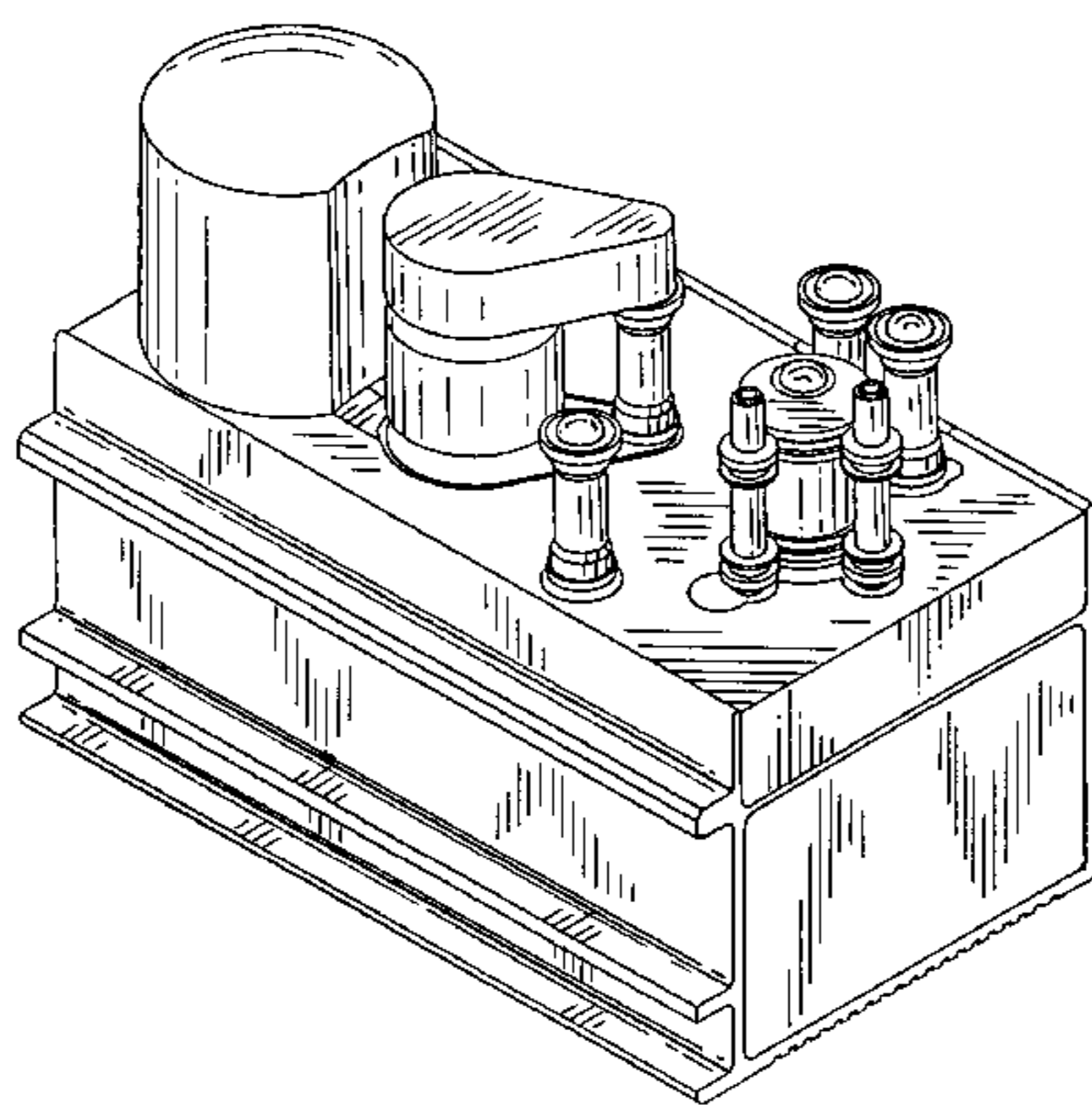


FIG. 1

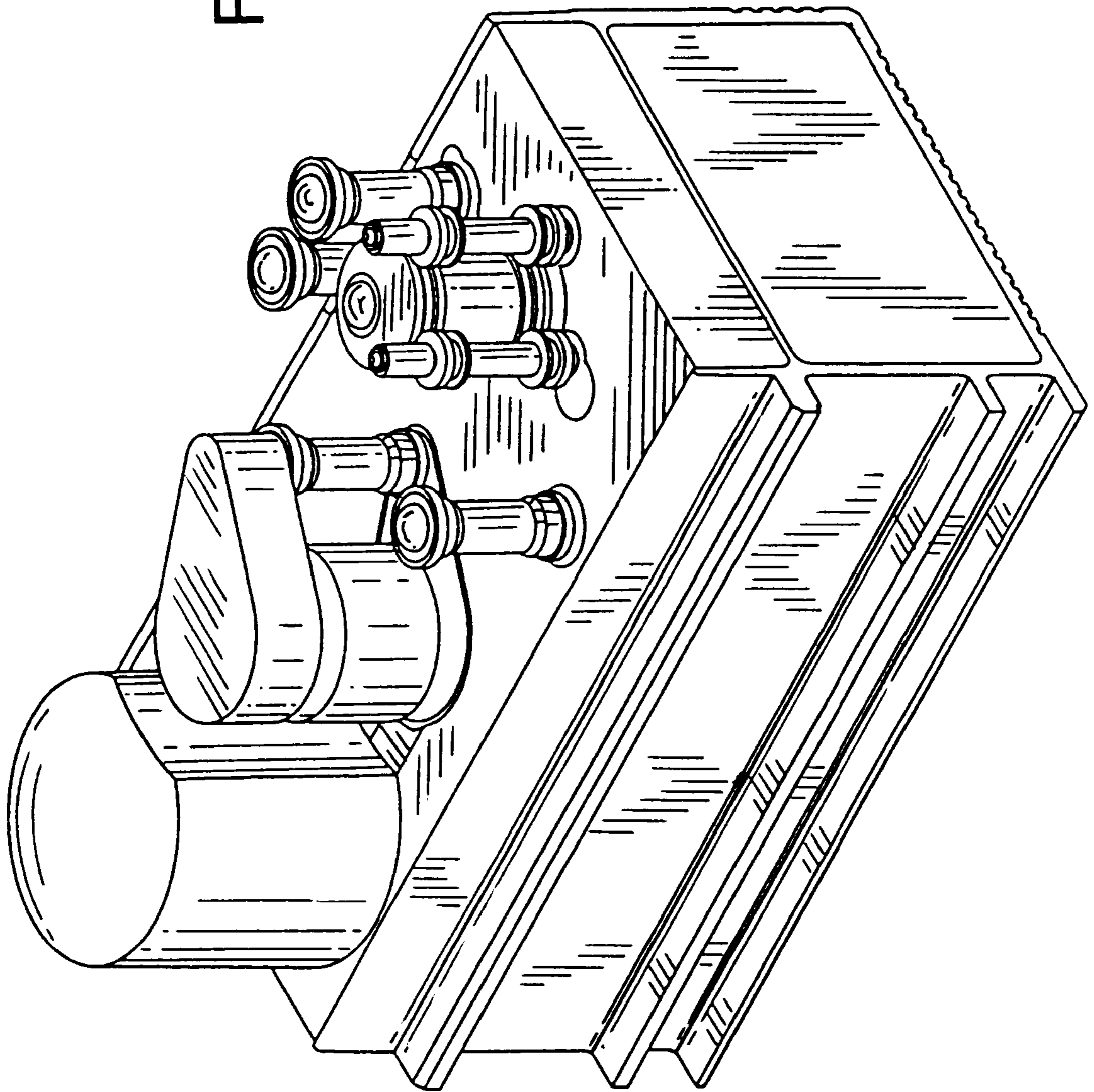


FIG. 4

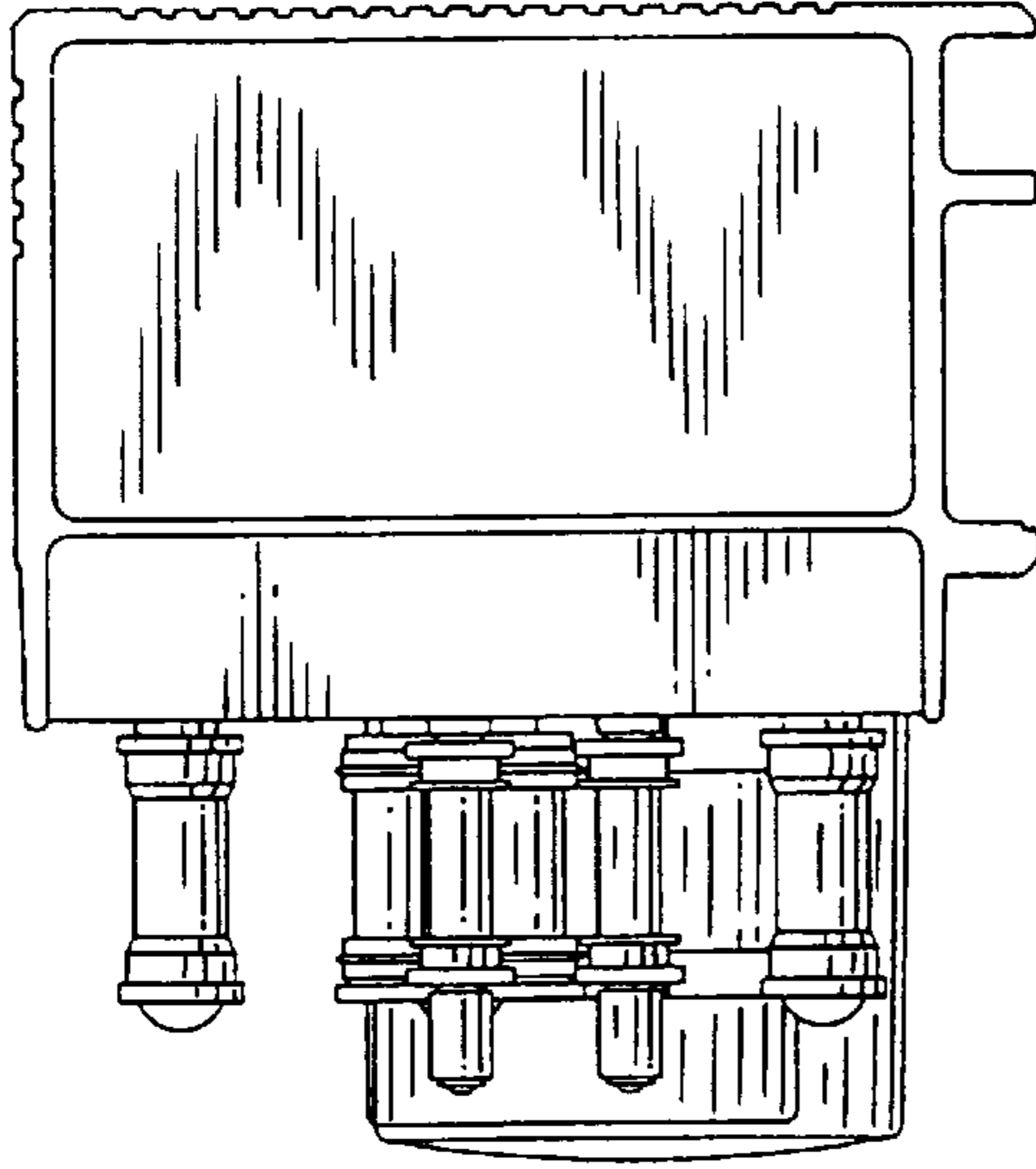


FIG. 2

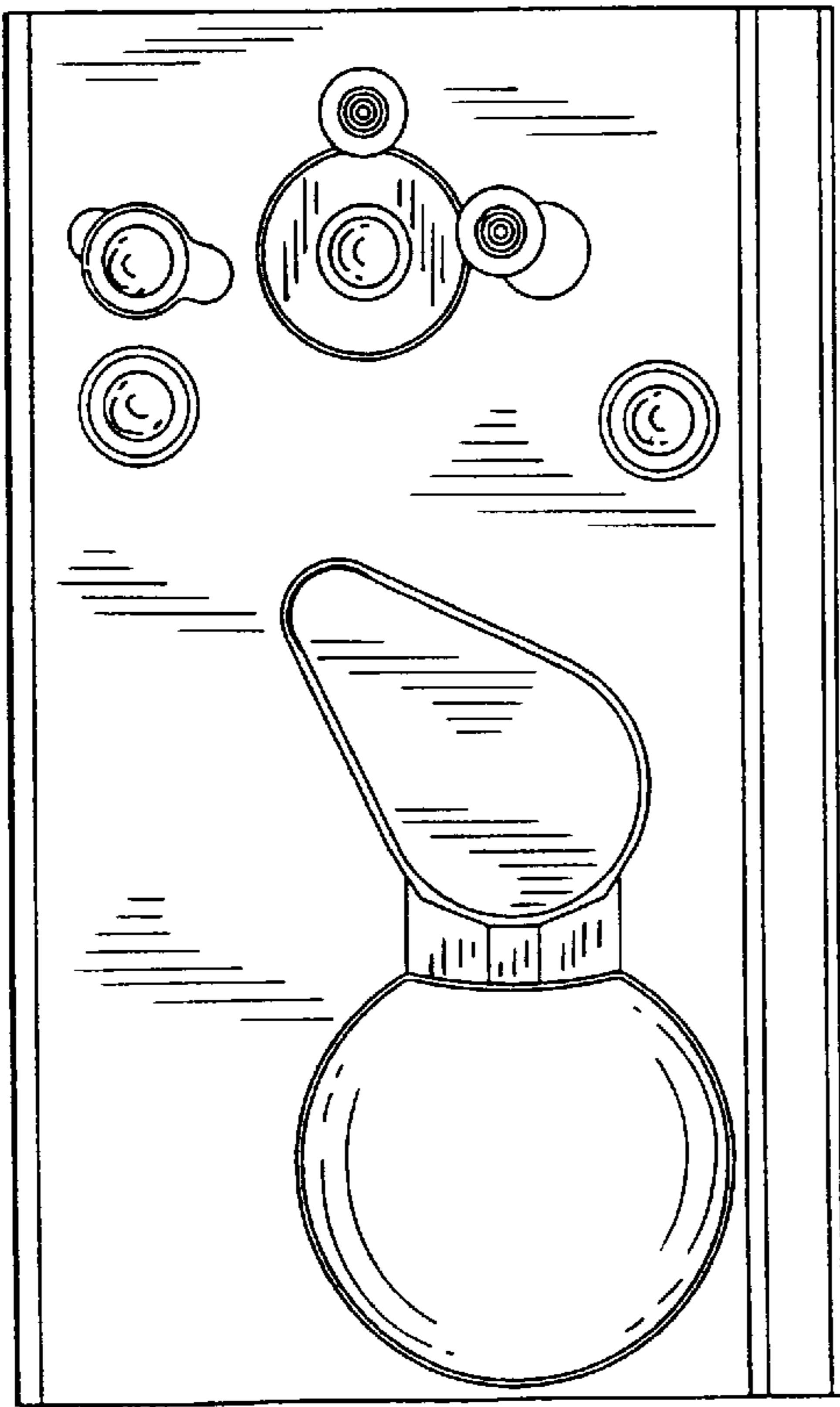


FIG. 3

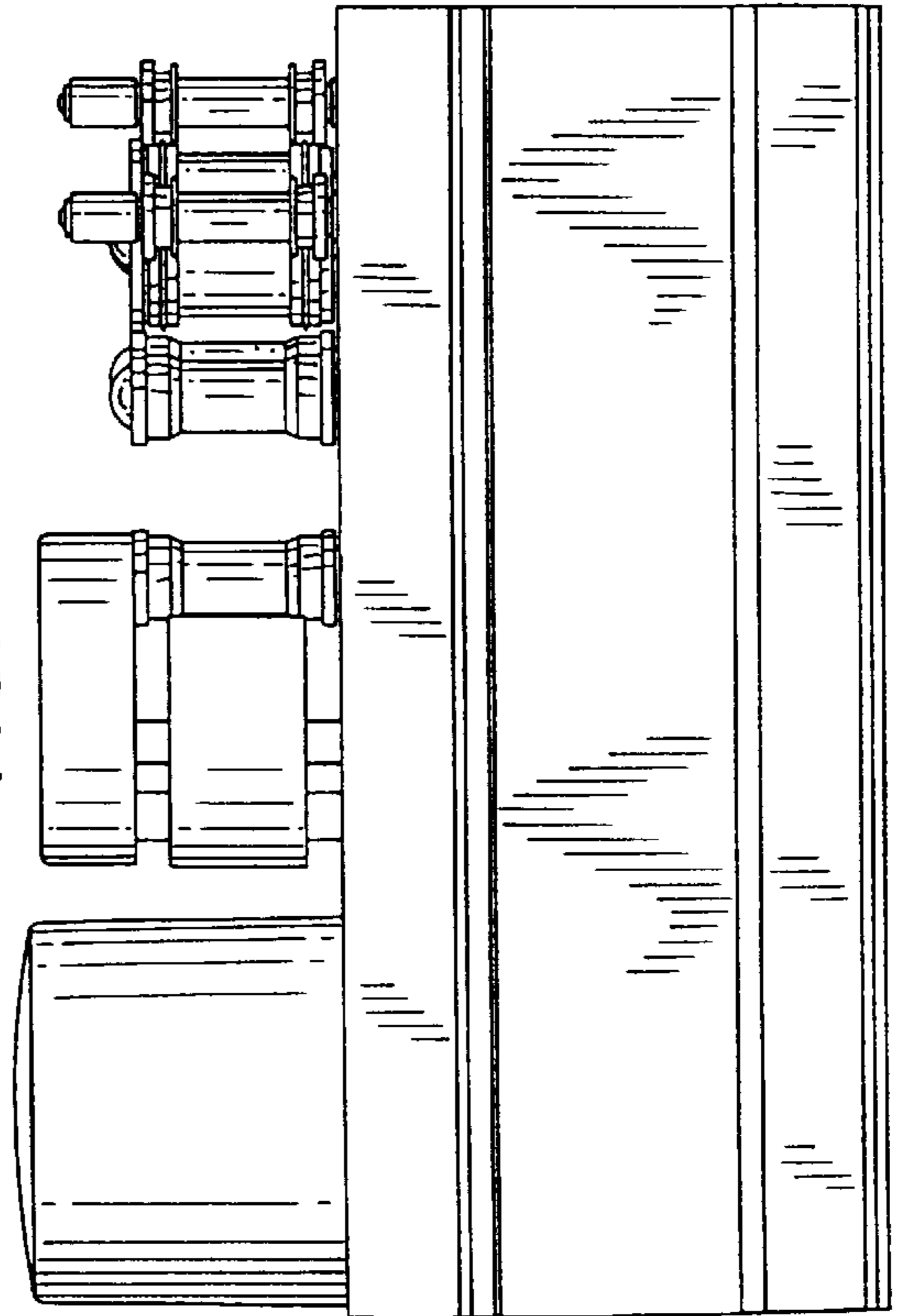


FIG. 7

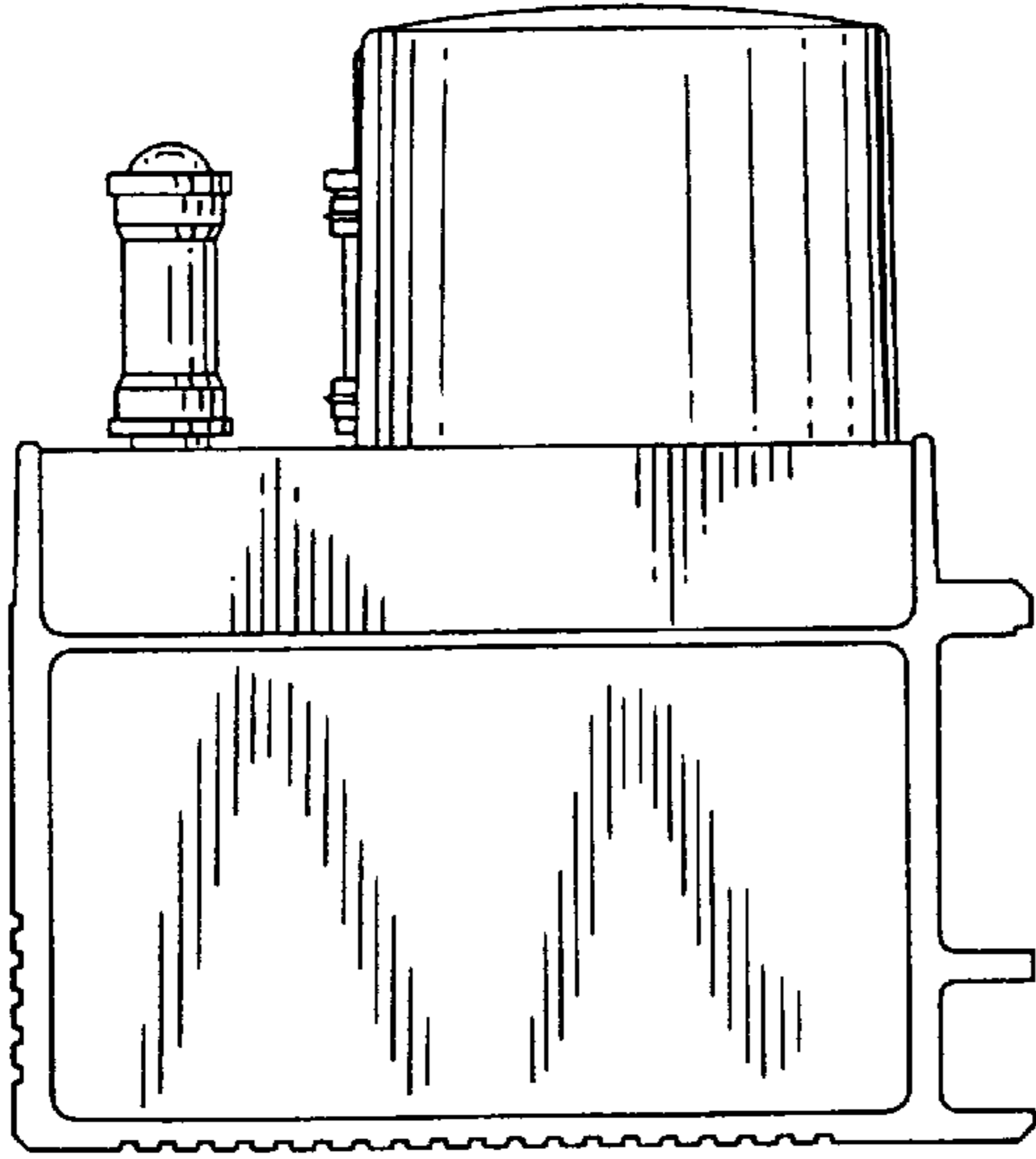


FIG. 5

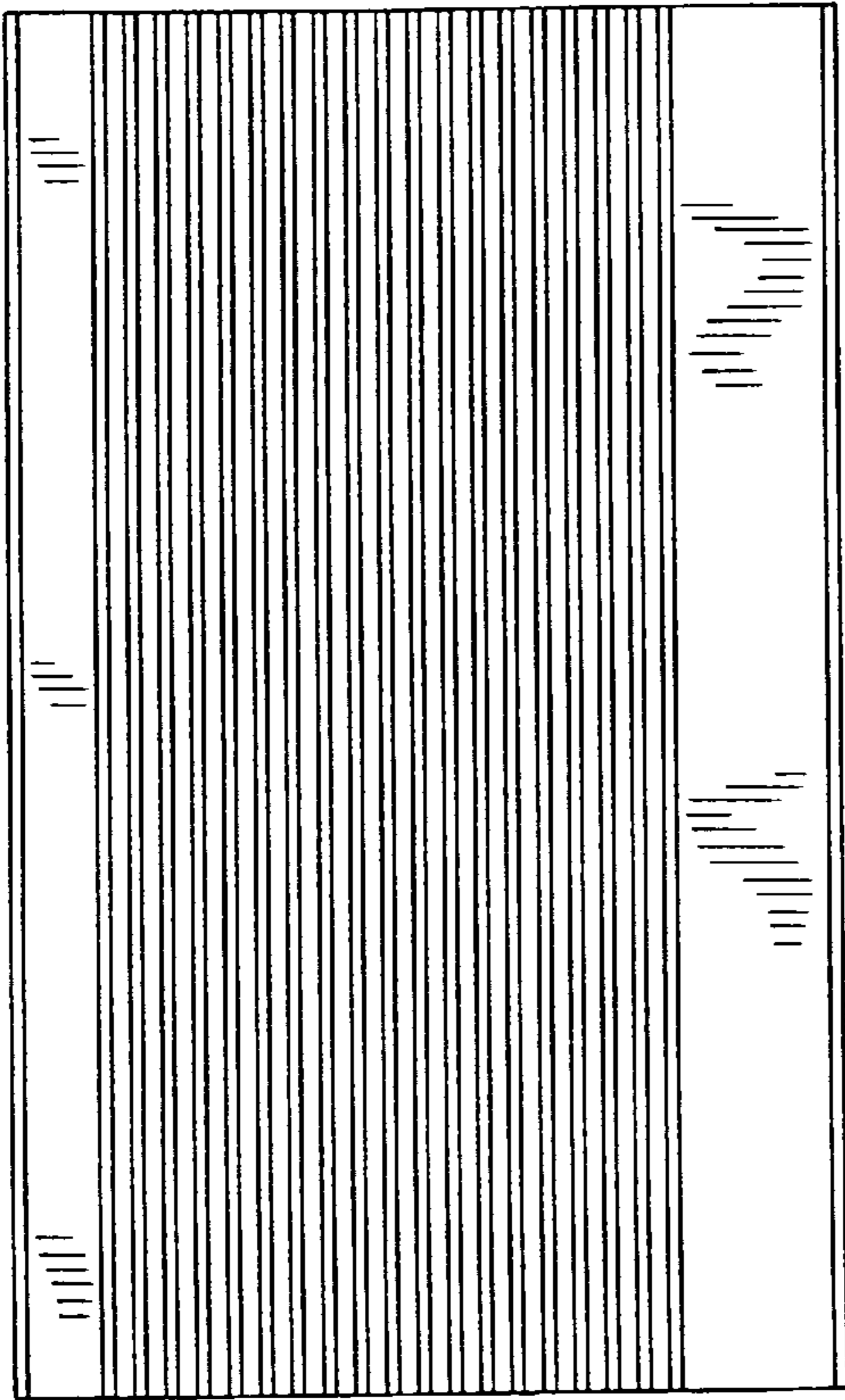


FIG. 6

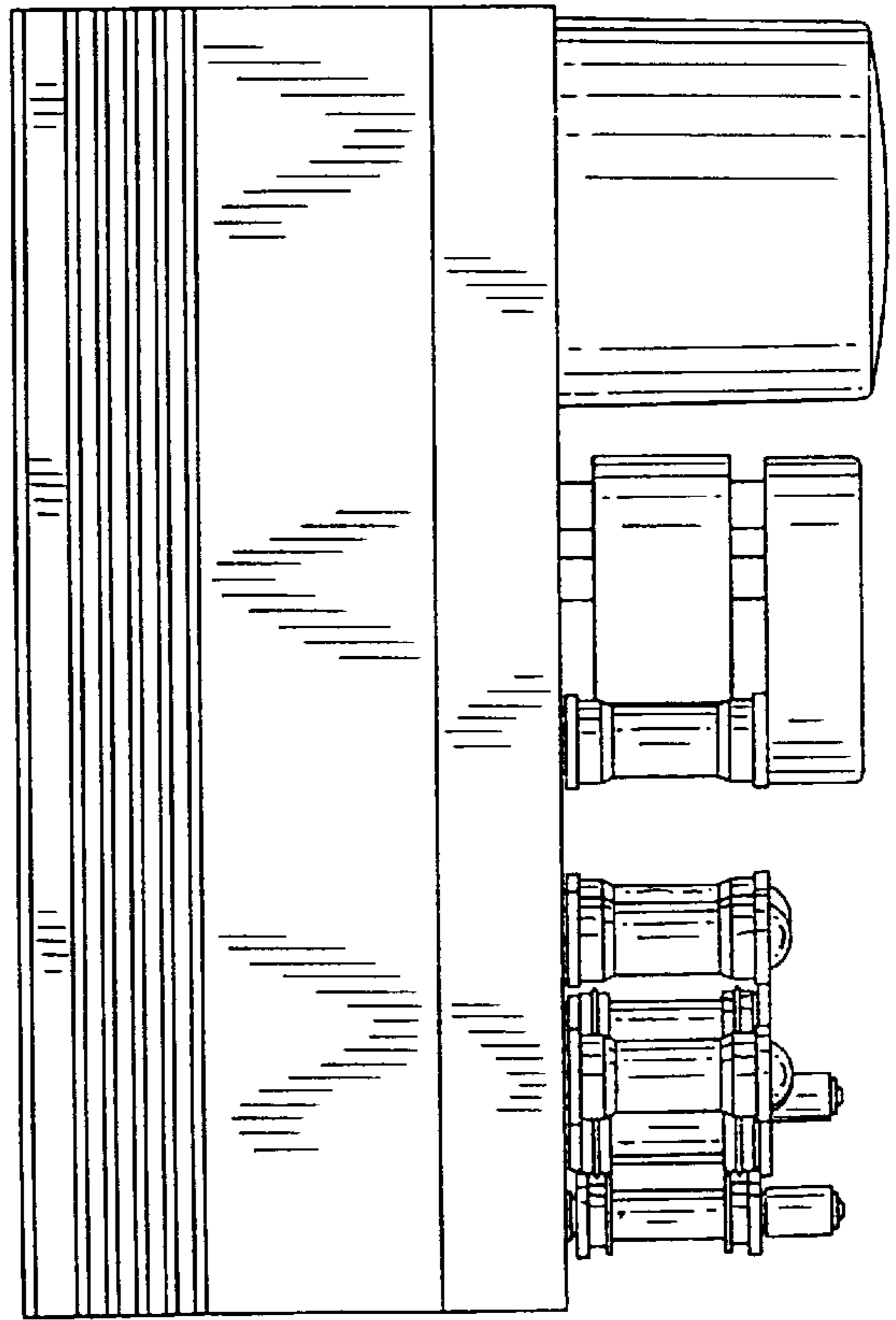


FIG. 8

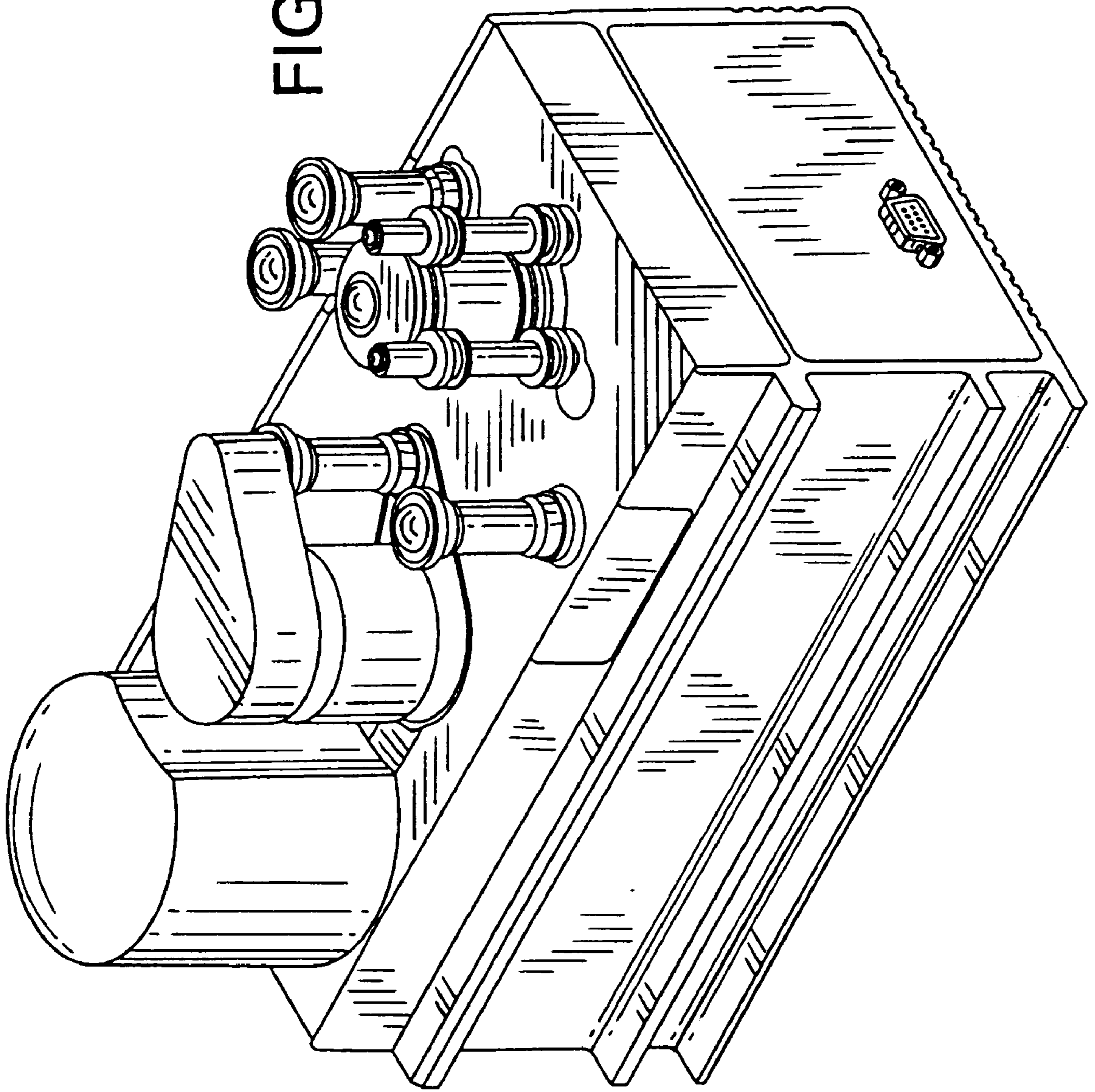


FIG. 11

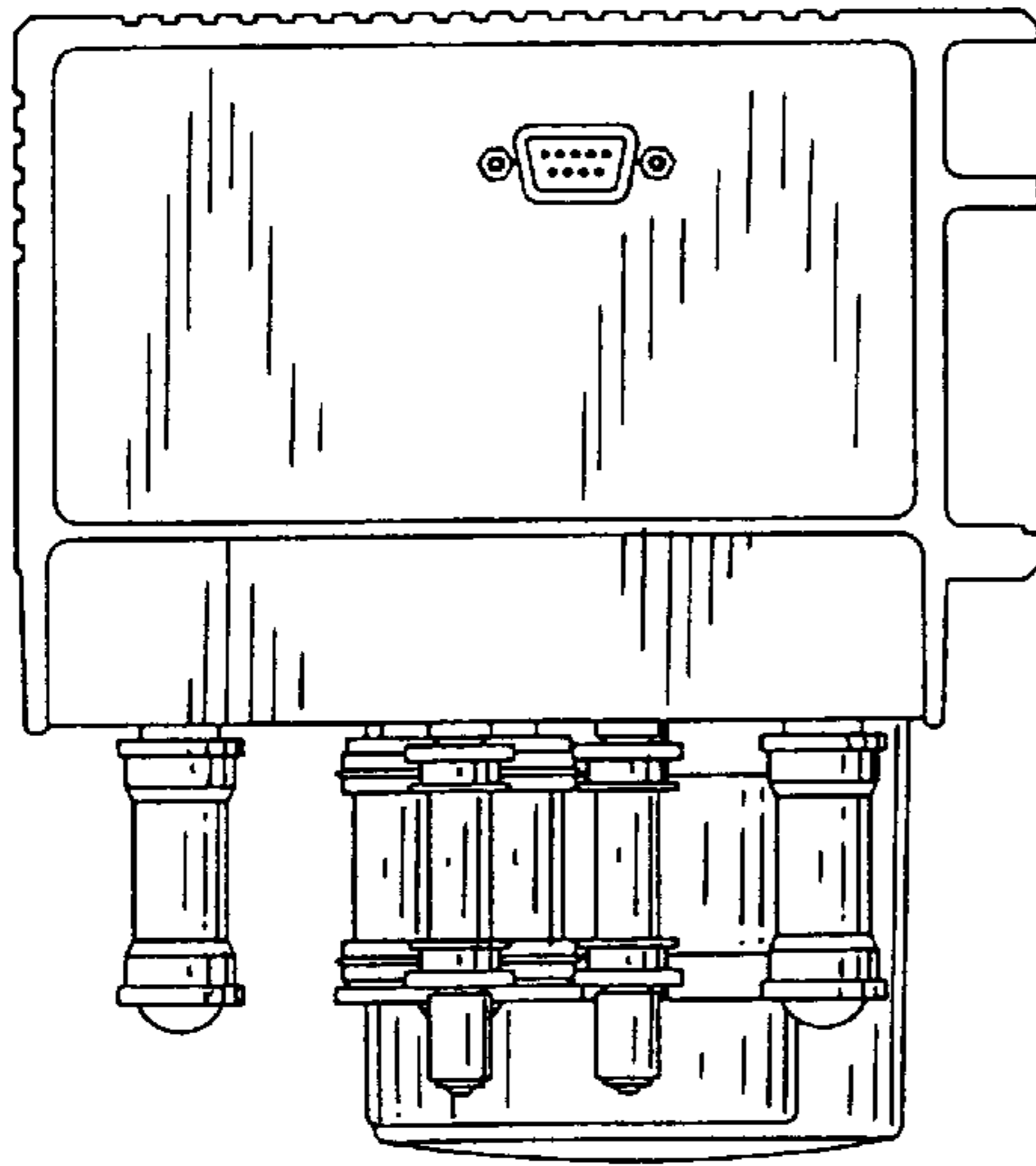


FIG. 9

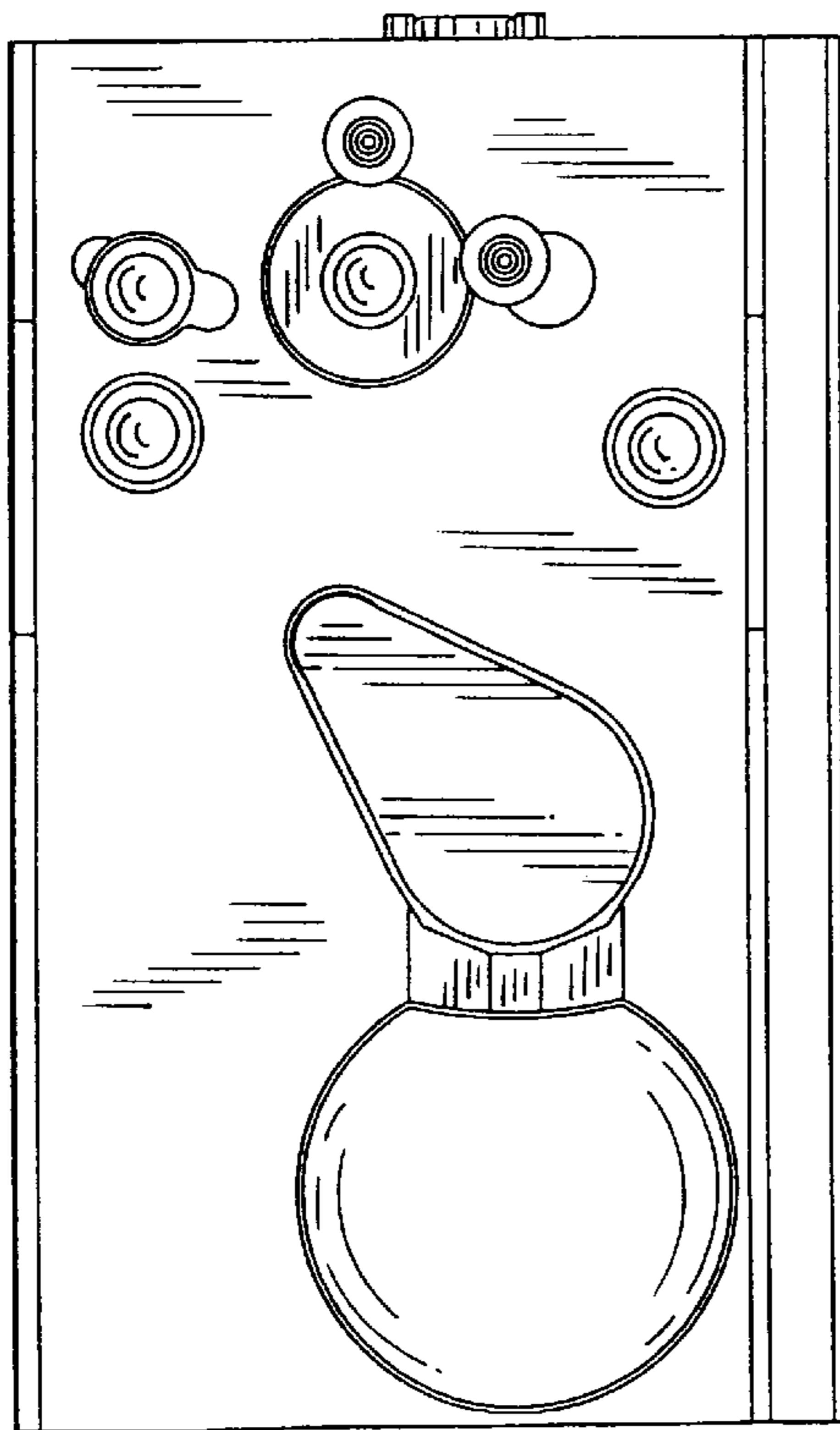


FIG. 10

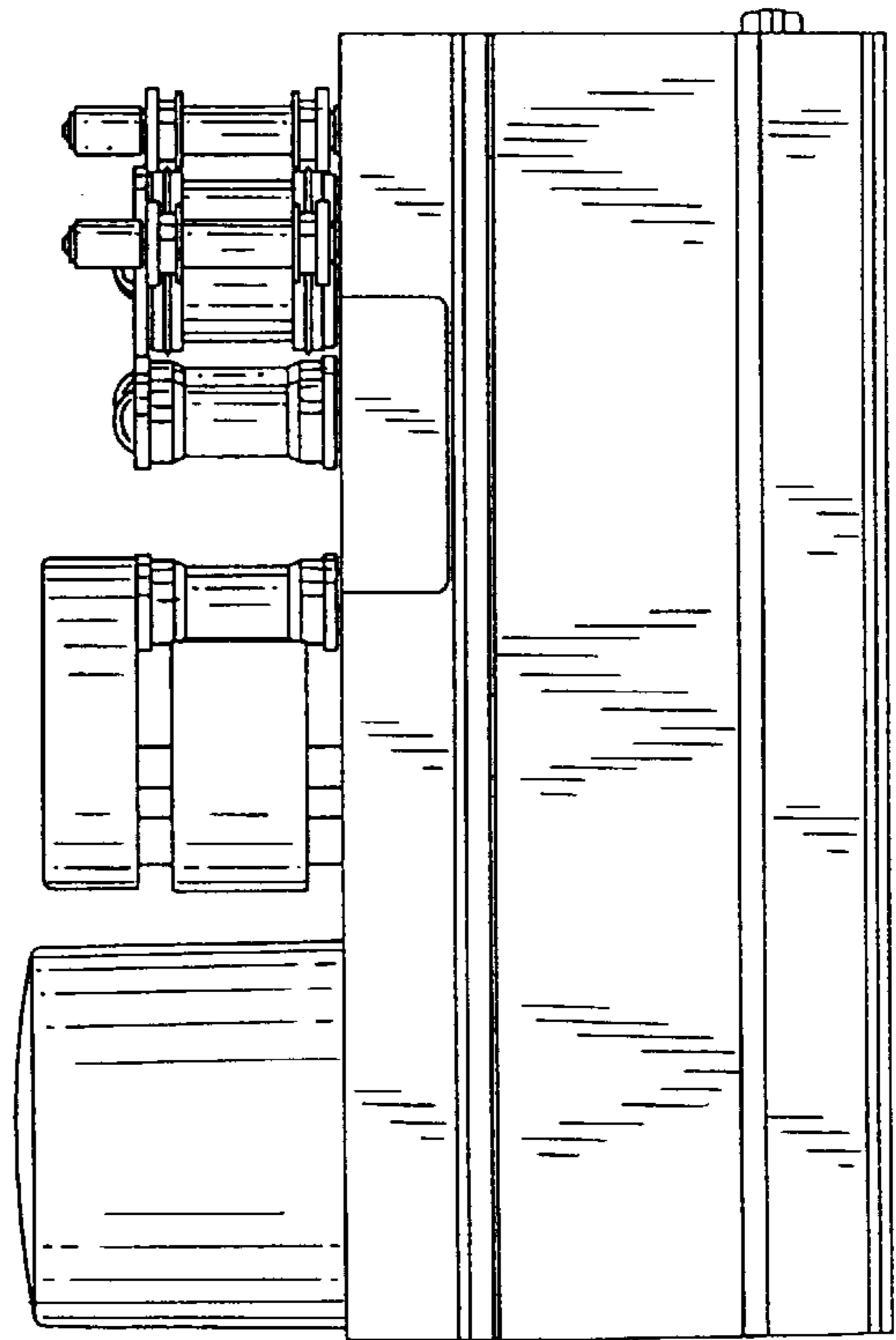


FIG. 14

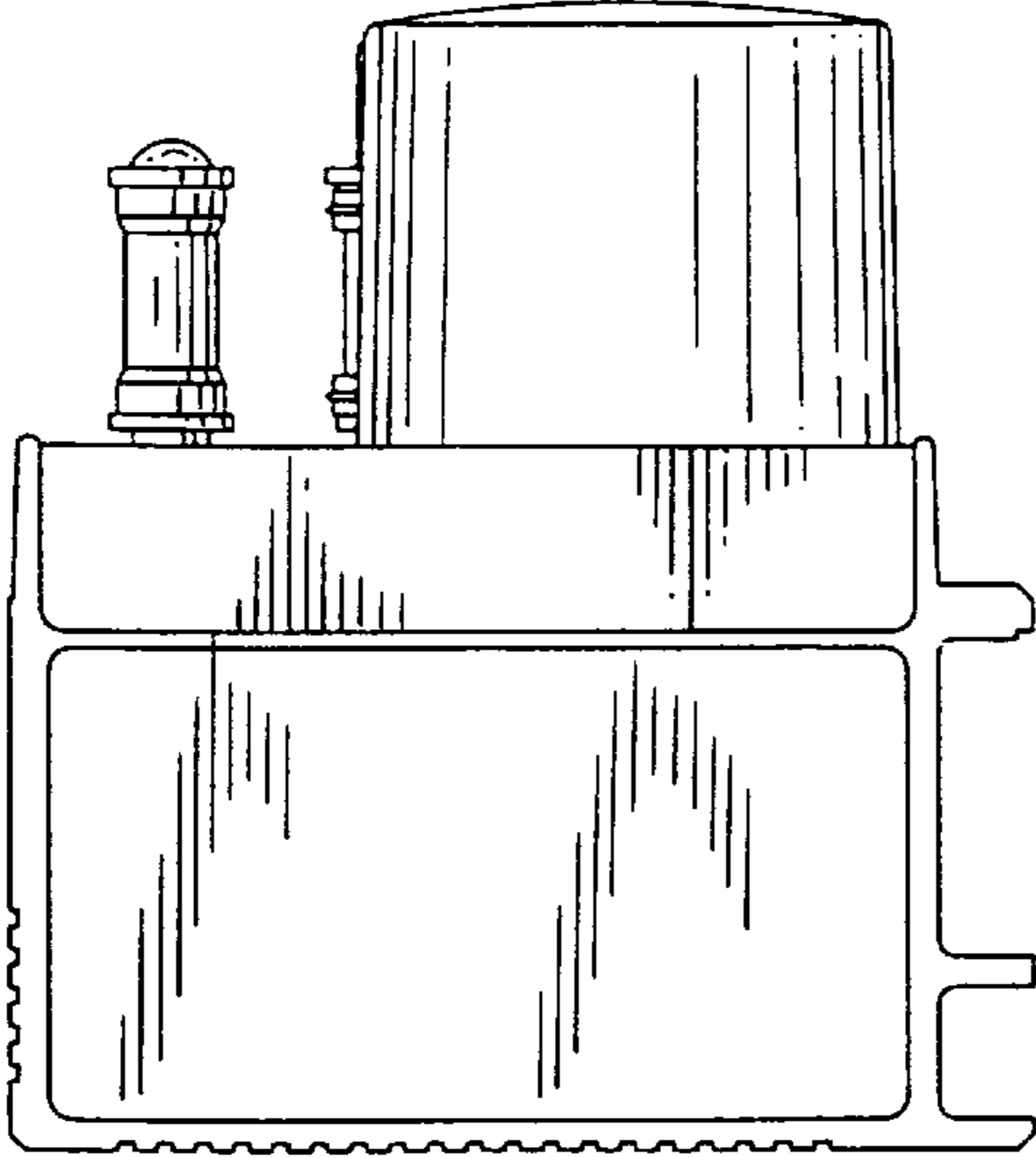


FIG. 12

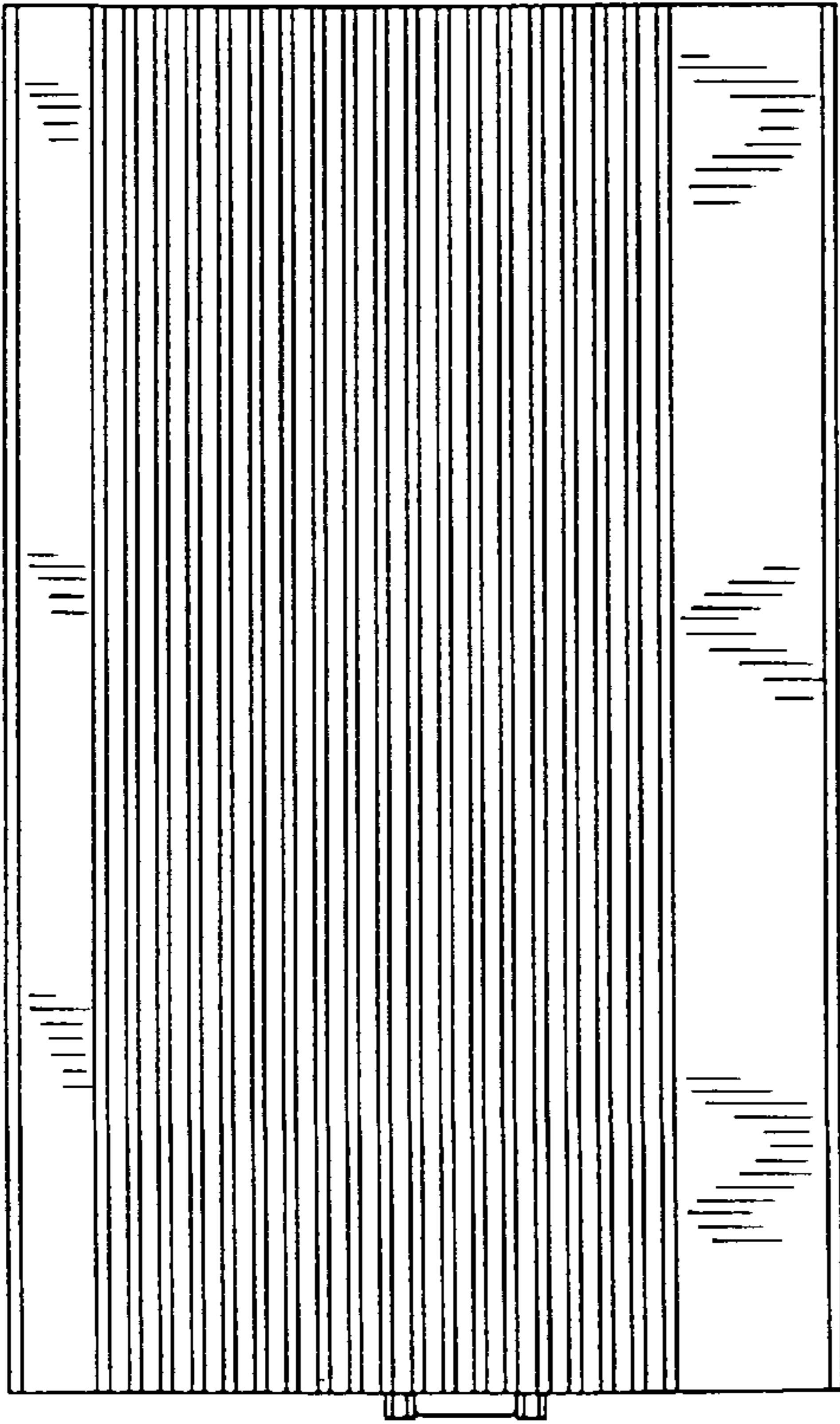


FIG. 13

