



US00D410923S

# United States Patent [19]

[11] **Patent Number: Des. 410,923**

**Ito et al.**

[45] **Date of Patent: \*\* Jun. 15, 1999**

[54] **DIGITAL AUDIO DISC PLAYER**

*Attorney, Agent, or Firm—Ladas & Parry*

[75] Inventors: **Masafumi Ito; Hiroyuki Watanabe; Yukio Iikura**, all of Musashino, Japan

[57] **CLAIM**

The ornamental design for a digital audio disc player, as shown and described.

[73] Assignee: **Teac Corporation**, Tokyo, Japan

[\*\*] Term: **14 Years**

**DESCRIPTION**

[21] Appl. No.: **29/080,527**

FIG. 1 is a perspective view of a digital audio disc player showing our new design;

[22] Filed: **Dec. 11, 1997**

FIG. 2 is a top view thereof;

[30] **Foreign Application Priority Data**

FIG. 3 is a bottom view thereof;

Jun. 17, 1997 [JP] Japan ..... 9-58255

FIG. 4 is a front view thereof;

Jun. 17, 1997 [JP] Japan ..... 9-58256

FIG. 5 is a rear view thereof;

[51] **LOC (6) Cl.** ..... **14-01**

FIG. 6 is a right side view thereof;

[52] **U.S. Cl.** ..... **D14/156**

FIG. 7 is a left side view thereof;

[58] **Field of Search** ..... D14/135, 136,  
D14/156, 157, 160, 257, 258; 369/75.1,  
75.2, 77.1, 77.2

FIG. 8 is a perspective view of a digital audio disc player showing another embodiment of our new design;

[56] **References Cited**

FIG. 9 is a top view of FIG. 8;

**U.S. PATENT DOCUMENTS**

FIG. 10 is a bottom view of FIG. 8;

D. 281,685 12/1985 Takahashi et al. .... D14/156

FIG. 11 is a front view of FIG. 8;

D. 318,664 7/1991 Ito et al. .... D14/156

FIG. 12 is a rear view of FIG. 8;

D. 339,135 9/1993 Ito et al. .... D14/156

FIG. 13 is a right side view of FIG. 8; and,

4,674,080 6/1987 Higuchi et al. .... 369/77.2

FIG. 14 is a left side view of FIG. 8.

5,177,730 1/1993 Utsugi ..... 369/75.1

**OTHER PUBLICATIONS**

Catalogue for Technics' Digital Audio Disc Players, SL-PG 470 and SL-PG 370, 1995 and 1996.

*Primary Examiner—Ted Shooman*  
*Assistant Examiner—Nanda Bondade*

**1 Claim, 6 Drawing Sheets**

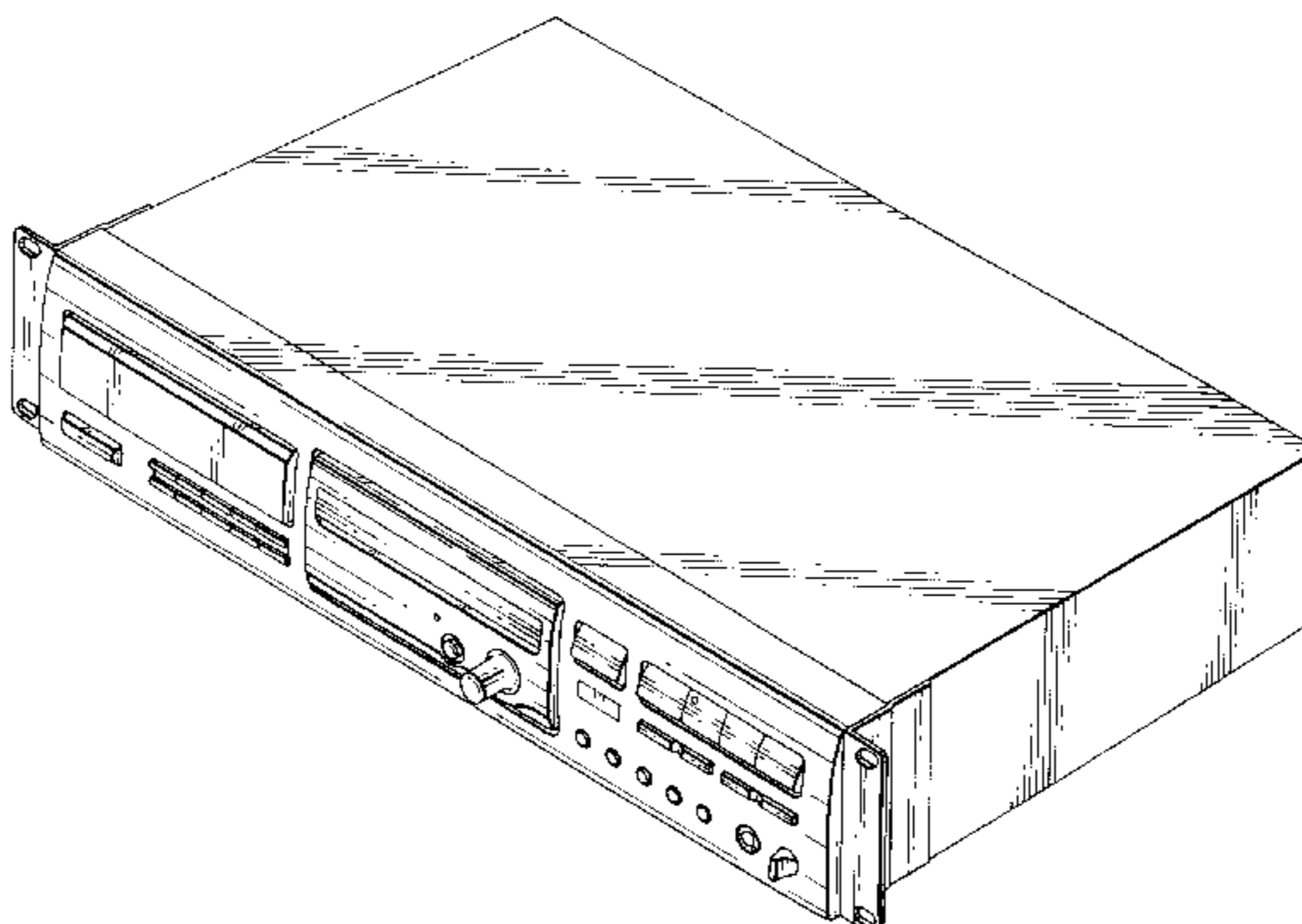
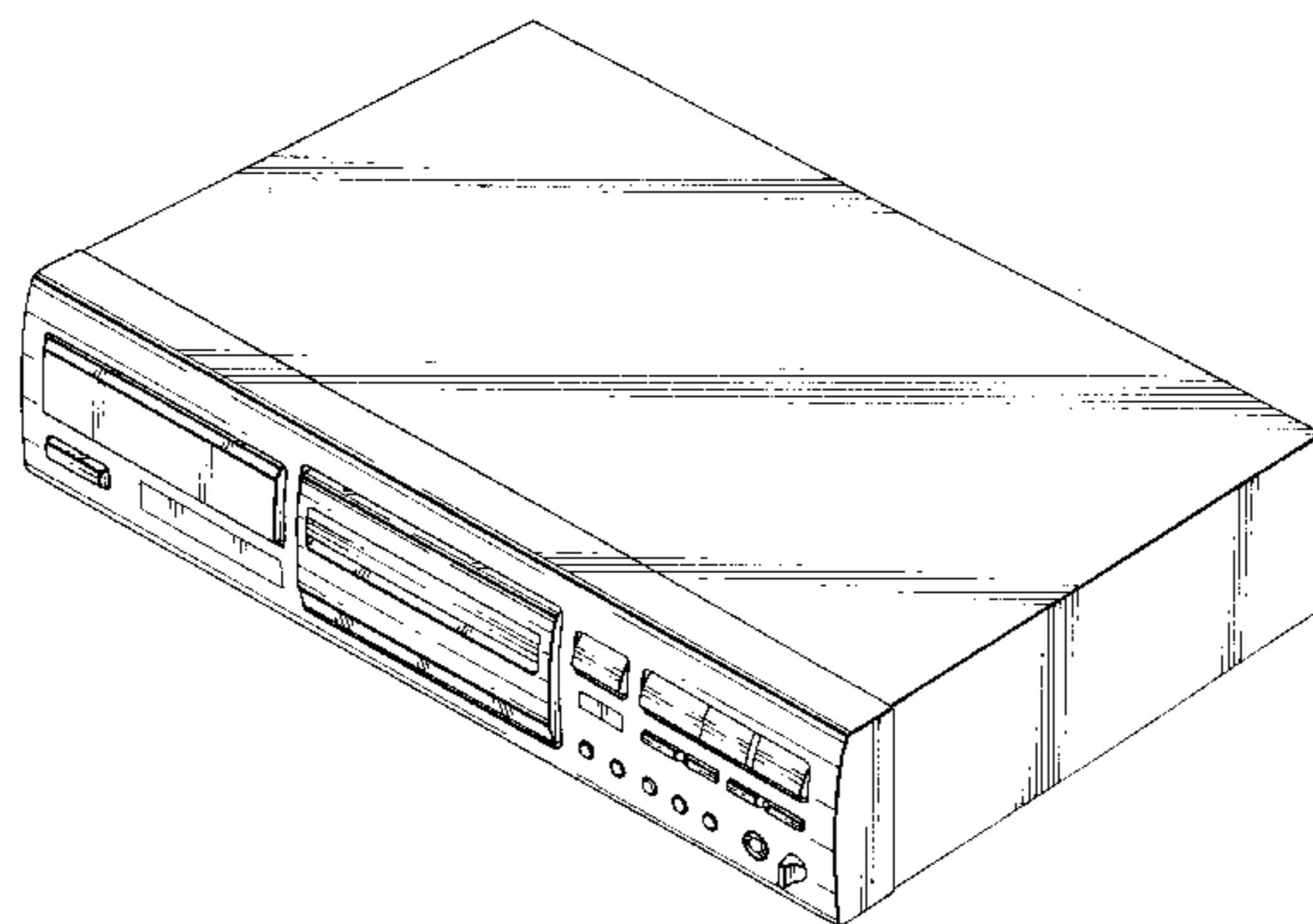


FIG.1

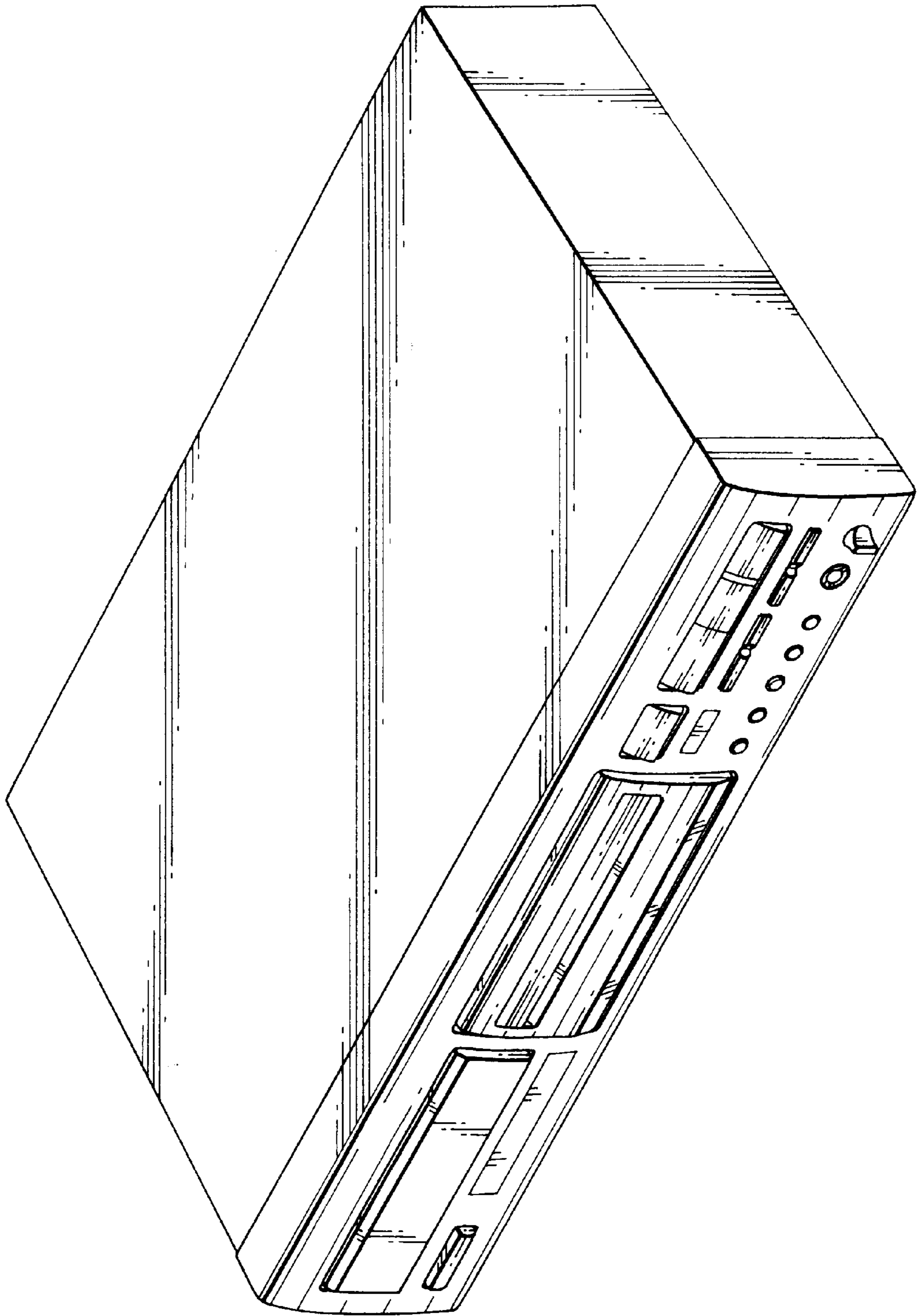


FIG. 2

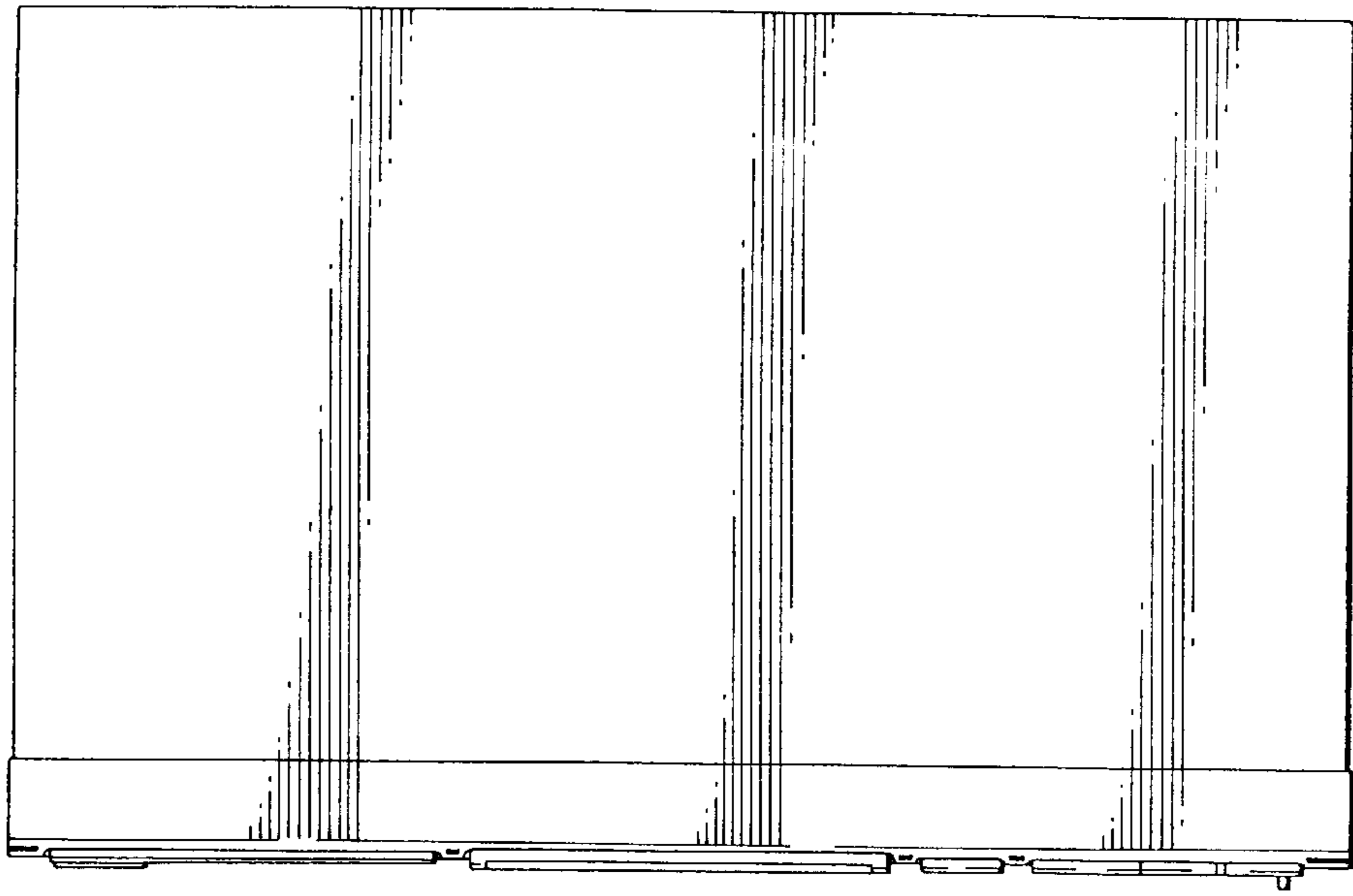


FIG. 3

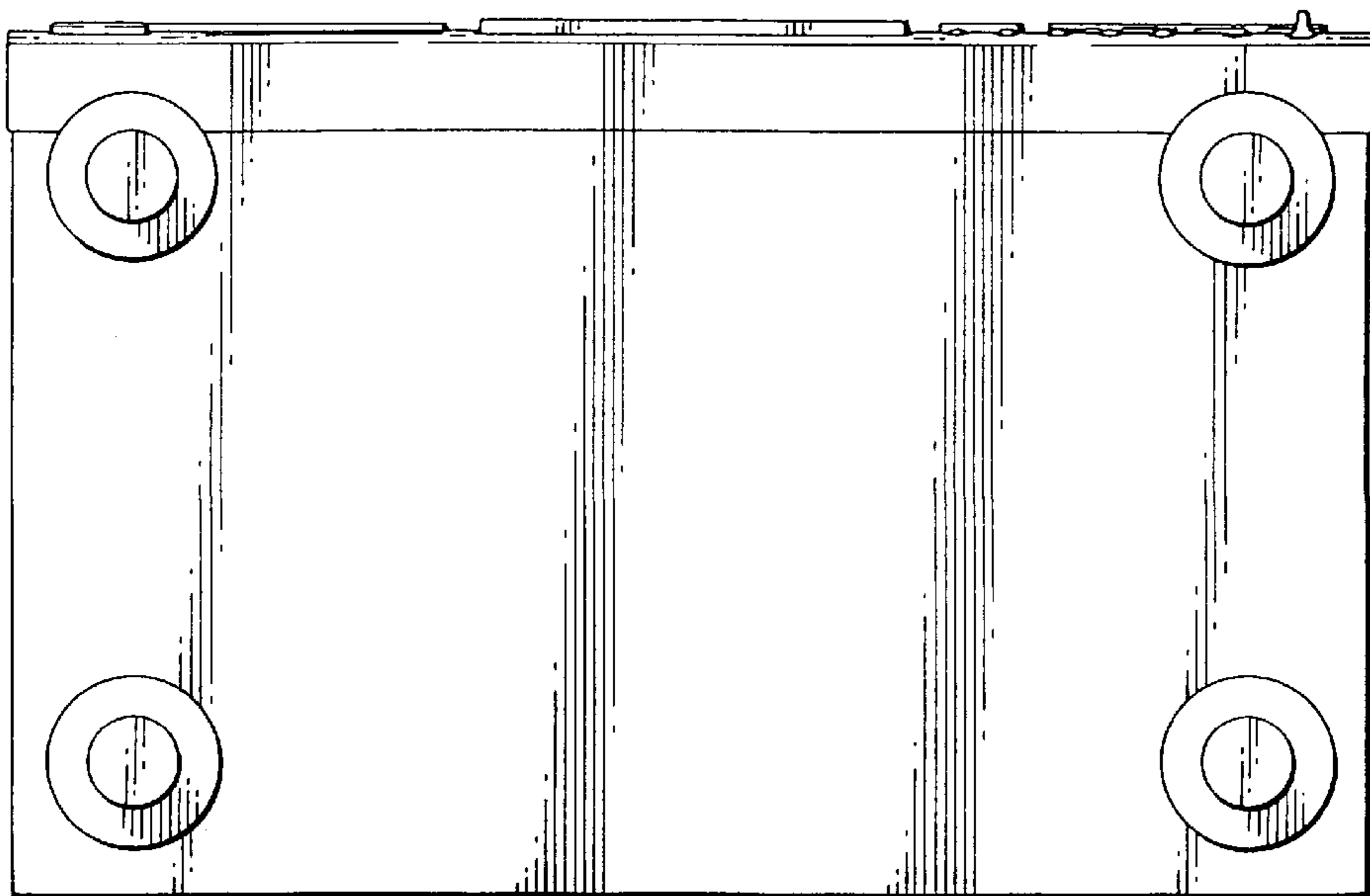


FIG. 4

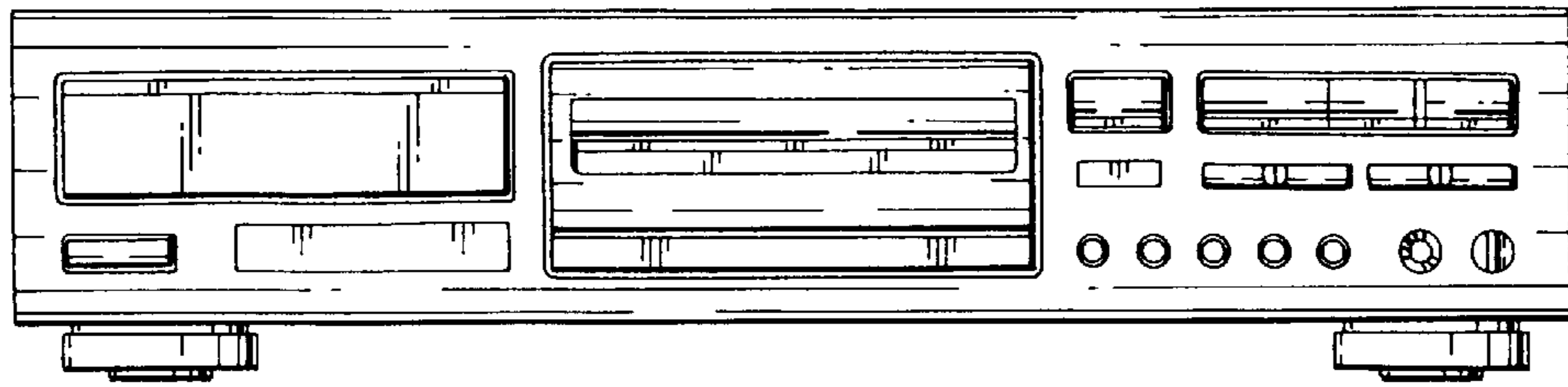


FIG. 5

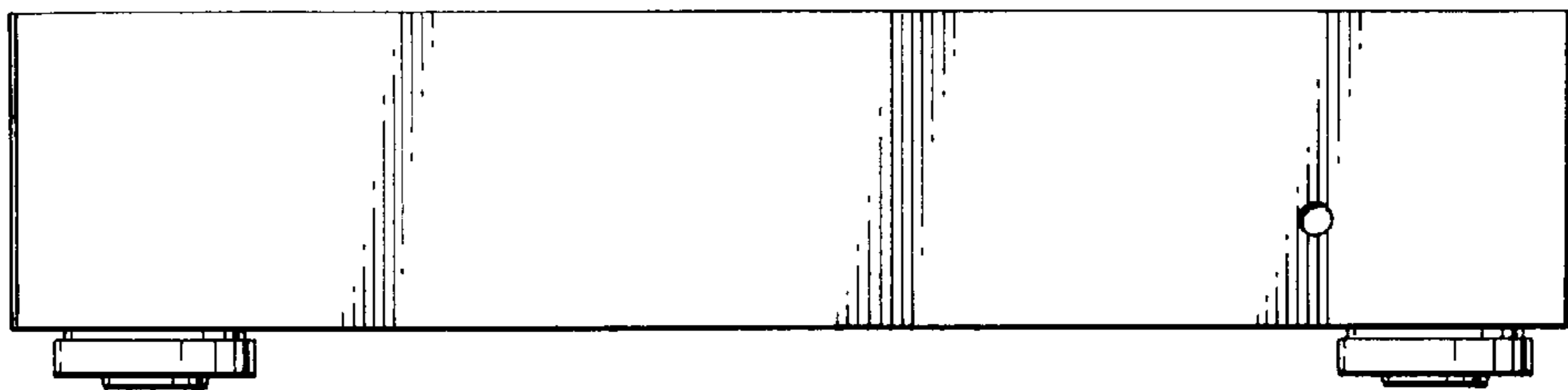


FIG. 6

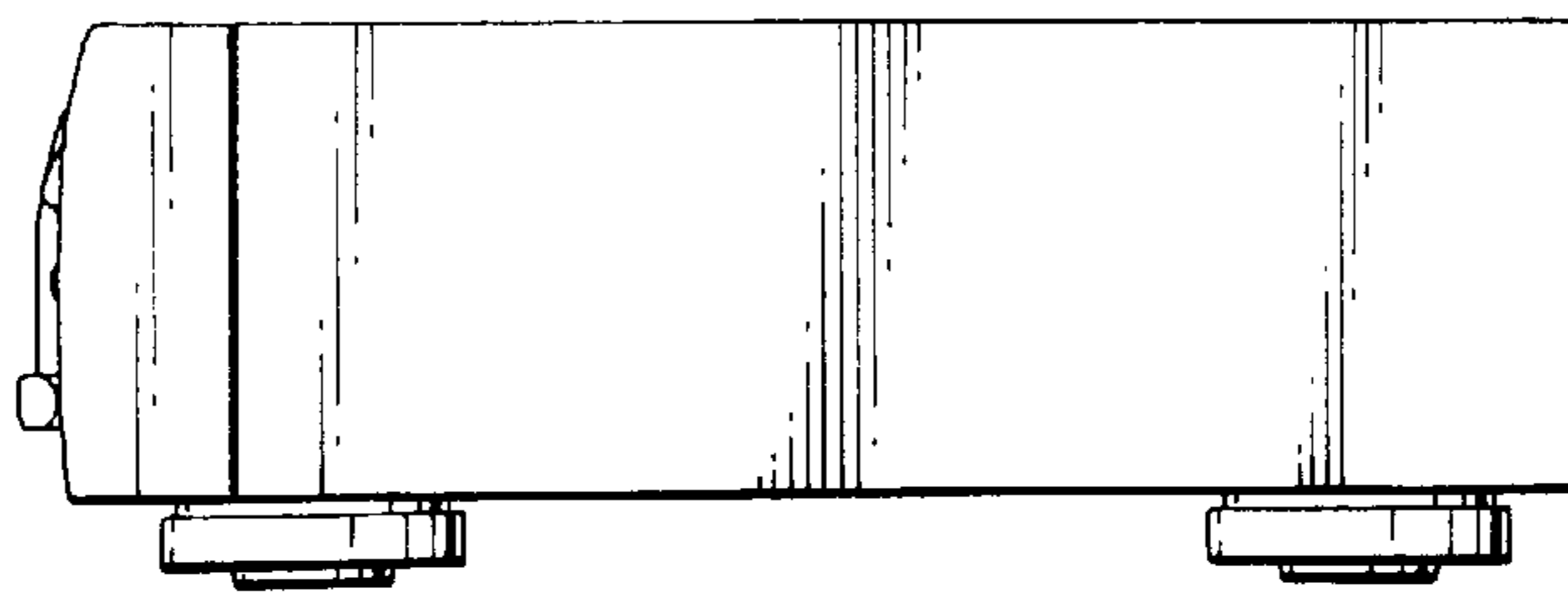


FIG. 7

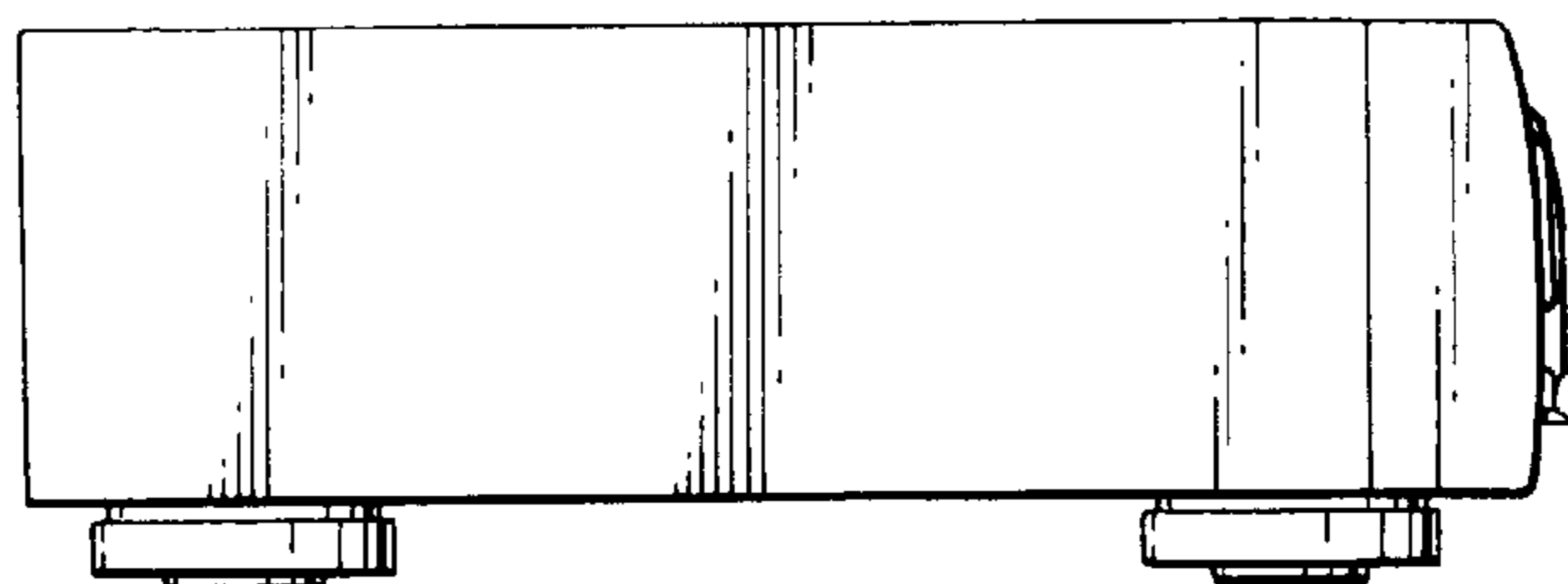


FIG. 8

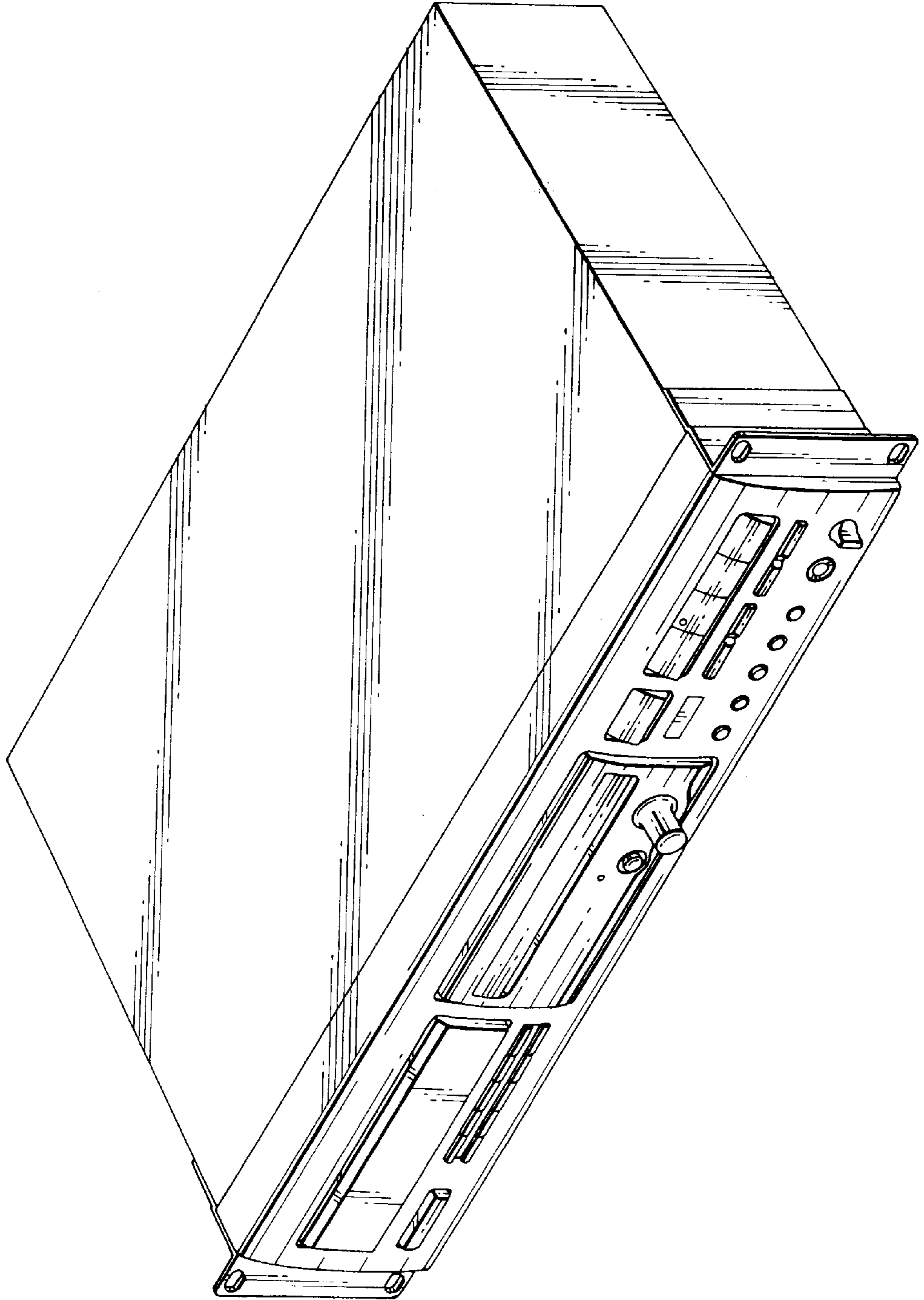


FIG. 9

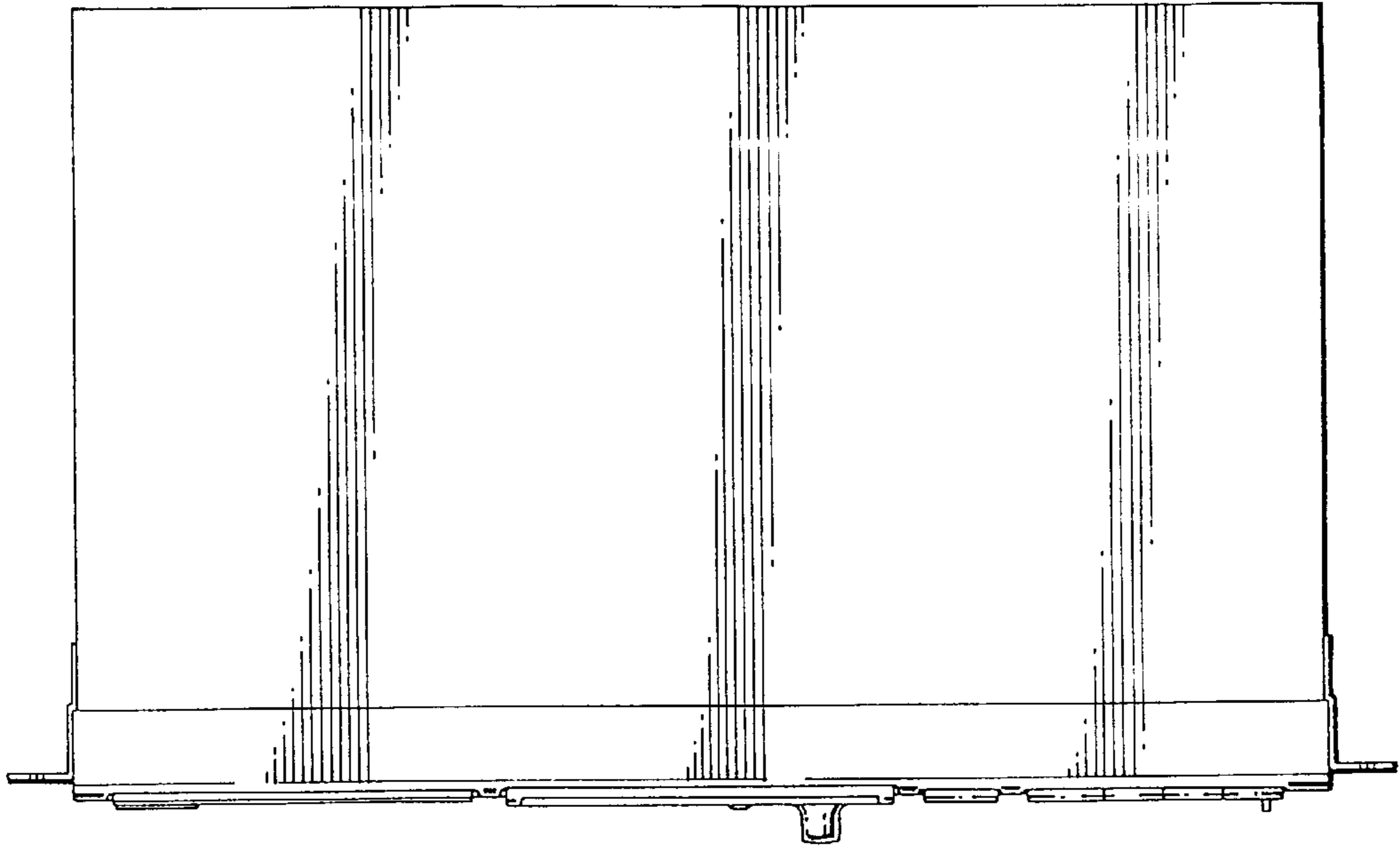


FIG. 10

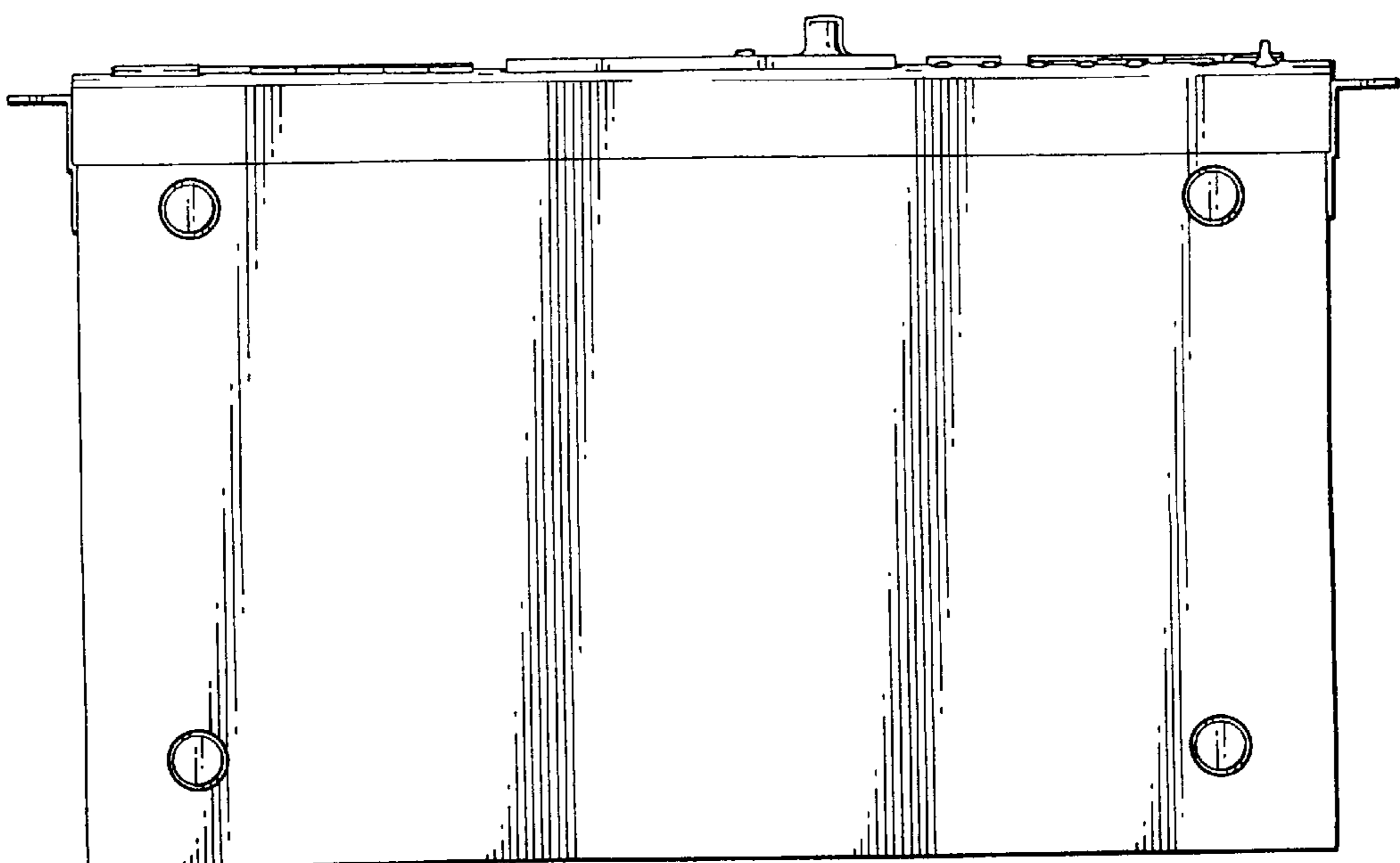


FIG. 11

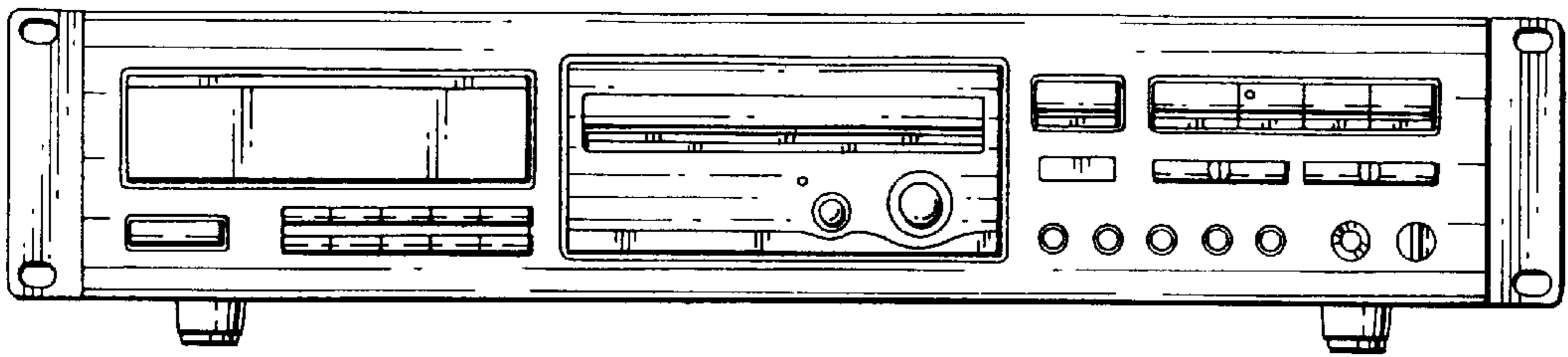


FIG. 12

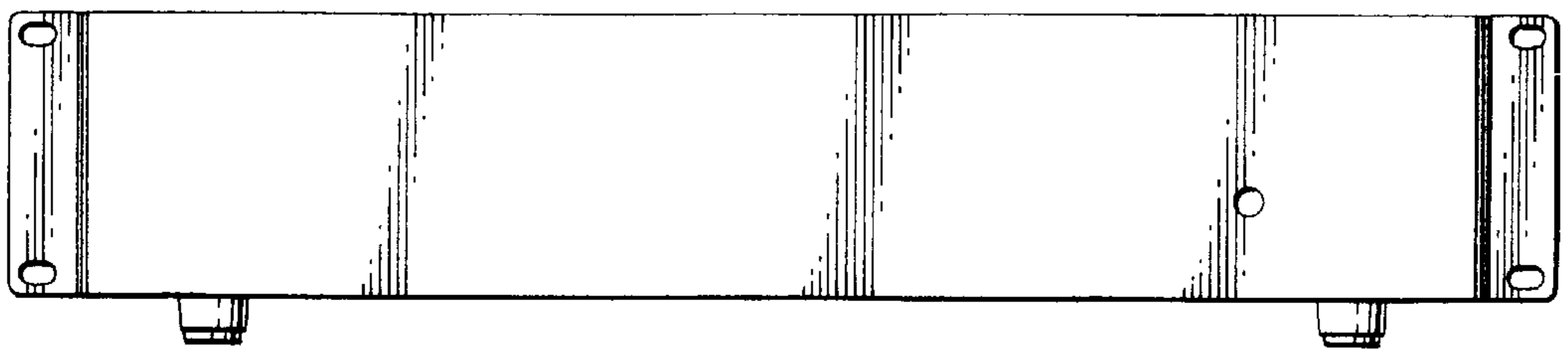


FIG. 13

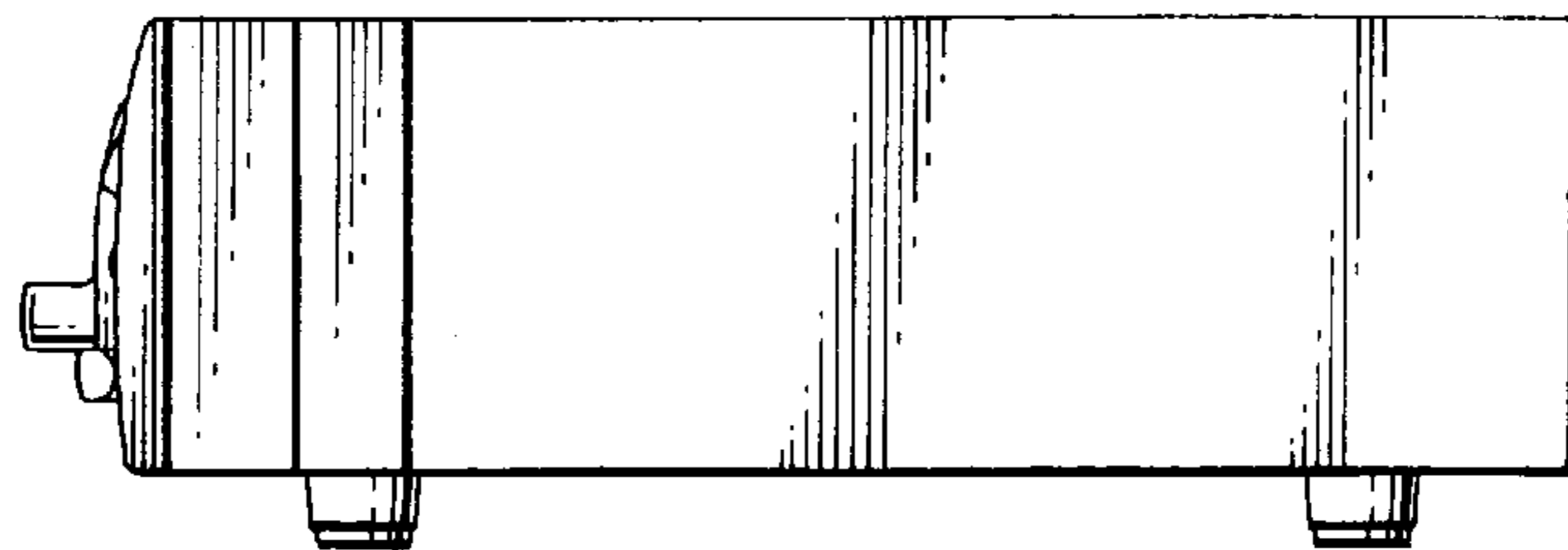


FIG. 14

