



US00D410918S

**United States Patent** [19]  
**Matsuzaka**

[11] **Patent Number: Des. 410,918**  
[45] **Date of Patent: \*\* Jun. 15, 1999**

[54] **VIDEO TAPE RECORDER**

[75] Inventor: **Yozo Matsuzaka**, Toyko, Japan  
[73] Assignee: **Sony Corporation**, Tokyo, Japan  
[\*\*] Term: **14 Years**

[21] Appl. No.: **29/084,825**  
[22] Filed: **Mar. 11, 1998**

[30] **Foreign Application Priority Data**

Sep. 12, 1997 [JP] Japan ..... 9-67688

[51] **LOC (6) Cl.** ..... **14-01**  
[52] **U.S. Cl.** ..... **D14/135**  
[58] **Field of Search** ..... D14/124, 135,  
D14/136, 156, 239, 160; 386/46; 369/75.1

[56] **References Cited**

**U.S. PATENT DOCUMENTS**

D. 372,711 8/1996 Hyougo ..... D14/135  
D. 381,652 7/1997 Suzuki et al. .... D14/136

**OTHER PUBLICATIONS**

Catalog "Videodeck", models SWI and BWI, Sony, (Jun. 1997).

*Primary Examiner*—Ted Shooman  
*Assistant Examiner*—Richelle Shelton  
*Attorney, Agent, or Firm*—Foley & Lardner

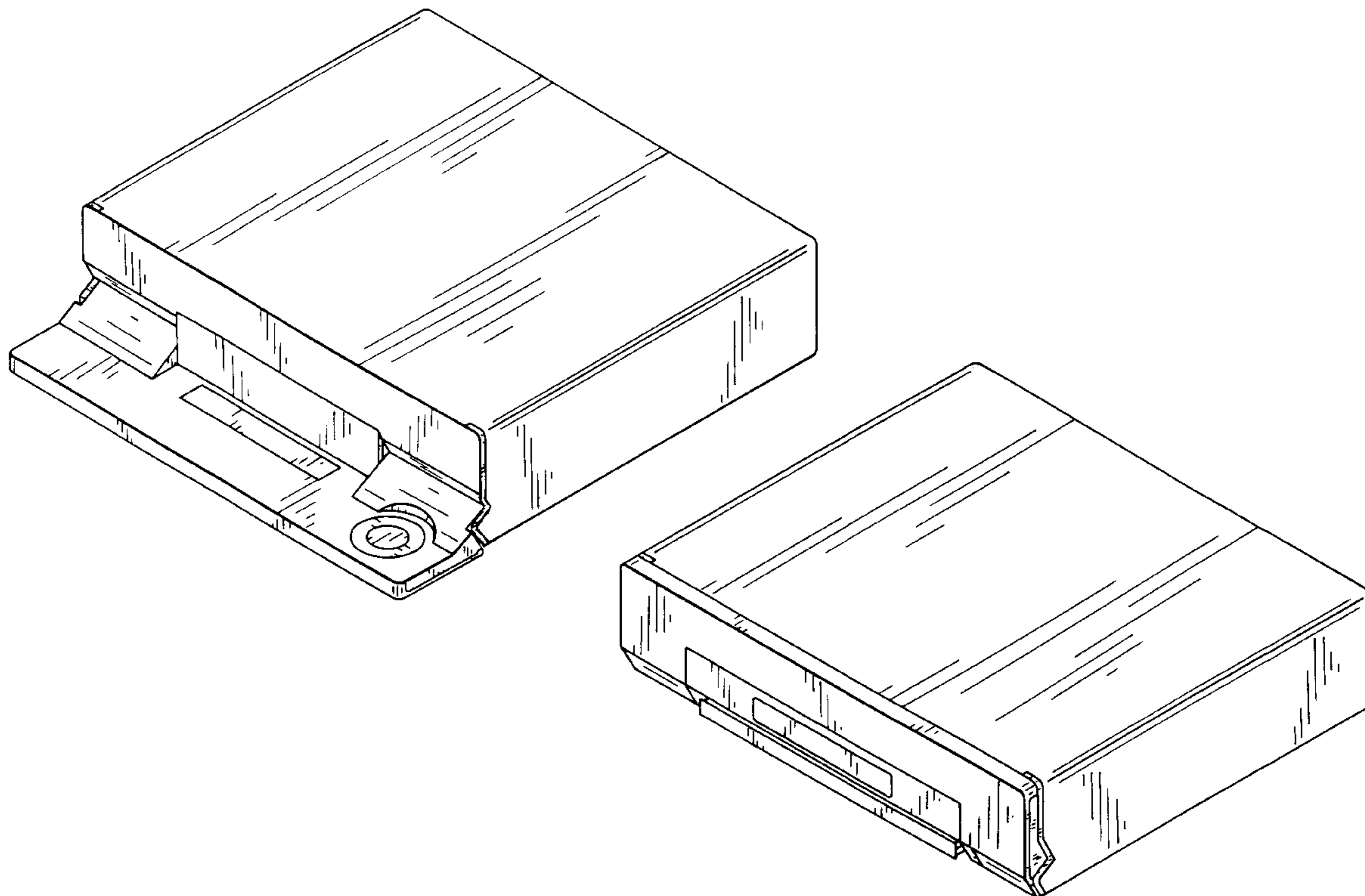
[57] **CLAIM**

The ornamental design for a video tape recorder, as shown and described.

**DESCRIPTION**

FIG. 1 is a perspective view of a video tape recorder showing my new design;  
FIG. 2 is a top plan view thereof;  
FIG. 3 is a left side elevational view thereof, the right side elevational view being the mirror image;  
FIG. 4 is a front elevational view thereof;  
FIG. 5 is a bottom plan view thereof;  
FIG. 6 is a rear elevational view thereof; and,  
FIG. 7 is a perspective view thereof, wherein the lid portion is in the closed position.

**1 Claim, 3 Drawing Sheets**



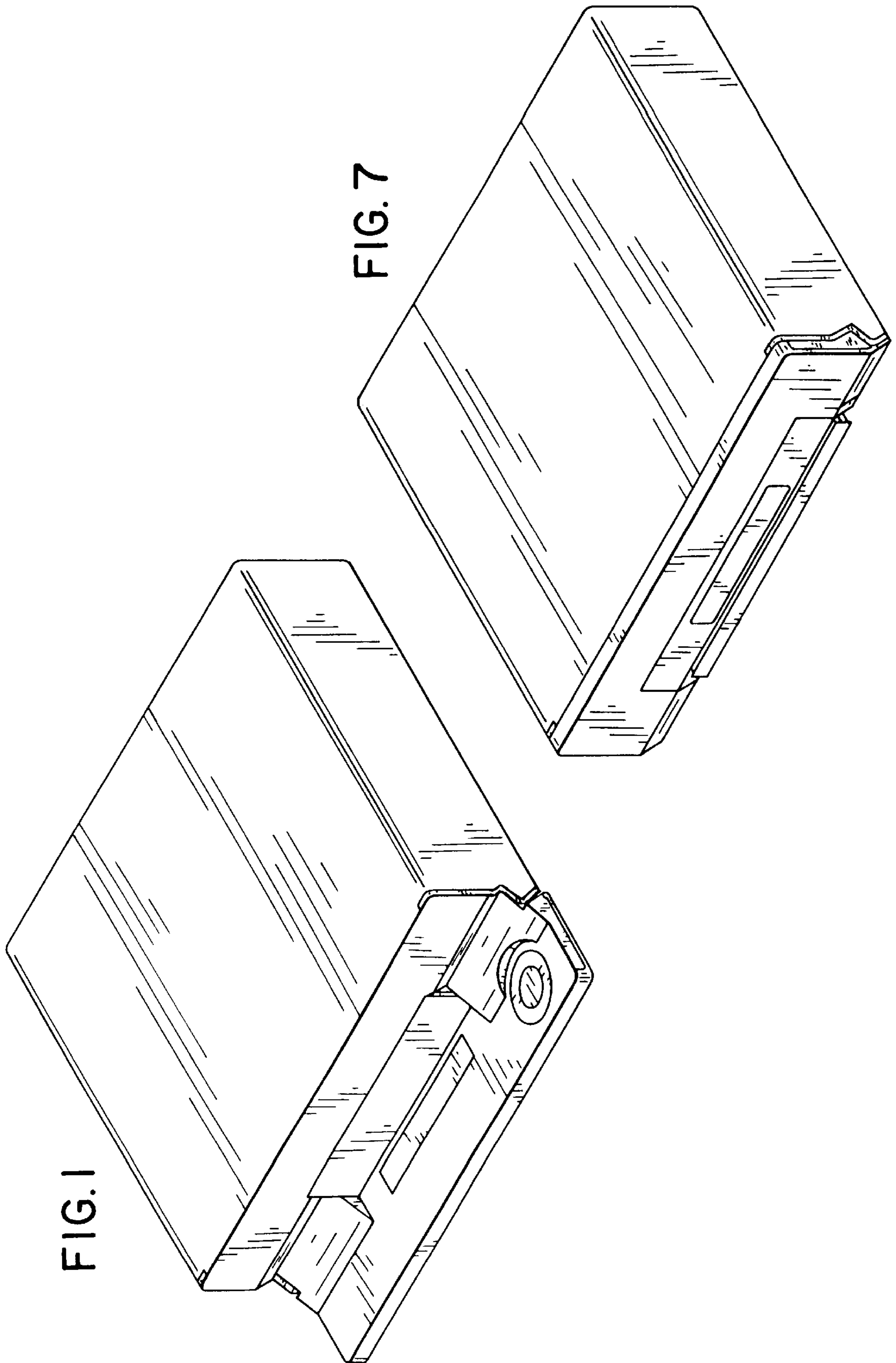


FIG. 1

FIG. 7

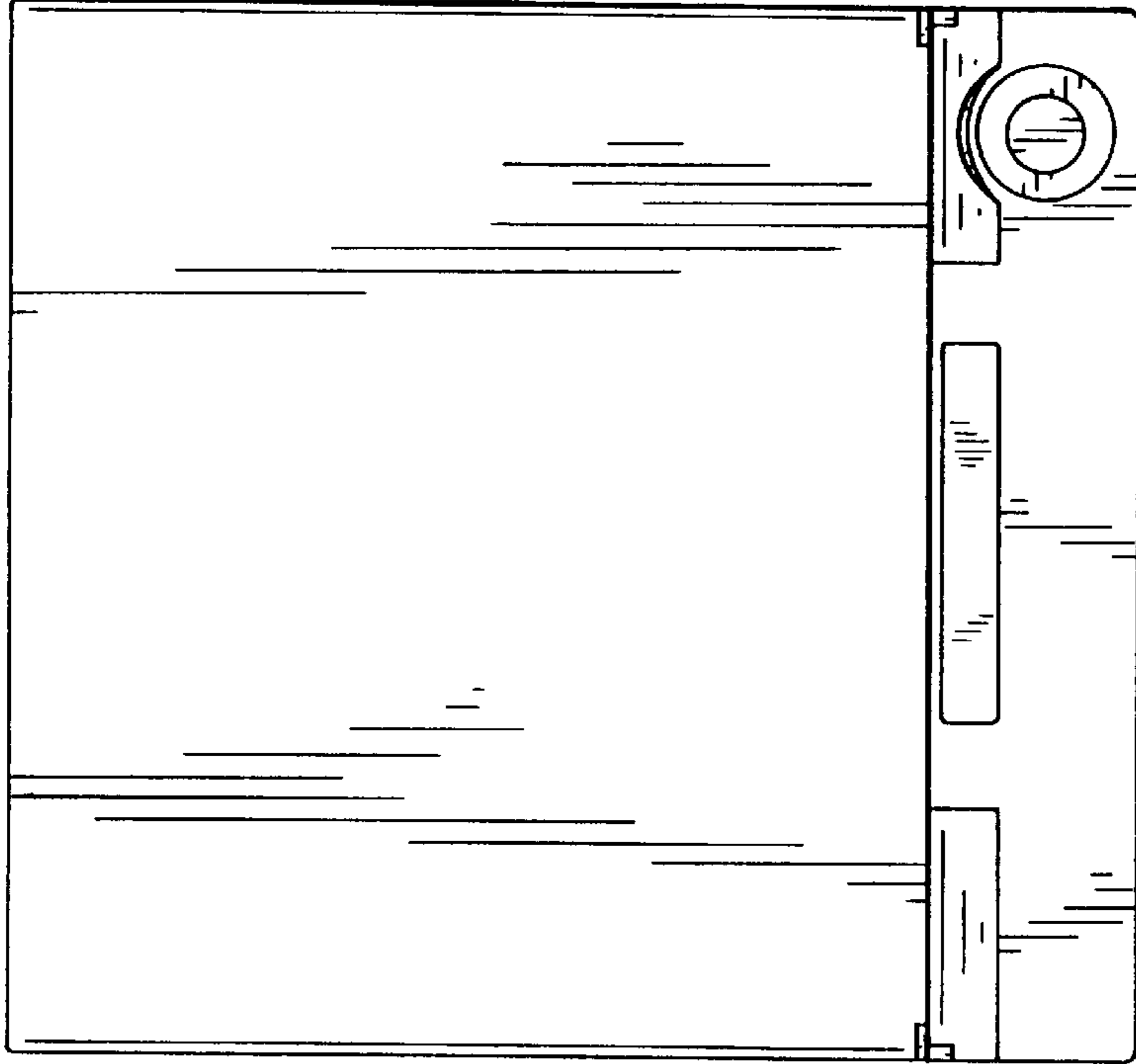


FIG. 2

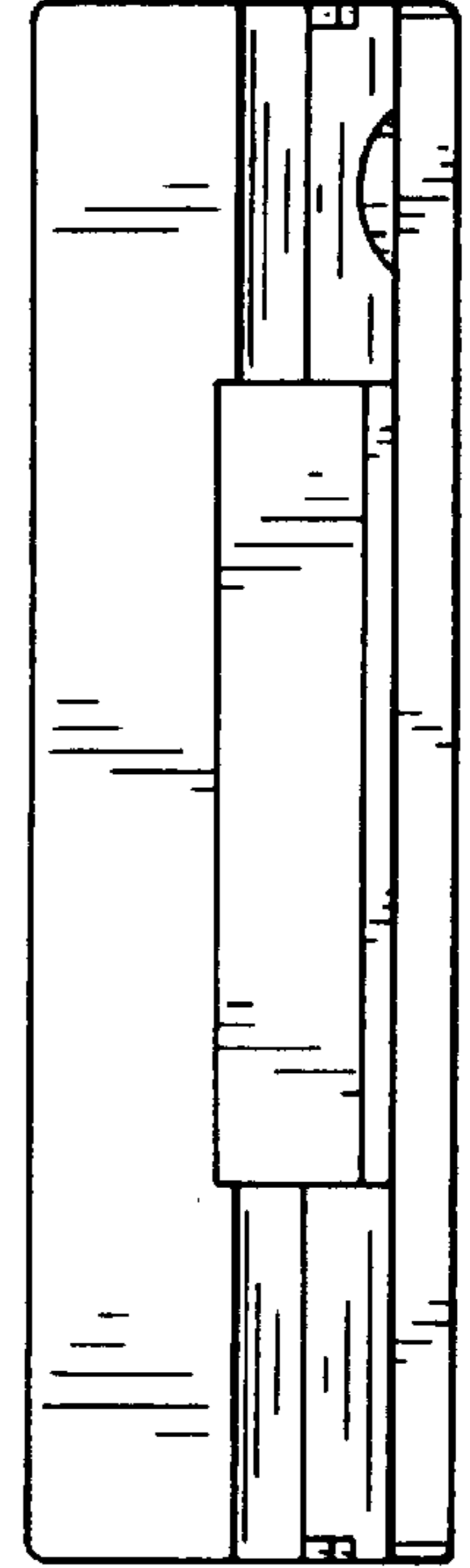


FIG. 4

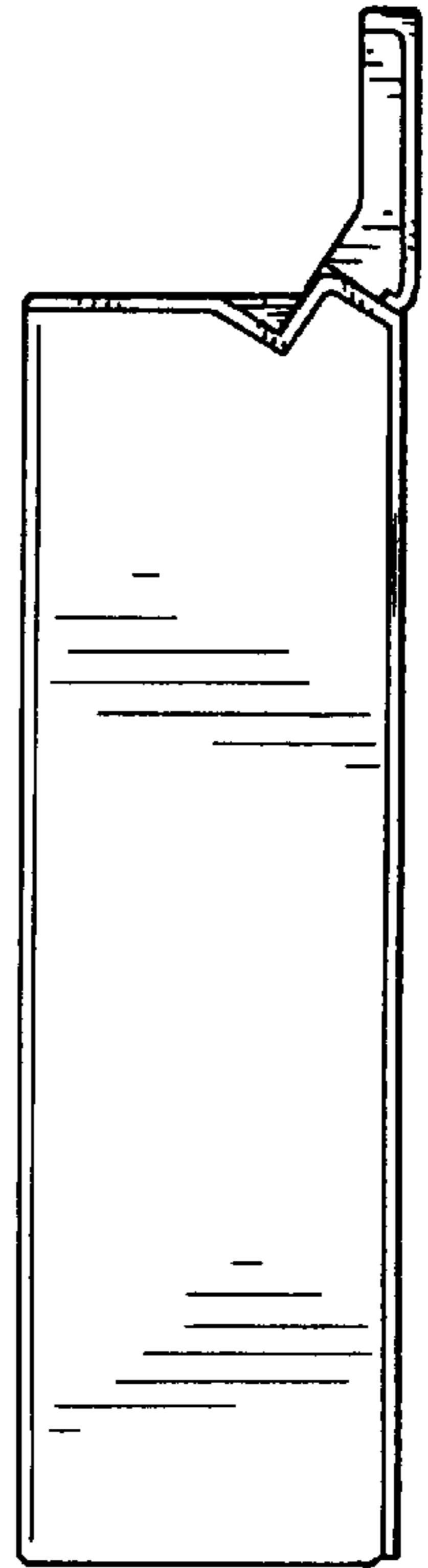


FIG. 3

FIG. 5

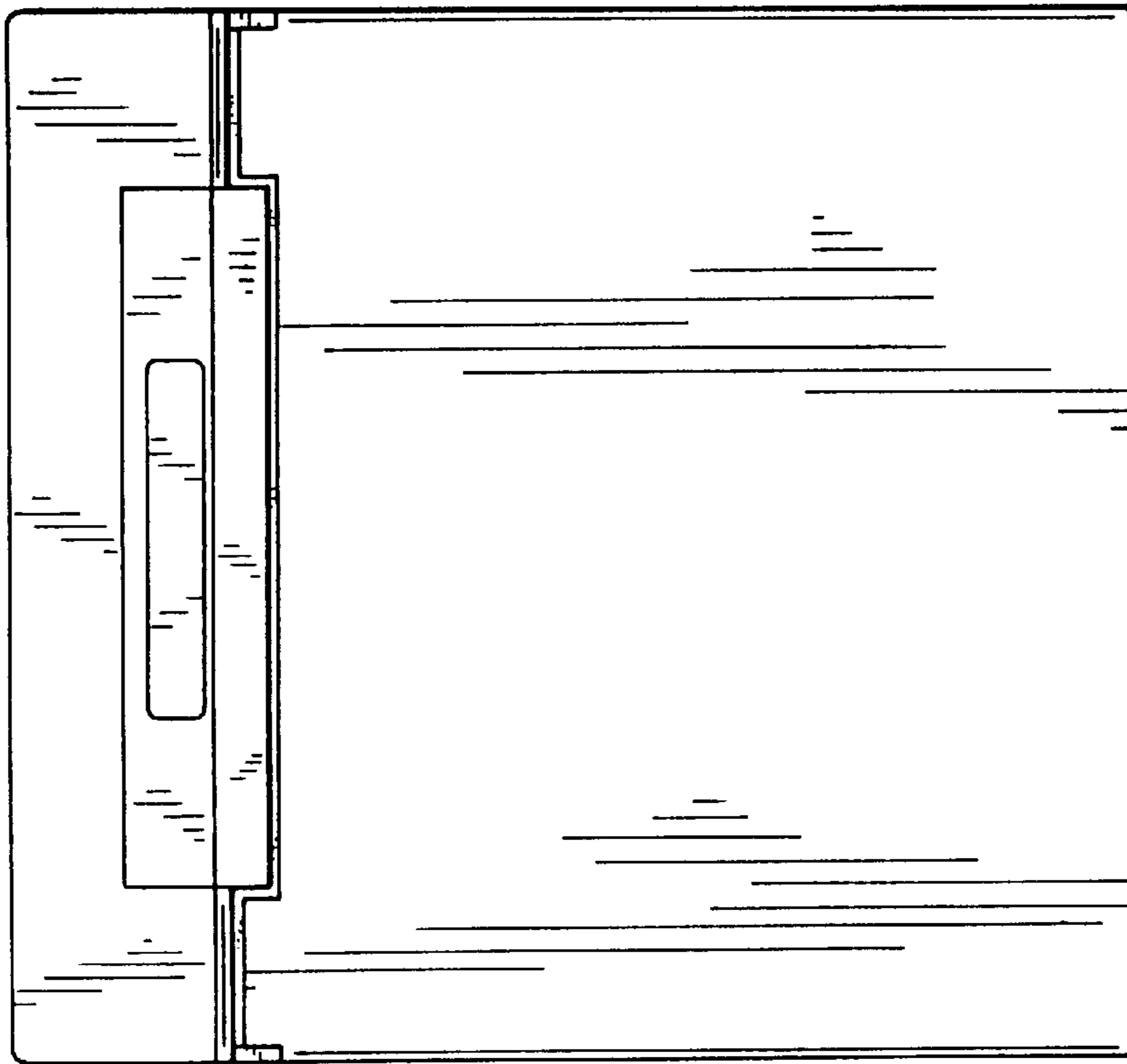


FIG. 6

