



US00D410917S

# United States Patent [19]

Novak et al.

[11] Patent Number: **Des. 410,917**

[45] Date of Patent: **\*\* Jun. 15, 1999**

[54] **PROJECTION TELEVISION**

5,742,358 4/1998 Iijima et al. .... 348/789  
5,808,704 9/1998 Yoshikawa et al. .... 348/787 X

[75] Inventors: **John F. Novak**, Atlanta; **Shinji Oe**,  
Duluth, both of Ga.

[73] Assignee: **Hitachi Home Electronics (America),  
Inc.**, San Diego, Calif.

[\*\*] Term: **14 Years**

*Primary Examiner*—Ted Shooman  
*Assistant Examiner*—Richelle Shelton  
*Attorney, Agent, or Firm*—Womble Carlyle Sandridge &  
Rice

[21] Appl. No.: **29/087,443**

[22] Filed: **May 1, 1998**

[51] **LOC (6) Cl.** ..... **14-03**

[52] **U.S. Cl.** ..... **D14/128; D14/133**

[58] **Field of Search** ..... D14/113, 126-134;  
312/7.2; 348/787, 789, 836; 353/47, 74

## [57] CLAIM

The ornamental design for a “projection television,” as shown and described.

## DESCRIPTION

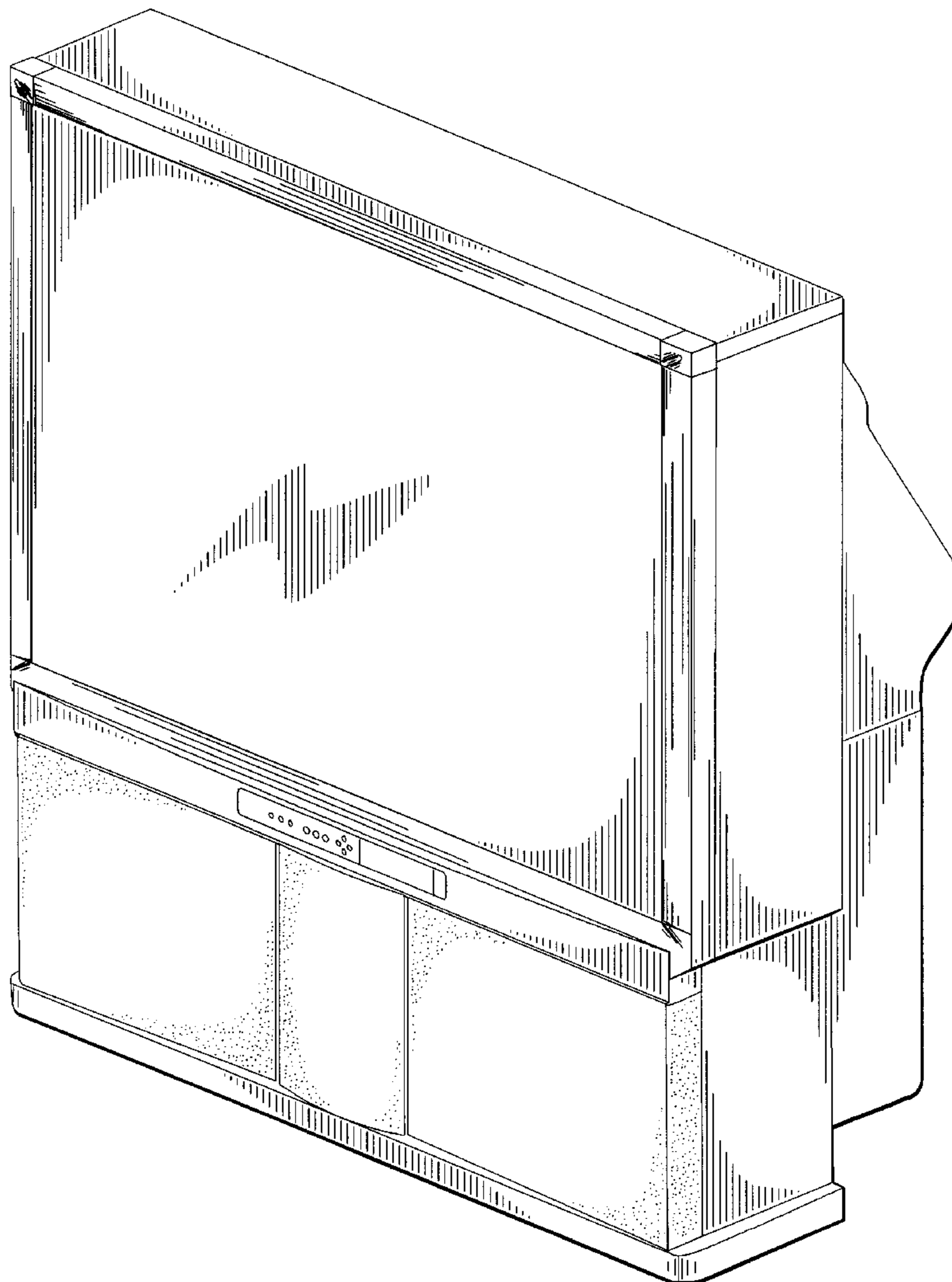
FIG. 1 is a perspective view of a projection television showing our new design;  
FIG. 2 is a front view thereof;  
FIG. 3 is a right side view thereof, the left side view being a mirror image;  
FIG. 4 is a top view thereof;  
FIG. 5 is a bottom view thereof; and,  
FIG. 6 is a rear view thereof.

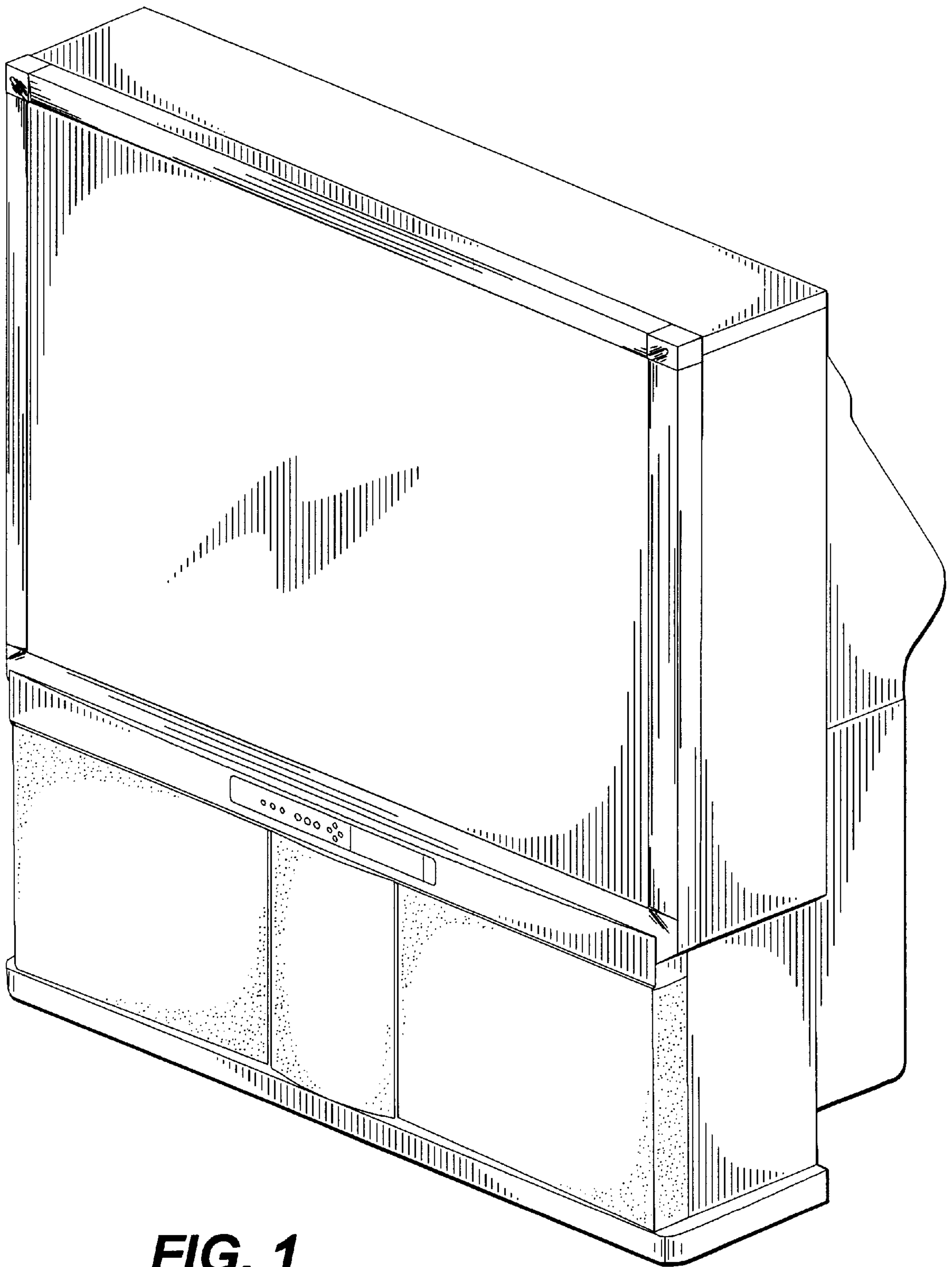
## [56] References Cited

### U.S. PATENT DOCUMENTS

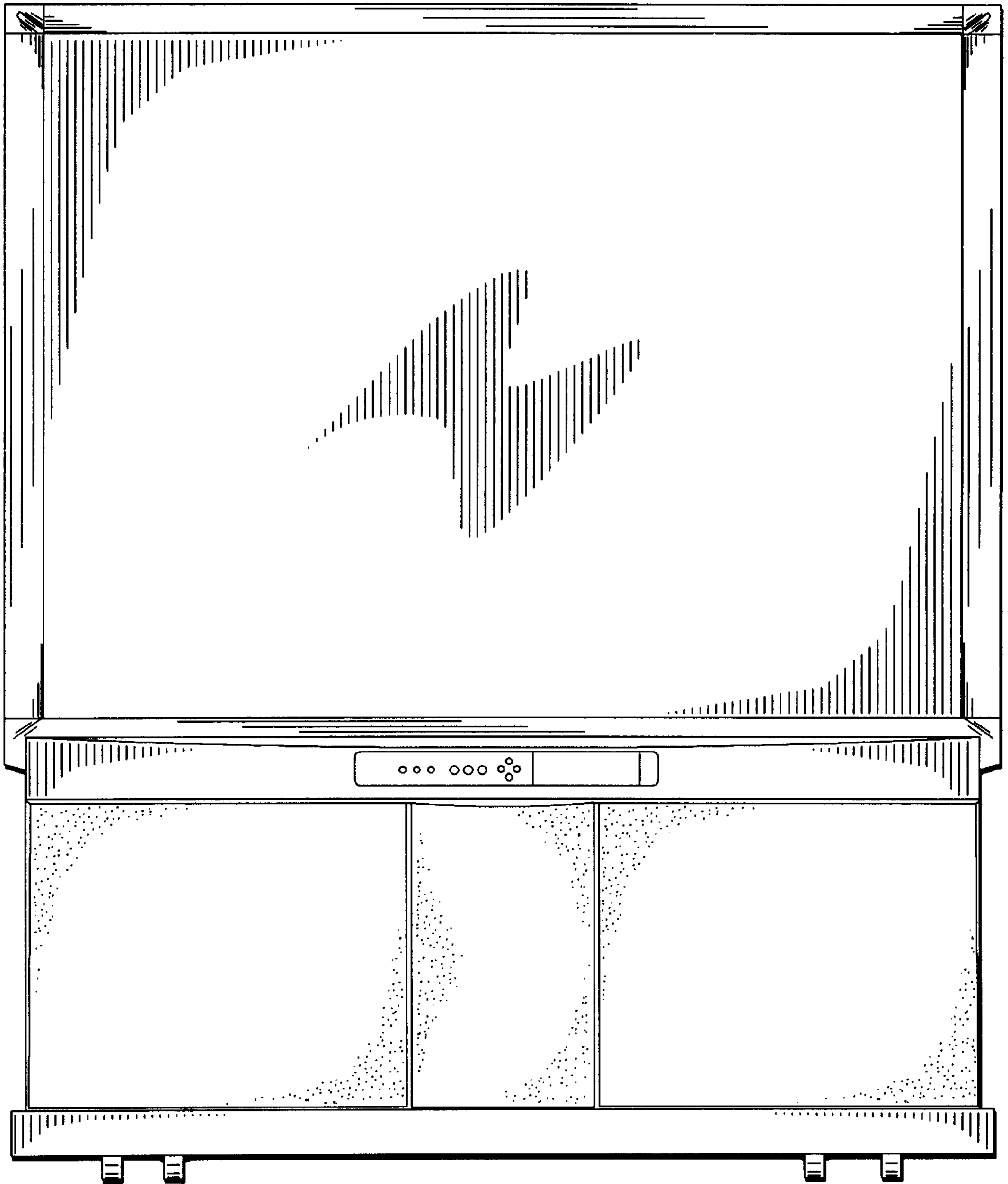
D. 368,087 3/1996 Gioscia ..... D14/128  
D. 384,659 10/1997 Suzuki ..... D14/126  
4,941,036 7/1990 Itoh ..... 348/787 X

**1 Claim, 5 Drawing Sheets**

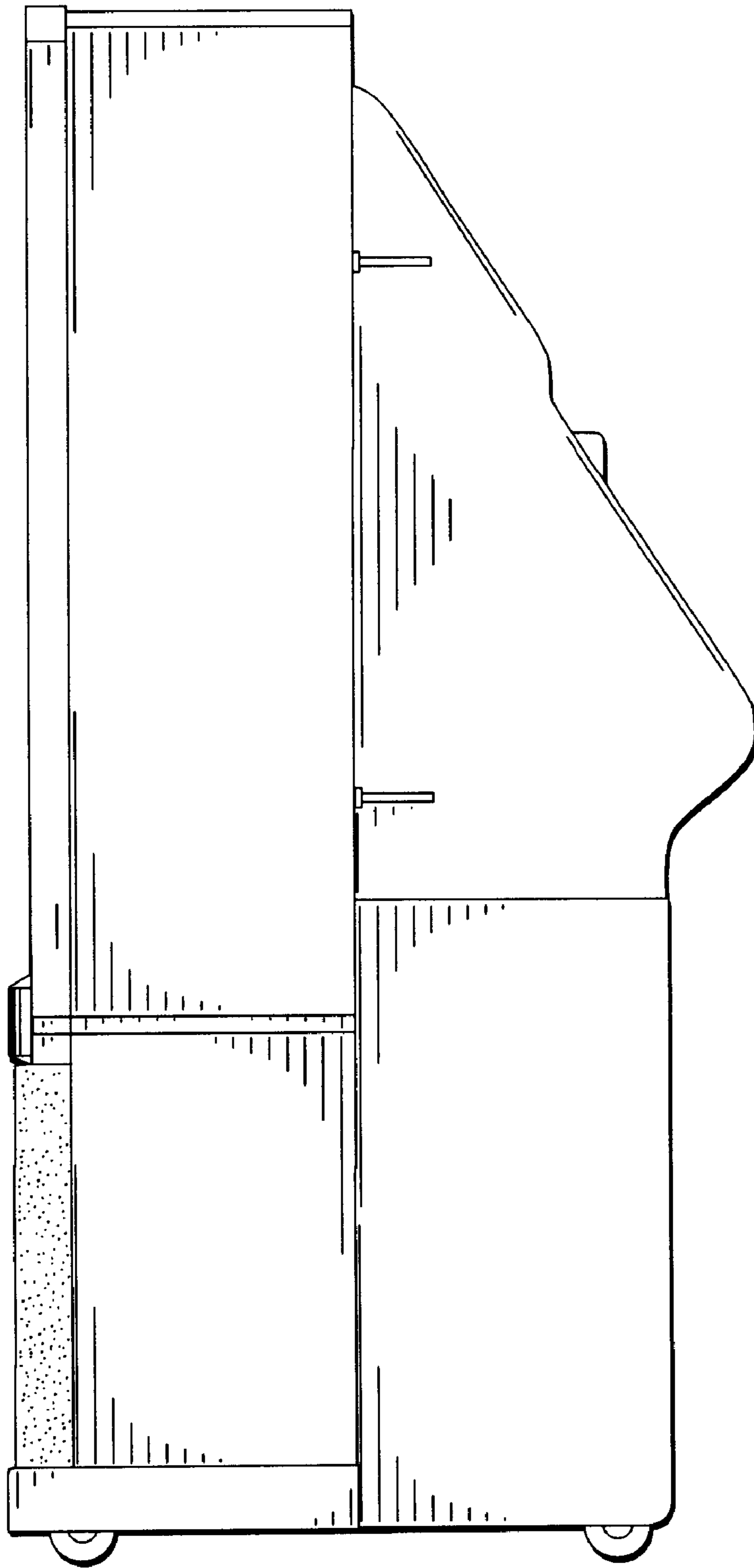




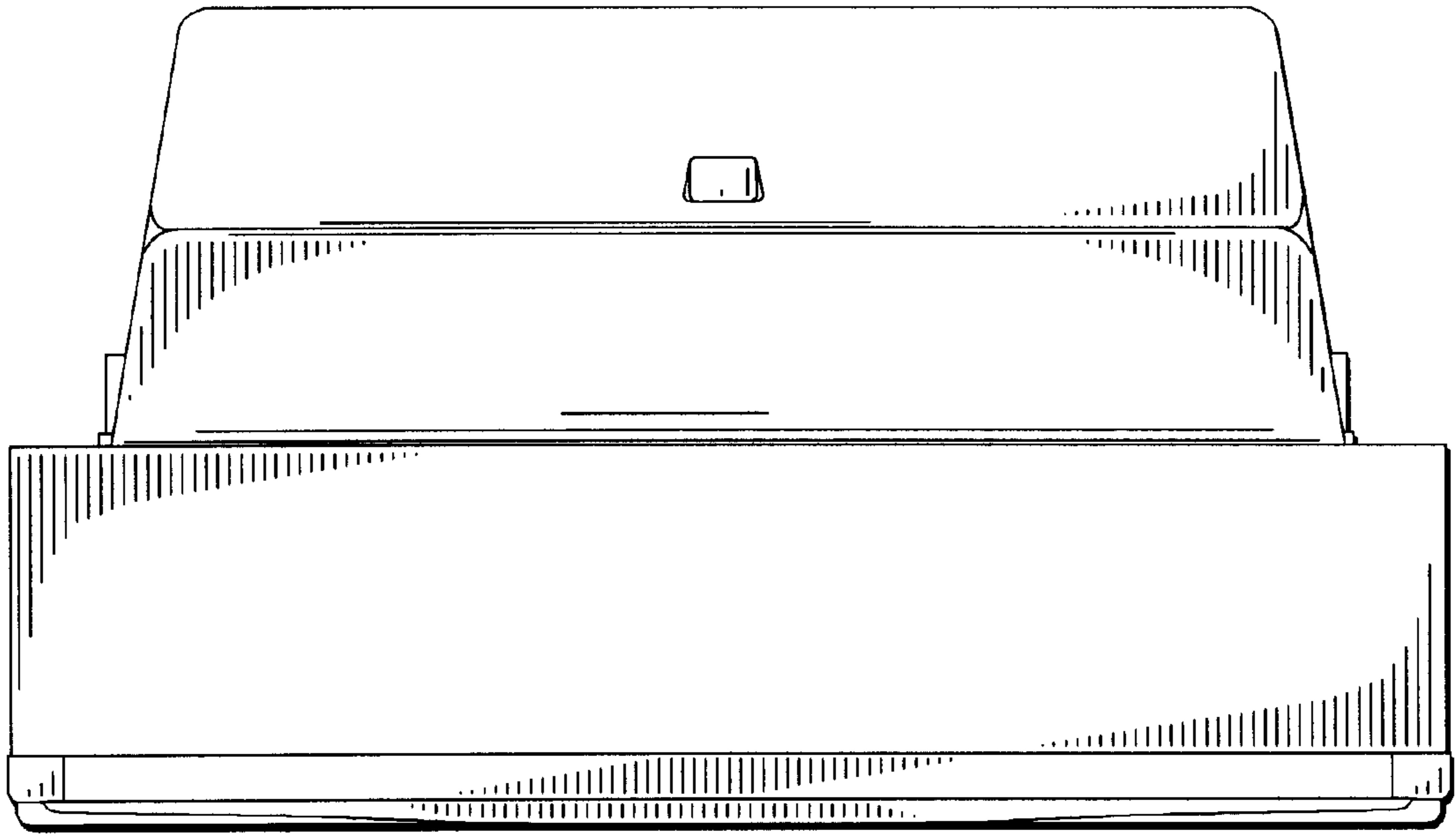
**FIG. 1**



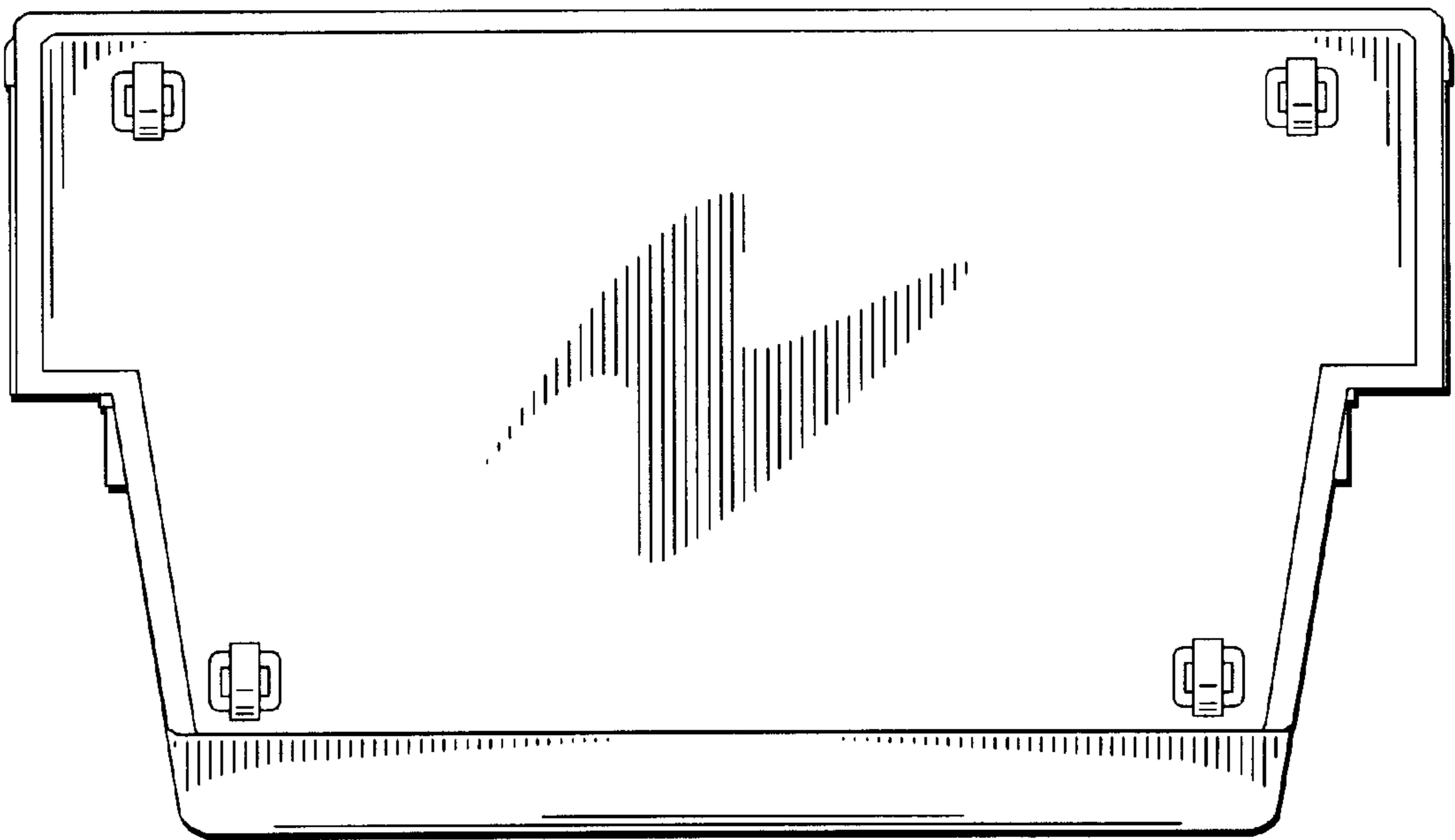
**FIG. 2**



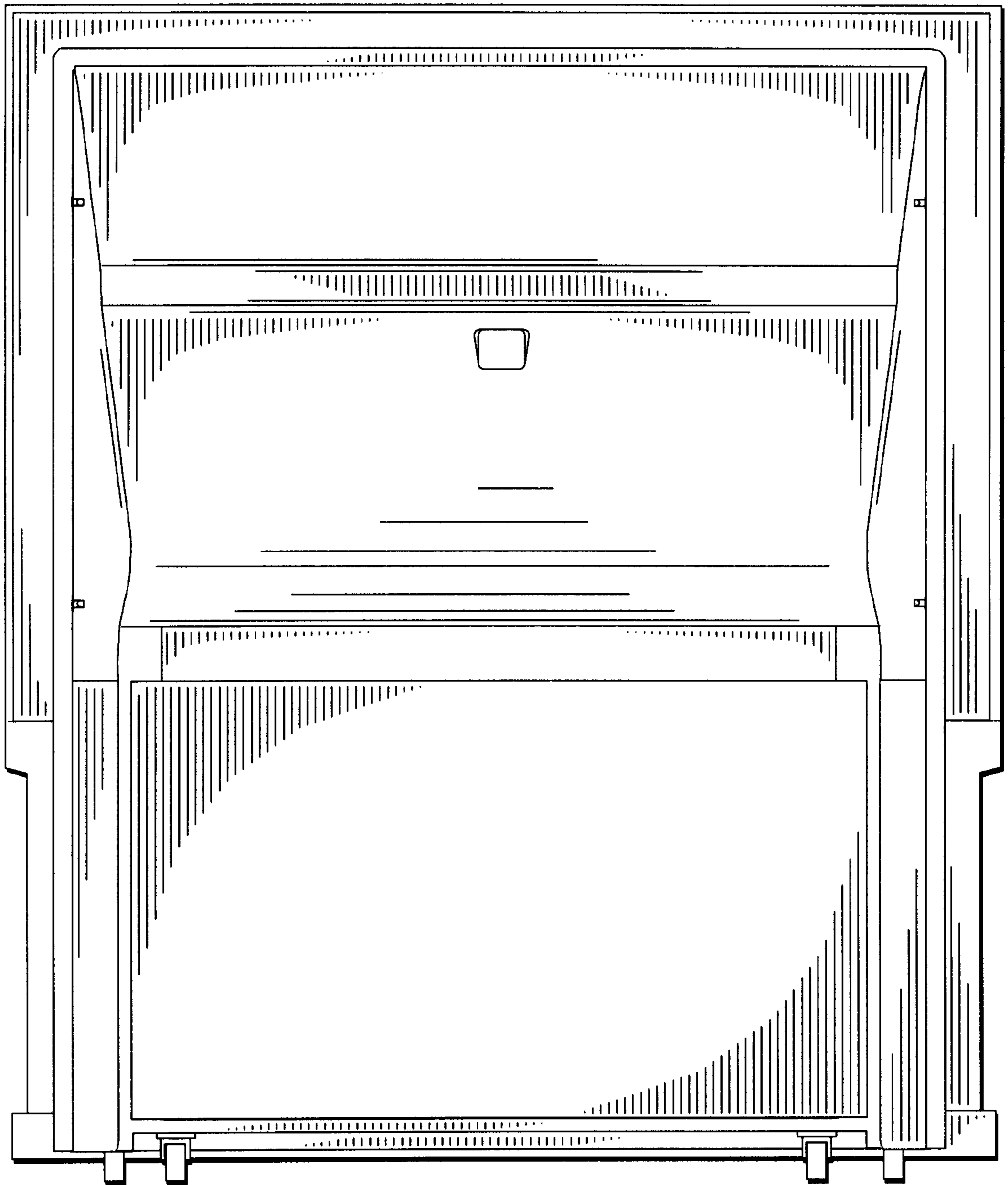
**FIG. 3**



**FIG. 4**



**FIG. 5**



**FIG. 6**