



US00D410915S

United States Patent [19] Suzuki

[11] **Patent Number: Des. 410,915**
[45] **Date of Patent: ** Jun. 15, 1999**

[54] **FACSIMILE TRANSCEIVER**

[75] Inventor: **Yumiko Suzuki**, Kodaira, Japan

[73] Assignee: **Kabushiki Kaisha Tec**, Shizuoka, Japan

[**] Term: **14 Years**

[21] Appl. No.: **29/084,933**

[22] Filed: **Mar. 13, 1998**

[30] **Foreign Application Priority Data**

Sep. 16, 1997 [JP] Japan 9-67514

[51] **LOC (6) Cl.** **16-03**

[52] **U.S. Cl.** **D14/118**

[58] **Field of Search** D14/118, 124, D14/299; 358/400, 401; D18/36, 37

[56] **References Cited**

U.S. PATENT DOCUMENTS

- D. 331,579 12/1992 Iwasaki et al. D14/118
- D. 363,278 10/1995 Kakshiwabara et al. D14/118
- D. 365,343 12/1995 Omino D14/118
- D. 371,124 6/1996 Yamaguchi D14/118

- D. 376,793 12/1996 Satoh et al. D14/118
- D. 376,794 12/1996 Lim D14/118
- 4,872,061 10/1989 Uchiyama D58/400
- 4,914,281 4/1990 Benton et al. D14/118 X
- 5,183,431 2/1993 Todokoro D14/118 X

OTHER PUBLICATIONS

Panasonic Brochure, Panafax Facsimile, Jun. 1994.
Radioshack, p. 4, 1991.

Primary Examiner—Prabhakar Deshmukh
Attorney, Agent, or Firm—Bacon & Thomas, PLLC

[57] **CLAIM**

The ornamental design for facsimile transceiver, as shown.

DESCRIPTION

FIG. 1 is a front, top and left side perspective view of facsimile transceiver, showing my new design; FIG. 2 is a front elevational view thereof; FIG. 3 is a rear elevational view thereof; FIG. 4 is a left side elevational view thereof; FIG. 5 is a right side elevational view thereof; FIG. 6 is a top plan view thereof; and, FIG. 7 is a bottom plan view thereof.

1 Claim, 3 Drawing Sheets

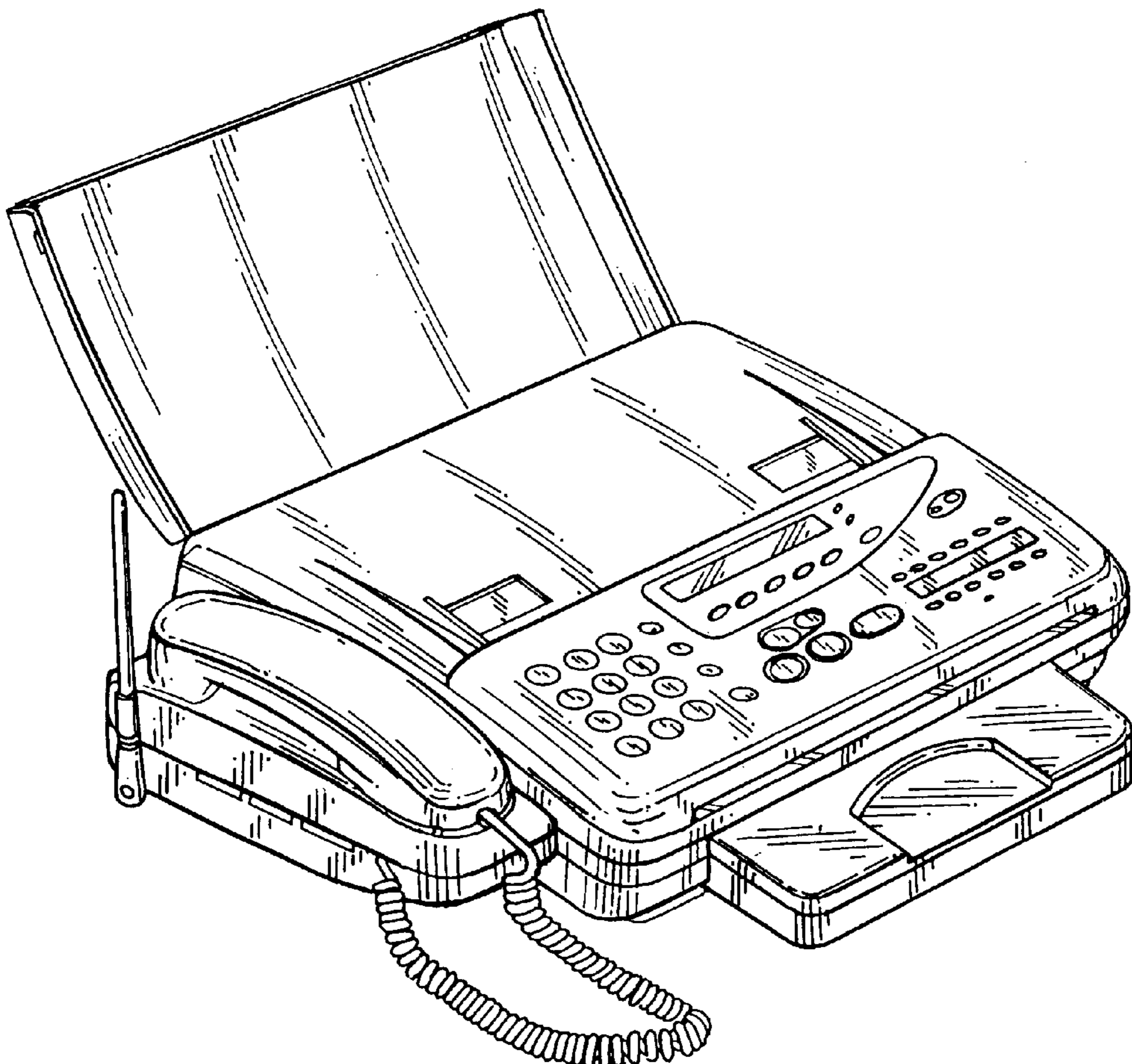


FIG.1

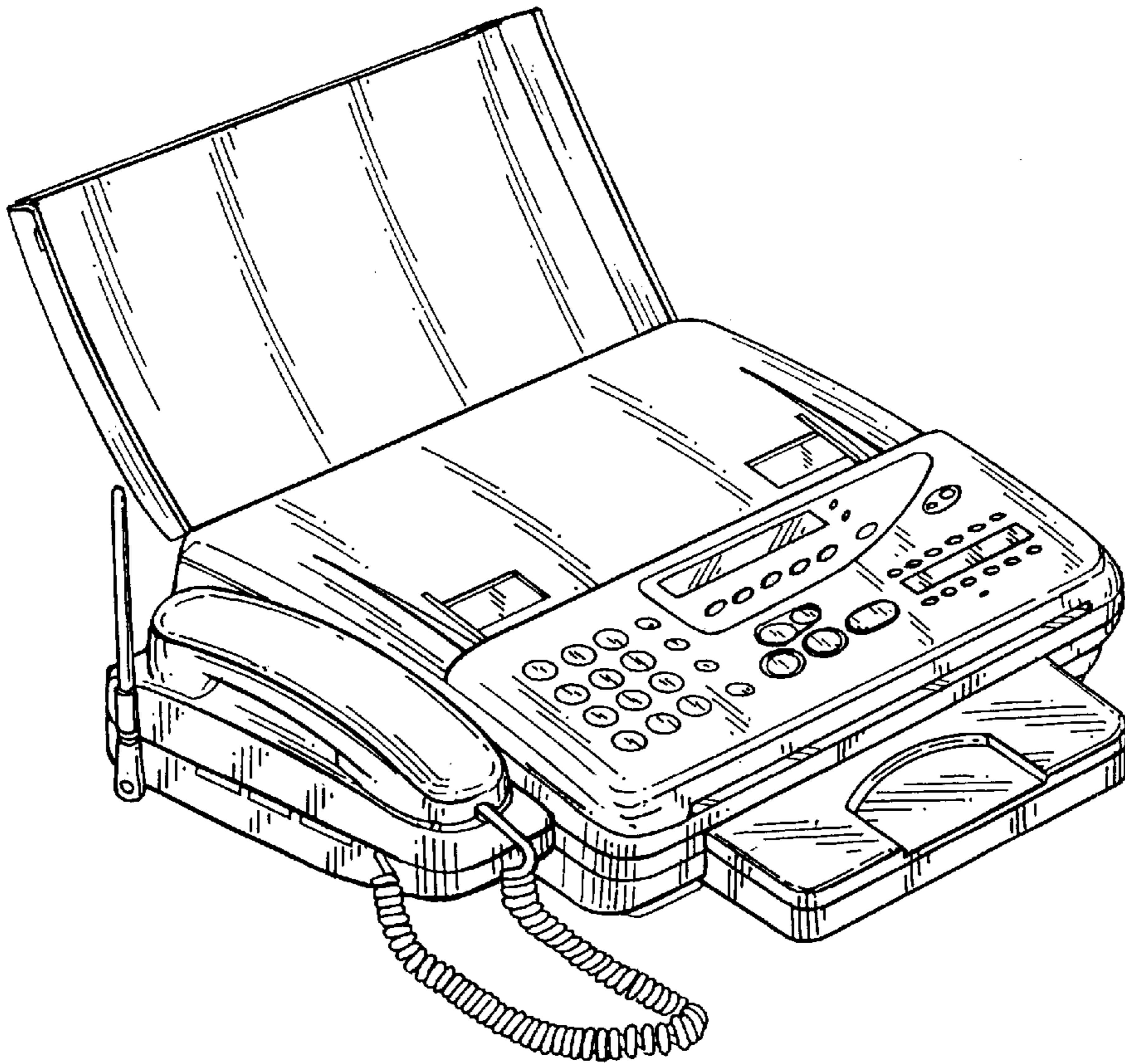


FIG.2

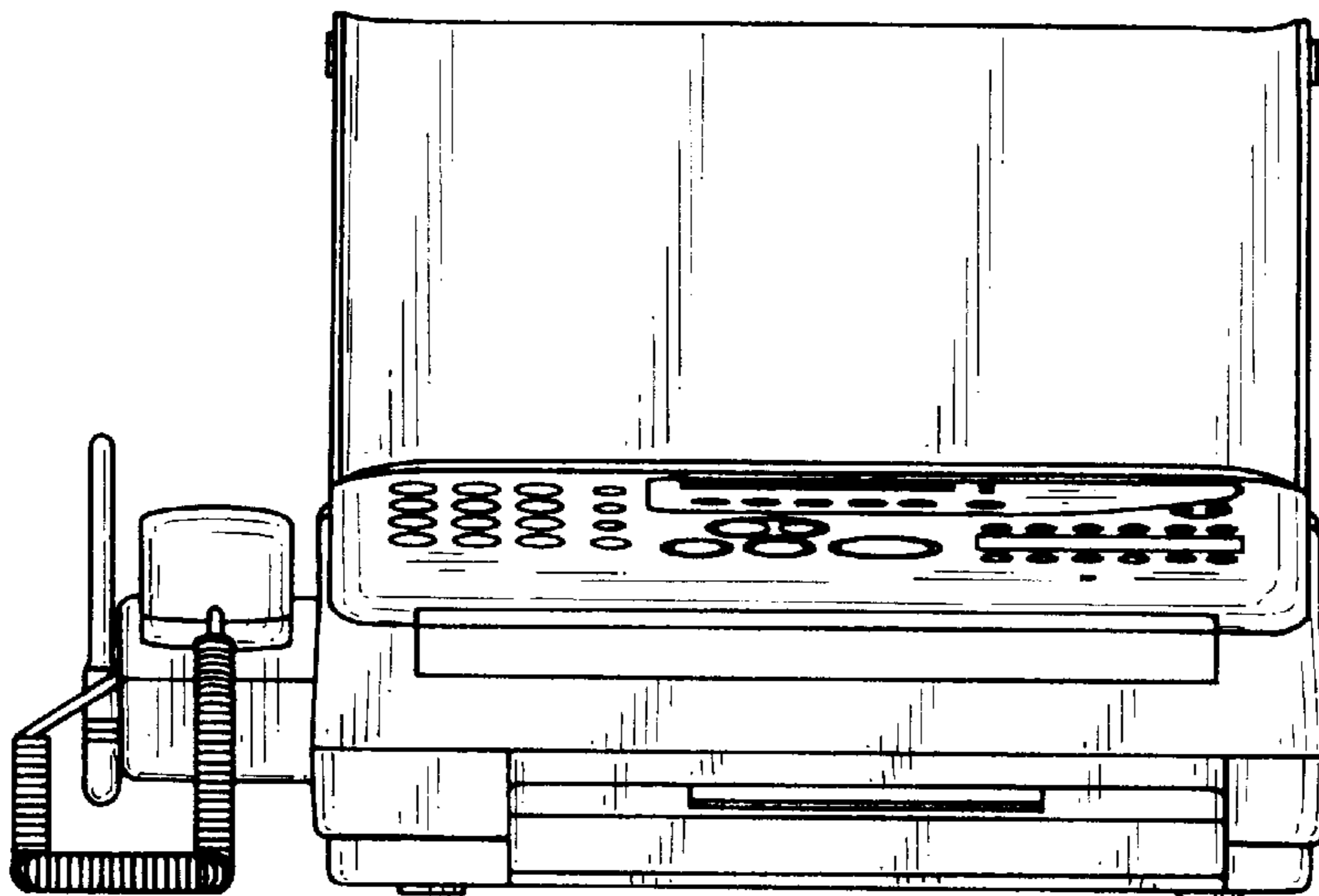


FIG.3

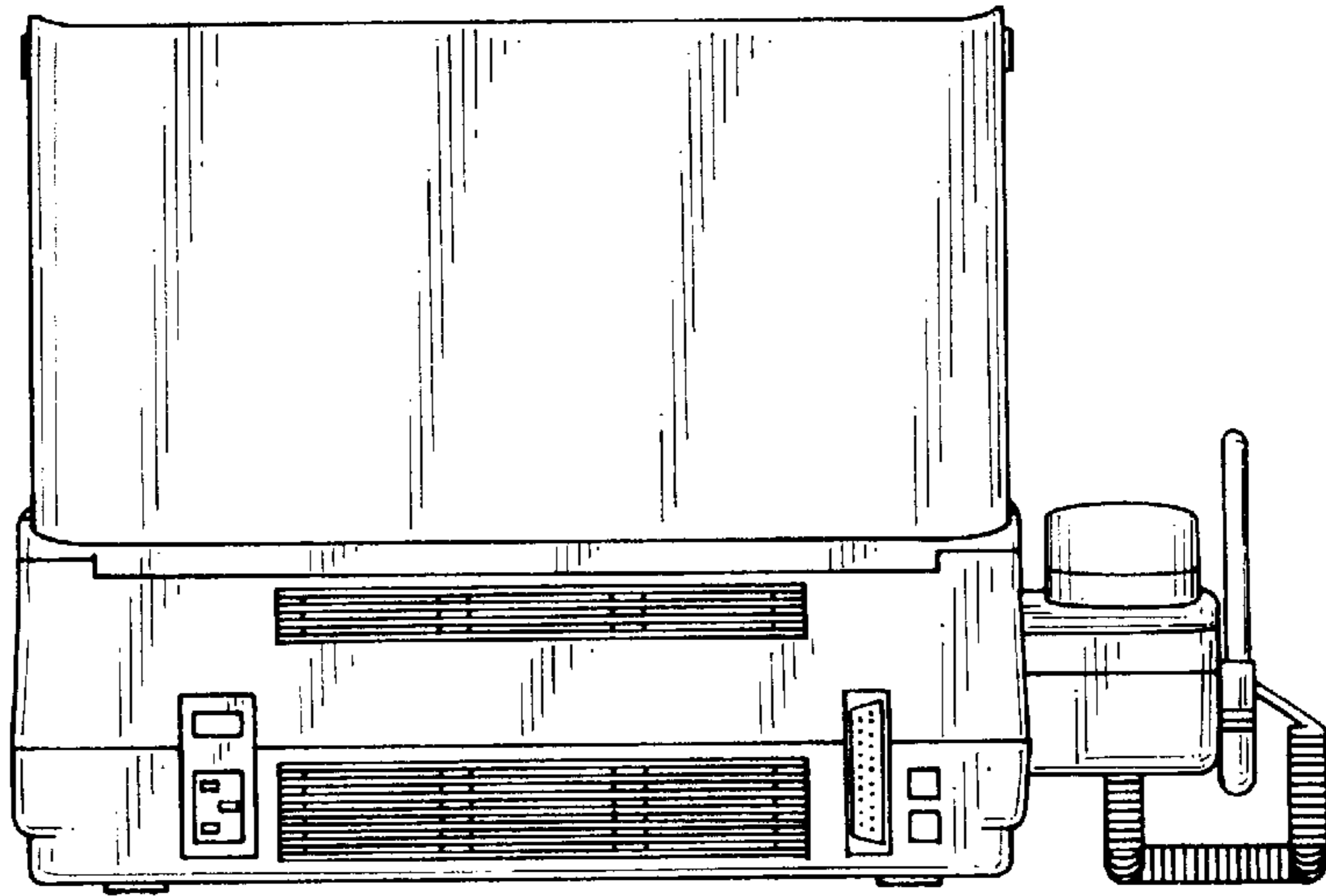


FIG.4

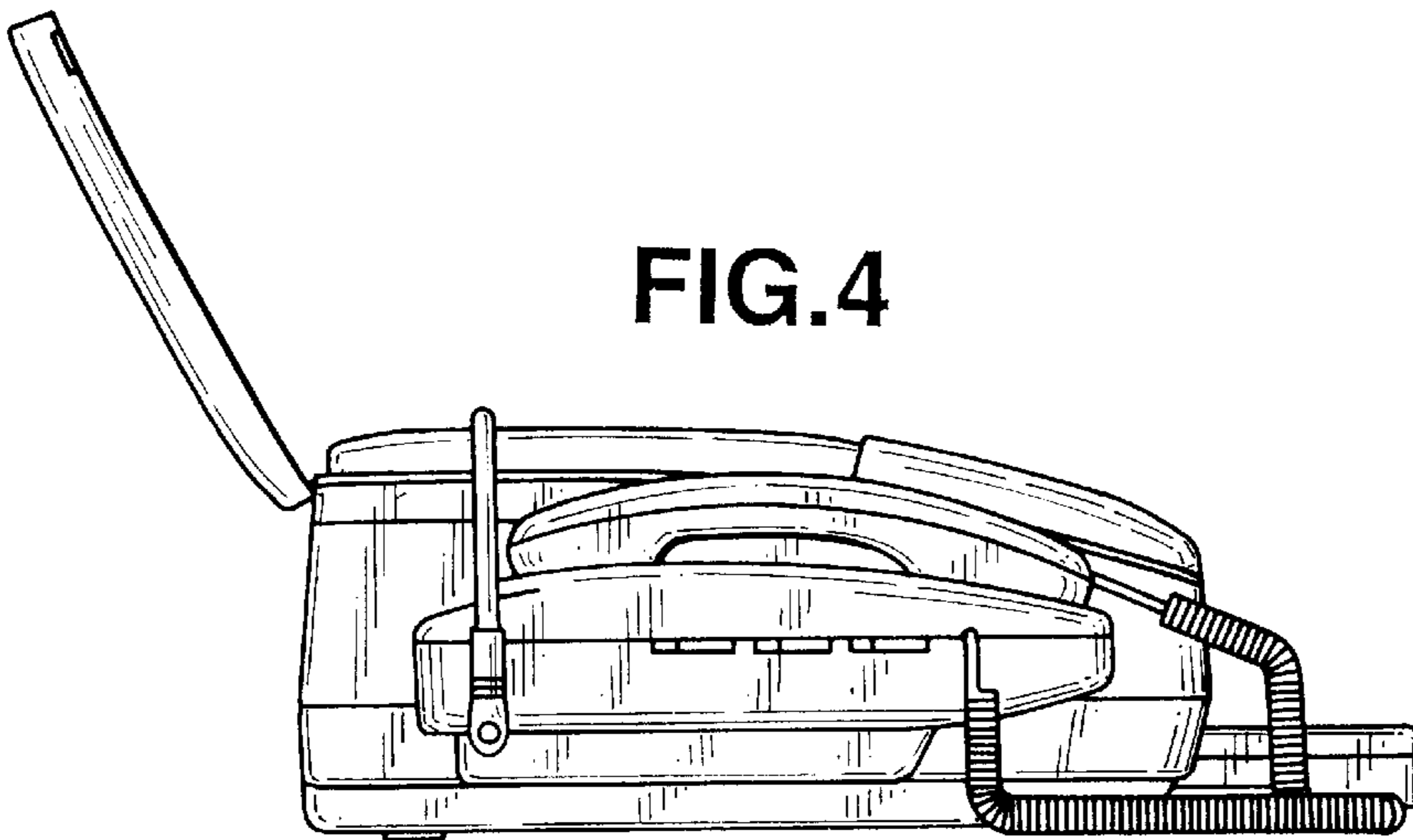


FIG.5

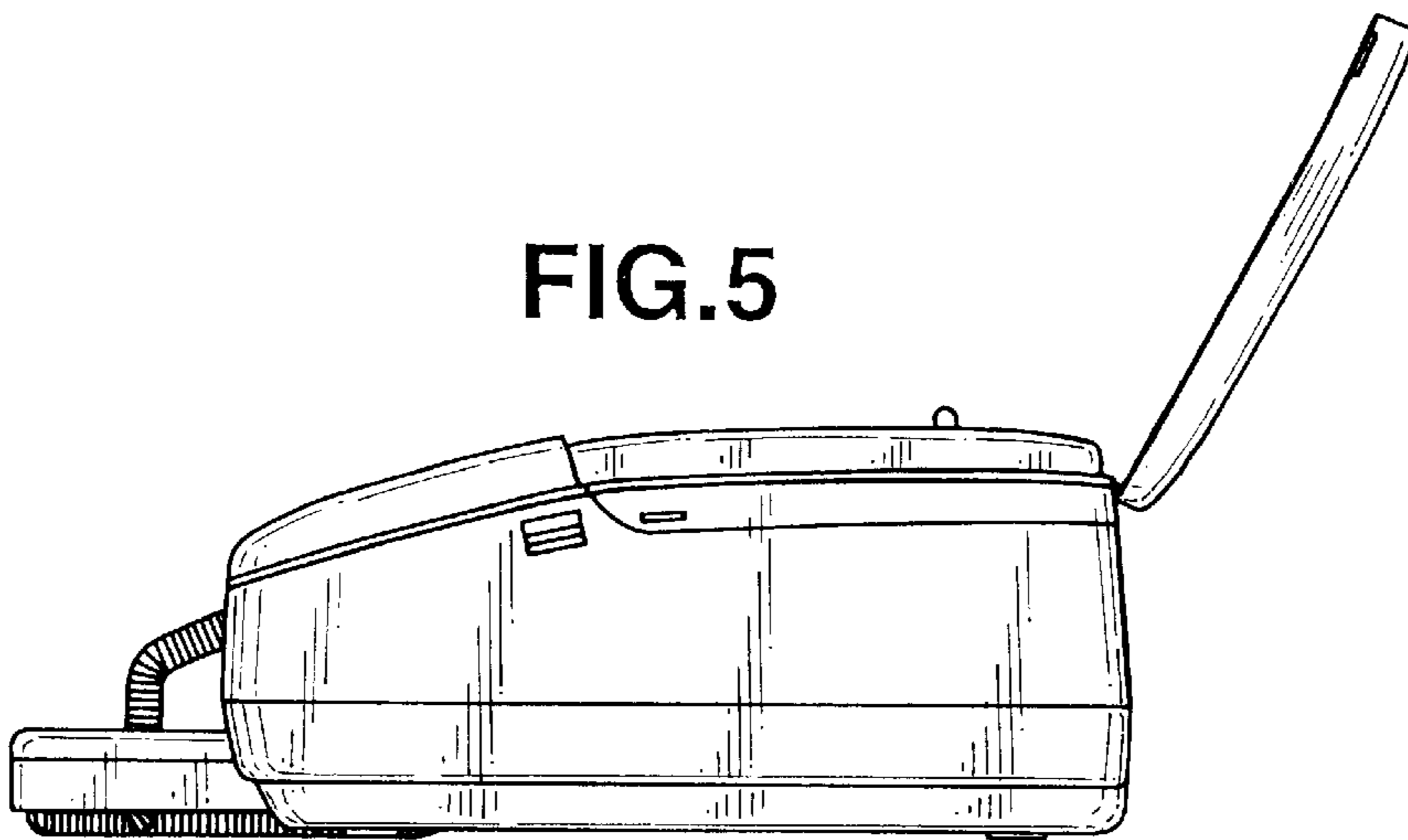


FIG.6

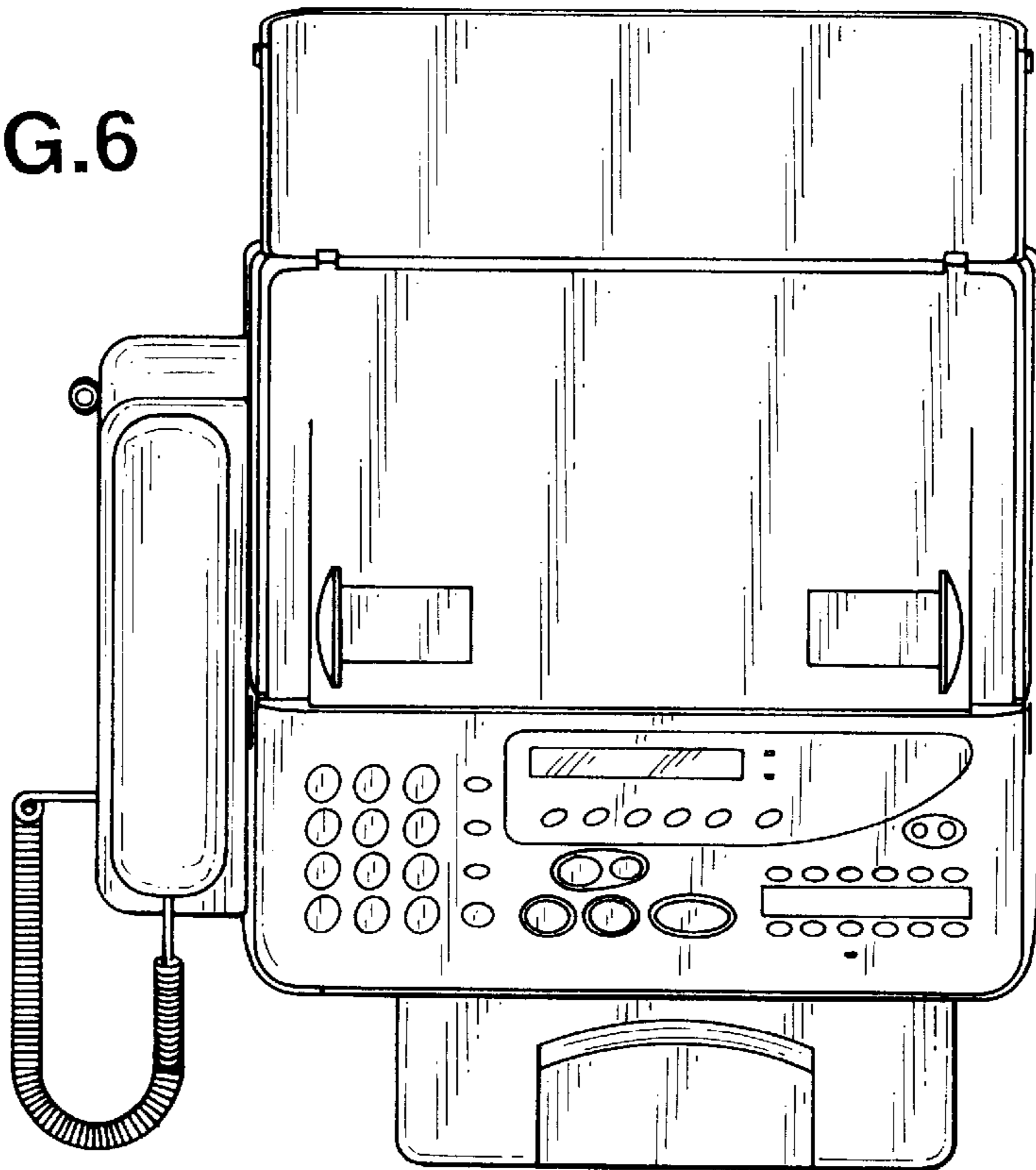
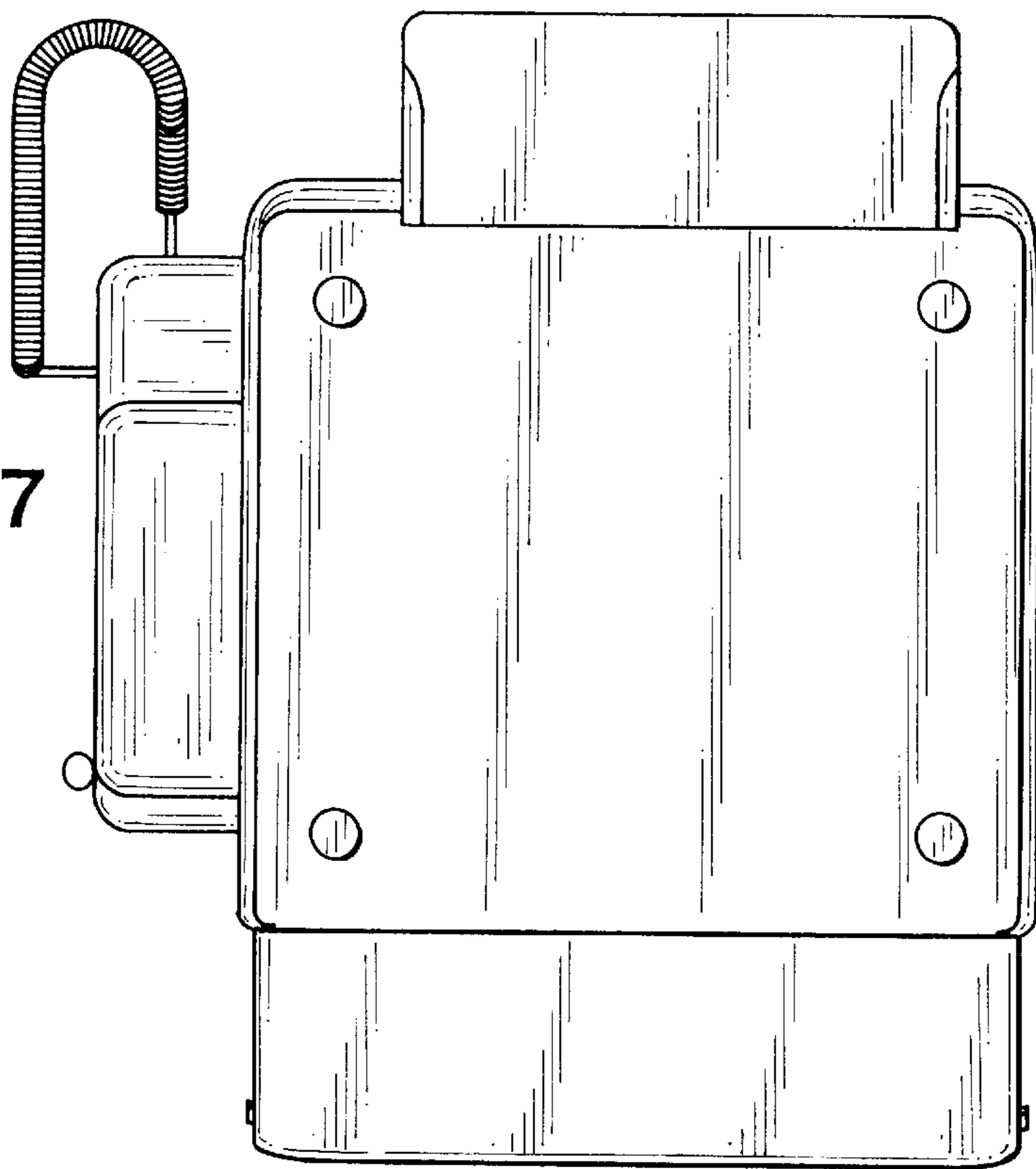


FIG.7



UNITED STATES PATENT AND TRADEMARK OFFICE
CERTIFICATE OF CORRECTION

PATENT NO. : Des. 410,915
DATED : June 15, 1999
INVENTOR(S) : Yumiko SUZUKI

It is certified that error appears in the above-identified patent and that said Letters Patent is hereby corrected as shown below:

On the title page, item :
[73]; change "Tec" to —TEC—

Signed and Sealed this
Thirtieth Day of November, 1999

Attest:



Q. TODD DICKINSON

Attesting Officer

Acting Commissioner of Patents and Trademarks