



US00D410913S

# United States Patent [19]

Saito et al.

[11] Patent Number: Des. 410,913

[45] Date of Patent: \*\* Jun. 15, 1999

[54] LC CARD

[75] Inventors: **Asao Saito**, Tokorozawa; **Yuichi Kato**, Higashiyamato; **Yoshikazu Koganei**, Higashikurume, all of Japan

[73] Assignee: **Citizen Watch Co., Ltd.**, Tokyo, Japan

[\*\*] Term: **14 Years**

[21] Appl. No.: **29/081,632**

[22] Filed: **Jan. 7, 1998**

### [30] Foreign Application Priority Data

Oct. 13, 1997 [JP] Japan ..... 9-70861

[51] LOC (6) Cl. .... **14-02**

[52] U.S. Cl. .... **D14/117**

[58] Field of Search ..... D14/114, 117; 361/686, 737, 753, 684; 174/52.1; 235/382.5, 375, 487-94, 441-3

### [56] References Cited

#### U.S. PATENT DOCUMENTS

- D. 305,886 2/1990 Banjo et al. .... D14/117
- D. 313,229 12/1990 Audebert et al. .... D14/117
- D. 330,022 10/1992 Chen ..... D14/117
- D. 370,904 6/1996 Nakata et al. .... D14/117
- D. 392,965 3/1998 Copeland et al. .... D14/117

#### FOREIGN PATENT DOCUMENTS

845 778 8/1992 Japan .

- 852 157 11/1992 Japan .
- 887 388 12/1993 Japan .
- 887 388 1/1994 Japan .
- 899 231 5/1994 Japan .
- 899 392 5/1994 Japan .
- 900 195 6/1994 Japan .
- 923 537 4/1995 Japan .
- 887 388 9/1995 Japan .
- 934 410 9/1995 Japan .
- 949 740 3/1996 Japan .
- 953 891 5/1996 Japan .
- 971 560 1/1997 Japan .

### OTHER PUBLICATIONS

Catalogs: 1. Chipcard TC-100—Japan IBM Jun. 1995.

*Primary Examiner*—M. H. Tung  
*Attorney, Agent, or Firm*—Pillsbury Madison & Sutro LLP

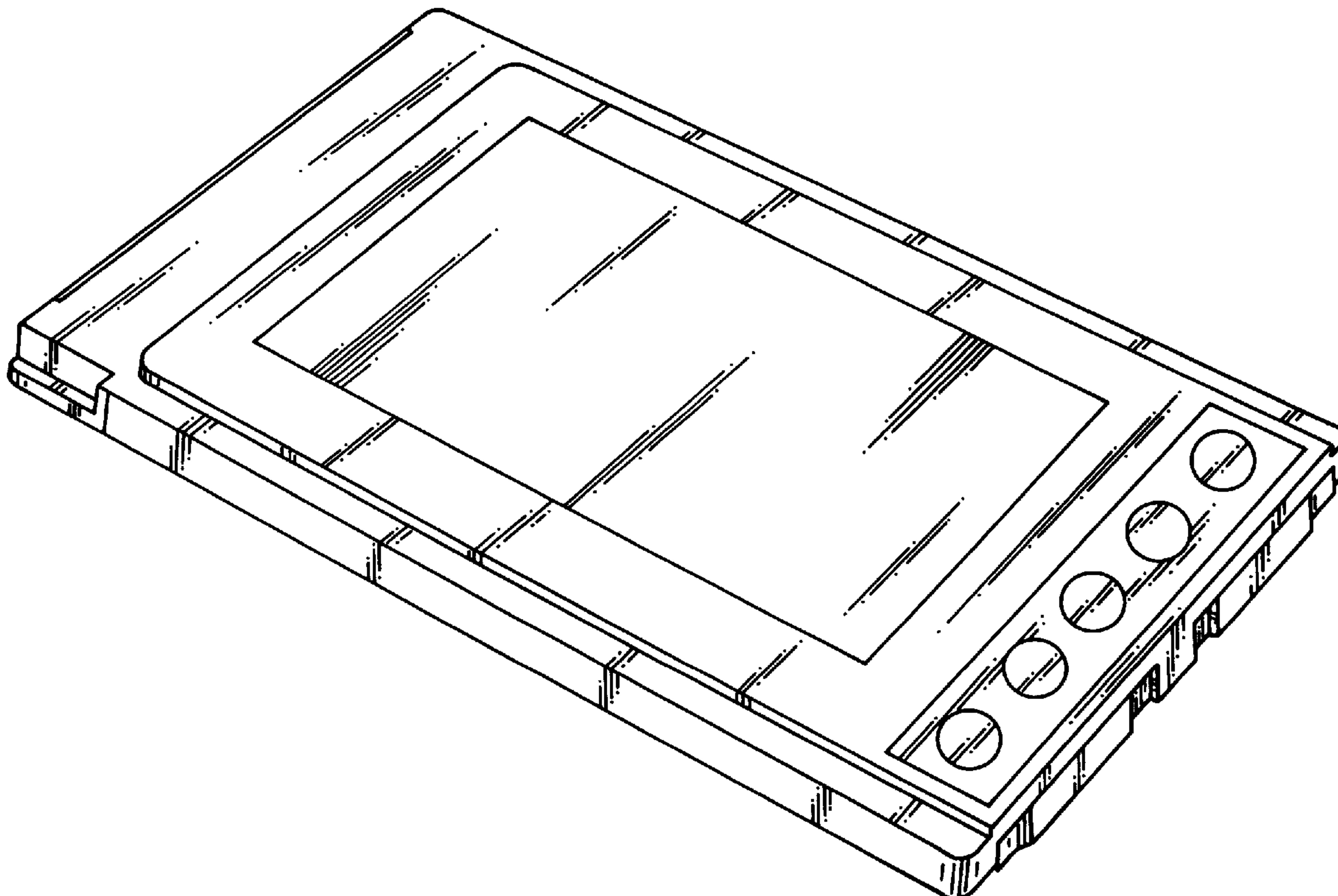
### [57] CLAIM

The ornamental design for an LC card, as shown.

### DESCRIPTION

FIG. 1 is a top plan view of a LC card showing our design, FIG. 2 is a bottom plan view thereof, FIG. 3 is a front elevational view thereof, FIG. 4 is a rear elevational view thereof, FIG. 5 is a right side elevational view thereof, FIG. 6 is a left side elevational view thereof; and, FIG. 7 is a top, front and right side perspective view thereof.

**1 Claim, 2 Drawing Sheets**



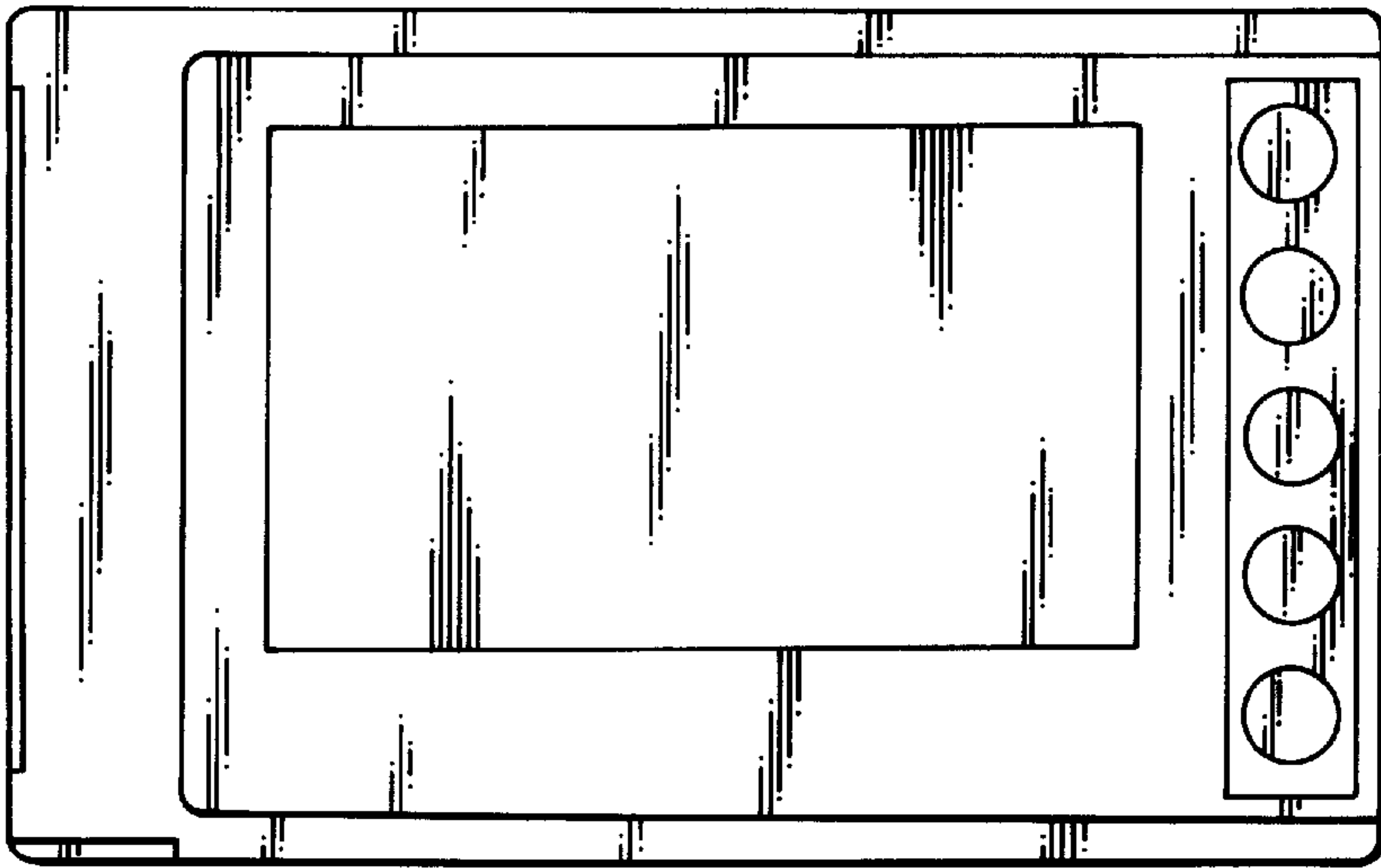


FIG. 1

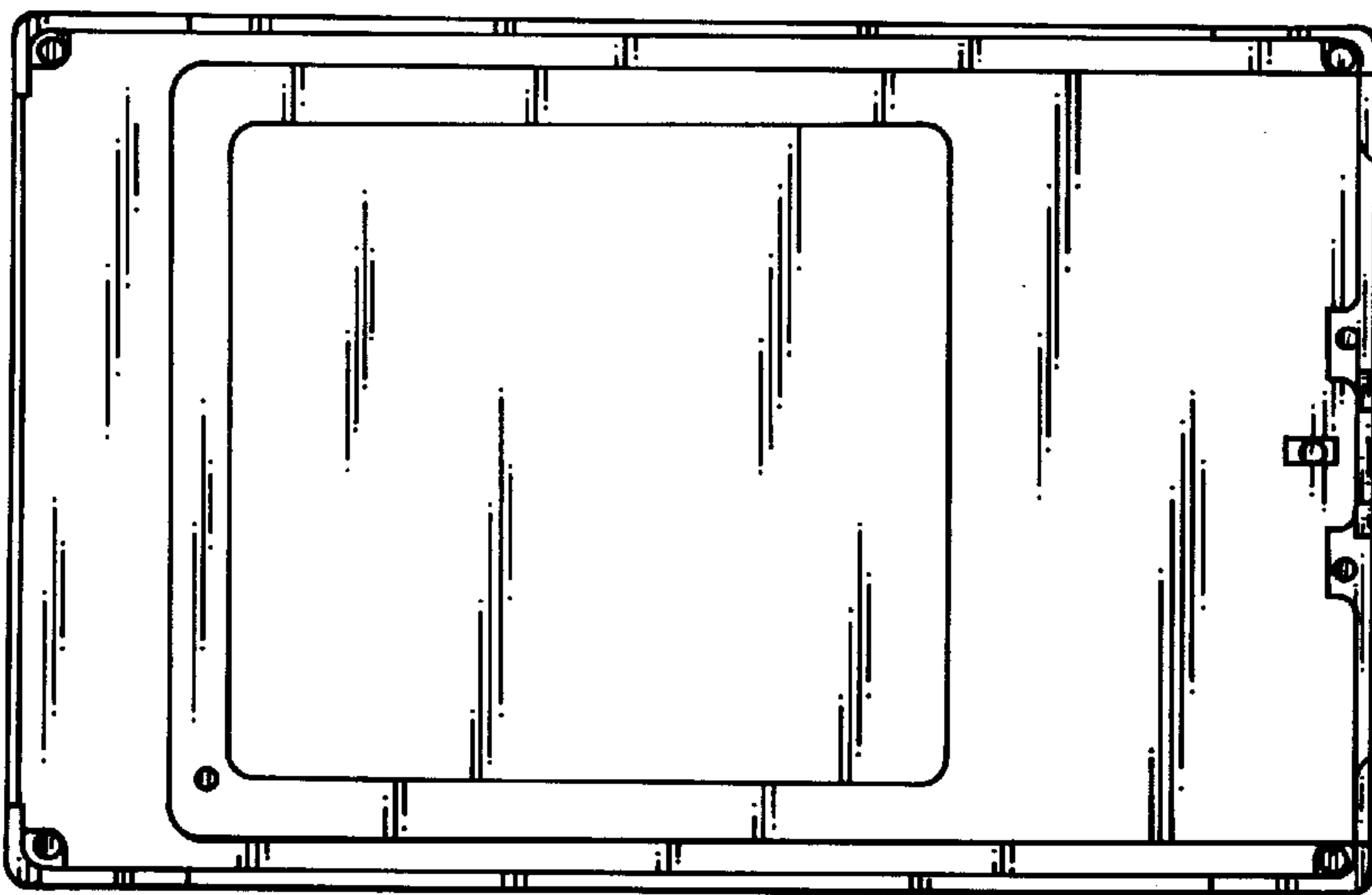


FIG. 2

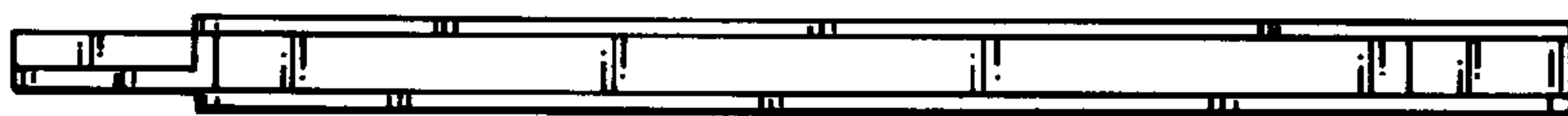


FIG. 3



FIG. 4



FIG. 5



FIG. 6

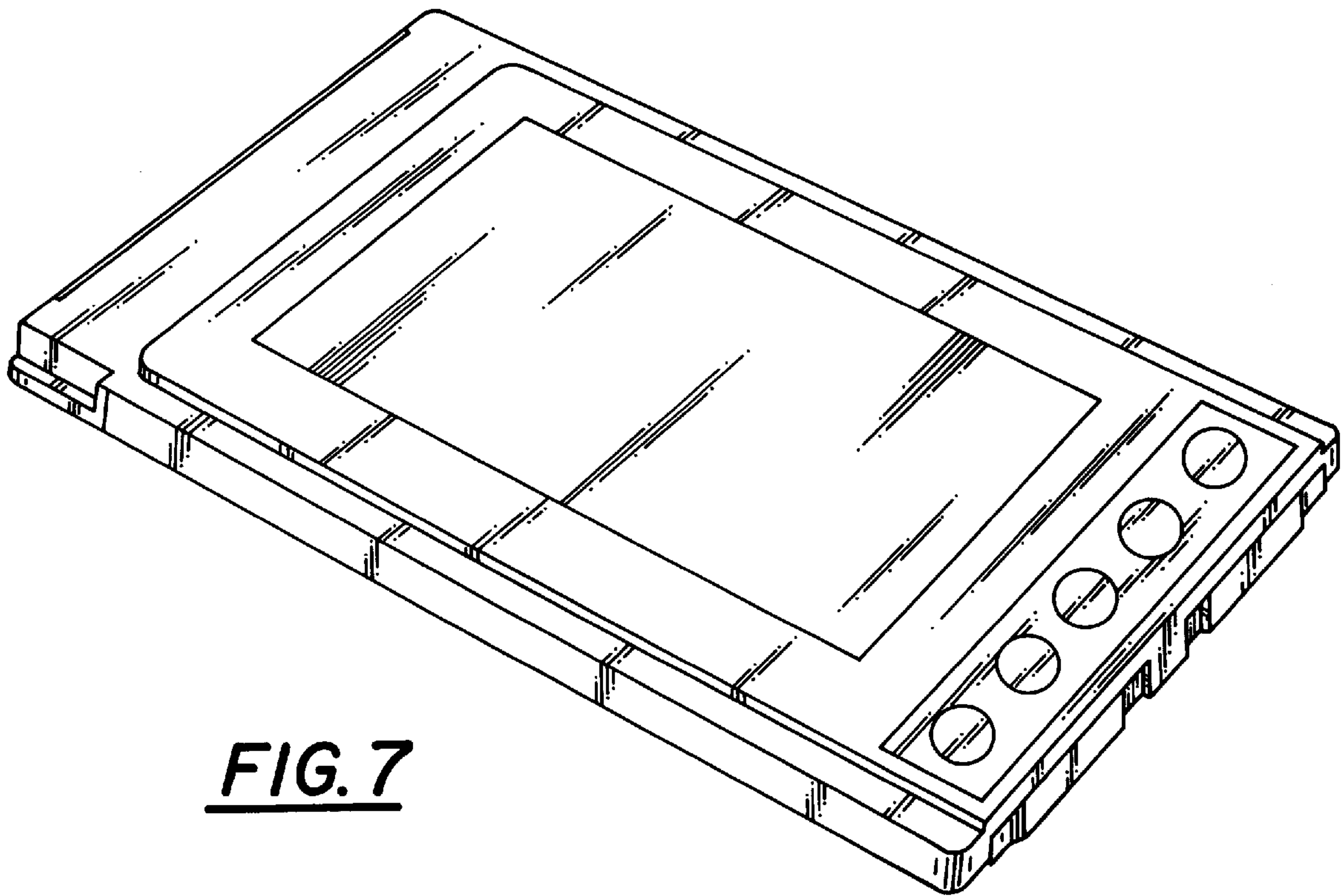


FIG. 7