



US00D410910S

United States Patent [19]
Martell

[11] **Patent Number: Des. 410,910**

[45] **Date of Patent: ** Jun. 15, 1999**

[54] **COMPUTER STAND**

5,170,983 12/1992 Stewart 248/558

[76] Inventor: **Douglas Martell**, RR 1, D'Escousse,
Nova Scotia, Canada, B0E 1K0

Primary Examiner—Kay H. Chin
Attorney, Agent, or Firm—McFadden, Fincham

[**] Term: **14 Years**

[57] **CLAIM**

[21] Appl. No.: **29/092,324**

The ornamental design for a computer stand, as shown and described.

[22] Filed: **Aug. 17, 1998**

DESCRIPTION

[51] **LOC (6) Cl.** **14-02**

[52] **U.S. Cl.** **D14/114; D6/310**

[58] **Field of Search** D14/106, 114,
D14/100; D6/300, 301, 302, 309, 310,
312, 314, 419-431; D19/90, 91, 99, 100;
248/454, 451, 441.1, 442.2, 918, 460; D13/147

FIG. 1 is a front perspective view of a computer stand showing my new design;

FIG. 2 is a rear elevational view thereof;

FIG. 3 is a left side elevational view thereof;

FIG. 4 is a right side elevational view thereof;

FIG. 5 is a bottom plan view thereof;

FIG. 6 is a top plan view thereof;

FIG. 7 is a front elevational view thereof; and,

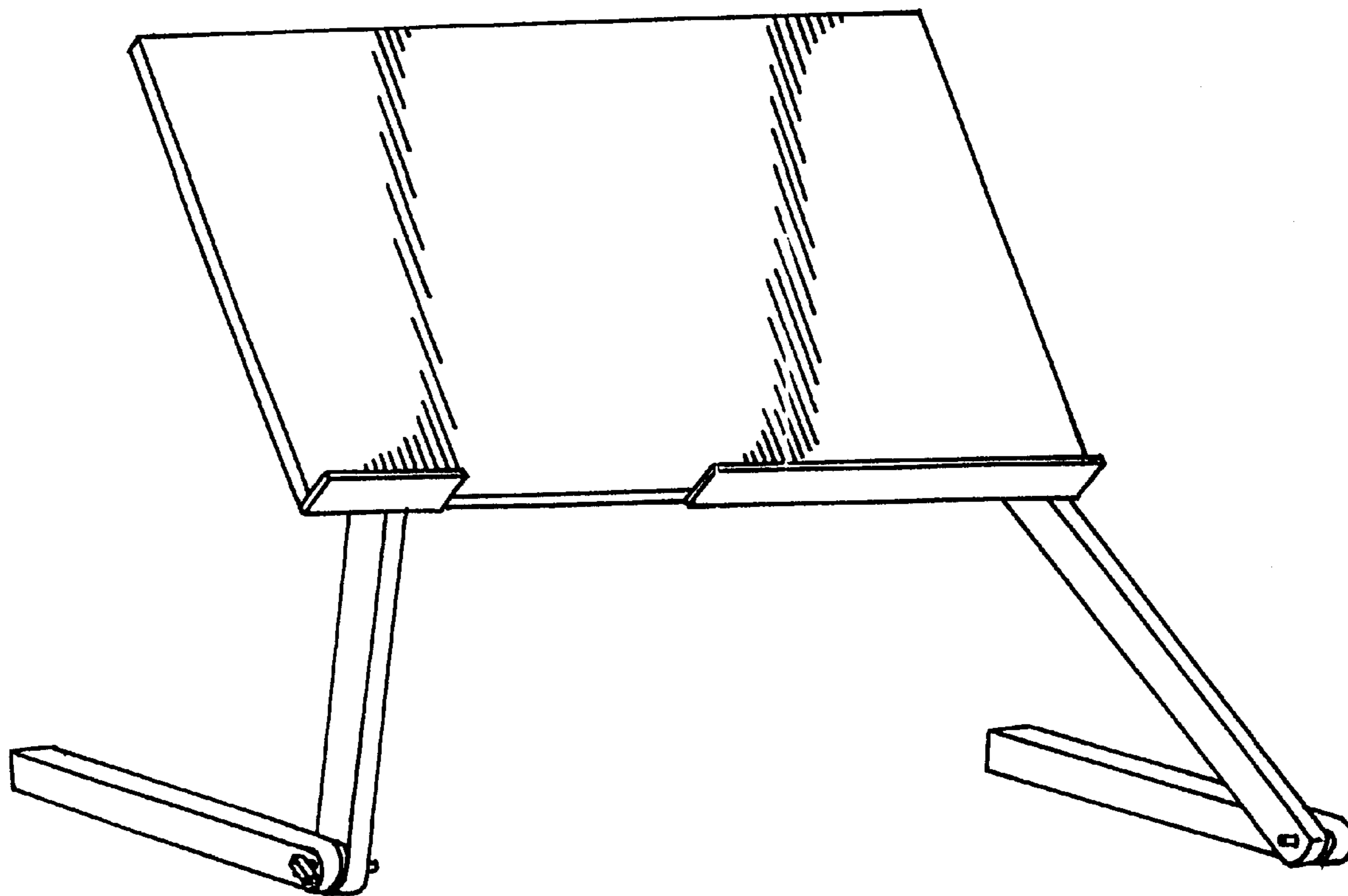
FIG. 8 is a front perspective view thereof showing the stand in a lowered condition.

[56] **References Cited**

U.S. PATENT DOCUMENTS

D. 361,217	8/1995	Glebe	D6/419
4,378,102	3/1983	Portis, Jr. et al.	248/460
4,726,556	2/1988	Weir	248/454

1 Claim, 4 Drawing Sheets



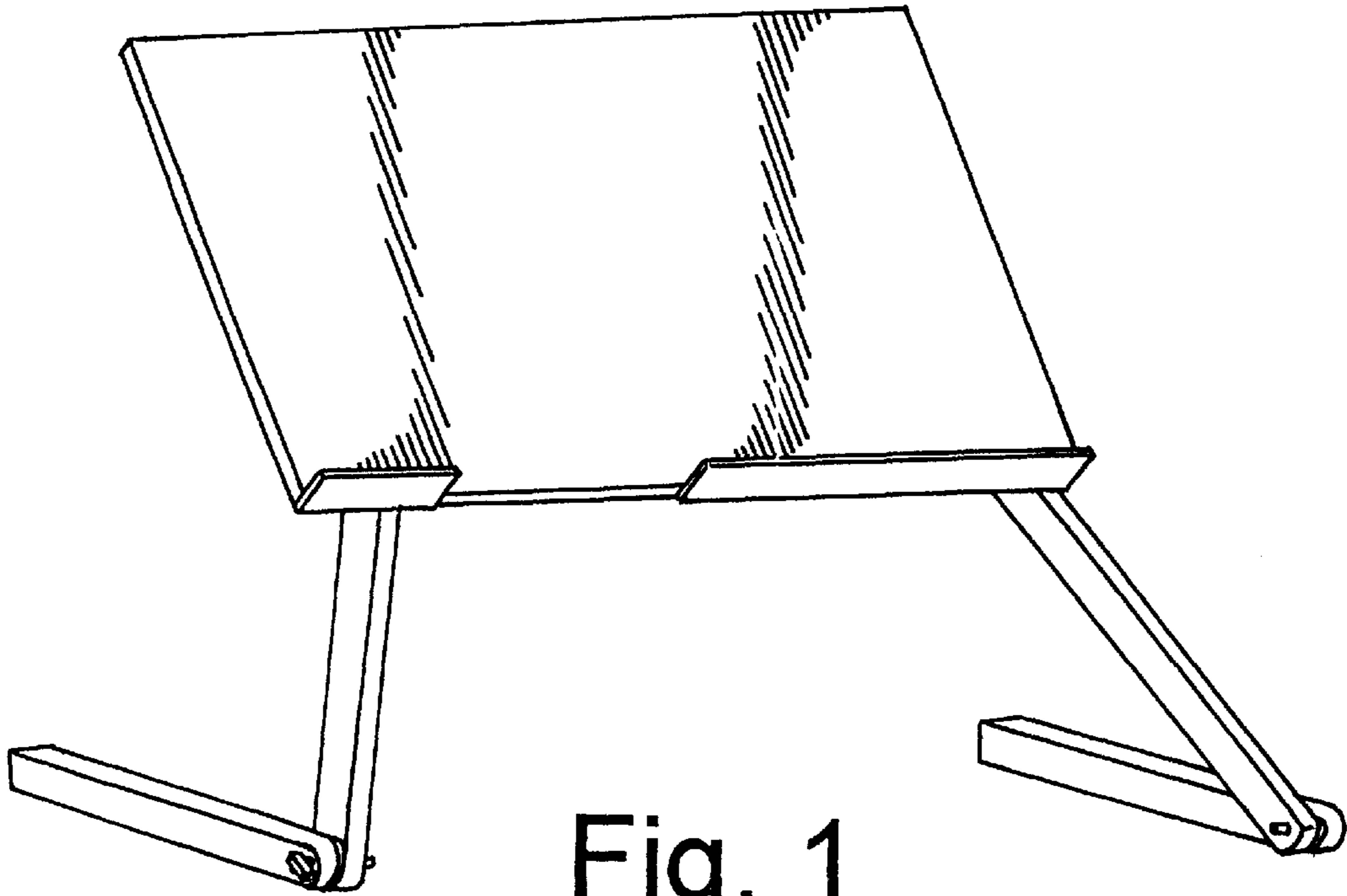


Fig. 1

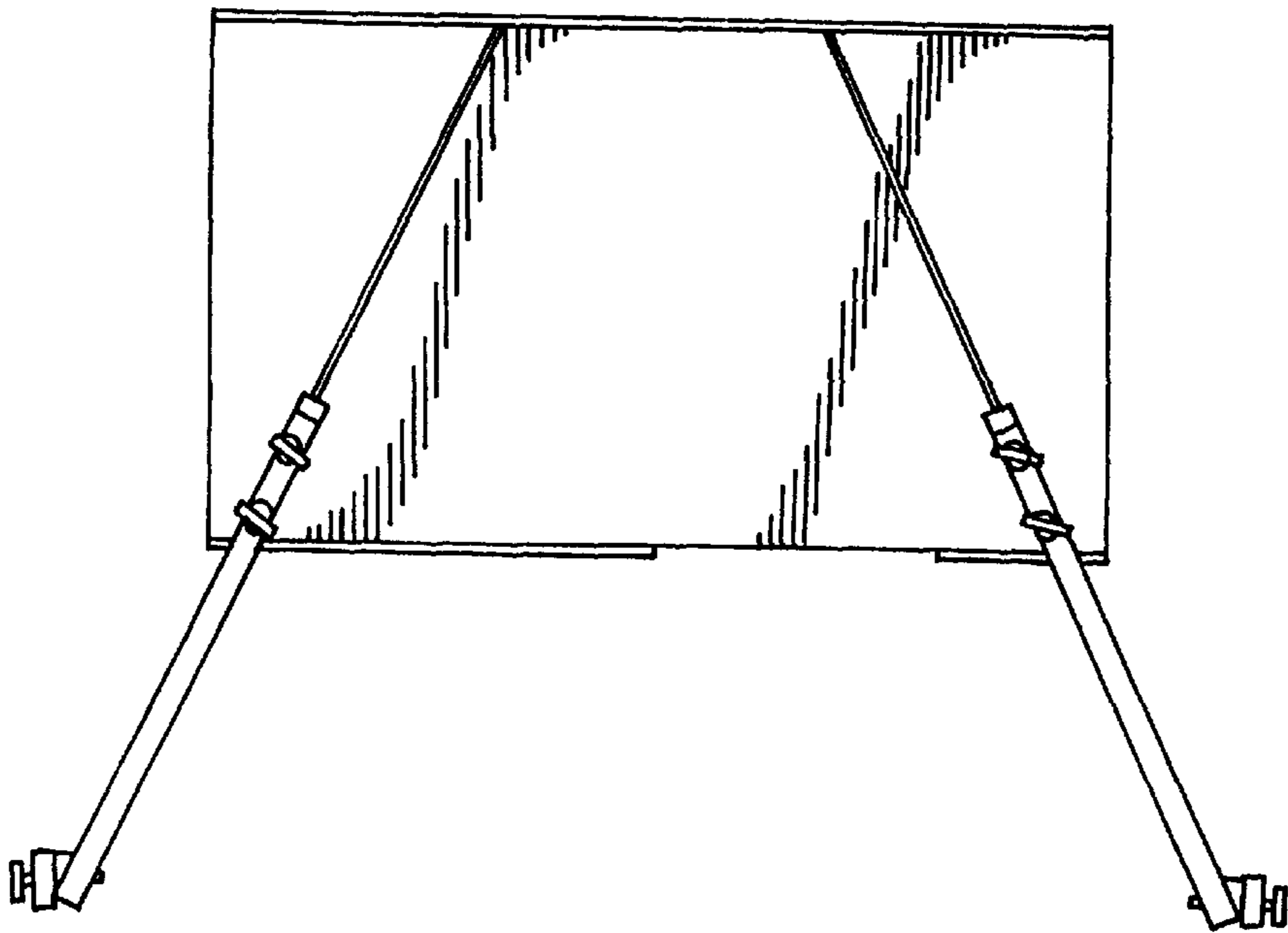


Fig. 2

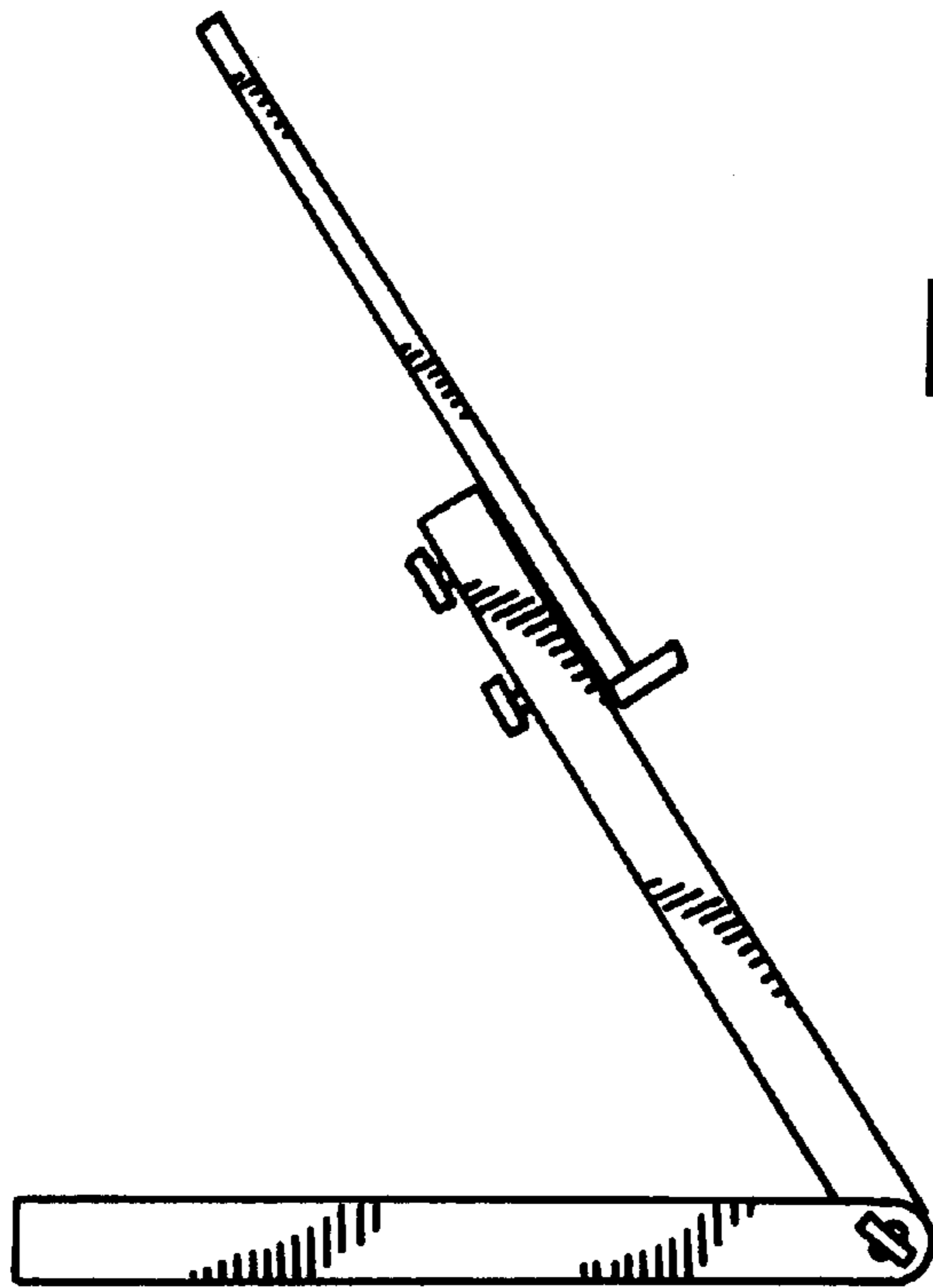


FIG. 3

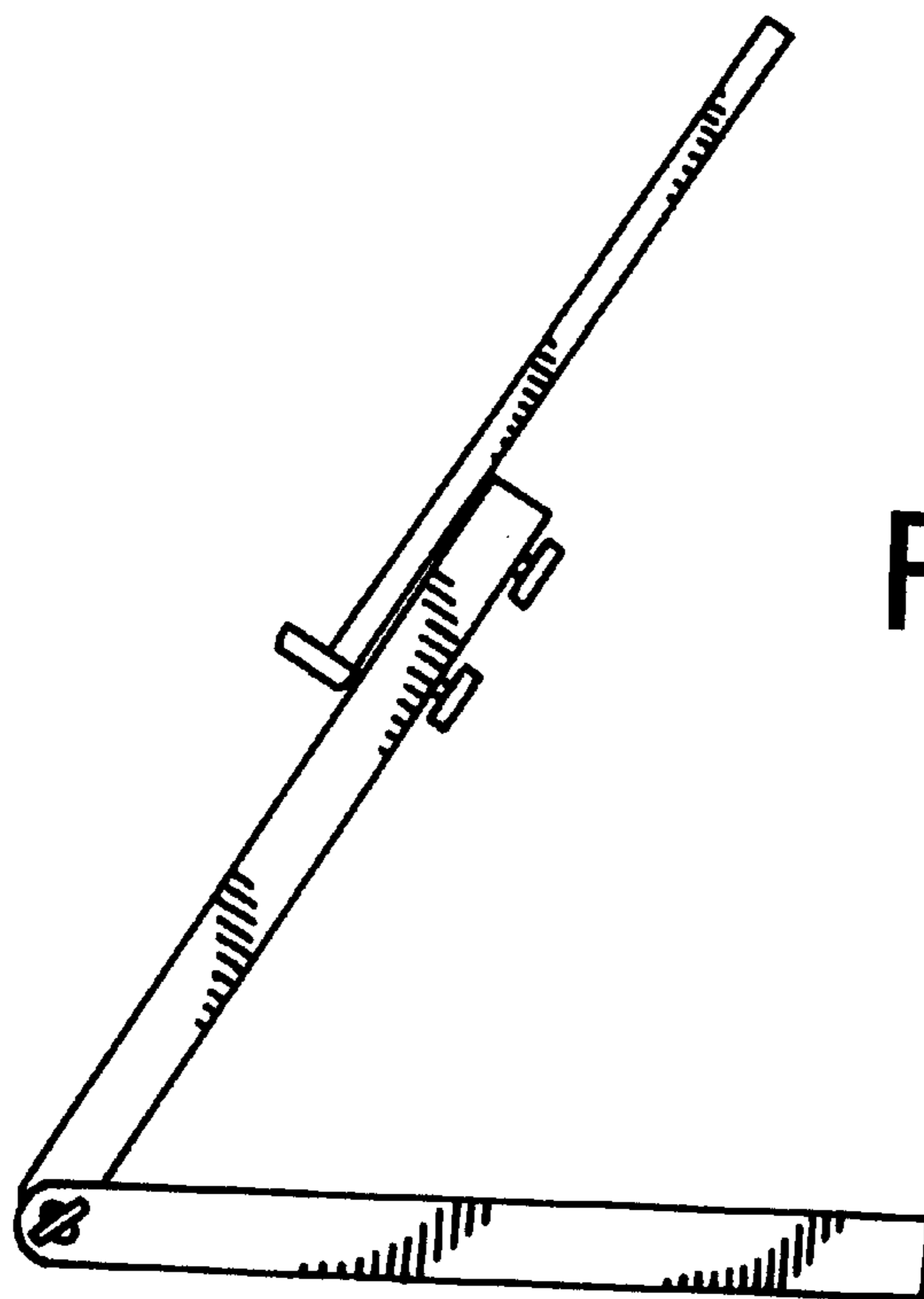


FIG. 4

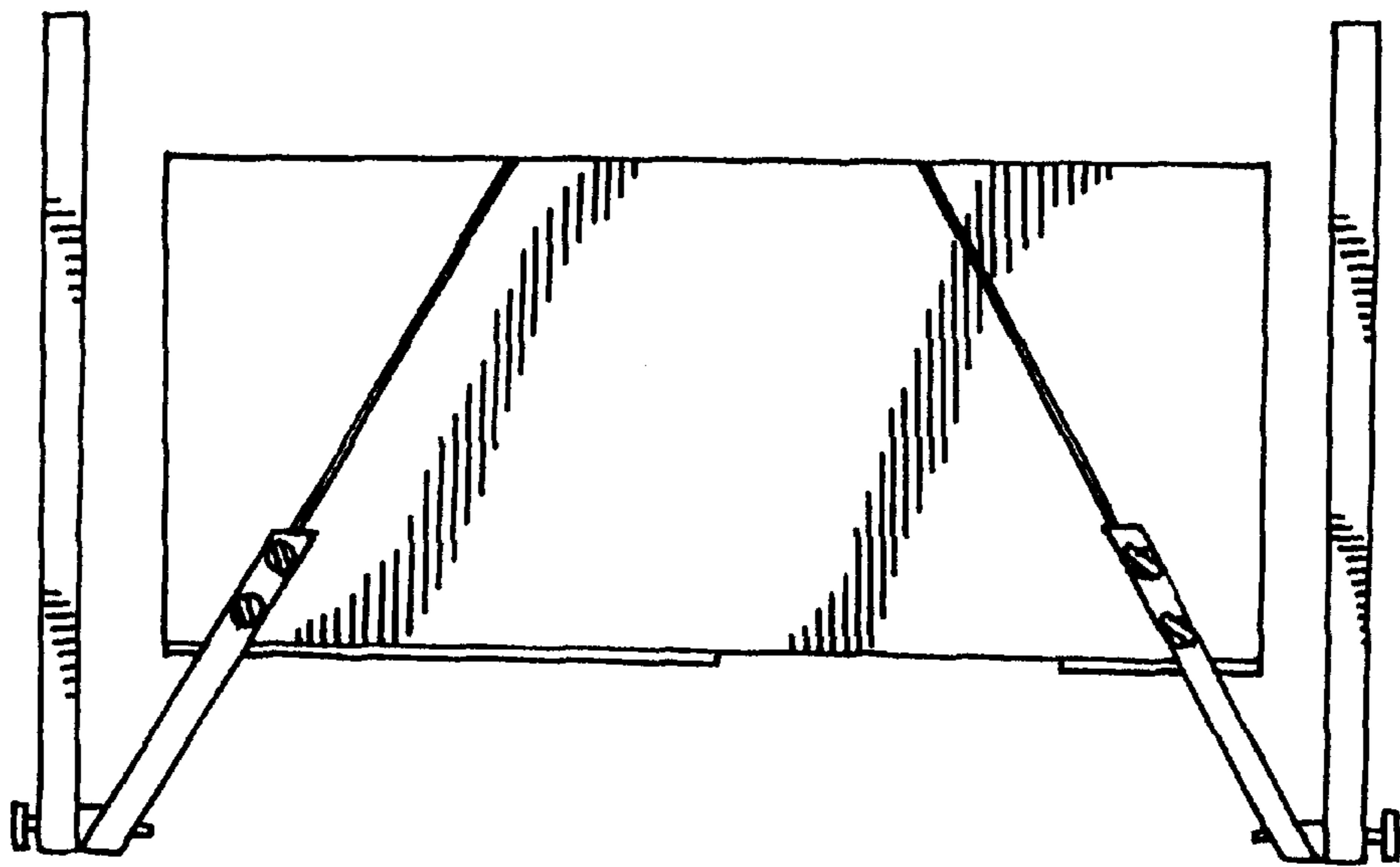


FIG. 5

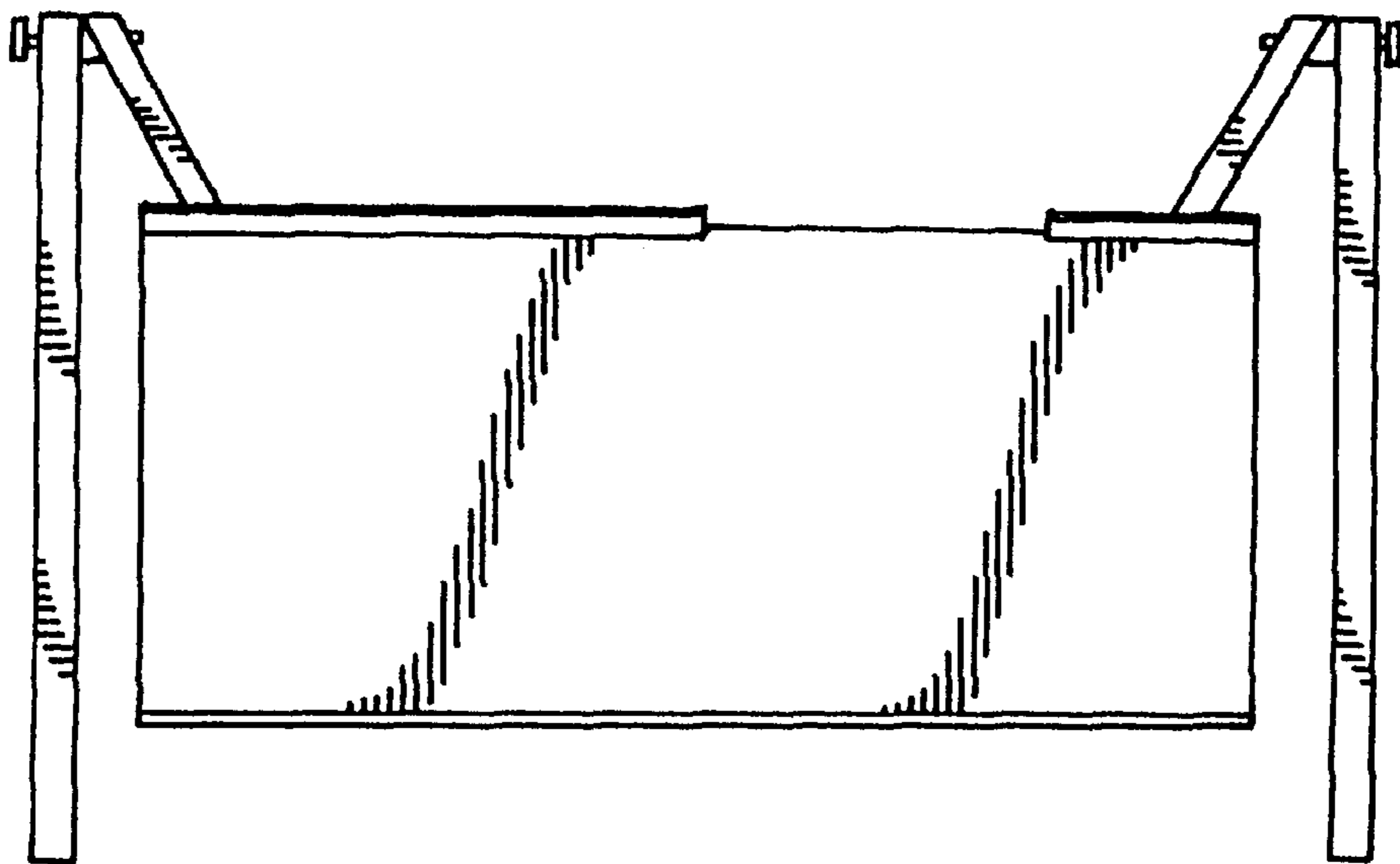


FIG. 6

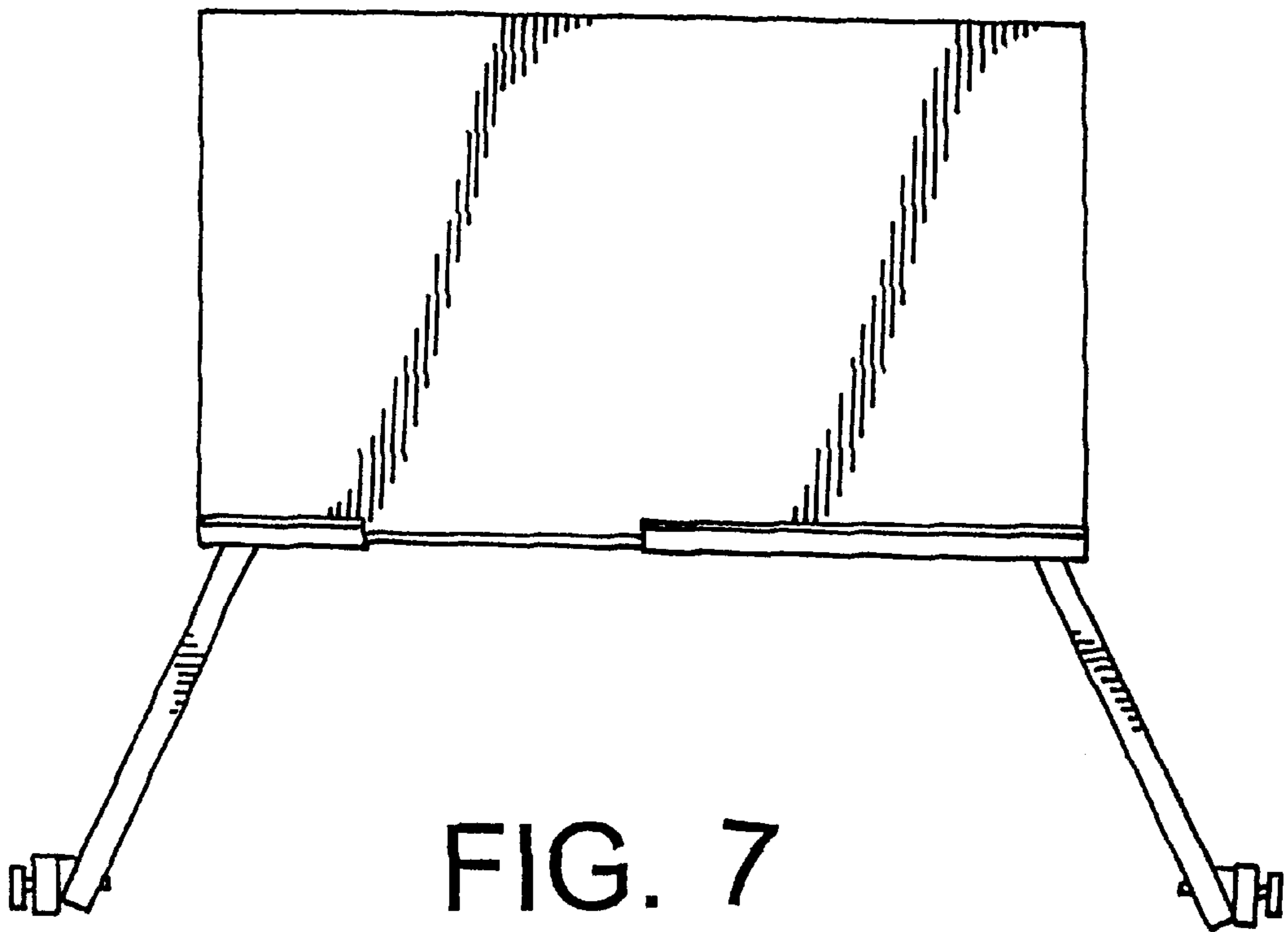


FIG. 7

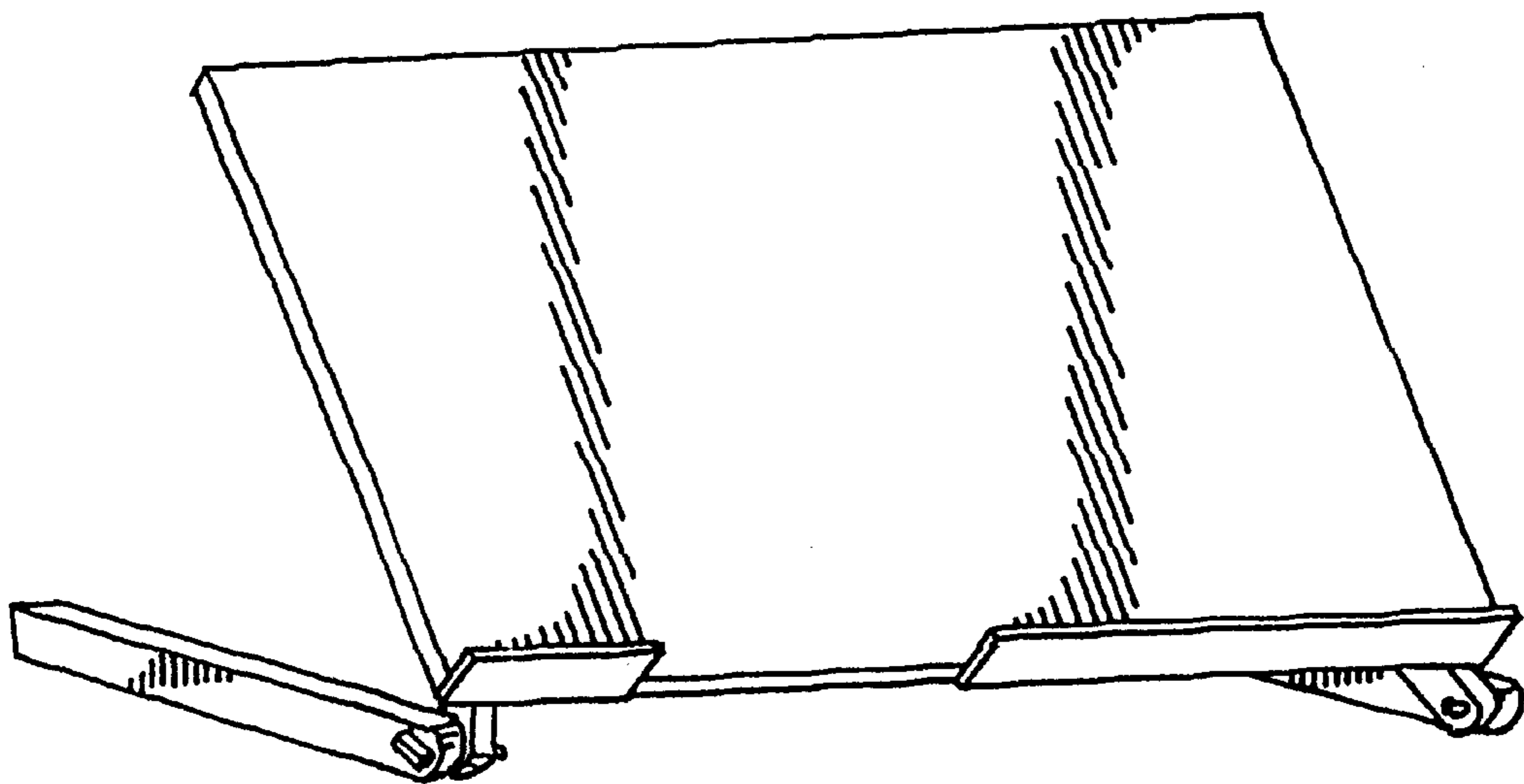


FIG. 8