



US00D410905S

# United States Patent [19]

Briggs et al.

[11] Patent Number: **Des. 410,905**

[45] Date of Patent: **\*\* Jun. 15, 1999**

[54] **CASING FOR A COMPUTER DISK DRIVE**

[75] Inventors: **John Briggs**, Layton; **Paul Johnson**, Kaysville; **Carl F. Nicklos**, Ogden; **David E. Jones**, Layton; **Thomas J. Angellotti**, Ogden, all of Utah

[73] Assignee: **Iomega Corporation**, Roy, Utah

[\*\*] Term: **14 Years**

[21] Appl. No.: **29/079,171**

[22] Filed: **Nov. 5, 1997**

[51] **LOC (6) Cl.** ..... **14-02**

[52] **U.S. Cl.** ..... **D14/109**

[58] **Field of Search** ..... D14/114, 100, D14/107, 109; D13/184, 162, 199; D6/432, 436, 445, 448; 312/208.1, 223.2; 360/99.01; 361/690-95

D. 377,008	12/1996	Nicklos et al.	.....	D14/100
D. 377,644	1/1997	Nicklos et al.	.....	D14/100
D. 383,451	9/1997	Tsuyuki et al.	.....	D14/109
D. 385,261	10/1997	Akiba	.....	D14/109
D. 389,128	1/1998	Ito et al.	.....	D14/109

**OTHER PUBLICATIONS**

Nomai 540 User's Guide, PC Kit, Ref.: 35401902, 1996, 6 pages.

MacWarehouse catalog item DynaTek removable SyQuest Drive, May 1994, 130.

MacConnection catalog items MDS Chinon CD-ROM drives, Mar. 1994, 7.

*Primary Examiner*—M. H. Tung

*Attorney, Agent, or Firm*—Woodcock Washburn Kurtz Mackiewicz & Norris LLP

[57] **CLAIM**

The ornamental design for a casing for a computer disk drive, as shown and described.

**DESCRIPTION**

FIG. 1 is a top isometric view of the computer disk drive casing of this invention;

FIG. 2 is a top plan view of FIG. 1;

FIG. 3 is a bottom plan view of FIG. 1;

FIG. 4 is a side view of FIG. 1;

FIG. 5 is a side view of FIG. 1;

FIG. 6 is a back end view of FIG. 1; and,

FIG. 7 is a front end view of FIG. 1.

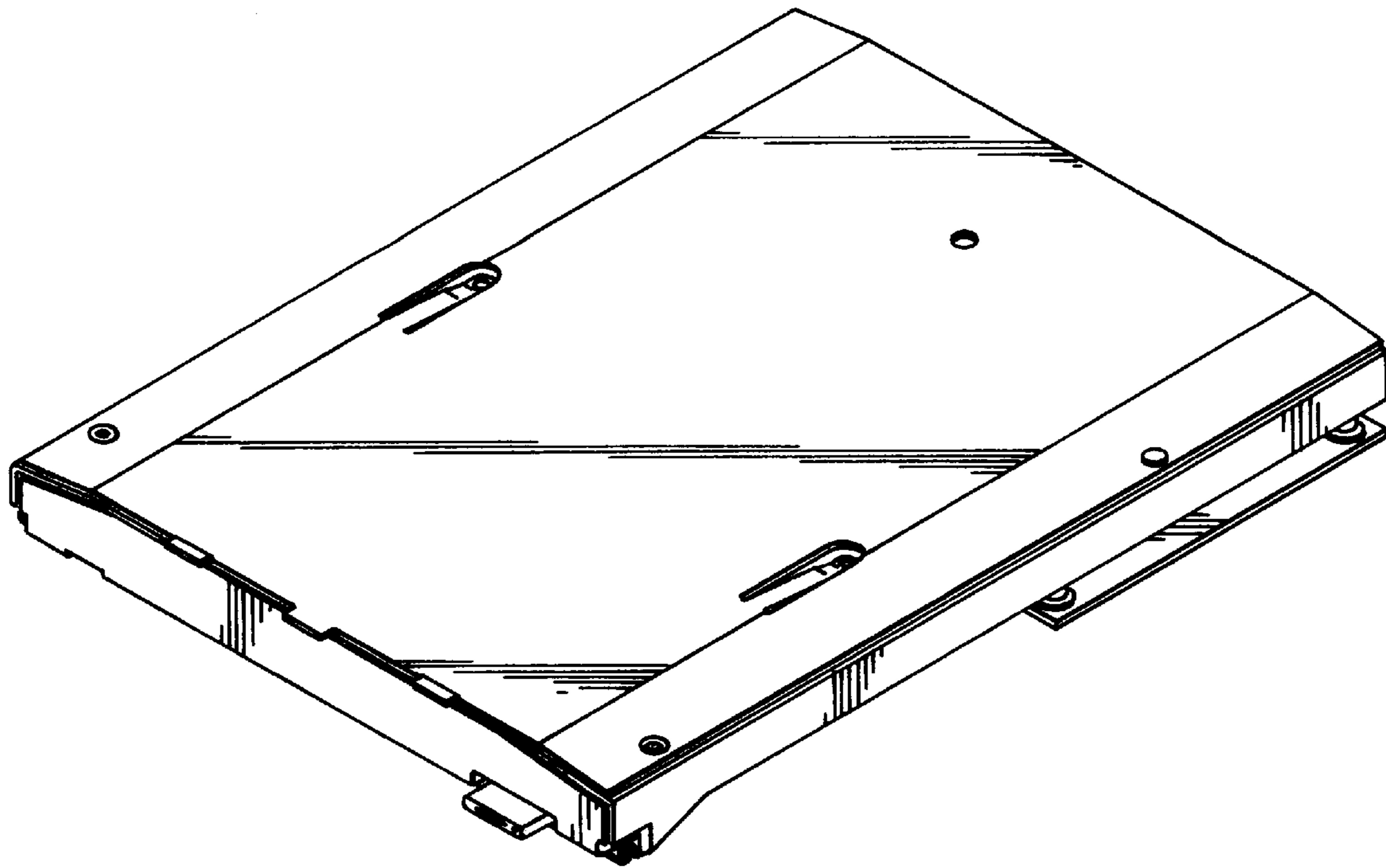
The broken line drawing in FIG. 6 is for illustrative purposes only and forms no part of the claimed design.

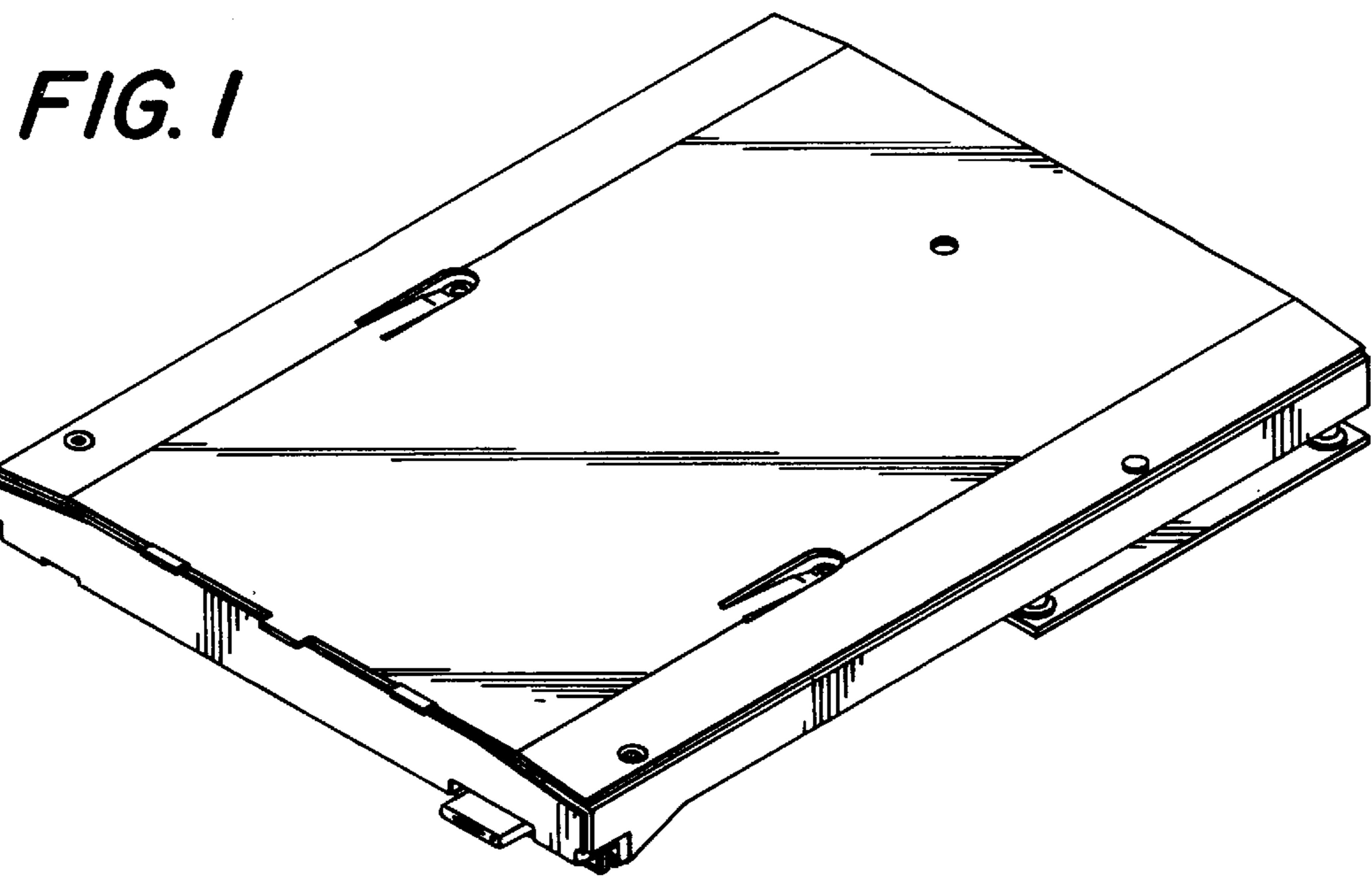
**1 Claim, 3 Drawing Sheets**

[56] **References Cited**

**U.S. PATENT DOCUMENTS**

D. 311,740	10/1990	Wagner	.....	D14/107
D. 334,917	4/1993	Miyamoto	.....	D14/108
D. 336,077	6/1993	Barry et al.	.....	D14/106
D. 338,661	8/1993	Miyamoto	.....	D14/108
D. 349,519	8/1994	Tanaka	.....	D14/109 X
D. 350,340	9/1994	Inayama et al.	.....	D14/109
D. 358,140	5/1995	Takasu et al.	.....	D14/109
D. 360,197	7/1995	Ikenaga	.....	D14/109 X
D. 362,237	9/1995	Nakada	.....	D14/109 X
D. 368,468	4/1996	Kobayashi	.....	D14/100
D. 370,668	6/1996	Hirose	.....	D14/109
D. 375,728	11/1996	Nicklos et al.	.....	D14/114

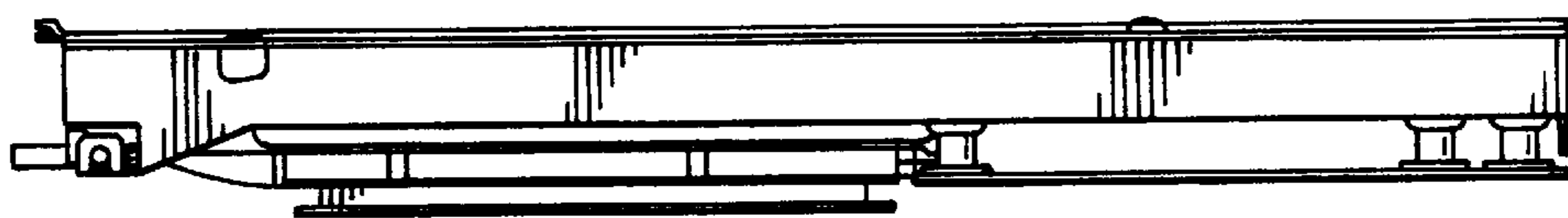




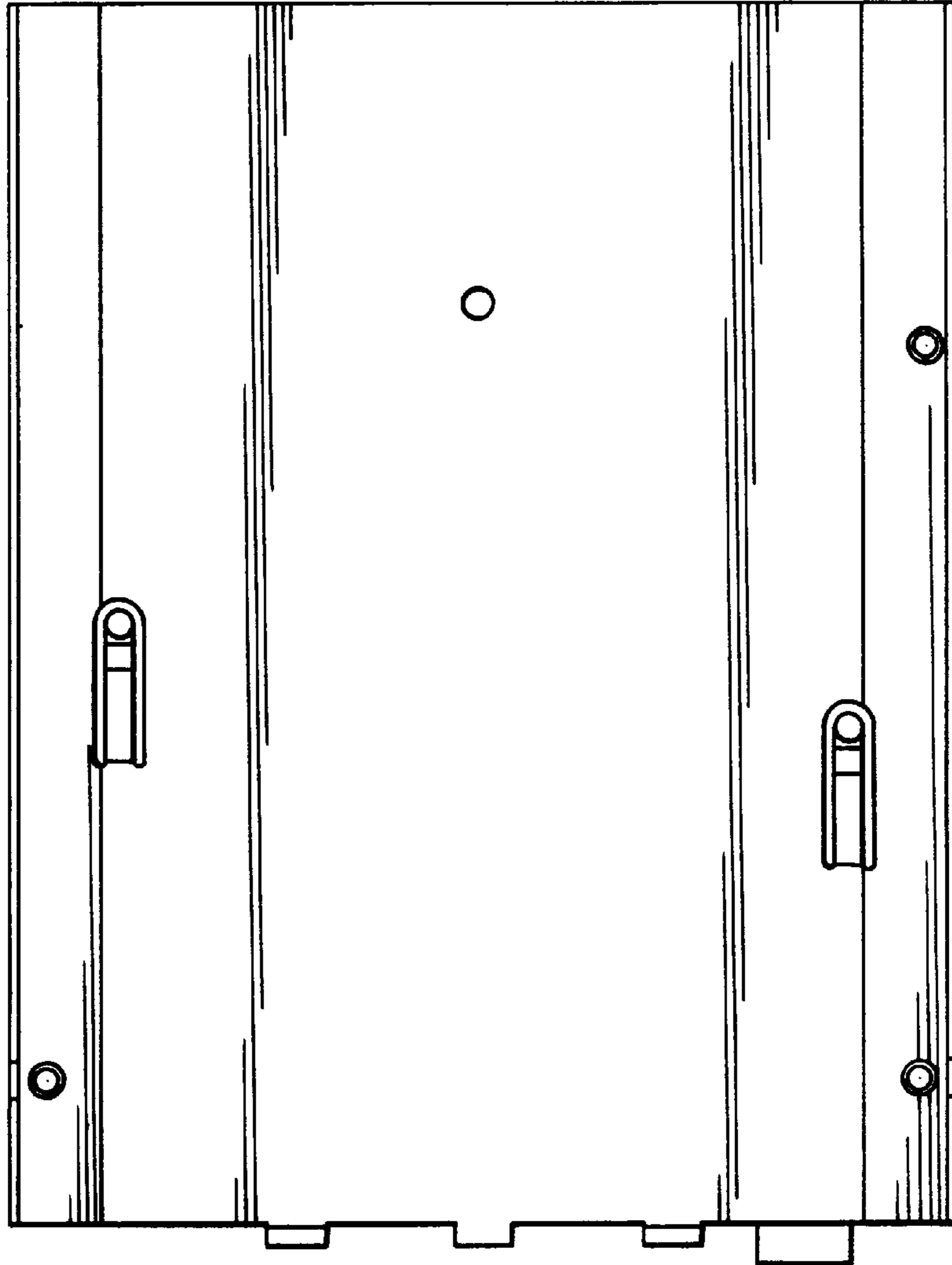
**FIG. 4**



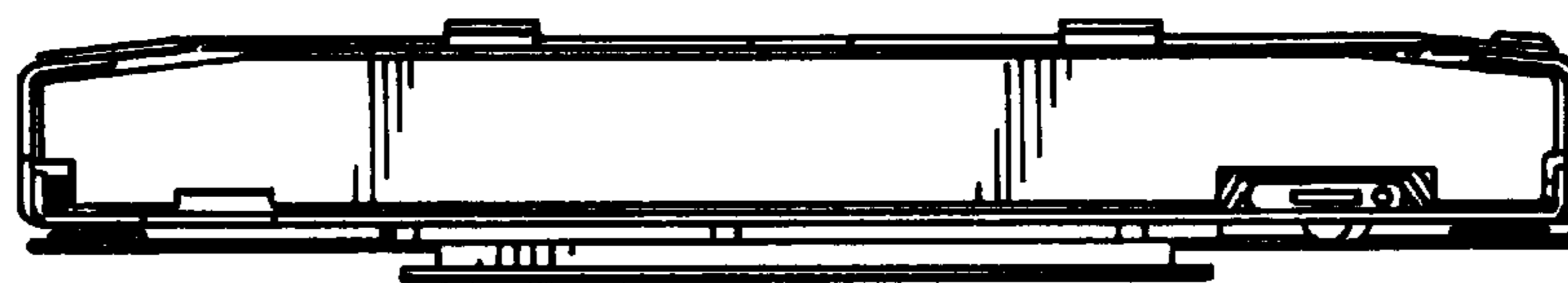
**FIG. 5**



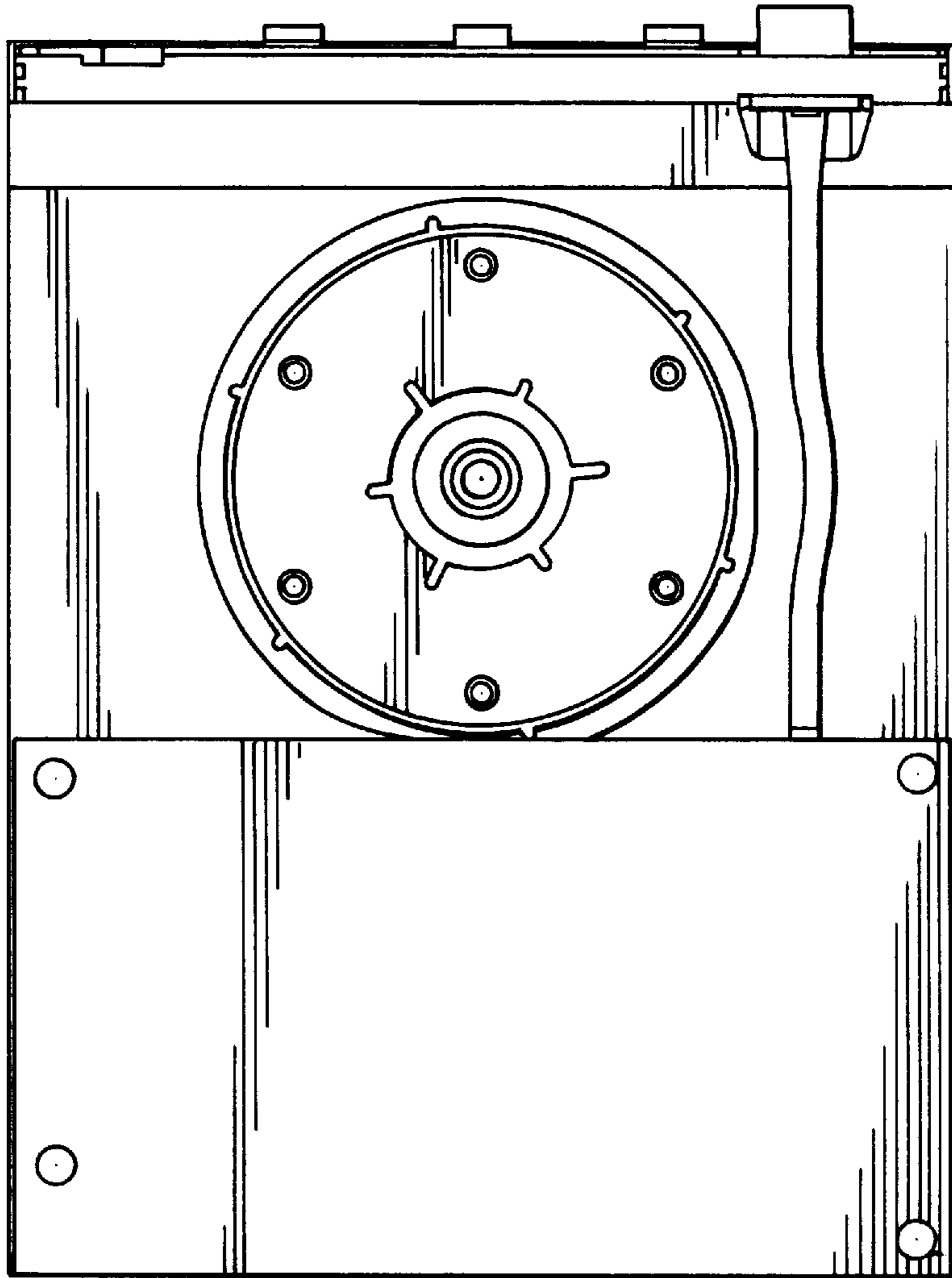
**FIG. 2**



**FIG. 7**



**FIG. 3**



**FIG. 6**

