



US00D410904S

# United States Patent [19]

Fenner et al.

[11] Patent Number: **Des. 410,904**

[45] Date of Patent: **\*\* Jun. 15, 1999**

[54] **MODULAR MEDIA STORAGE UNIT**

[75] Inventors: **Knut Thomas Fenner**, Westfield; **Rich Gioscia**, Mahwah, both of N.J.

[73] Assignees: **Sony Corporation**, Tokyo, Japan; **Sony Corporation of America**, Park Ridge, N.J.

[\*\*] Term: **14 Years**

[21] Appl. No.: **29/090,911**

[22] Filed: **Jul. 20, 1998**

### Related U.S. Application Data

[62] Division of application No. 09/055,139, Apr. 3, 1998.

[51] **LOC (6) Cl.** ..... **14-02**

[52] **U.S. Cl.** ..... **D14/107; D6/632**

[58] **Field of Search** ..... D6/407, 432, 627-635, D6/445, 446, 440; D14/107, 109, 124, 129, 131, 135, 136, 156, 102; 360/99.12; 361/680-686; 211/40, 41.12; 312/223.1-223.3; 206/307, 308.1-308.3

### [56] References Cited

#### U.S. PATENT DOCUMENTS

D. 254,736 4/1980 Kneale ..... D14/107  
D. 262,968 2/1982 Hutcheson ..... D14/107

D. 333,817 3/1993 Marotti ..... D14/109  
D. 349,488 8/1994 Aderman et al. .... D14/109  
D. 354,480 1/1995 Agata et al. .... D14/107  
D. 360,198 7/1995 Gioscia et al. .... D14/109  
D. 371,768 7/1996 Kammersgard et al. .... D14/107  
D. 372,464 8/1996 Wetzel ..... D14/102  
D. 379,897 6/1997 Huang ..... D6/632  
5,604,662 2/1997 Anderson et al. .... 361/685

*Primary Examiner*—Doris V. Coles

*Assistant Examiner*—Linda Brooks

*Attorney, Agent, or Firm*—Frommer Lawrence & Haug, LLP; William S. Frommer

### [57] CLAIM

The ornamental design for a modular media storage unit, as shown and described.

### DESCRIPTION

FIG. 1 is a front perspective view of a modular media storage unit constructed in accordance with the invention; FIG. 2 is a front elevational view thereof, shown on top of an additional modular media storage unit, which is shown in broken lines for purposes of illustration only and forming no part of the claimed design.

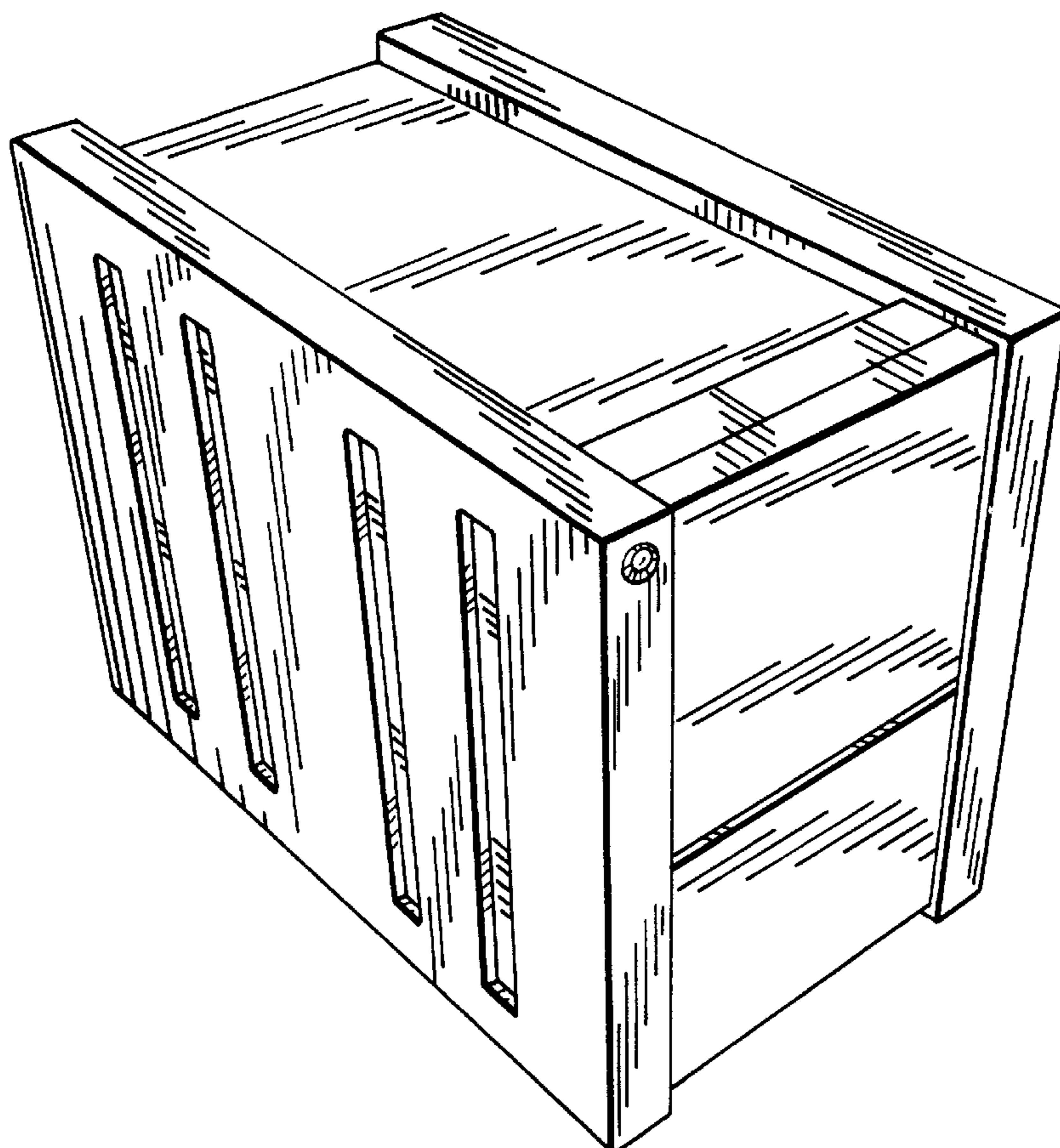
FIG. 3 is a top plan view thereof;

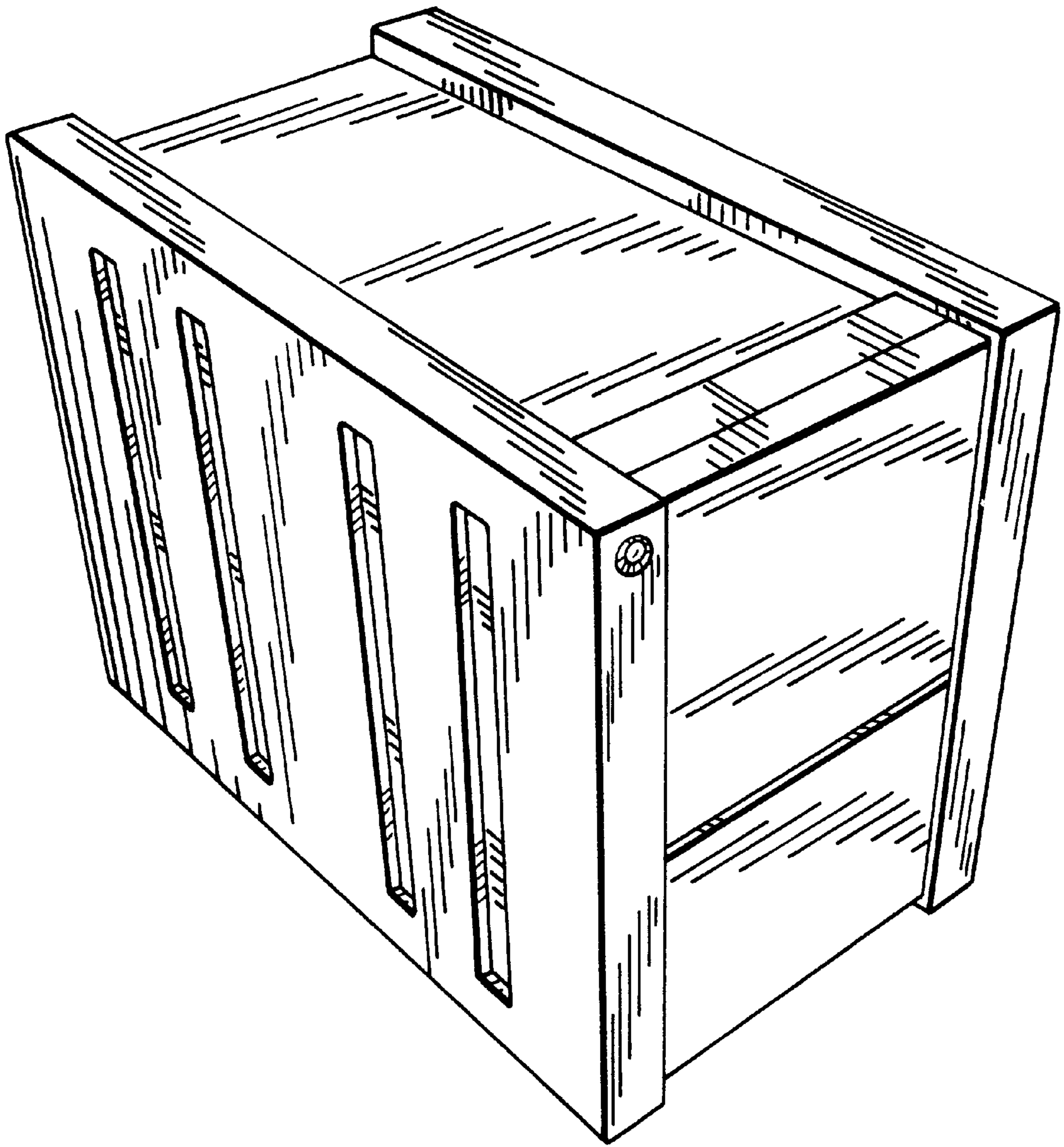
FIG. 4 is a left side elevational view thereof, the right side elevational view thereof being a mirror image thereof;

FIG. 5 is a bottom plan view thereof; and,

FIG. 6 is a rear elevational view thereof.

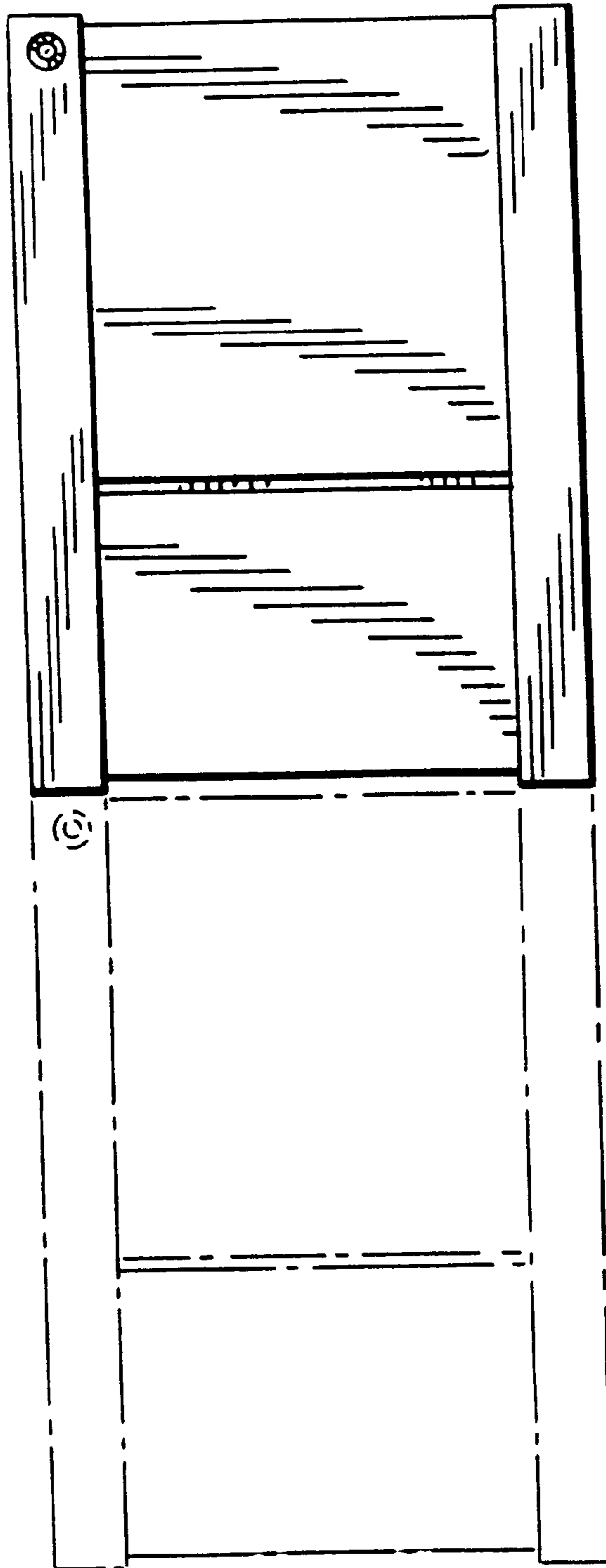
**1 Claim, 4 Drawing Sheets**



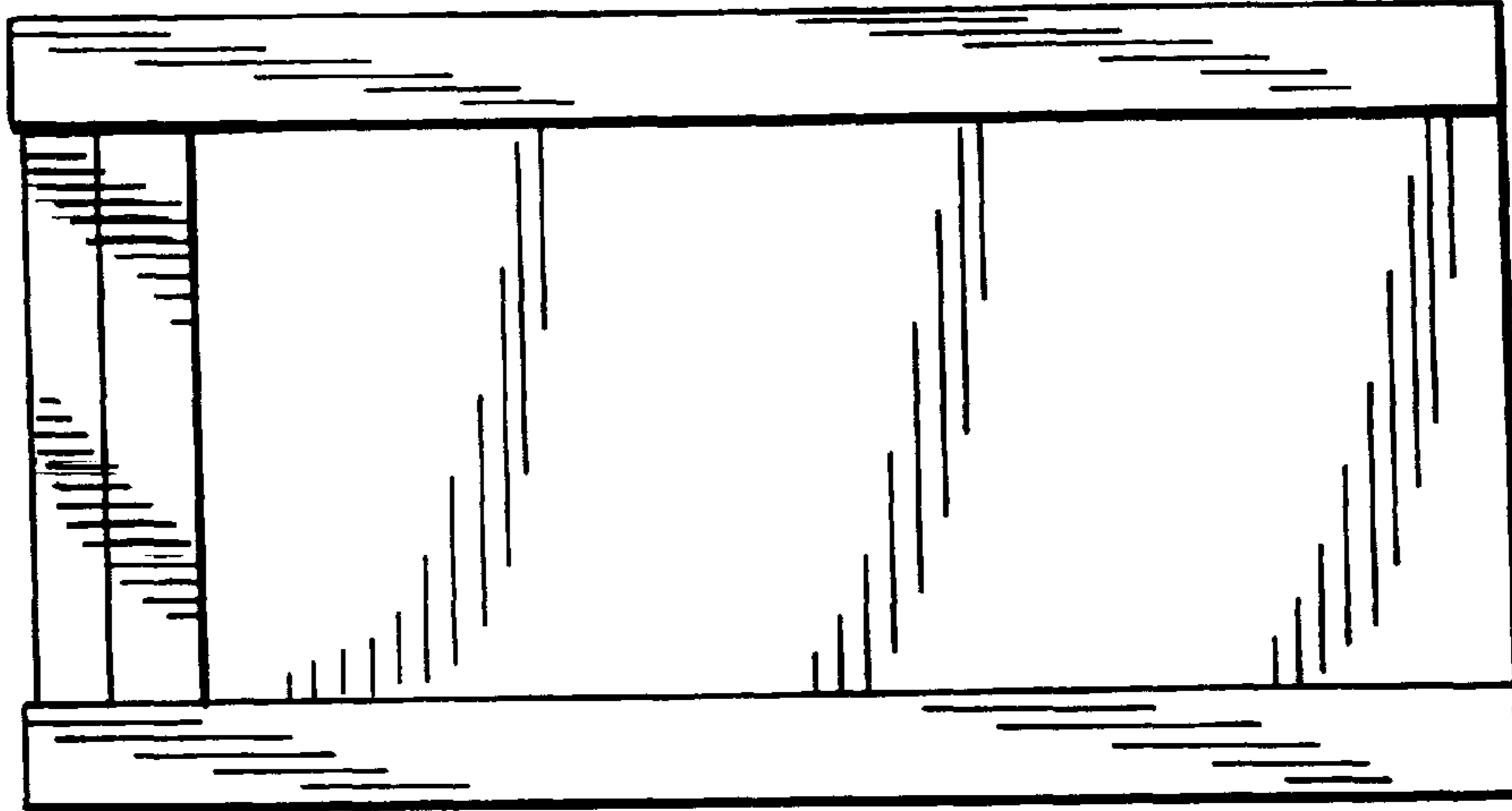


*FIG. 1*

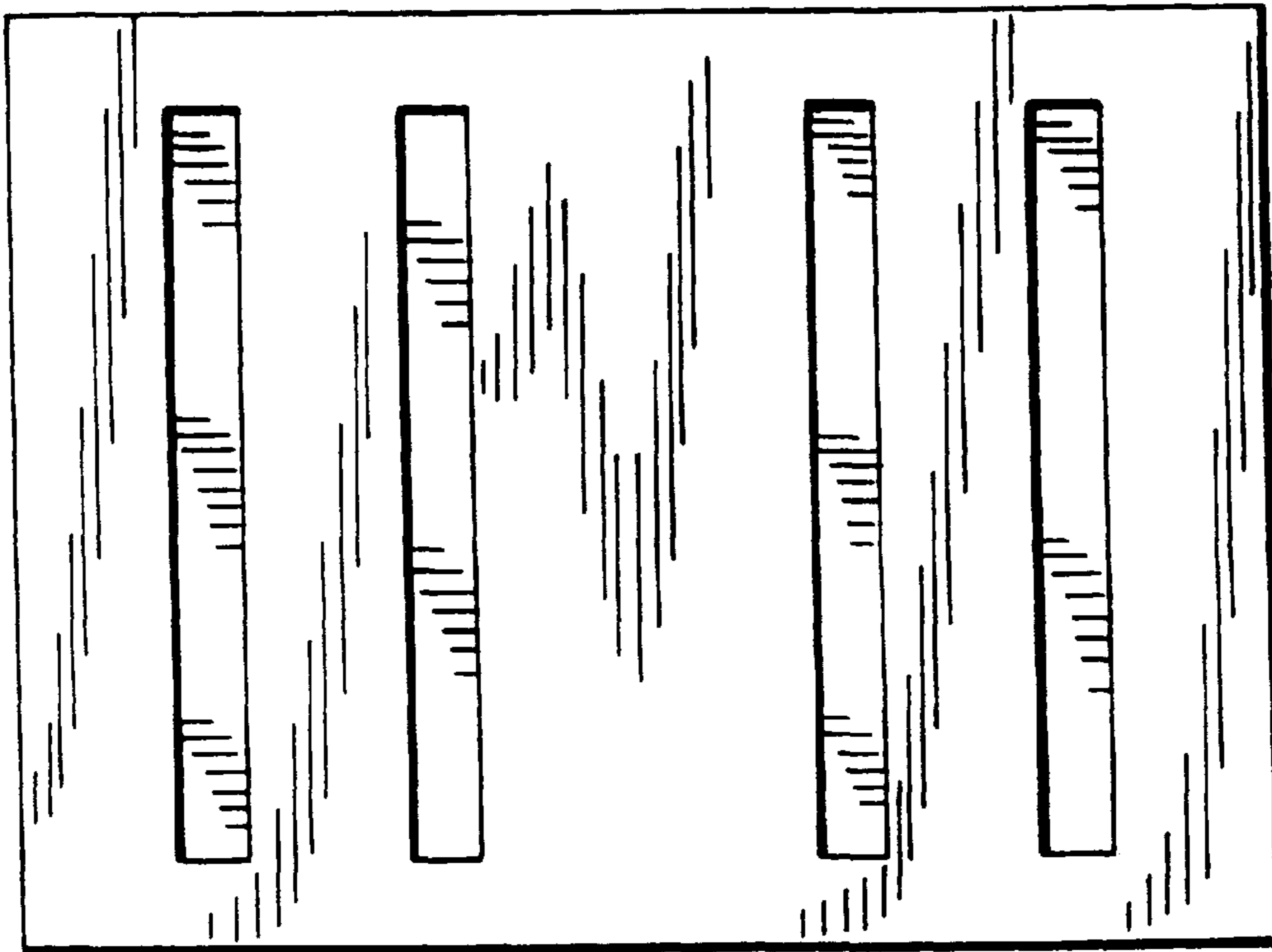
*FIG. 2*



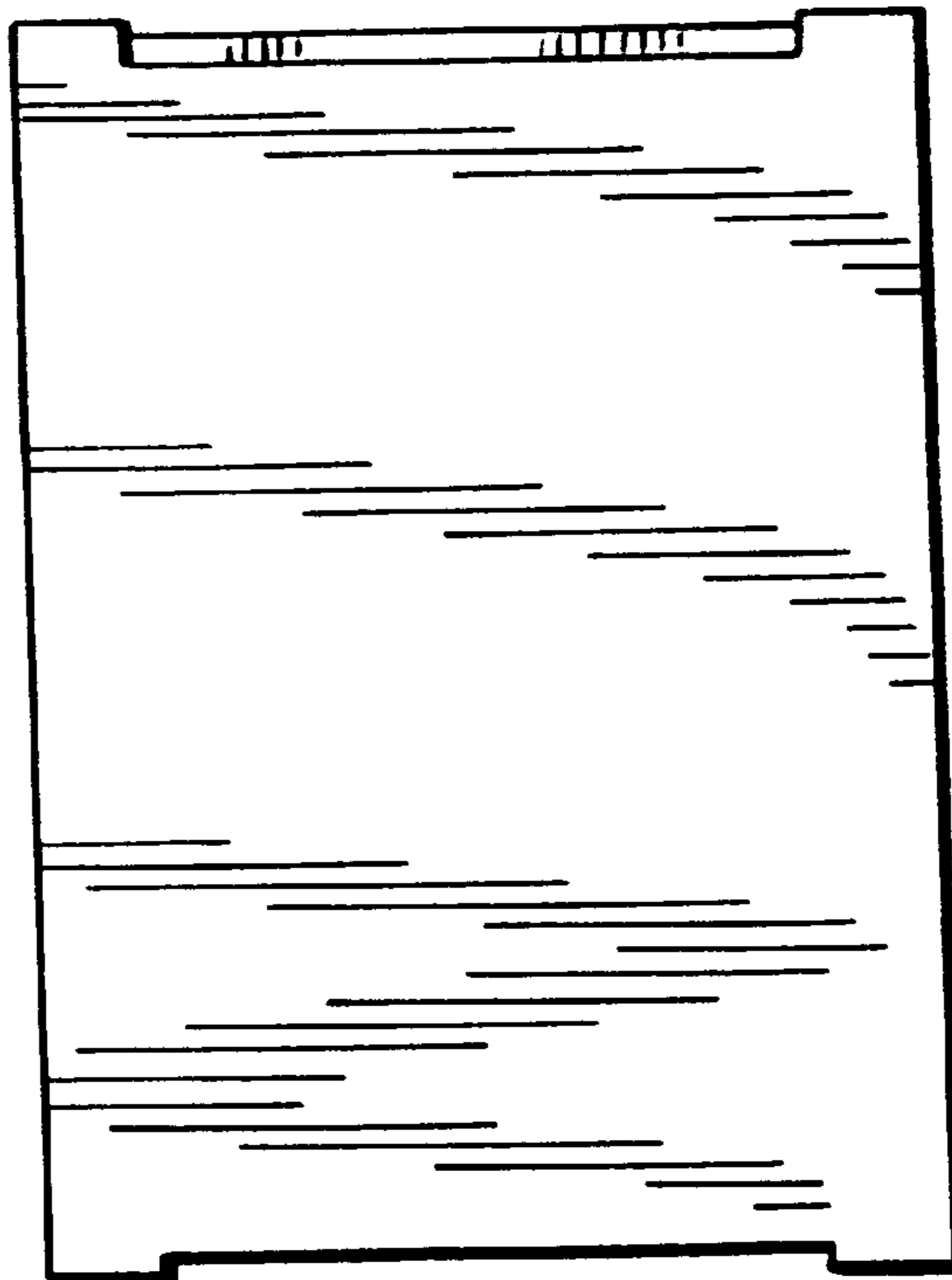
*FIG. 3*



*FIG. 4*



*FIG. 5*



*FIG. 6*

