



US00D410900S

# United States Patent [19]

[11] **Patent Number: Des. 410,900**

Iwamoto et al.

[45] **Date of Patent: \*\* Jun. 15, 1999**

[54] **COMPUTER ACCESSORY**

[75] Inventors: **Hideto Iwamoto; Hidebumi Arai**, both of Tokyo, Japan

[73] Assignee: **Mitsubishi Denki Kabushiki Kaisha**, Tokyo, Japan

[\*\*] Term: **14 Years**

[21] Appl. No.: **29/082,203**

[22] Filed: **Jan. 16, 1998**

[30] **Foreign Application Priority Data**

Jul. 18, 1997 [JP] Japan ..... 9-62103

[51] **LOC (6) Cl.** ..... **14-02**

[52] **U.S. Cl.** ..... **D14/106**

[58] **Field of Search** ..... D14/100, 101, D14/106, 113, 115, 124-127; D18/1, 7, 2; 235/145 A, 145 R; 345/104, 156, 168, 173, 901-905, 87; 341/22, 23; 361/680-686; 364/708.1; 400/486, 489; 248/279.1

[56] **References Cited**

**U.S. PATENT DOCUMENTS**

D. 371,118 6/1996 Kondo ..... D14/377  
D. 377,009 12/1996 Crane, Jr. et al. .... D14/106  
5,190,258 3/1993 Yu ..... 248/279.1

*Primary Examiner*—Freda Nunn  
*Attorney, Agent, or Firm*—Oblon, Spivak, McClelland, Maier & Neustadt, P.C.

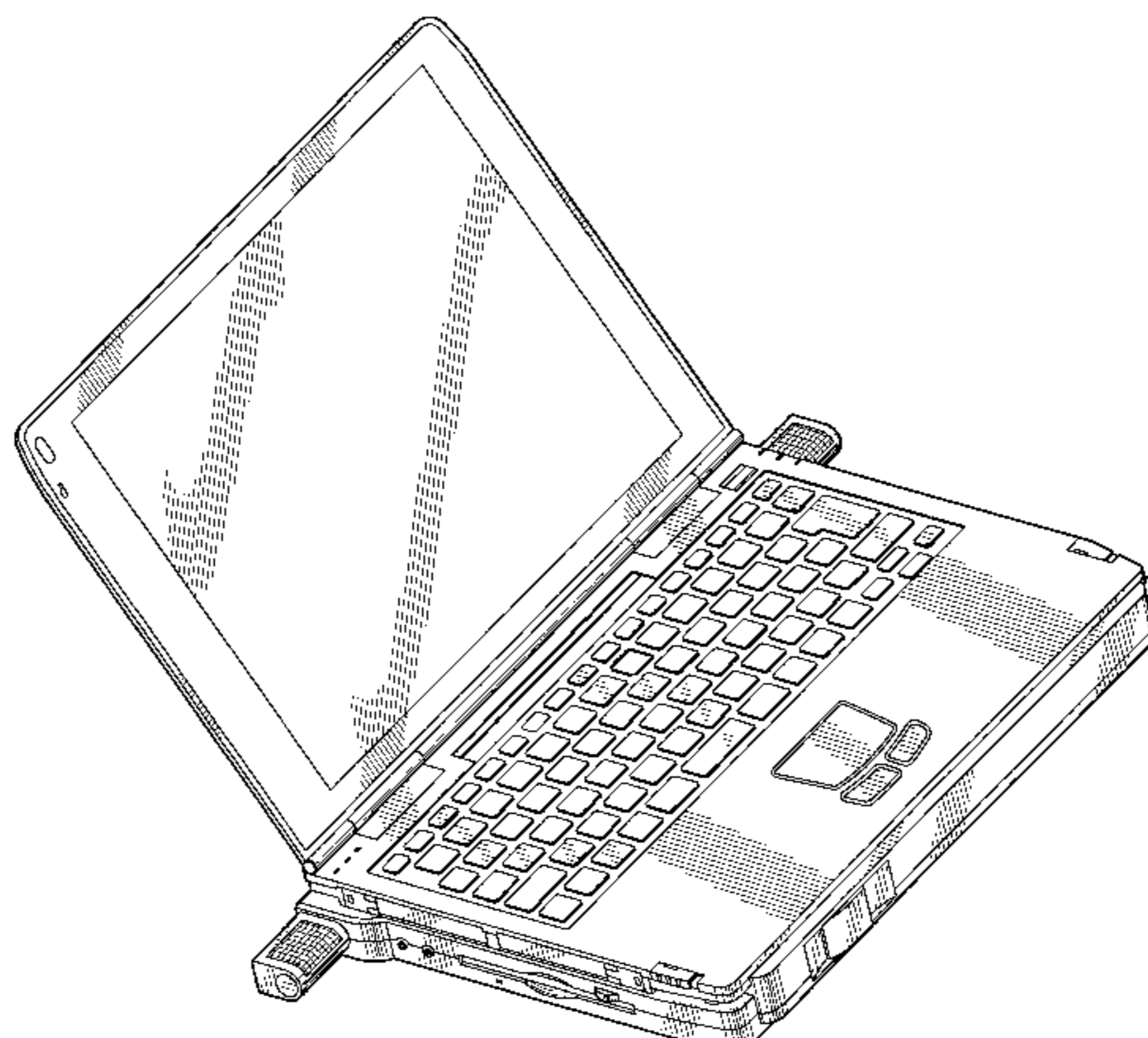
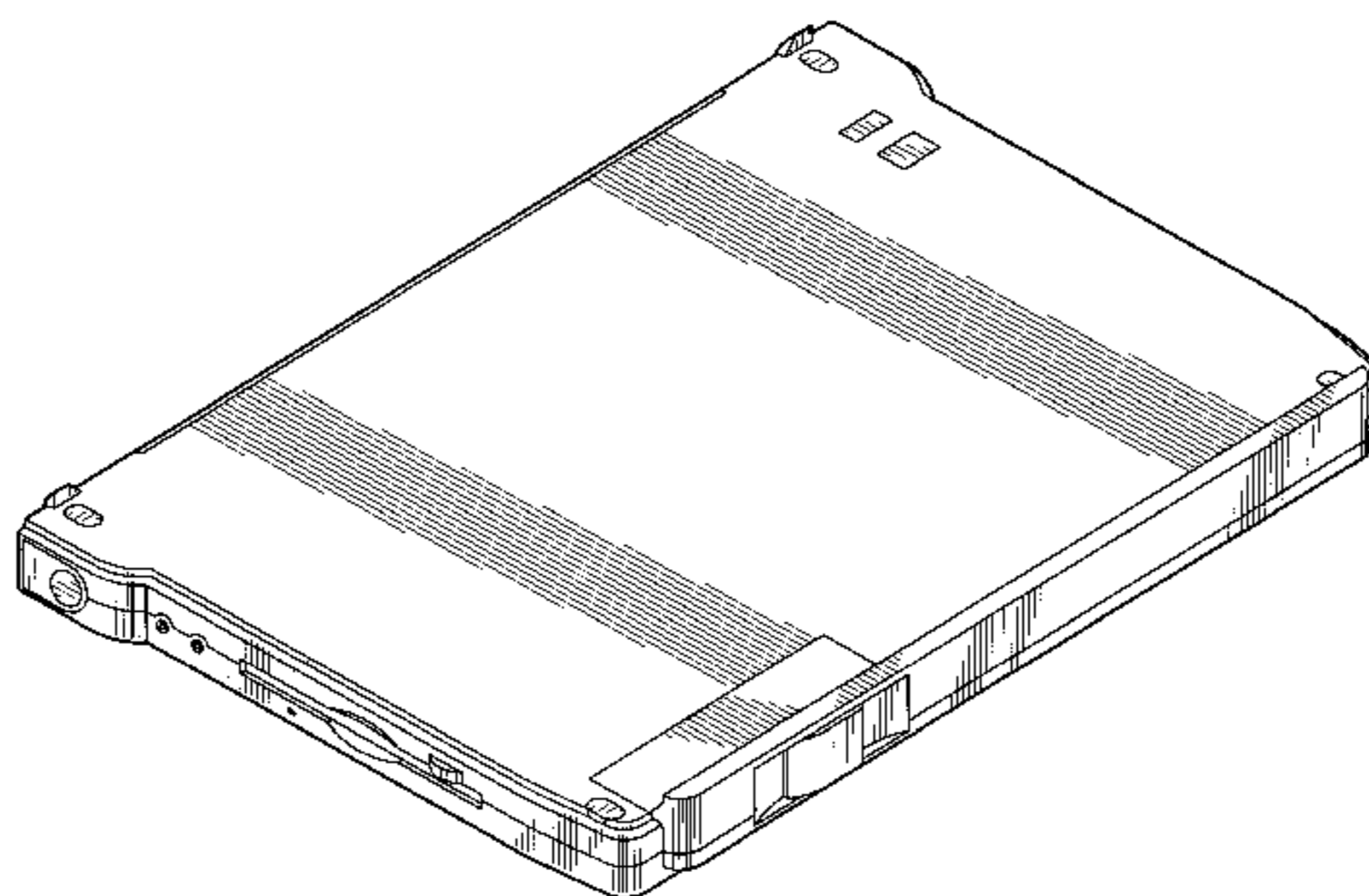
[57] **CLAIM**

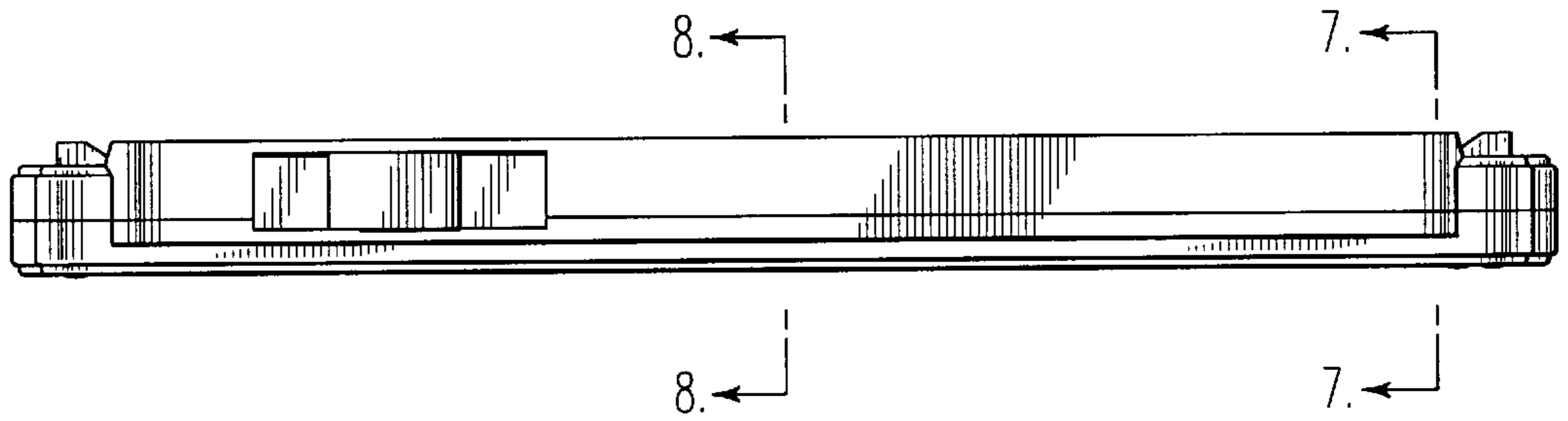
The ornamental design for a computer accessory, as shown and described.

**DESCRIPTION**

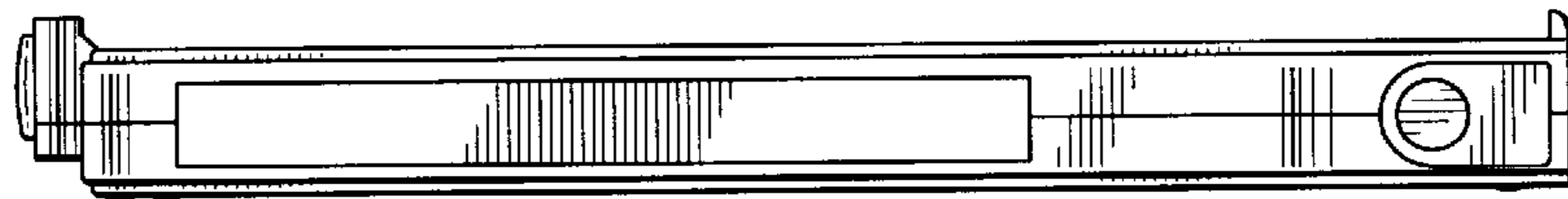
FIG. 1 is a front elevational view of a computer accessory embodying our new design;  
FIG. 2 is a right side view thereof;  
FIG. 3 is a rear elevational view thereof;  
FIG. 4 is a left side elevational view thereof;  
FIG. 5 is a top plan view thereof;  
FIG. 6 is a bottom plan view thereof;  
FIG. 7 is an enlarged cross-sectional view thereof taken along line 7-7 in FIG. 1;  
FIG. 8 is an enlarged cross-sectional view thereof taken along line 8-8 in FIG. 1;  
FIG. 9 is a top, front and left side perspective view thereof;  
FIG. 10 is a front elevational view thereof showing speakers attached thereto and the CD-ROM tray thereof in an open state;  
FIG. 11 is a top plan view thereof showing the speakers attached thereto and the CD-ROM tray in an open state; and,  
FIG. 12 is top, front and left perspective view thereof with the speakers attached thereto screen of the computer in an open state when in use and the CD-Rom tray closed.

**1 Claim, 6 Drawing Sheets**

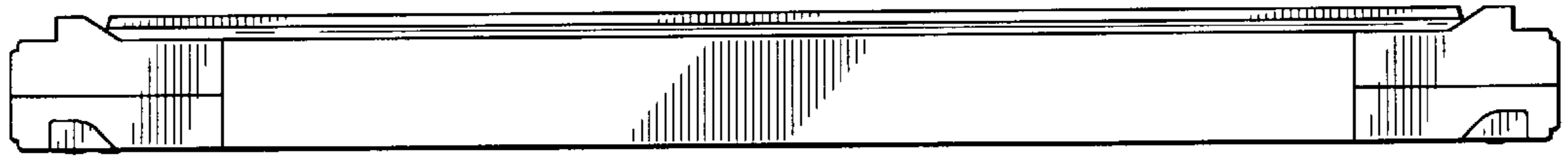




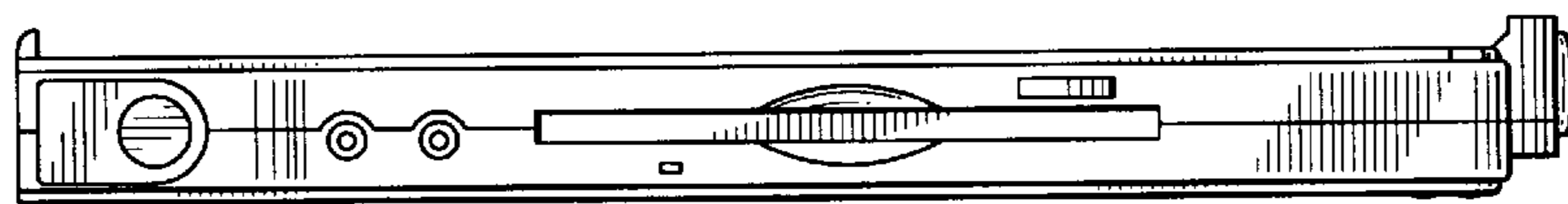
*FIG. 1*



*FIG. 2*



*FIG. 3*



*FIG. 4*

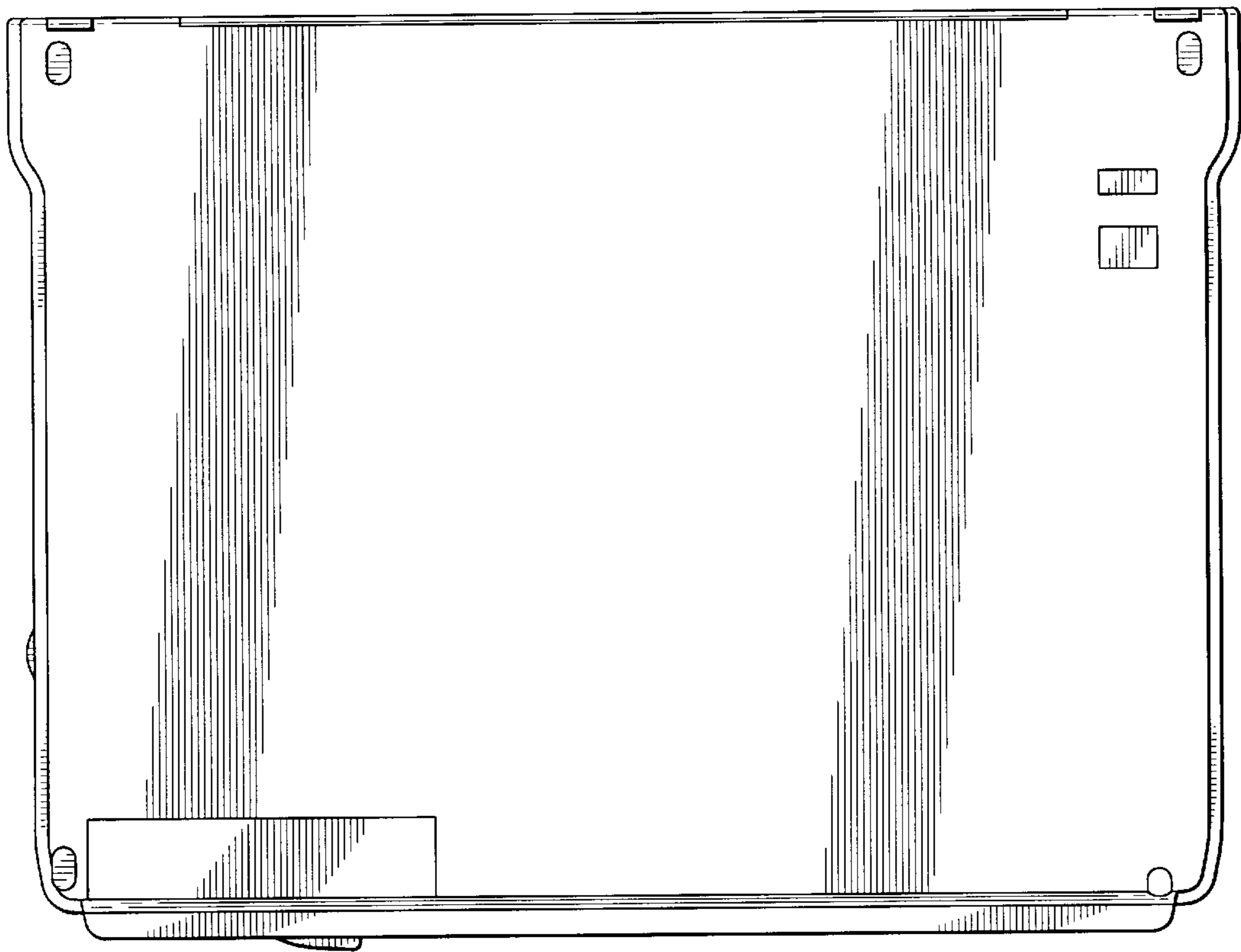


FIG. 5

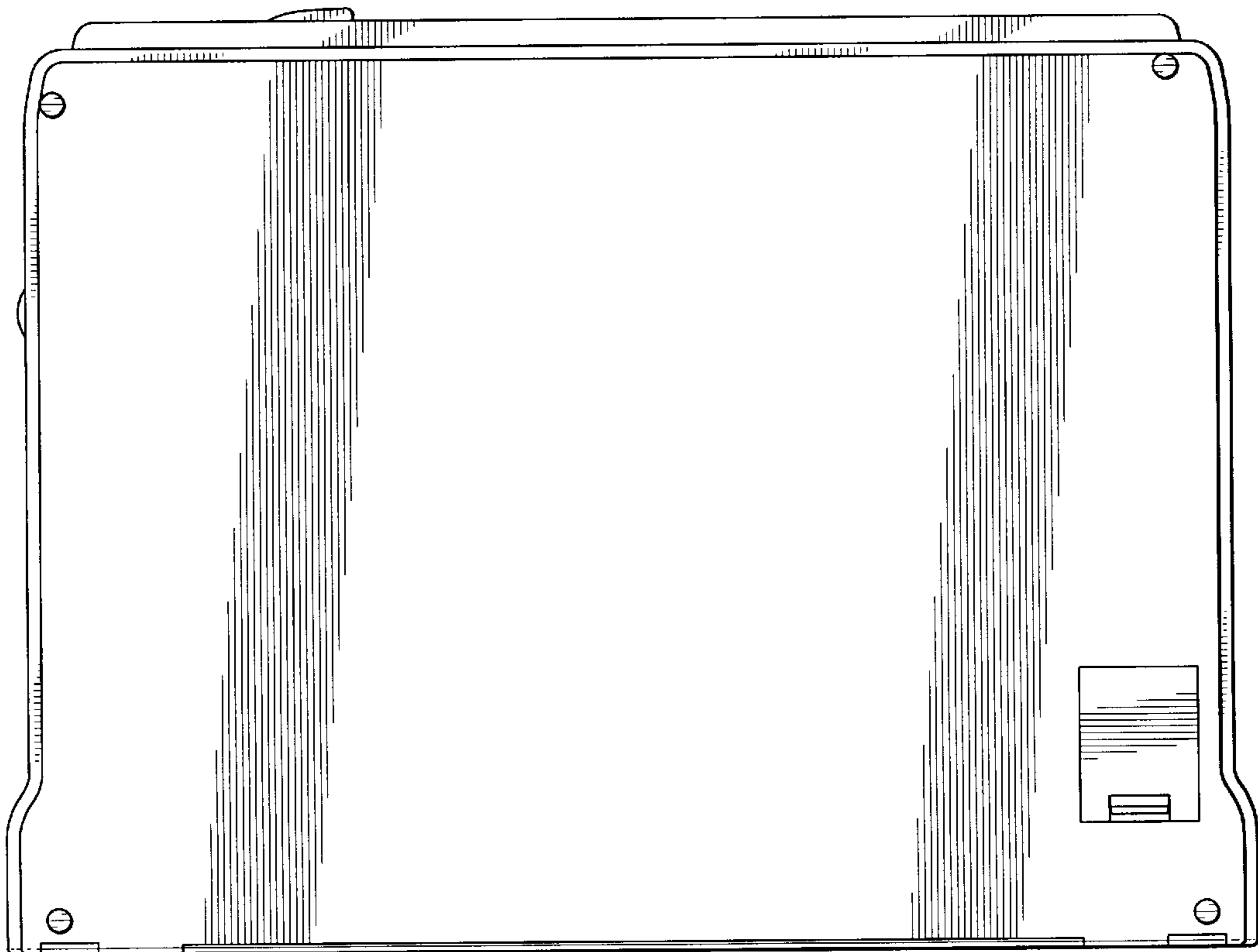
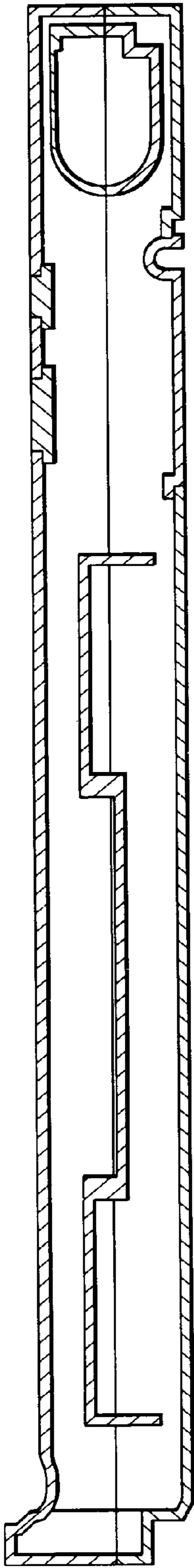
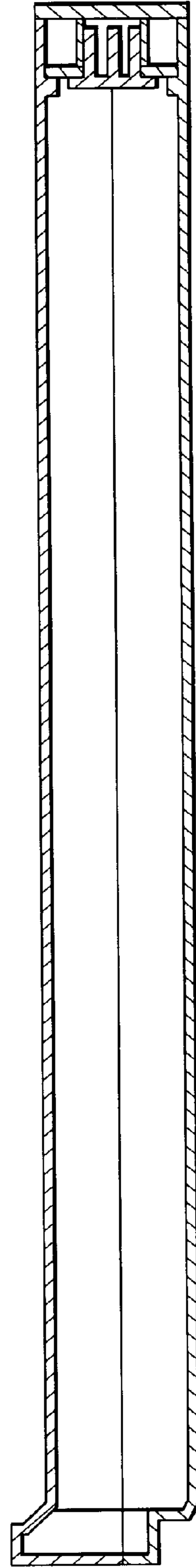


FIG. 6

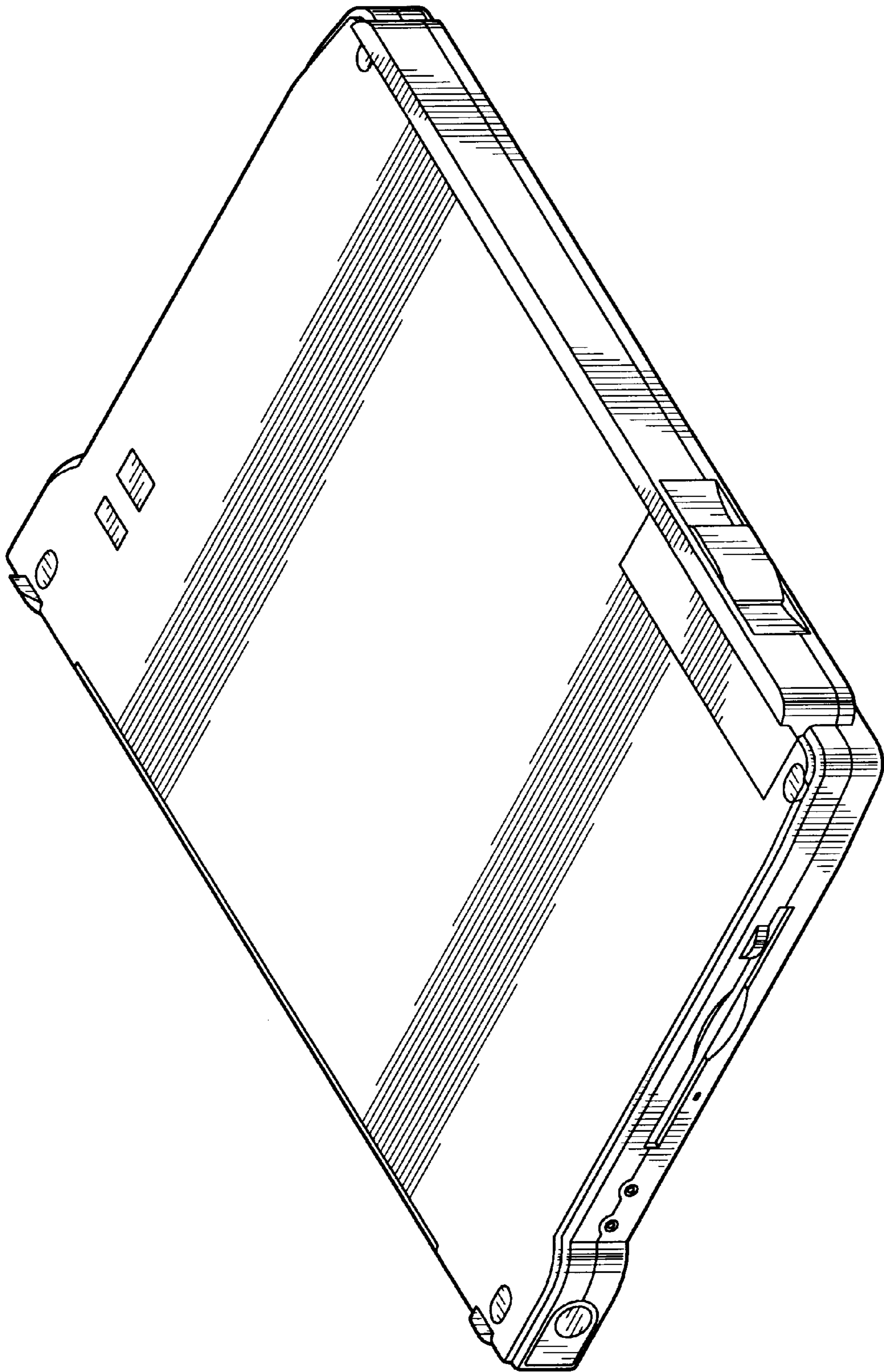


*FIG. 7*

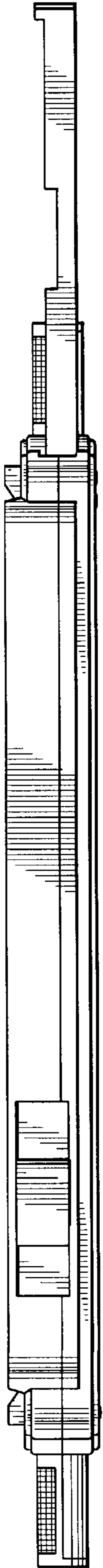


*FIG. 8*

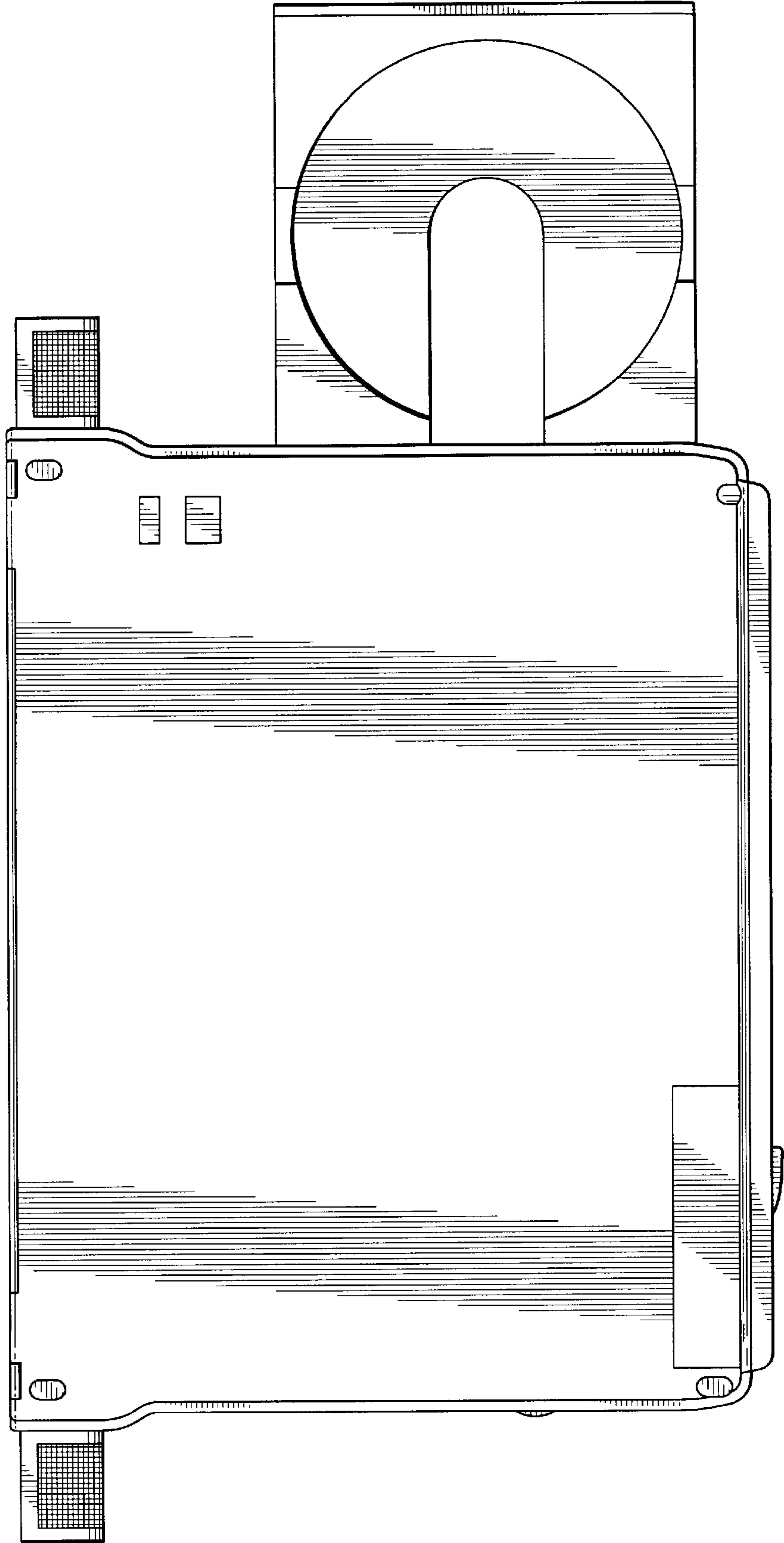




*FIG. 9*



*FIG. 10*



*FIG. 11*

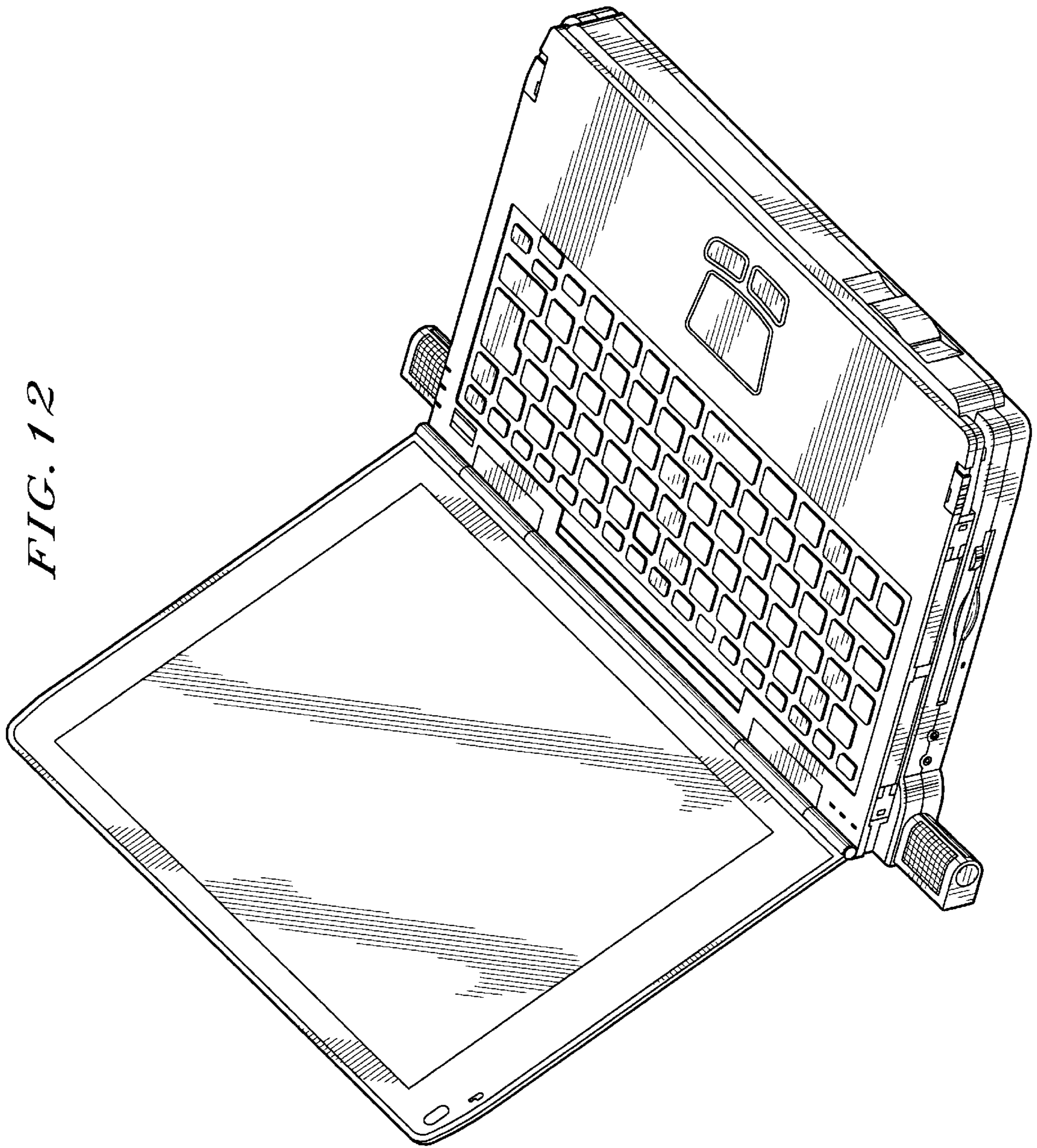


FIG. 12