



US00D410899S

# United States Patent [19]

Alo et al.

[11] Patent Number: **Des. 410,899**

[45] Date of Patent: **\*\* Jun. 15, 1999**

[54] **MODULAR COMPUTER TOWER UNIT**

[75] Inventors: **Roland K. Alo; David W. Hill**, both of Cary, N.C.; **Steven E. Howell**, Franklin, Tenn.

[73] Assignee: **International Business Machines Corporation**, Armonk, N.Y.

[\*\*] Term: **14 Years**

[21] Appl. No.: **29/093,341**

[22] Filed: **Sep. 9, 1998**

[51] **LOC (6) Cl.** ..... **14-02**

[52] **U.S. Cl.** ..... **D14/102; D14/100**

[58] **Field of Search** ..... D14/100, 102, D14/107, 108, 109, 114, 115; D13/162, 184, 199; D6/432, 436, 445, 448; 312/208.1, 223.2, 223.3, 254, 292; 360/99.12; 361/690-696, 683

[56] **References Cited**

**U.S. PATENT DOCUMENTS**

D. 366,648 1/1996 Hill et al. .... D14/100

D. 372,899 8/1996 Swansey et al. .... D14/100  
D. 394,846 6/1998 Lee et al. .... D14/102  
D. 394,847 6/1998 Lee et al. .... D14/102

*Primary Examiner*—Kay H. Chin  
*Attorney, Agent, or Firm*—Andrew J. Dillon

[57] **CLAIM**

The ornamental design for a modular computer tower unit, as shown and described.

**DESCRIPTION**

FIG. 1 is a front perspective view of a modular computer tower unit showing my new design;  
FIG. 2 is a front elevational view thereof;  
FIG. 3 is a rear elevational view thereof;  
FIG. 4 is a right side elevational view thereof;  
FIG. 5 is a left side elevational view thereof;  
FIG. 6 is a top plan view thereof; and,  
FIG. 7 is a bottom plan view thereof.

**1 Claim, 7 Drawing Sheets**

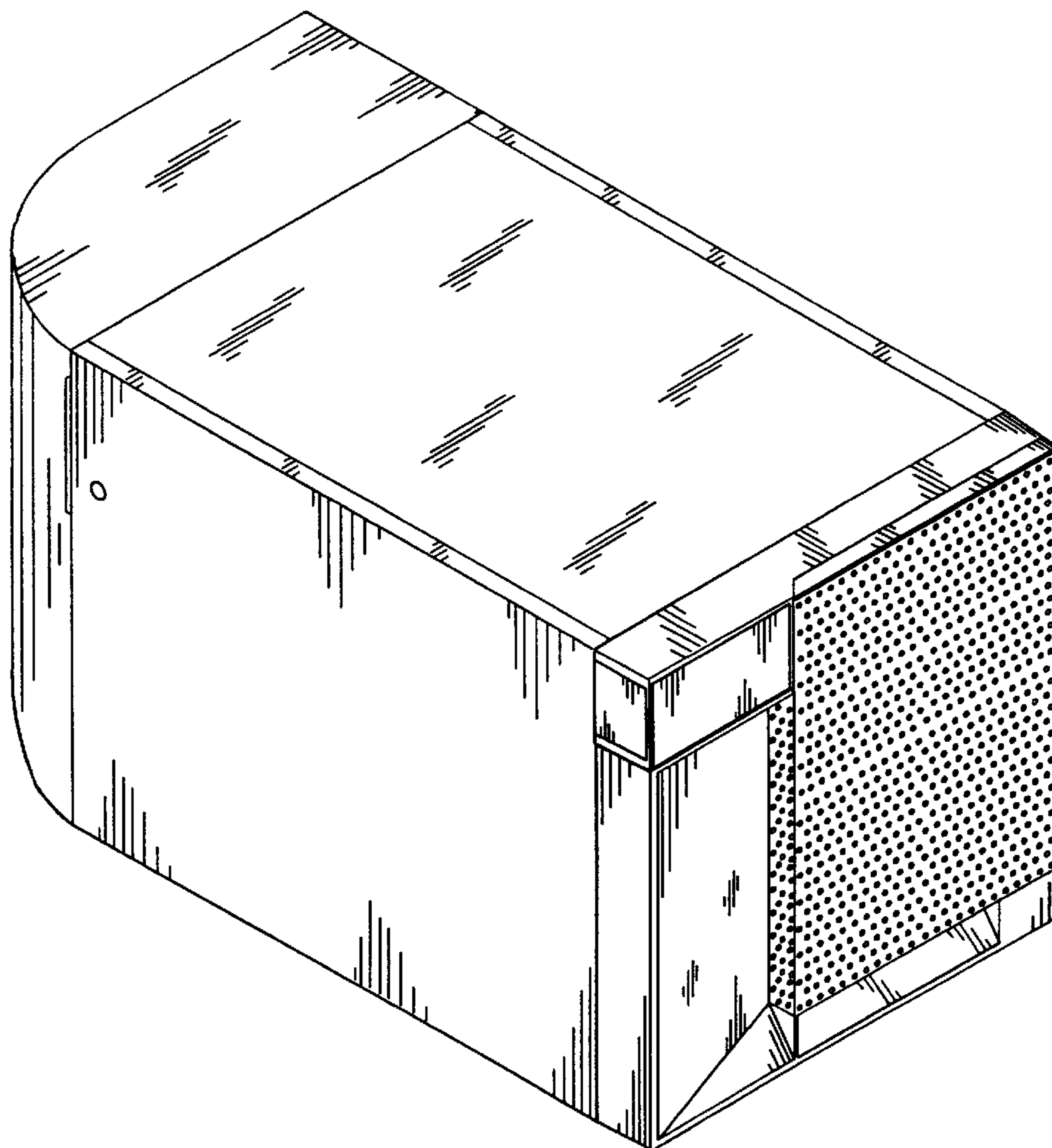


FIG. 1

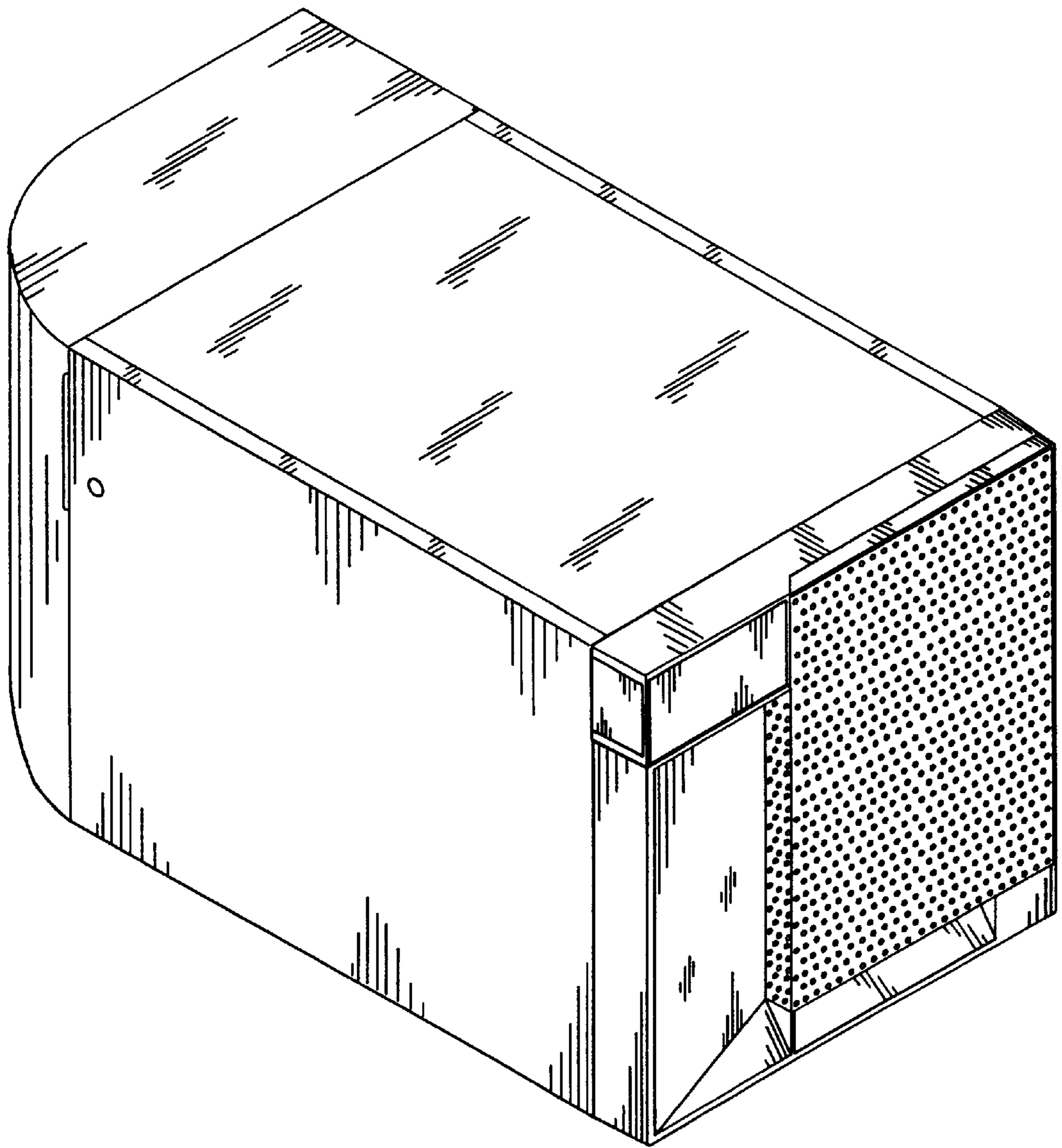
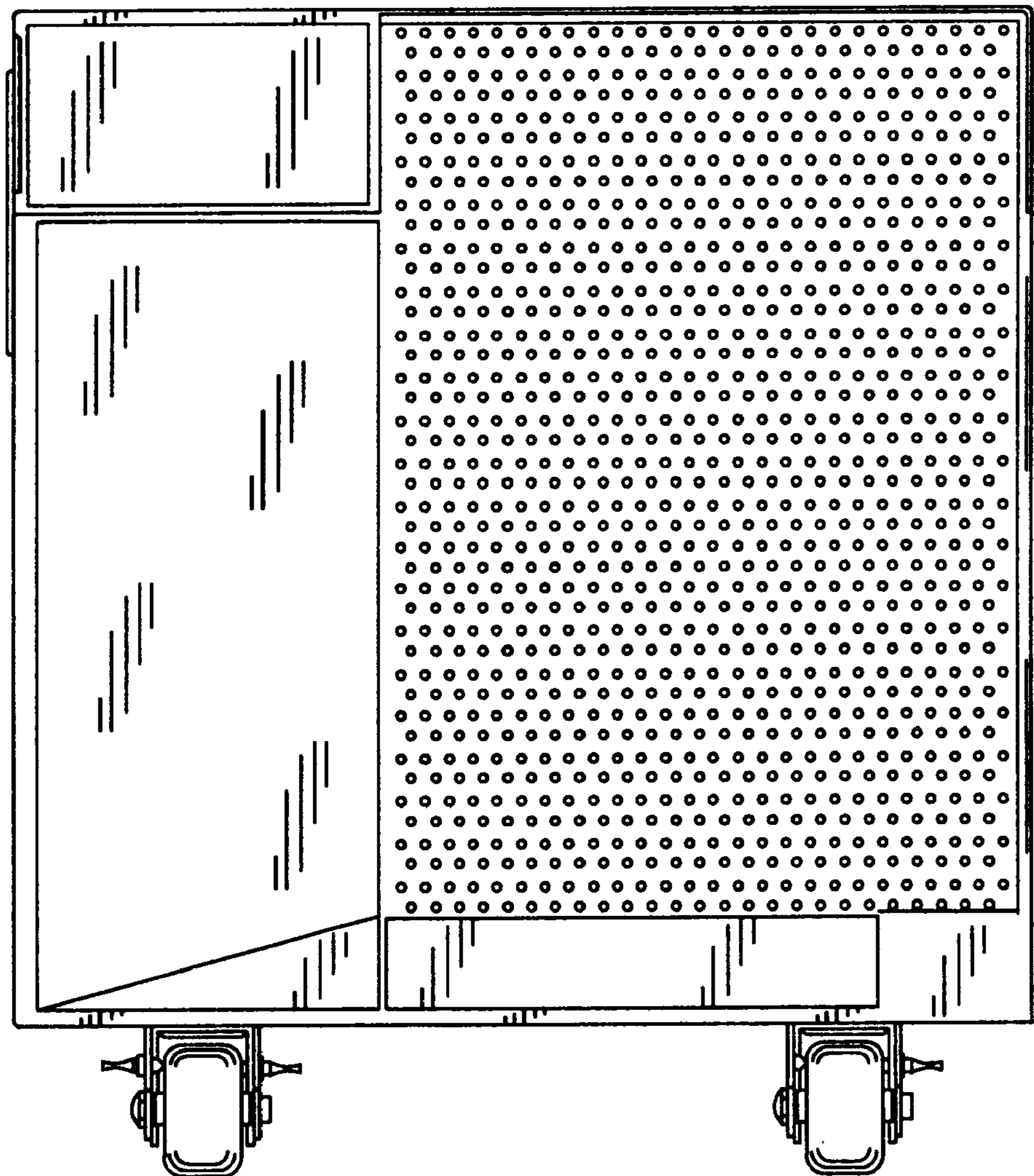


FIG. 2



# FIG. 3

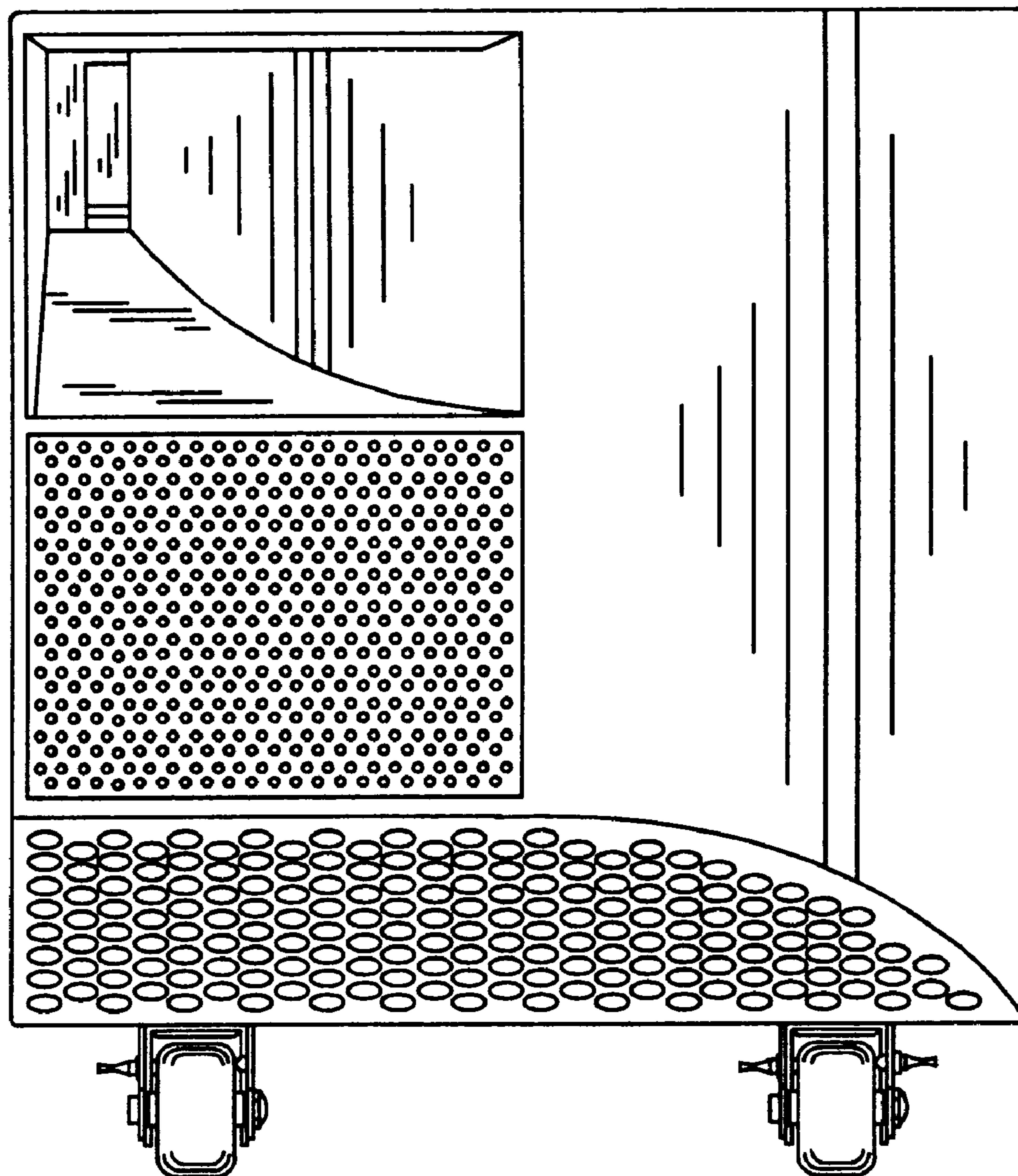


FIG. 4

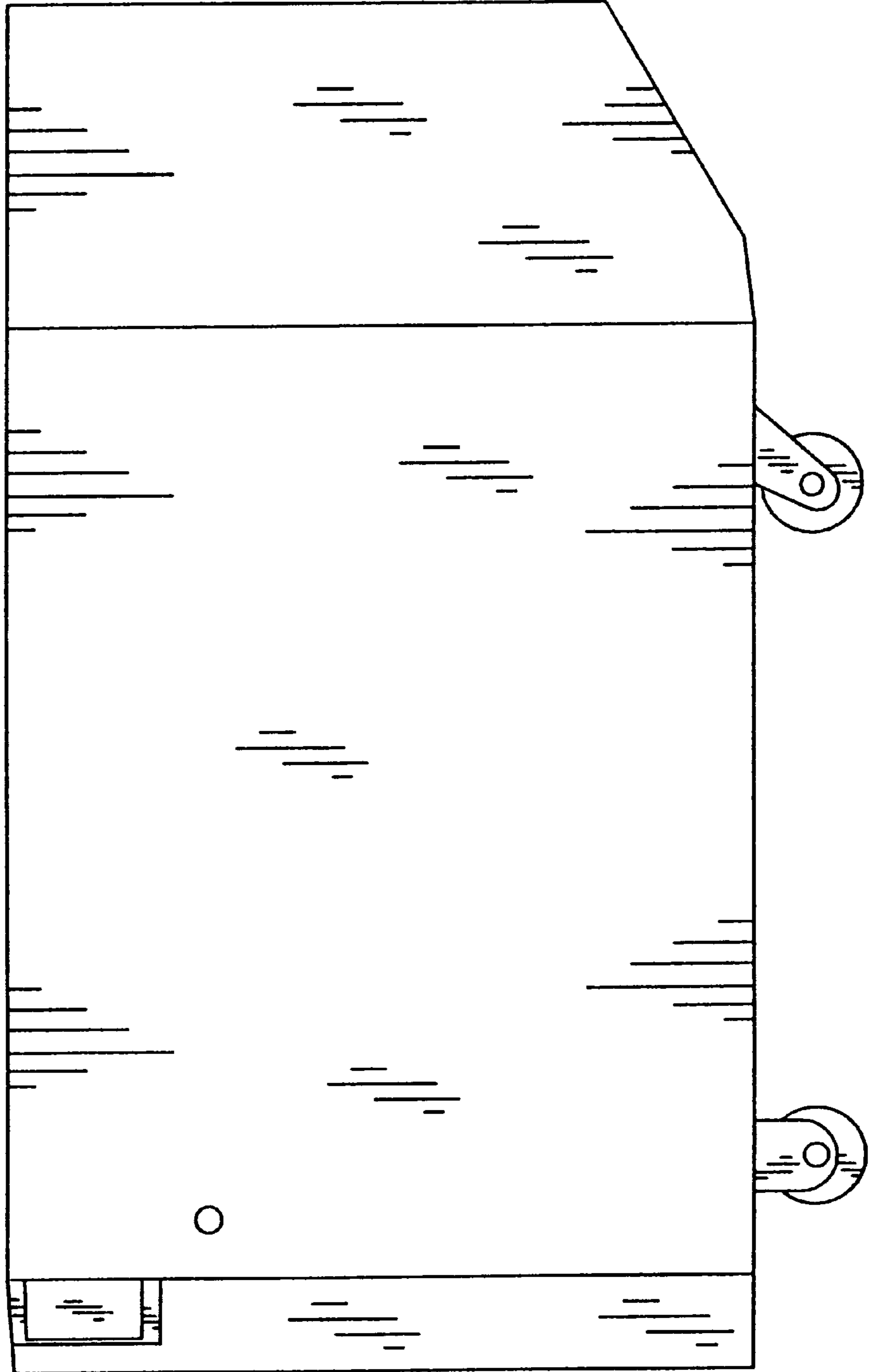


FIG. 5

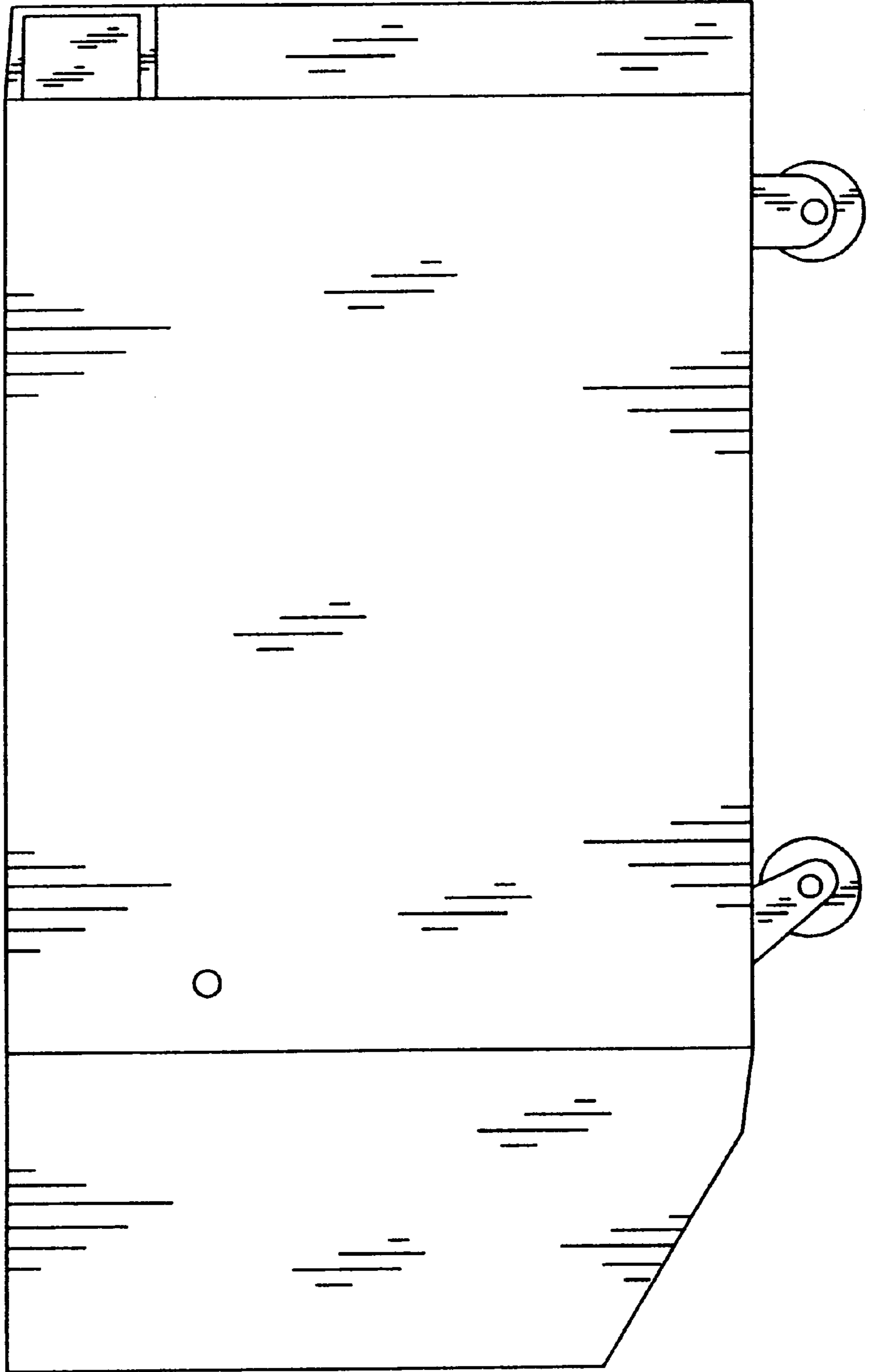


FIG. 6

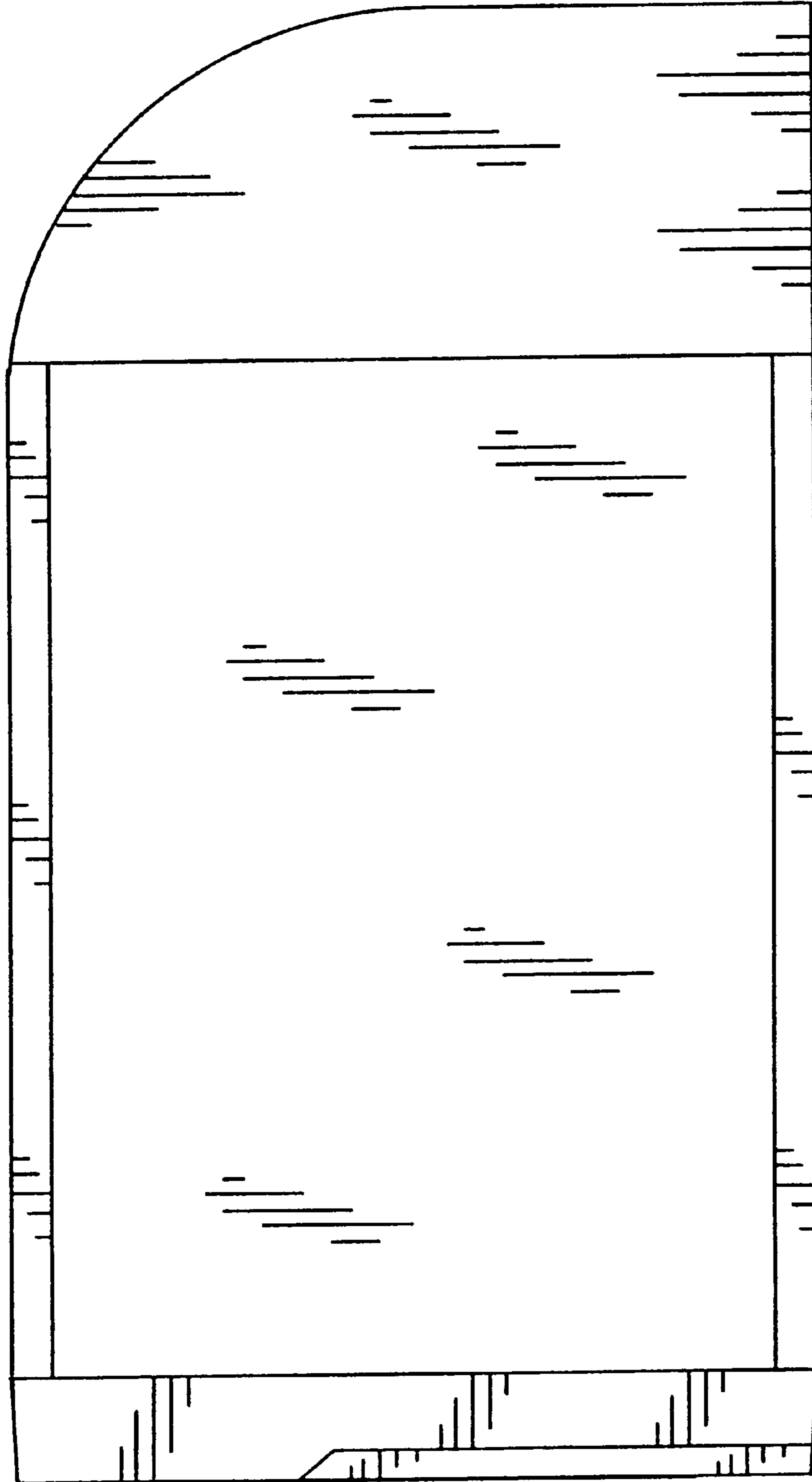


FIG. 7

