



US00D410897S

# United States Patent [19] Huang

[11] Patent Number: **Des. 410,897**

[45] Date of Patent: **\*\* Jun. 15, 1999**

[54] **ELECTRICAL CONNECTOR**

[75] Inventor: **Wayne Huang**, Alhambra, Calif.

[73] Assignee: **Hon Hai Precision, Ind. Co., Ltd.**,  
Taipei Hsien, Taiwan

[\*\*] Term: **14 Years**

[21] Appl. No.: **29/088,549**

[22] Filed: **May 27, 1998**

[51] **LOC (6) Cl.** ..... **13-03**

[52] **U.S. Cl.** ..... **D13/147**

[58] **Field of Search** ..... D13/147; 439/325,  
439/326, 378, 630, 636, 607, 571, 62, 79,  
81, 83, 682, 252

[56] **References Cited**

**U.S. PATENT DOCUMENTS**

D. 313,007 12/1990 Nakamura ..... D13/147

D. 332,599 1/1993 Kikuta et al. .... D13/147

D. 398,584 9/1998 Hirai et al. .... D13/147

5,356,300 10/1994 Costello et al. .... 439/378 X

5,401,189 3/1995 Sato ..... 439/607

*Primary Examiner*—Joel Sincavage

[57] **CLAIM**

The ornamental design for an electrical connector, as shown.

**DESCRIPTION**

FIG. 1 is a perspective view of an electrical connector showing my new design;

FIG. 2 is a front elevational view thereof;

FIG. 3 is a rear elevational view thereof;

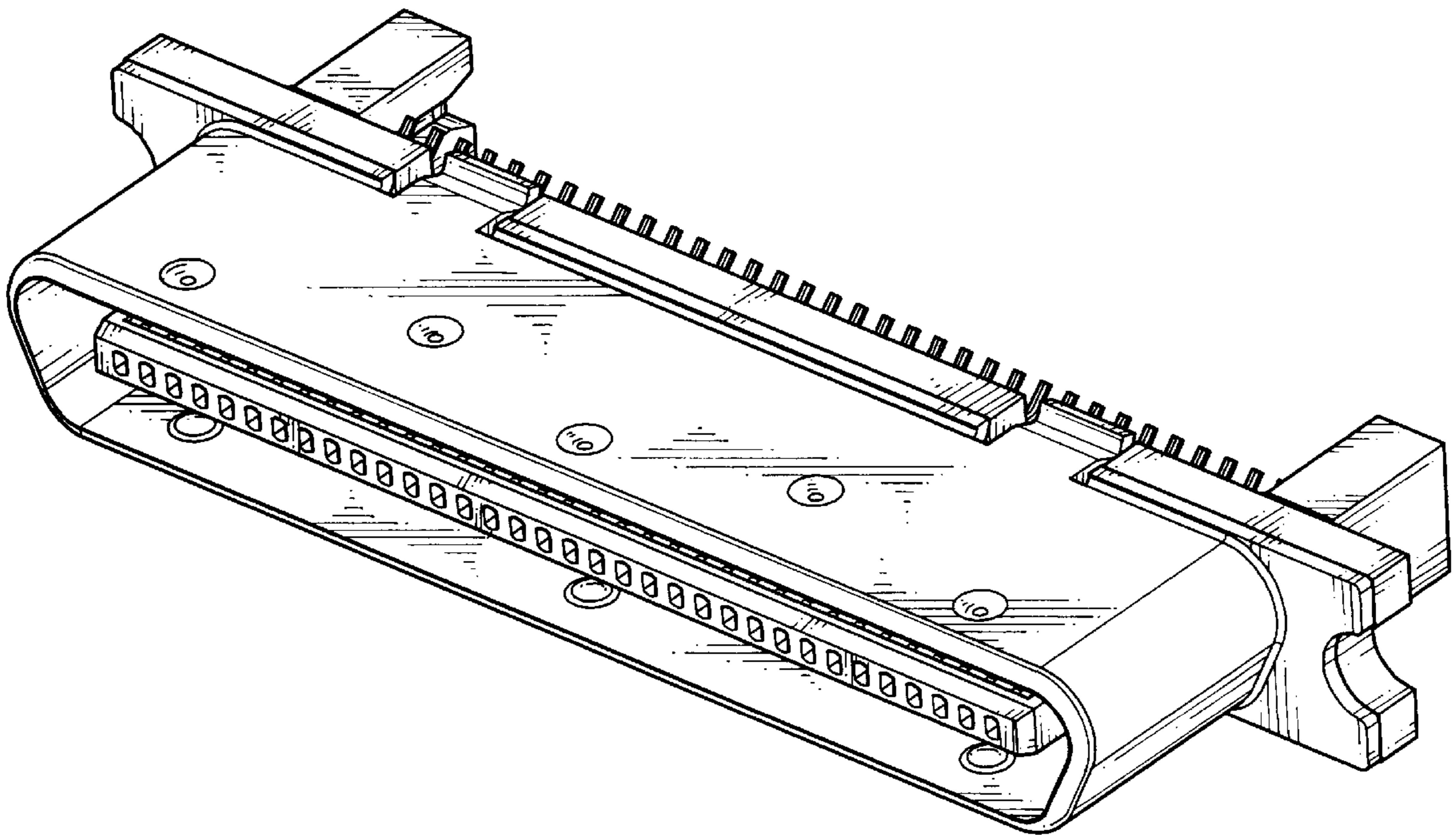
FIG. 4 is a left side elevational view thereof;

FIG. 5 is a right side elevational view thereof;

FIG. 6 is a top plan view thereof; and,

FIG. 7 is a bottom plan view thereof.

**1 Claim, 5 Drawing Sheets**



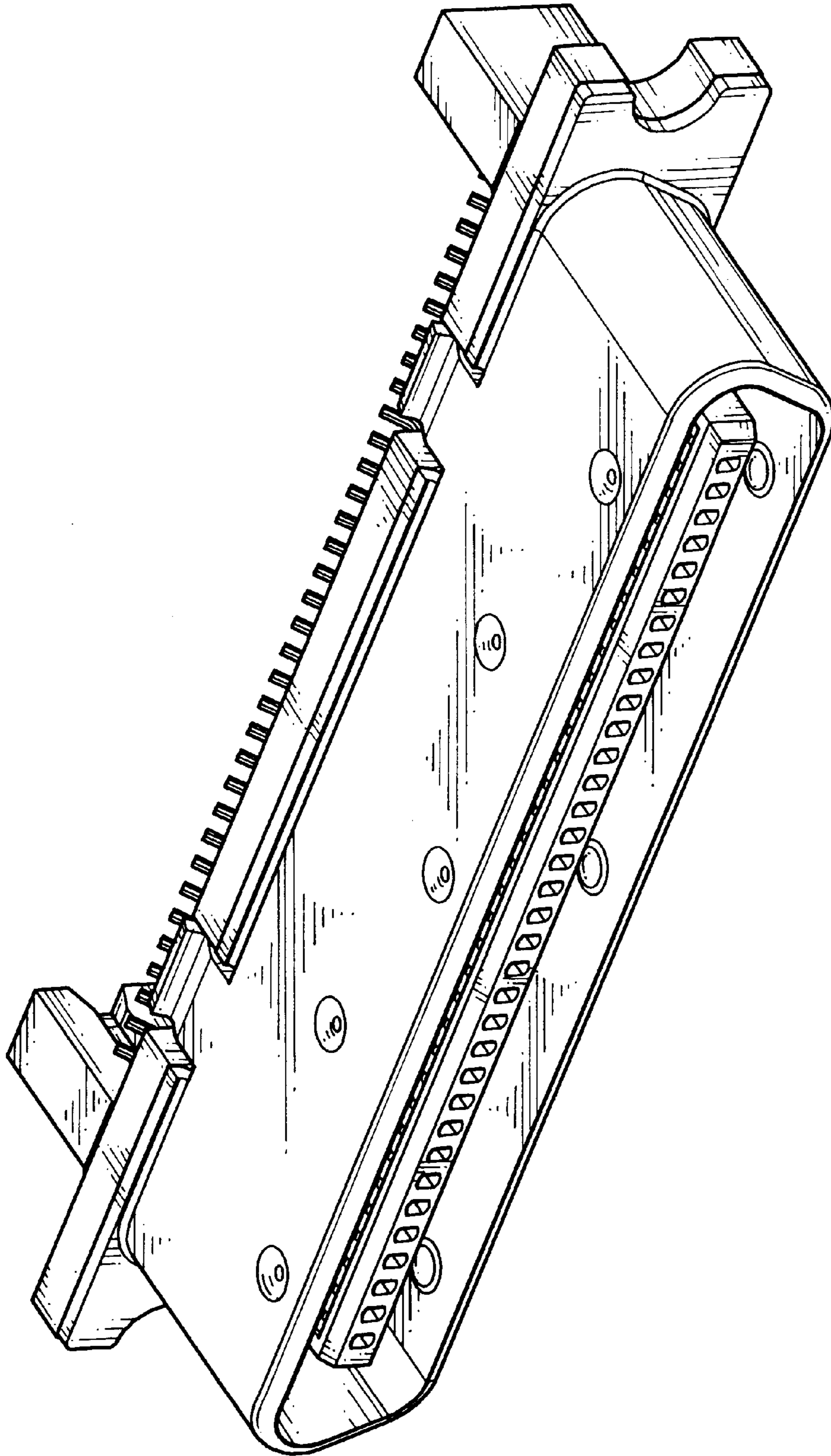


FIG. 1

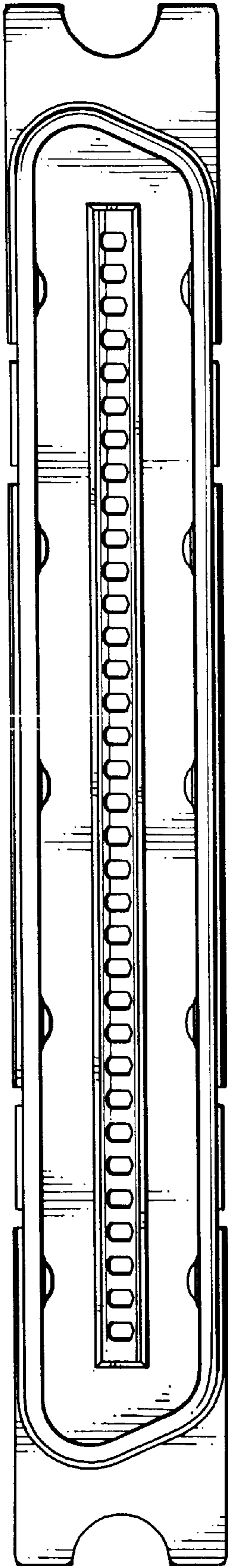


FIG. 2

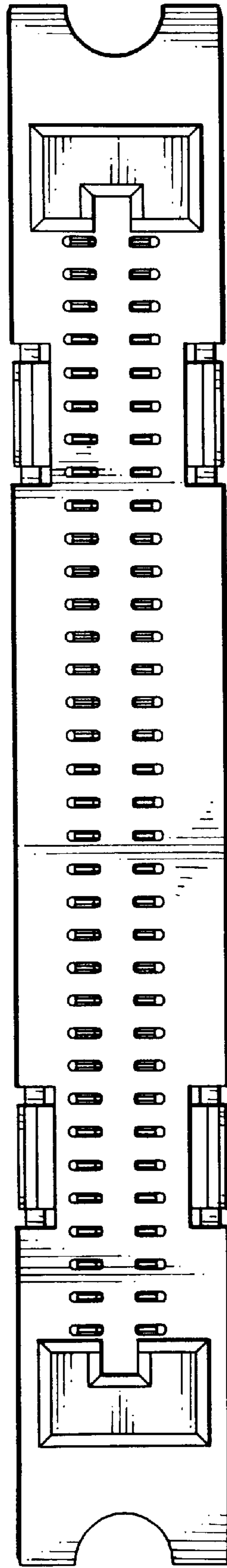


FIG. 3

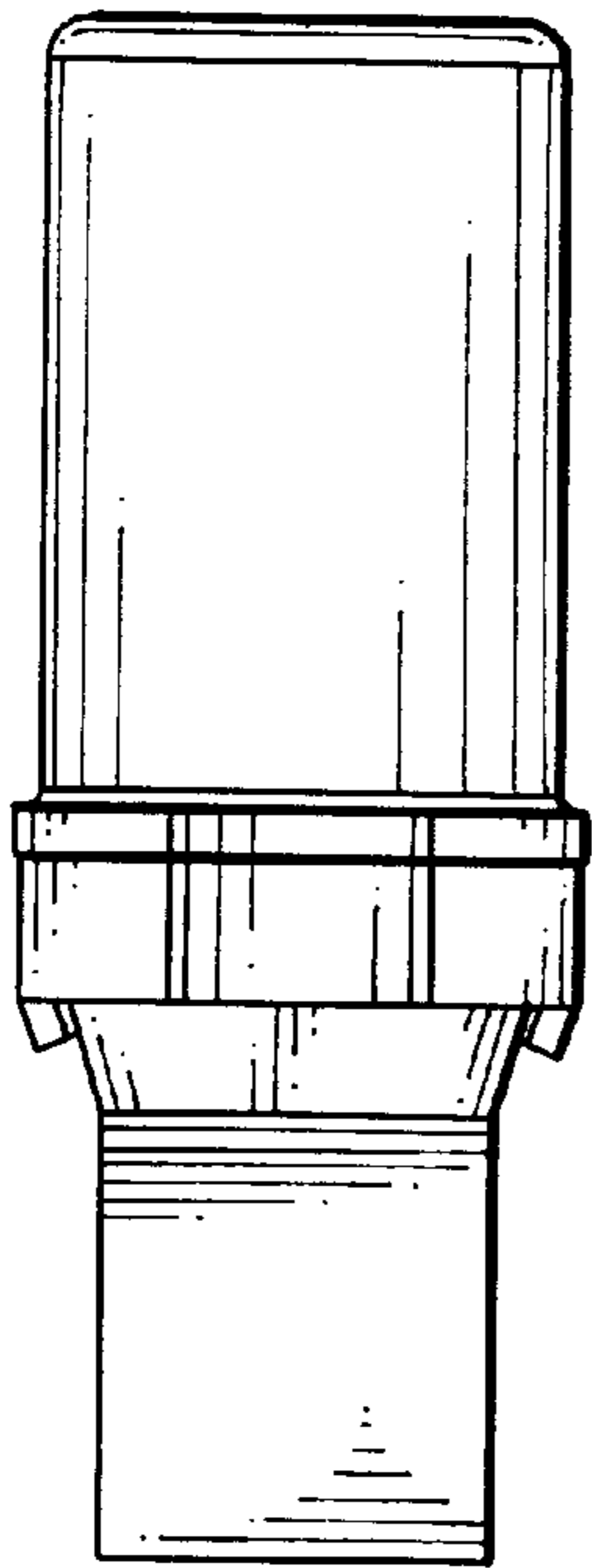


FIG. 4

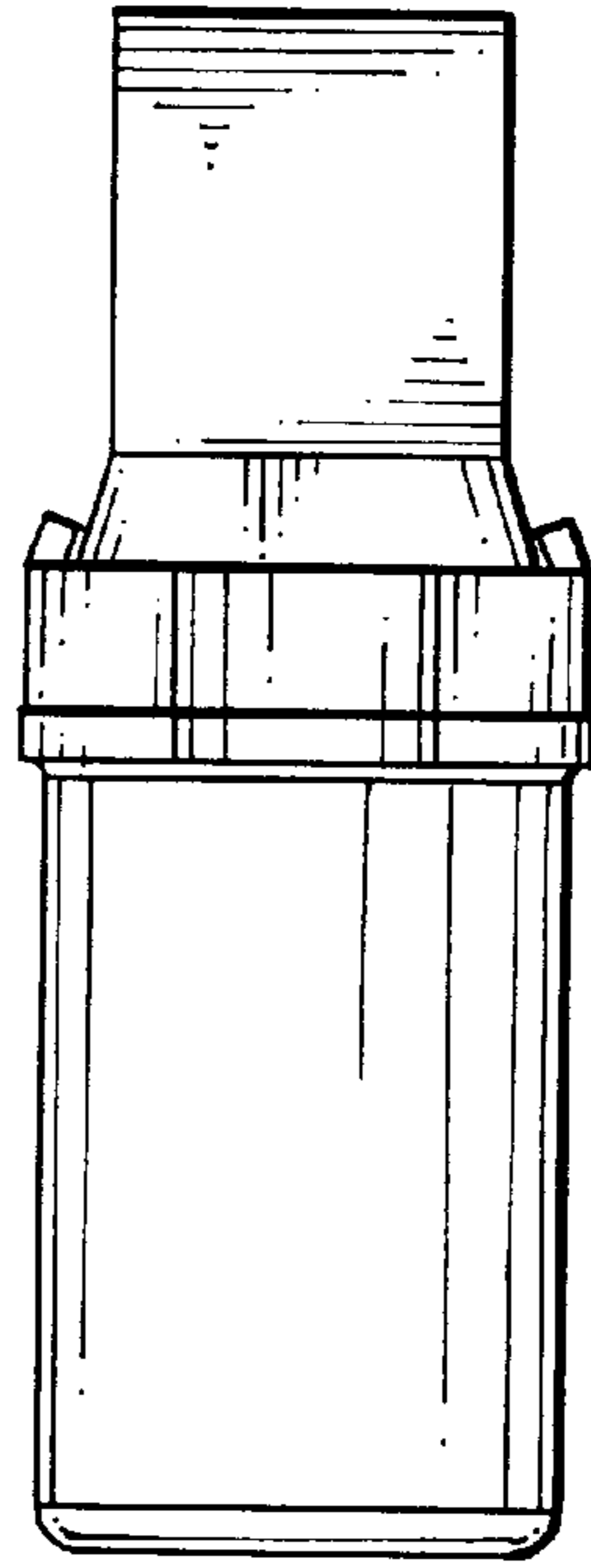


FIG. 5

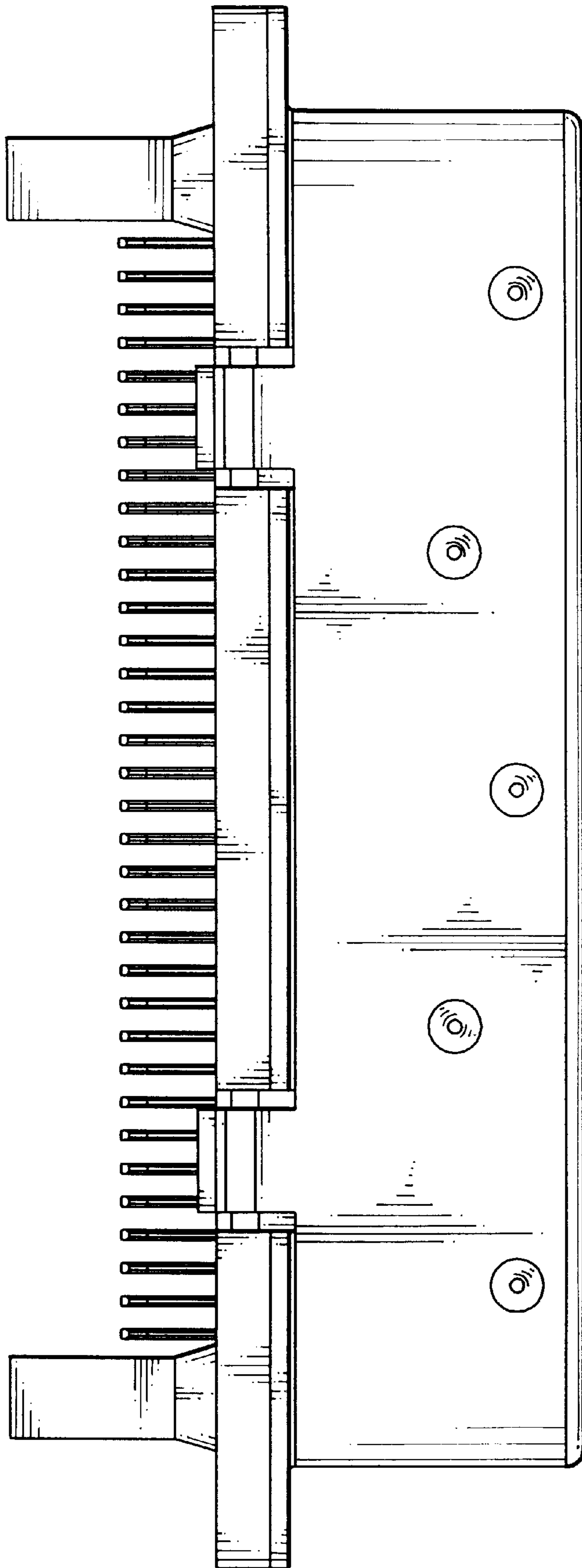


FIG. 6

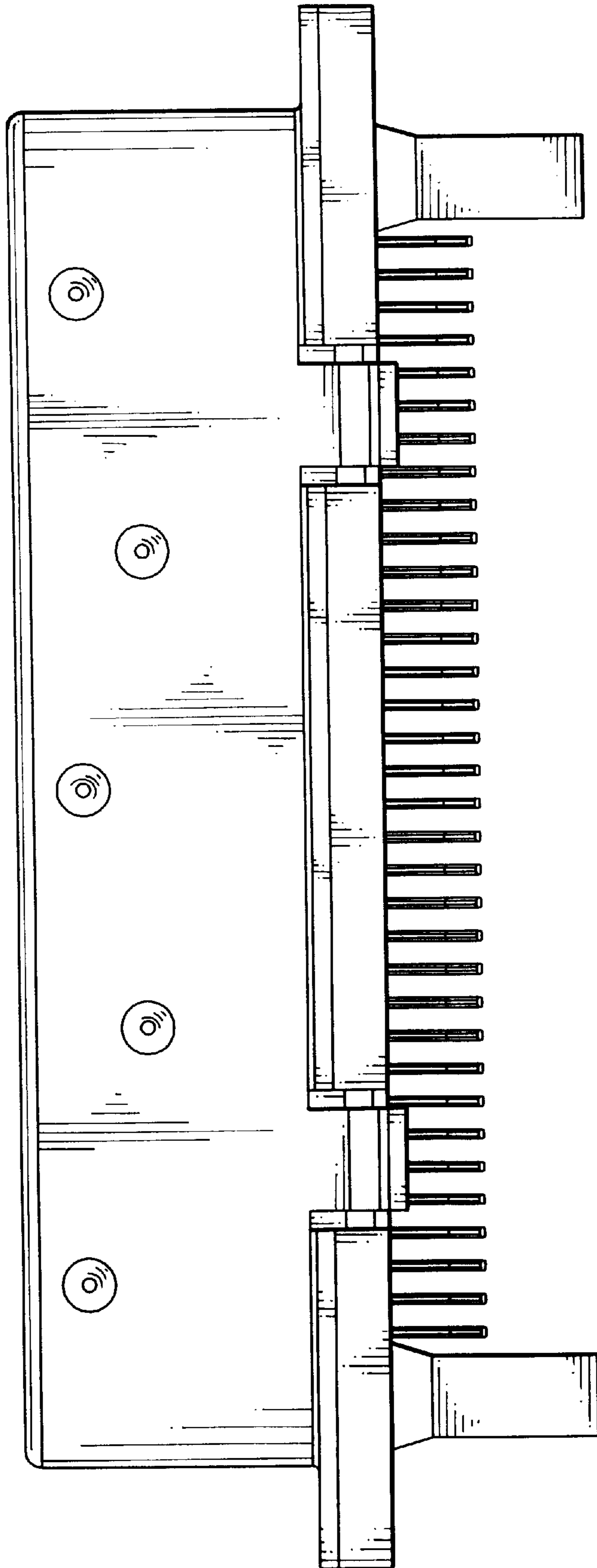


FIG. 7