



US00D410896S

United States Patent [19]

Yotsutani et al.

[11] Patent Number: Des. 410,896

[45] Date of Patent: ** Jun. 15, 1999

[54] ELECTRIC CONNECTOR

D. 375,293 11/1996 Suzuki D13/147
5,660,558 8/1997 Osanai et al. 439/607 X

[75] Inventors: Kenichi Yotsutani; Yuji Hirai, both of Tokyo, Japan

Primary Examiner—Joel Sincavage
Attorney, Agent, or Firm—Nikaido, Marmelstein, Murray & Oram LLP

[73] Assignee: Honda Tsushin Kogyo Co., Ltd., Tokyo, Japan

[**] Term: 14 Years

[57] CLAIM

[21] Appl. No.: 29/088,223

The ornamental design for electric connector, as shown and described.

[22] Filed: May 19, 1998

DESCRIPTION

[30] Foreign Application Priority Data

Apr. 3, 1998 [JP] Japan 10-9338

FIG. 1 is a perspective view of the electric connector showing my new design;

[51] LOC (6) Cl. 13-03

FIG. 2 is a front elevational view thereof;

[52] U.S. Cl. D13/147

FIG. 3 is a rear elevational view thereof;

[58] Field of Search D13/146, 147;
439/252, 325, 326, 378, 630, 633, 636,
607, 609, 682, 57, 62, 79, 81, 83

FIG. 4 is a right side elevational view thereof;

FIG. 5 is a top plan view thereof; and,

FIG. 6 is a bottom plan view thereof.

[56] References Cited

U.S. PATENT DOCUMENTS

D. 351,136 10/1994 Kurata D13/147

1 Claim, 2 Drawing Sheets

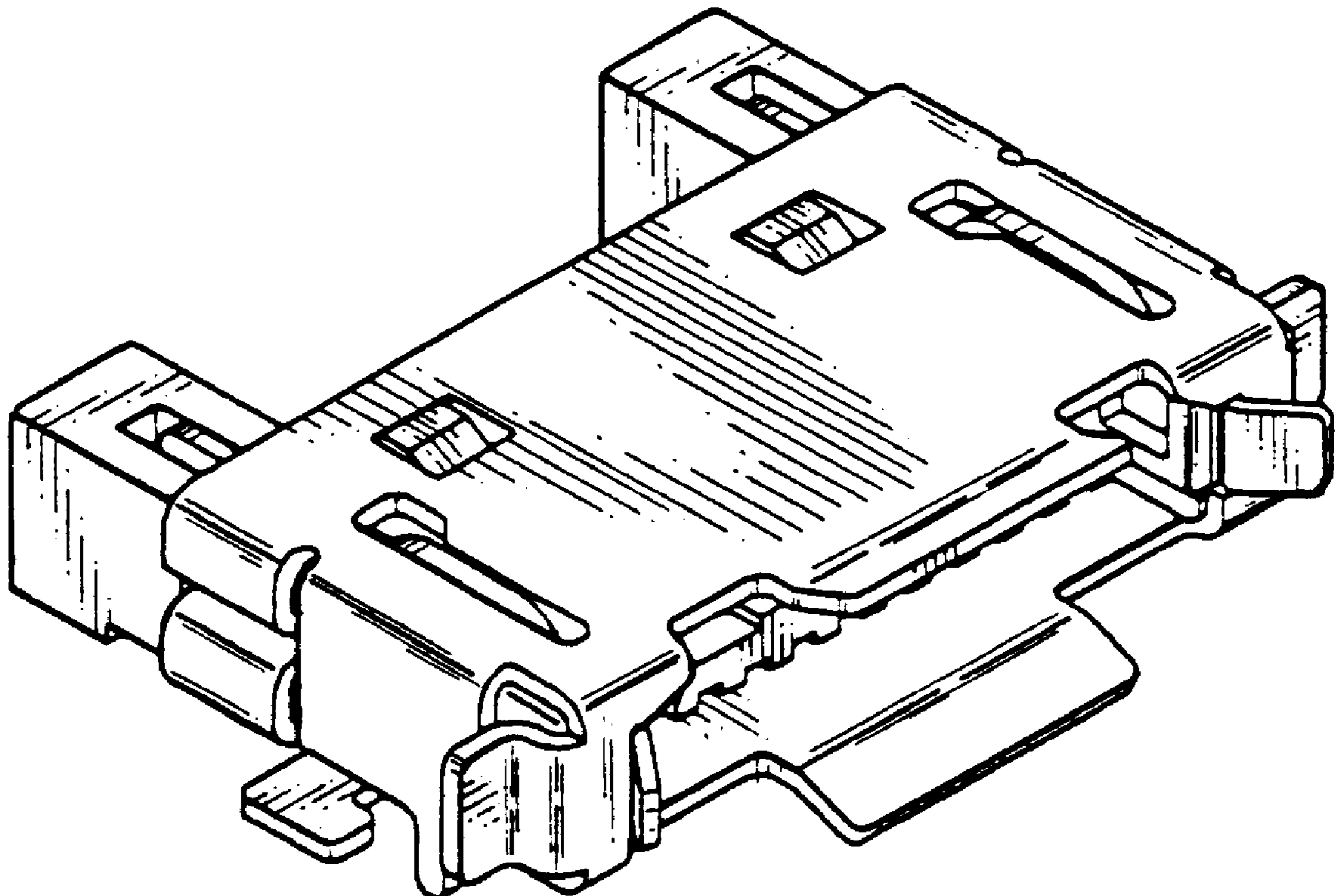


FIG. 1

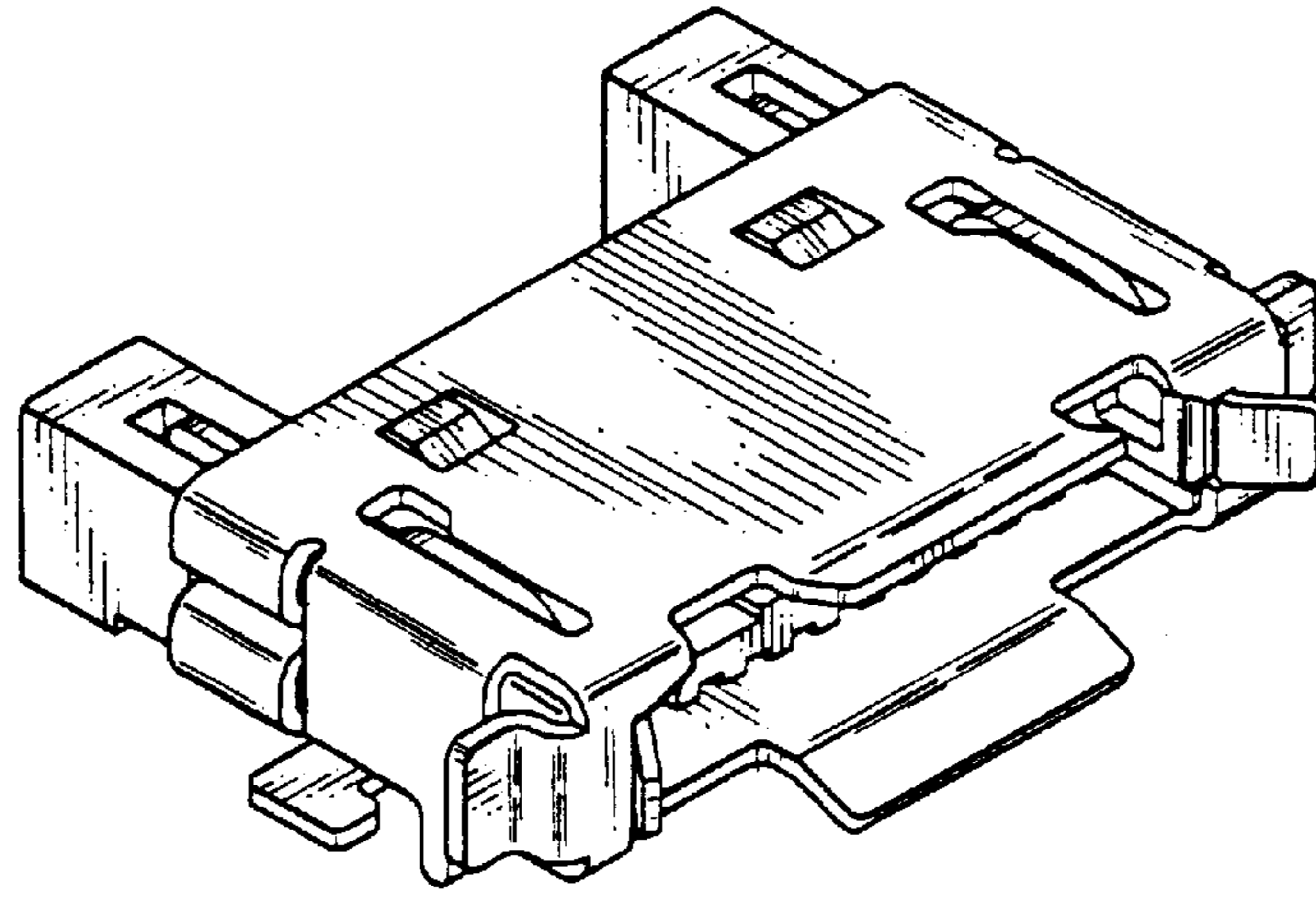


FIG. 2

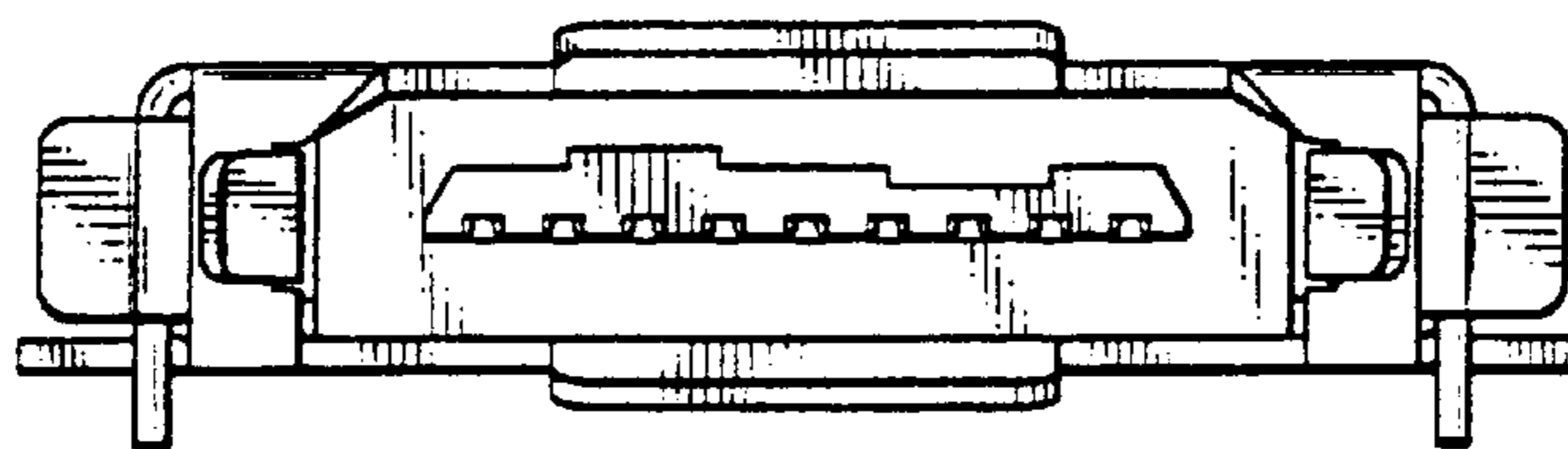


FIG. 3

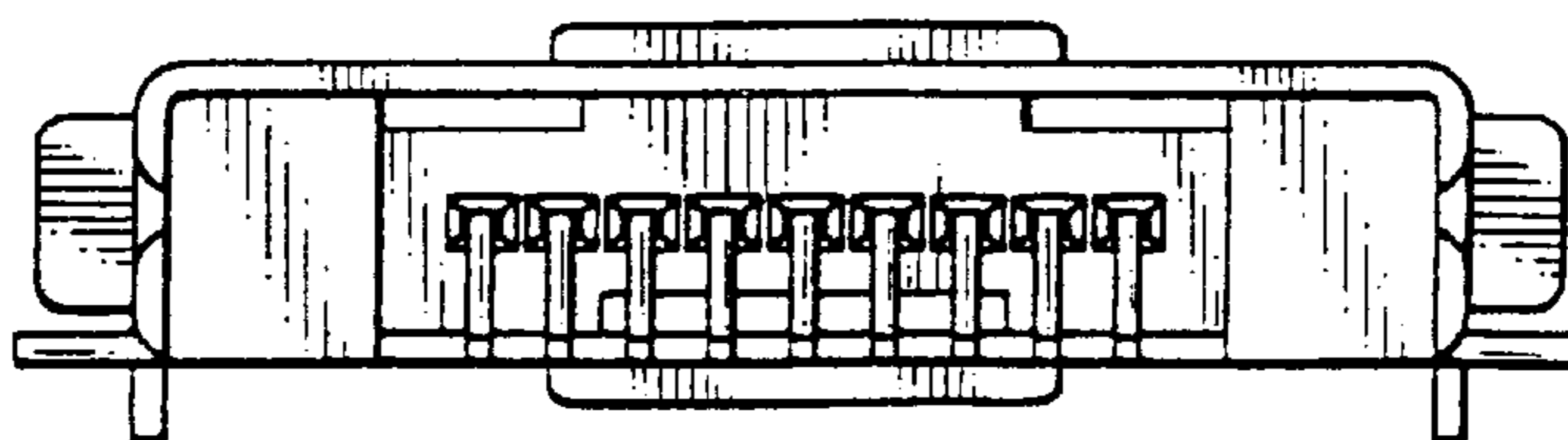


FIG. 4

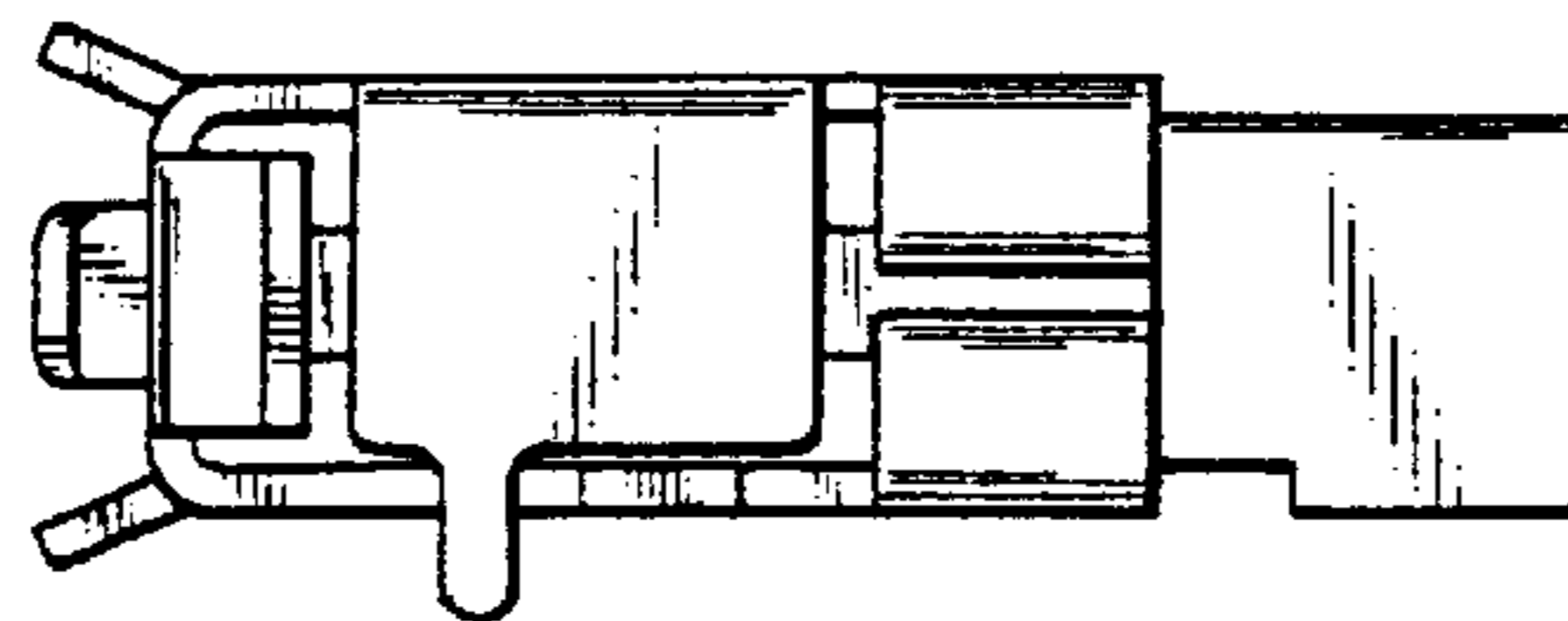


FIG. 5

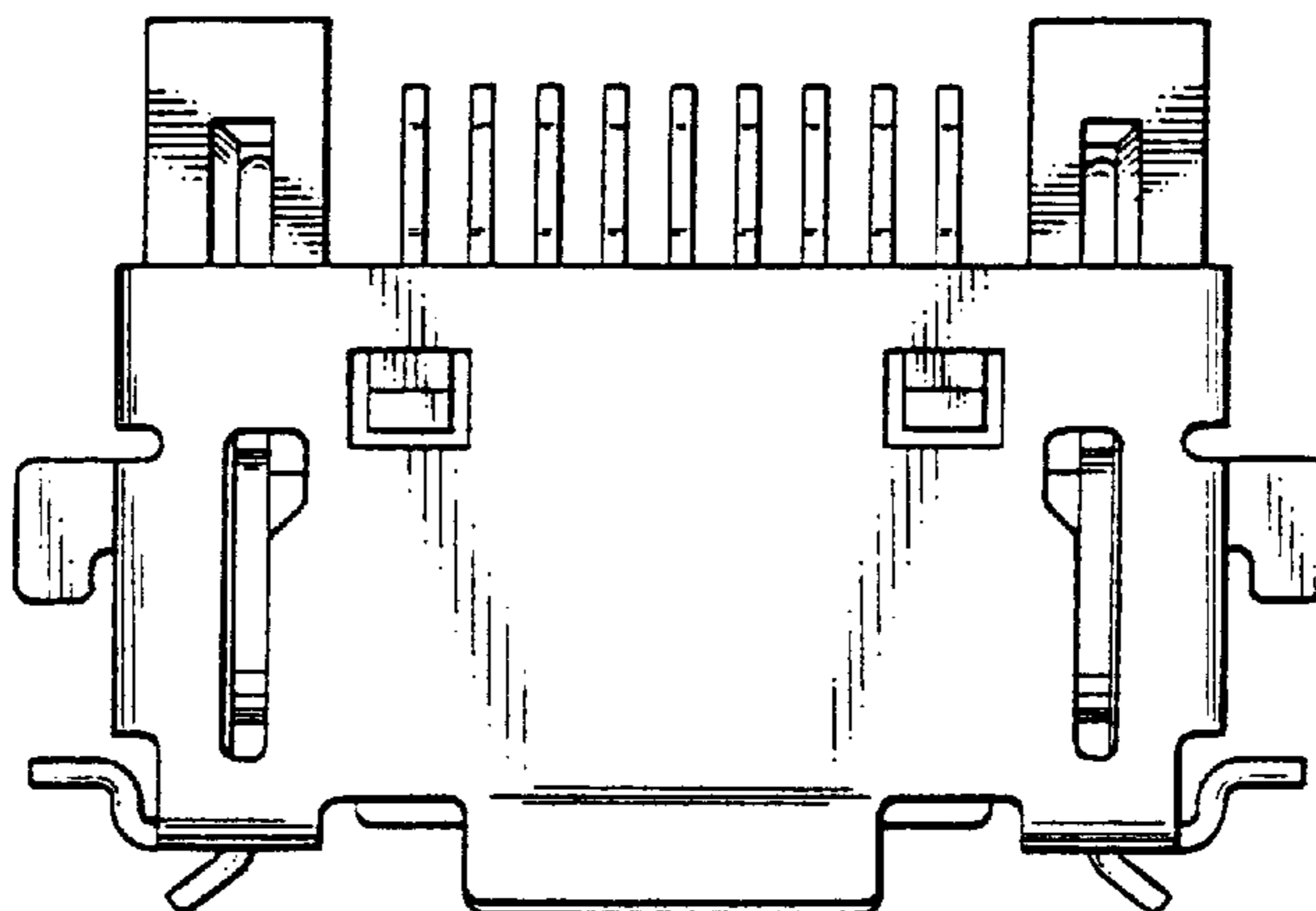


FIG. 6

