



US00D410894S

United States Patent [19]

[11] Patent Number: Des. 410,894

Chau et al.

[45] Date of Patent: ** Jun. 15, 1999

[54] ELECTRICAL CONNECTOR HOUSING

OTHER PUBLICATIONS

[75] Inventors: **Danny Kwun-Man Chau; Richard J. Middlehurst**, both of Fremont, Calif.

Molex Incorporated, Edge Card Connector for .050" (1,27 mm) Center Ribbon Cable, "6874 Series, .100" (2,54 mm) Center," p. 12B, Catalog 980, 2nd ed. (1991).

[73] Assignee: **Elcon Products International Company**, Fremont, Calif.

Molex Incorporated, Dual Row Shrouded Headers, "8724 Right Angle Pin," p. 76A, Catalog 980, 2nd ed. (1991).

[**] Term: **14 Years**

Molex Incorporated, Dual Row Shrouded Headers, "8723 Straight Pin," p. 75A, Catalog 980, 2nd ed. (1991).

[21] Appl. No.: **29/087,055**

Quickie® IDC system connector on p. 222 on *Dupontconnector Systems Catalog 86A*.

[22] Filed: **Apr. 24, 1998**

Primary Examiner—Joel Sincavage

[51] **LOC (6) Cl.** **13-03**

Attorney, Agent, or Firm—Burns, Doane, Swecker & Mathis, LLP

[52] **U.S. Cl.** **D13/147**

[58] **Field of Search** D13/147; 439/59, 439/76.1, 564, 569, 636, 637, 701

[57] CLAIM

[56] References Cited

The ornamental design for an electrical connector housing, as shown and described.

U.S. PATENT DOCUMENTS

DESCRIPTION

- D. 290,249 6/1987 Knickerbocker, et al. .
- D. 301,870 6/1989 Shibano .
- D. 302,422 7/1989 Justiano et al. .
- D. 314,752 2/1991 Maejima et al. .
- D. 326,644 6/1992 Moriai et al. D13/147
- D. 330,540 10/1992 Tananka .
- D. 331,039 11/1992 Watanabe .
- D. 368,071 3/1996 Eaton .
- D. 372,220 7/1996 Matthews .
- 3,054,078 9/1962 Baschkin .
- 3,456,231 7/1969 Paullus et al. .
- 3,471,822 10/1969 Van Baelen .
- 3,560,911 2/1971 Zimmerman, Jr. et al. .
- 3,587,029 6/1971 Knowles .
- 3,697,933 10/1972 Black et al. .
- 3,808,578 4/1974 Hansen .
- 4,090,764 5/1978 Malsby et al. .
- 4,379,611 4/1983 Foege et al. .
- 4,439,000 3/1984 Kaufman et al. 439/637
- 4,451,107 5/1984 Dola et al. .
- 4,514,784 4/1985 Williams et al. .
- 4,550,959 11/1985 Grabbe et al. .

FIG. 1 is a perspective view as seen from the front and upper right of a first embodiment of an electrical connector housing showing our new design;

FIG. 2 is a right side elevational view thereof;

FIG. 3 is a front elevational view thereof;

FIG. 4 is a left side elevational view thereof;

FIG. 5 is a rear elevational view thereof;

FIG. 6 is a top plan view thereof;

FIG. 7 is a bottom plan view thereof;

FIG. 8 is a perspective view as seen from the front and upper right of a second embodiment of the electrical connector housing;

FIG. 9 is a right side elevational view thereof;

FIG. 10 is a front elevational view thereof;

FIG. 11 is a left elevational view thereof;

FIG. 12 is a rear elevational view thereof;

FIG. 13 is a top plan view thereof; and,

FIG. 14 is a bottom plan view thereof.

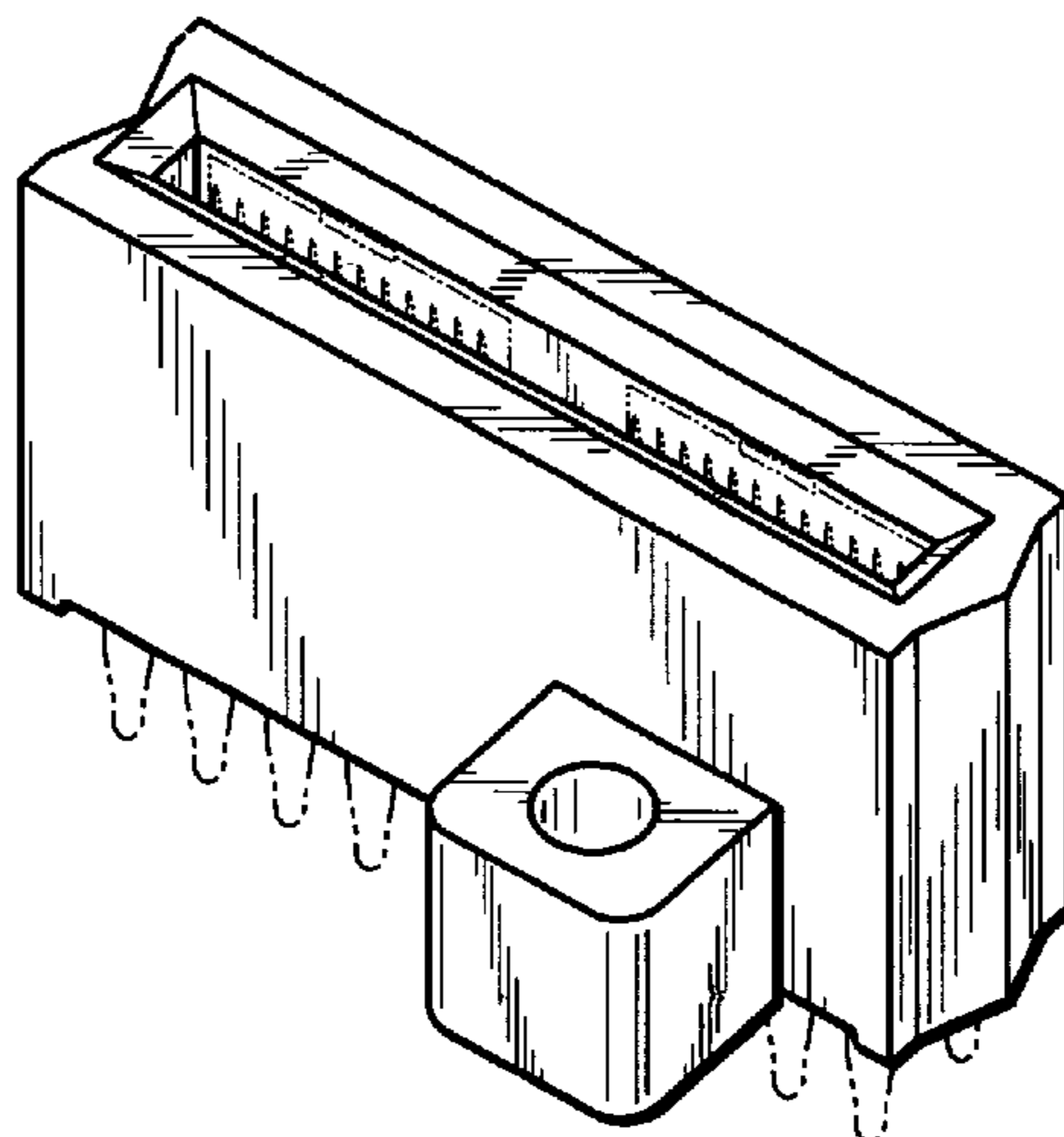
(List continued on next page.)

The broken line showing throughout the drawing views is included for the purpose of illustrating environmental structure only and forms no part of the claimed design.

FOREIGN PATENT DOCUMENTS

0 549 960 A2 12/1992 European Pat. Off. .

1 Claim, 2 Drawing Sheets



U.S. PATENT DOCUMENTS					
			5,145,413	9/1992	Okamoto et al. .
			5,147,226	9/1992	Kile .
			5,156,552	10/1992	Zaderej et al. .
			5,181,853	1/1993	Van Brunt, Jr. et al. .
			5,211,589	5/1993	McCardell .
			5,217,386	6/1993	Ohsumi et al. .
			5,236,375	8/1993	Kachlic .
			5,261,840	11/1993	Benz .
			5,306,160	4/1994	Roberts .
			5,306,182	4/1994	Fukushima et al. .
			5,342,226	8/1994	Hayes et al. .
			5,376,012	12/1994	Clark .
			5,431,576	7/1995	Matthews .
			5,547,400	8/1996	Wright .
			5,575,690	11/1996	Eaton .
			5,584,728	12/1996	Cheng 439/637
			5,810,623	9/1998	Regnier et al. 439/637
			5,813,883	9/1998	Lin 439/637
4,616,893	10/1986	Feldman .			
4,728,163	3/1988	Kittinger et al. .			
4,749,357	6/1988	Foley .			
4,824,380	4/1989	Matthews .			
4,846,737	7/1989	Jorroch et al. .			
4,854,899	8/1989	Matthews .			
4,867,713	9/1989	Ozu et al. .			
4,871,320	10/1989	Mouissie .			
4,946,392	8/1990	Kobler et al. .			
4,969,824	11/1990	Casciotti .			
4,983,127	1/1991	Kawai et al. .			
4,993,972	2/1991	Lin 439/637			
4,998,887	3/1991	Kaufman et al. 439/701 X			
5,013,263	5/1991	Gordon et al. .			
5,024,609	6/1991	Piorunneck .			
5,055,055	10/1991	Bakker .			
5,088,942	2/1992	Welsh et al. .			
5,108,313	4/1992	Adams 439/701 X			

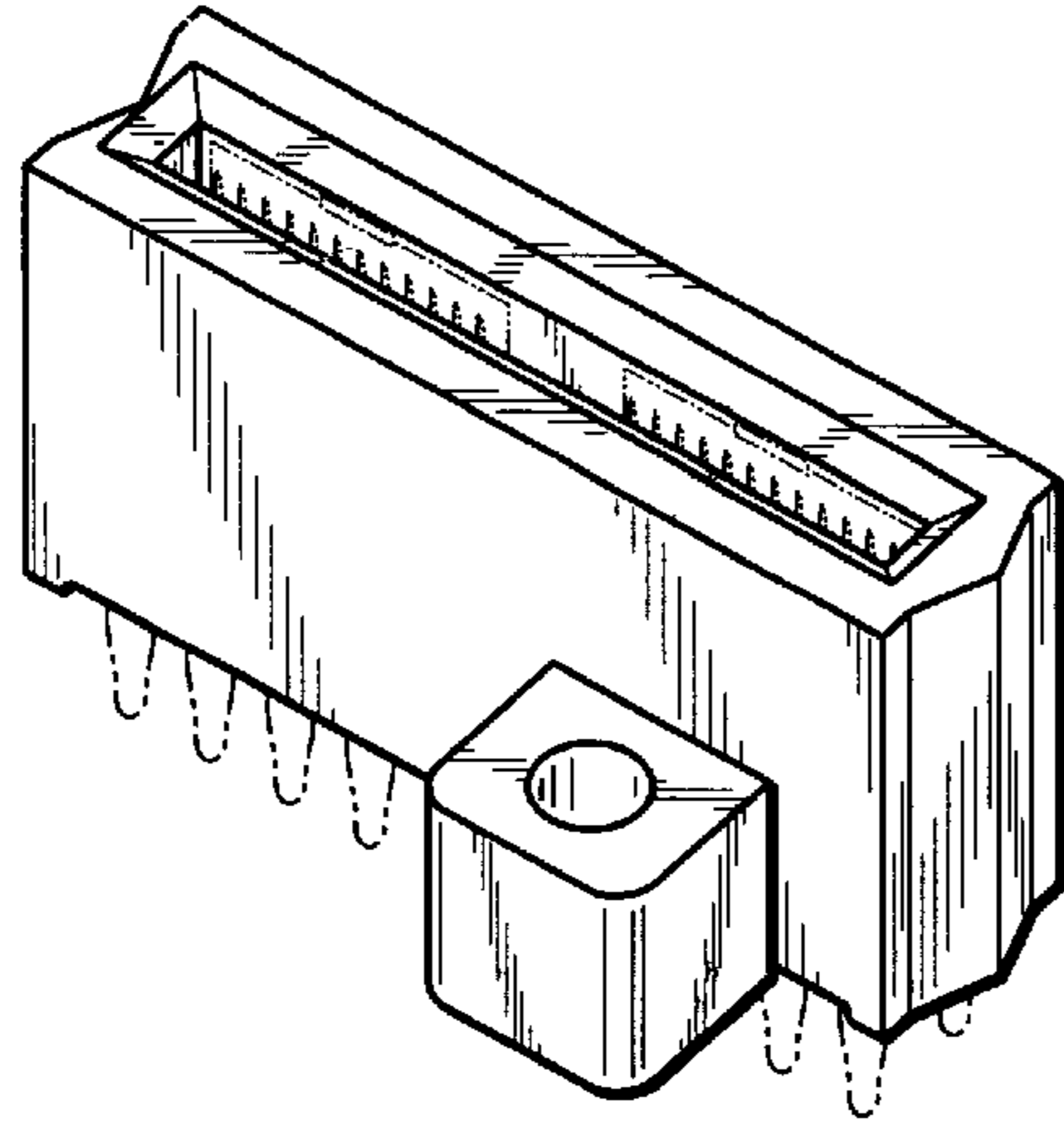


FIG._1

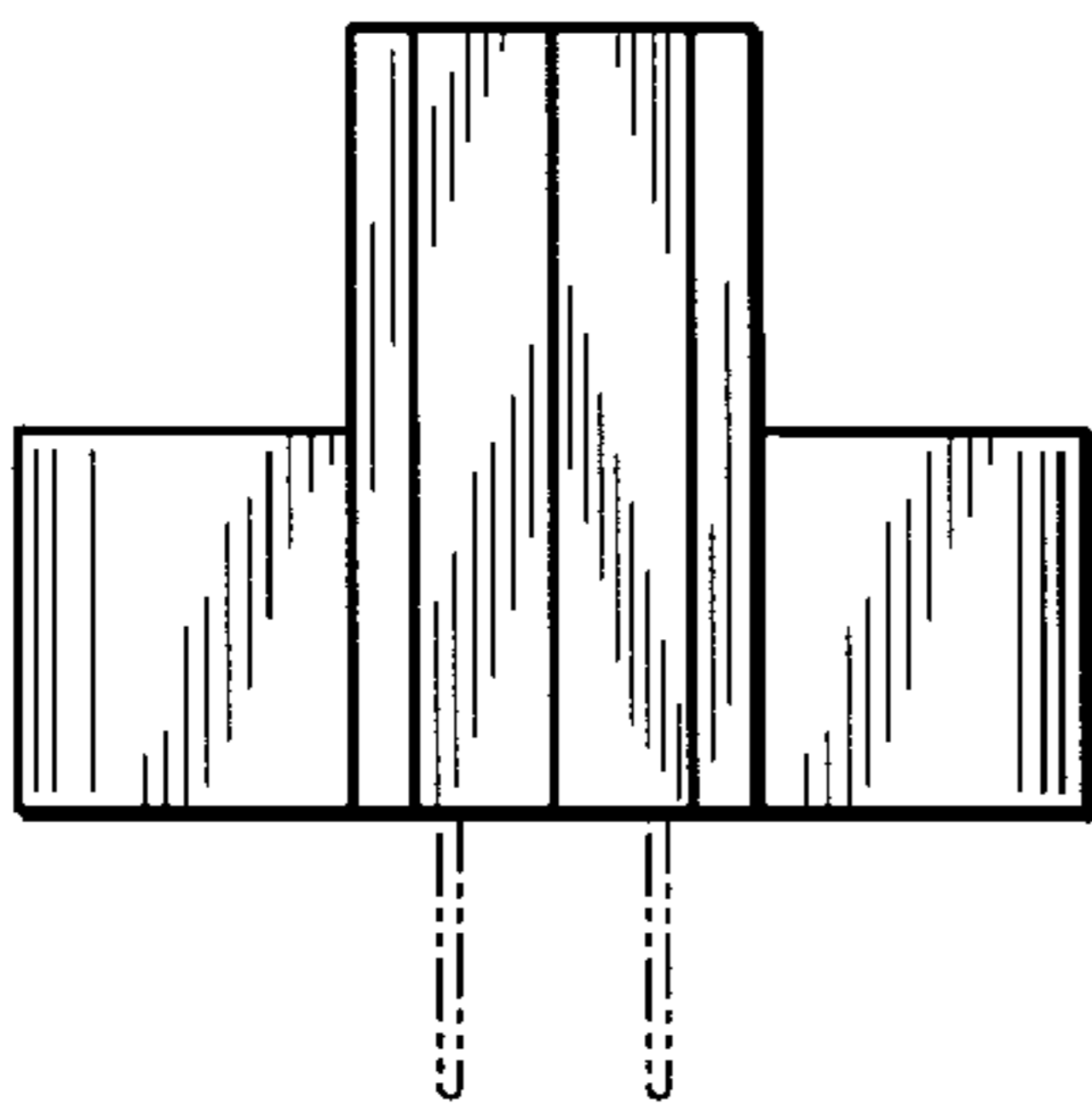


FIG._2

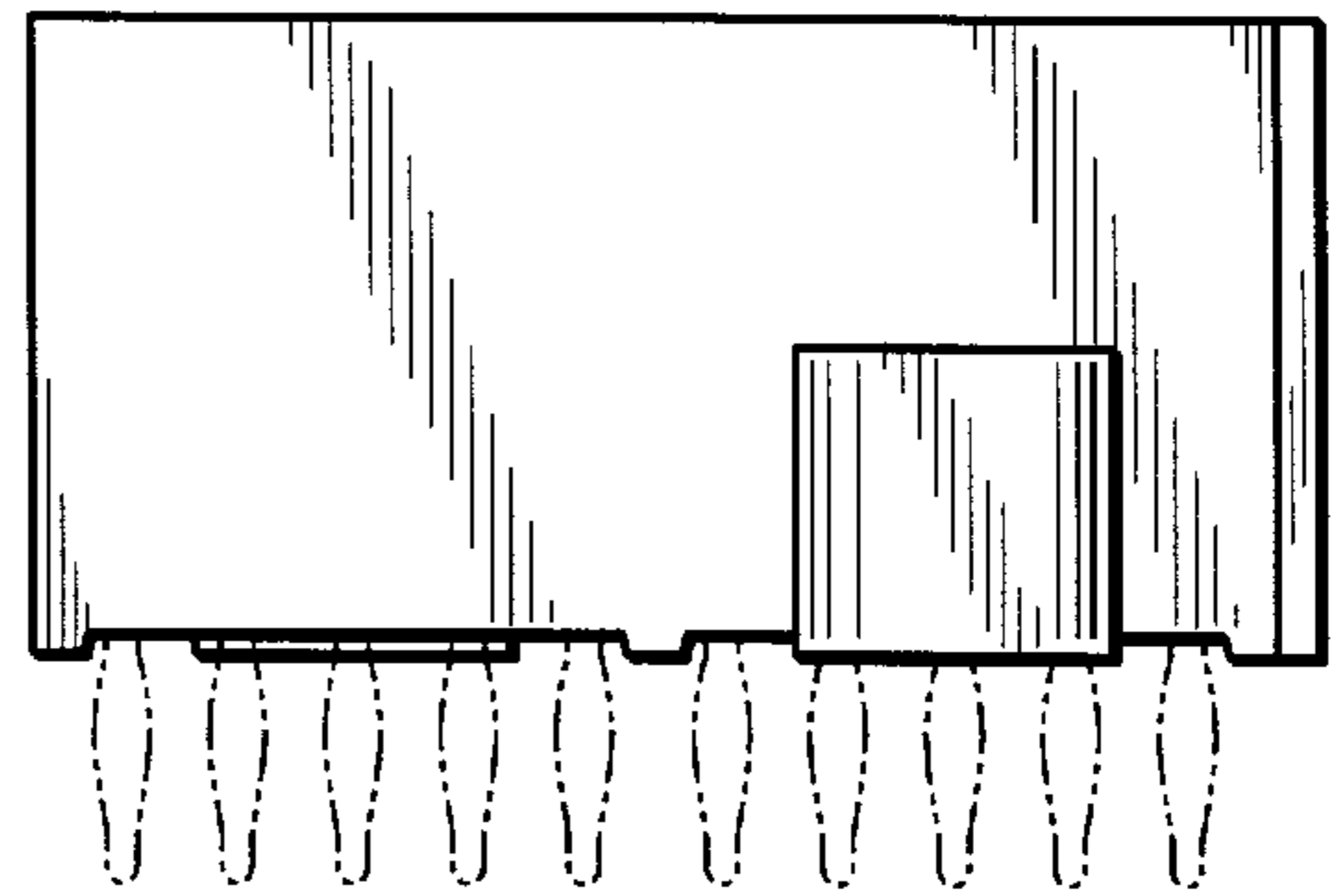


FIG._3

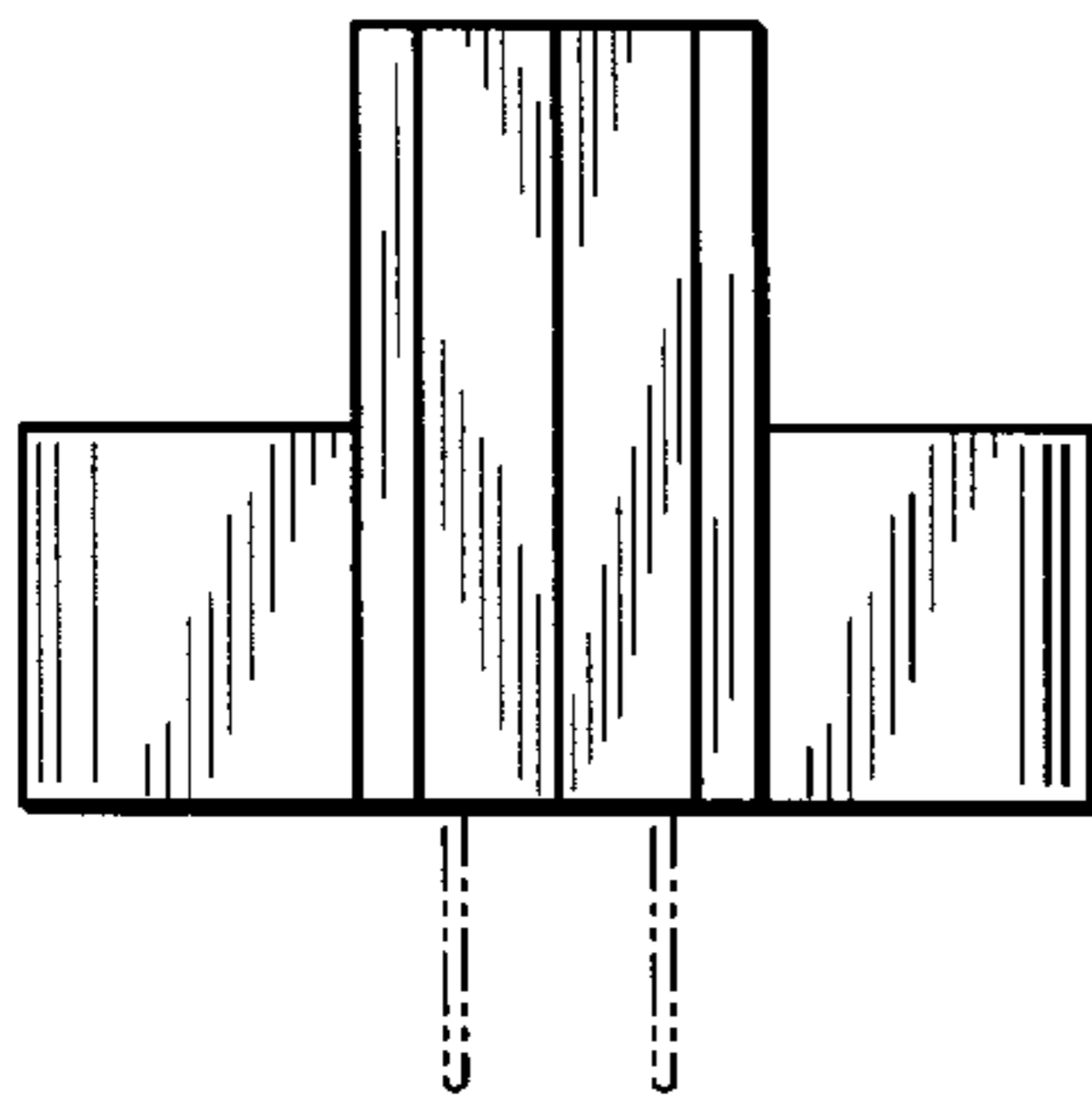


FIG._4

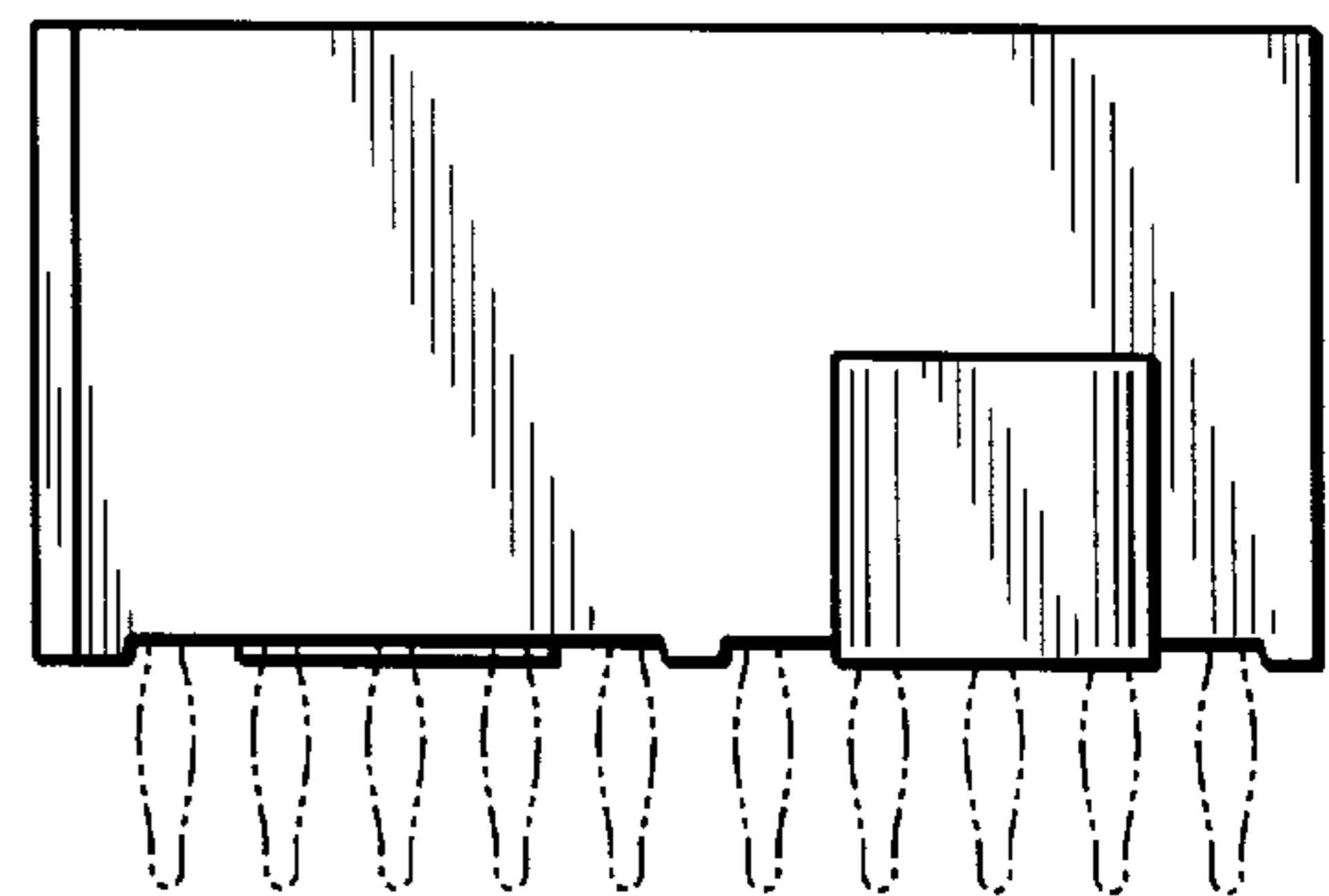


FIG._5

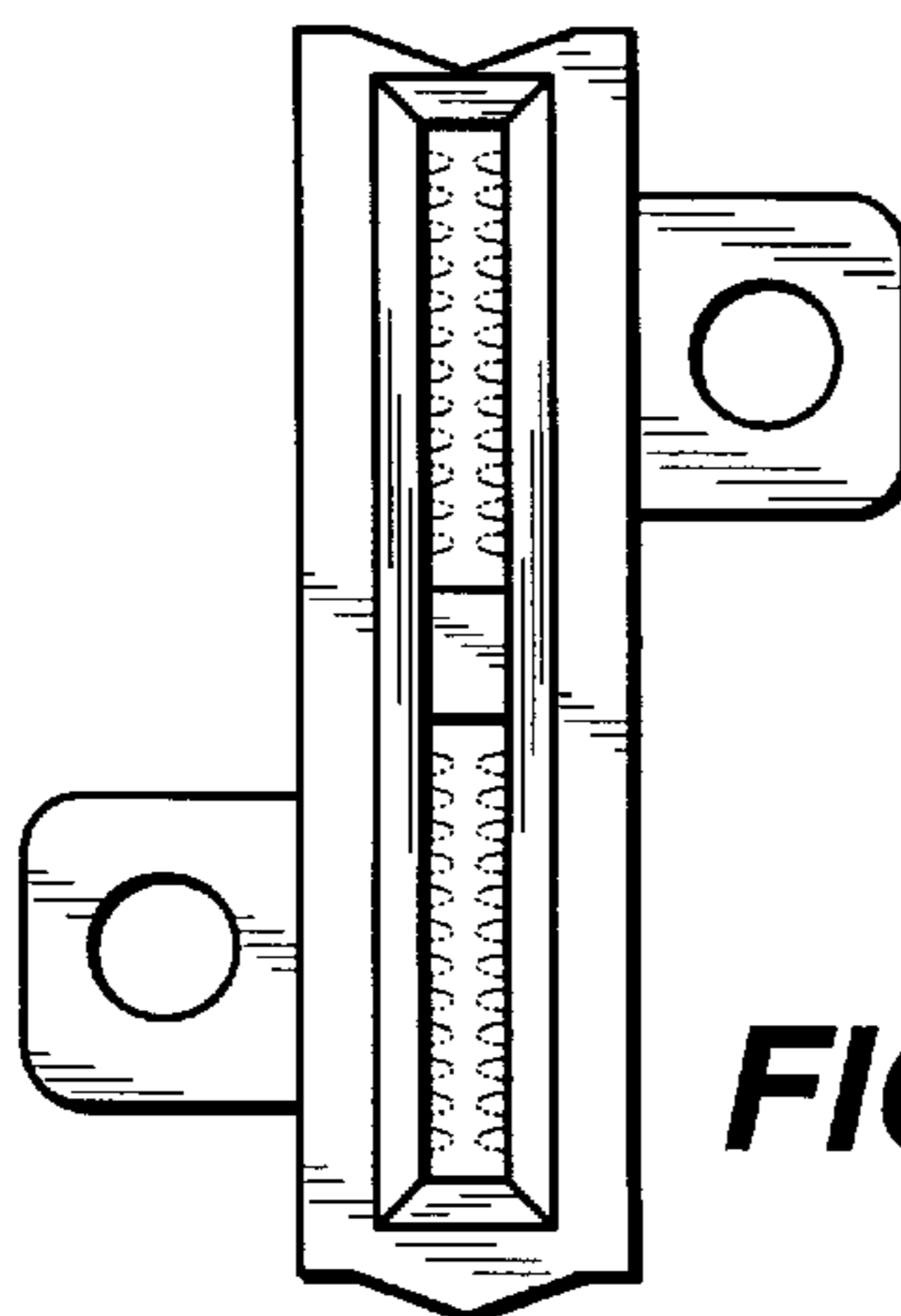


FIG._6

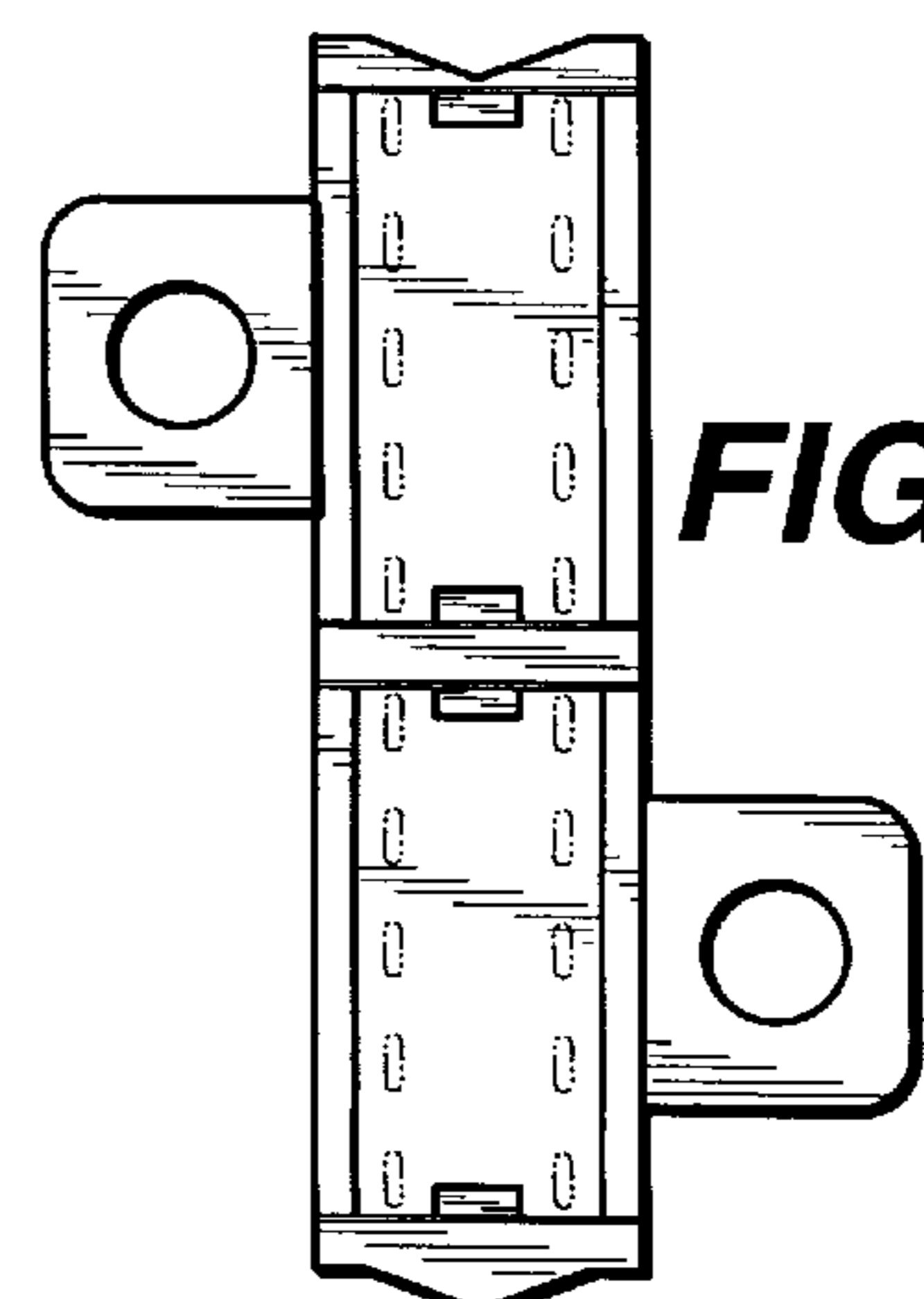


FIG._7

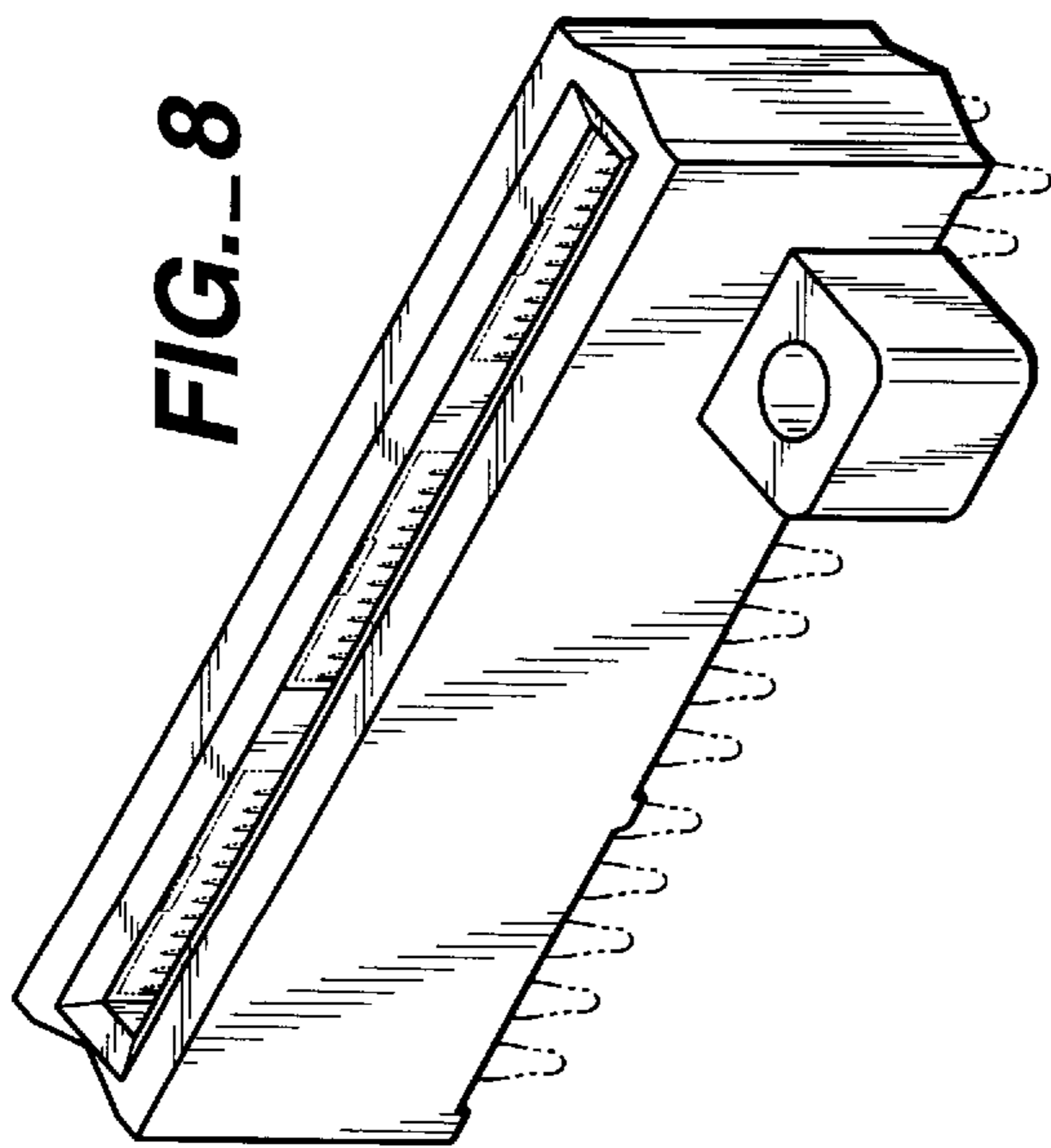
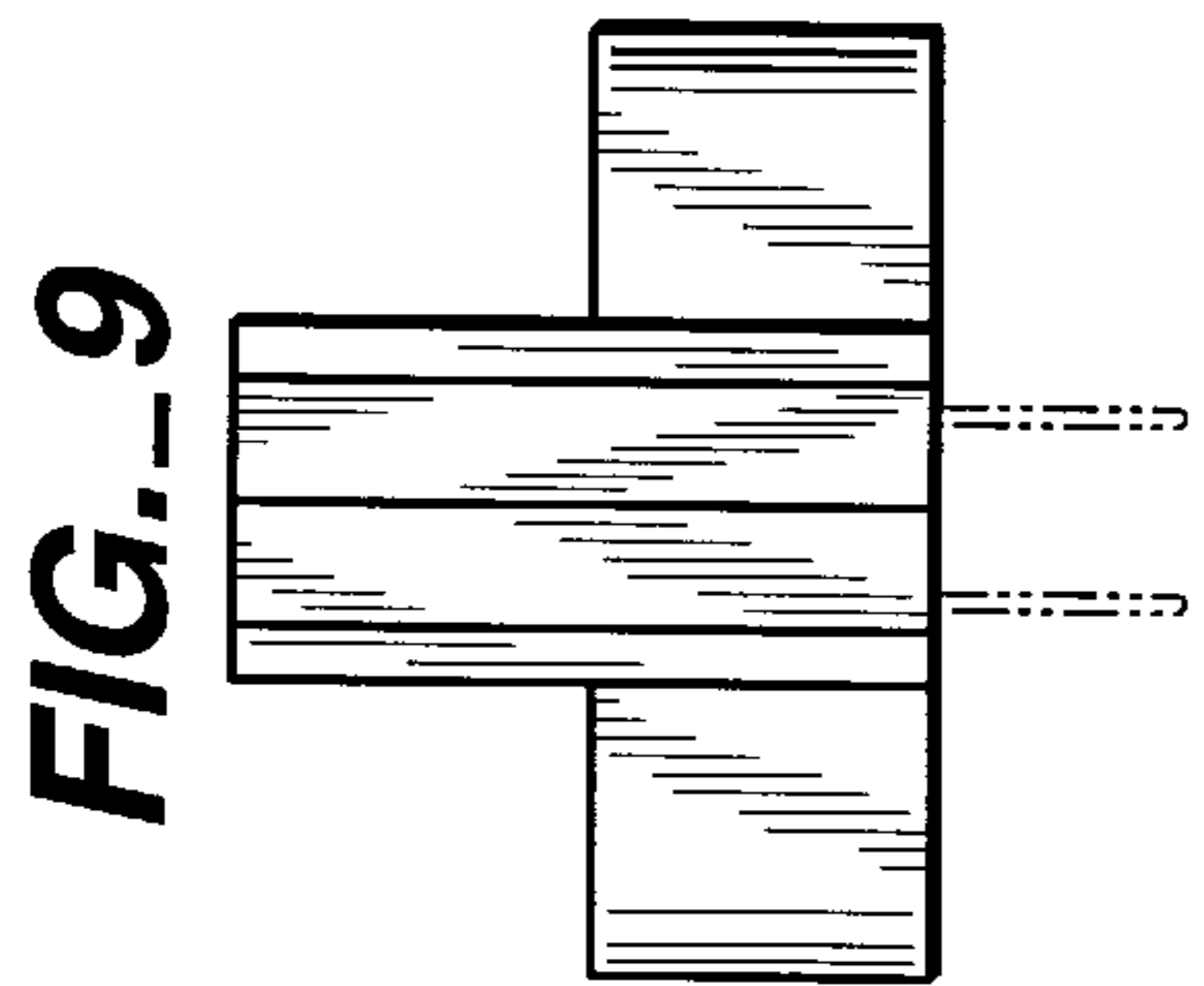
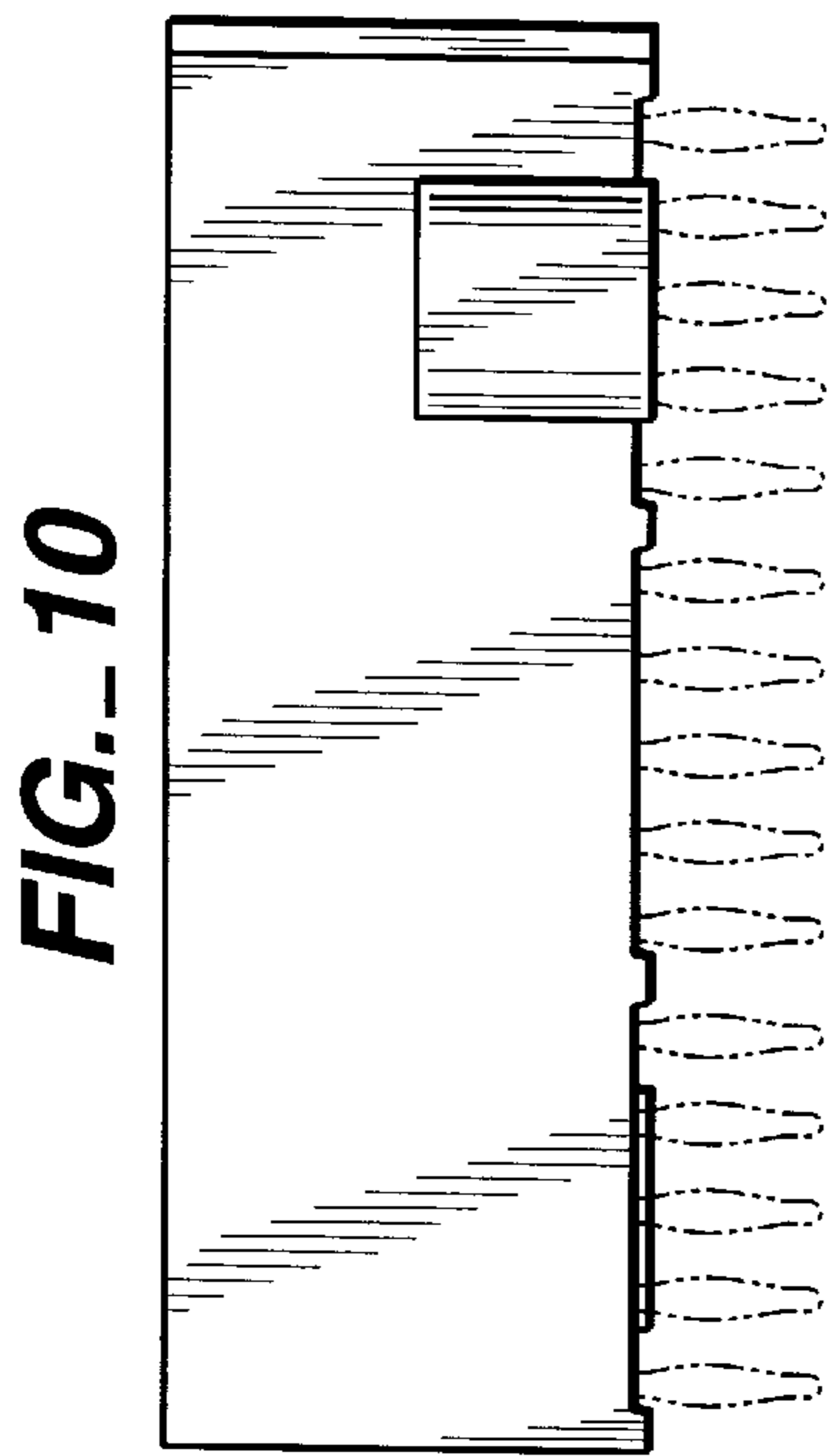


FIG. 13

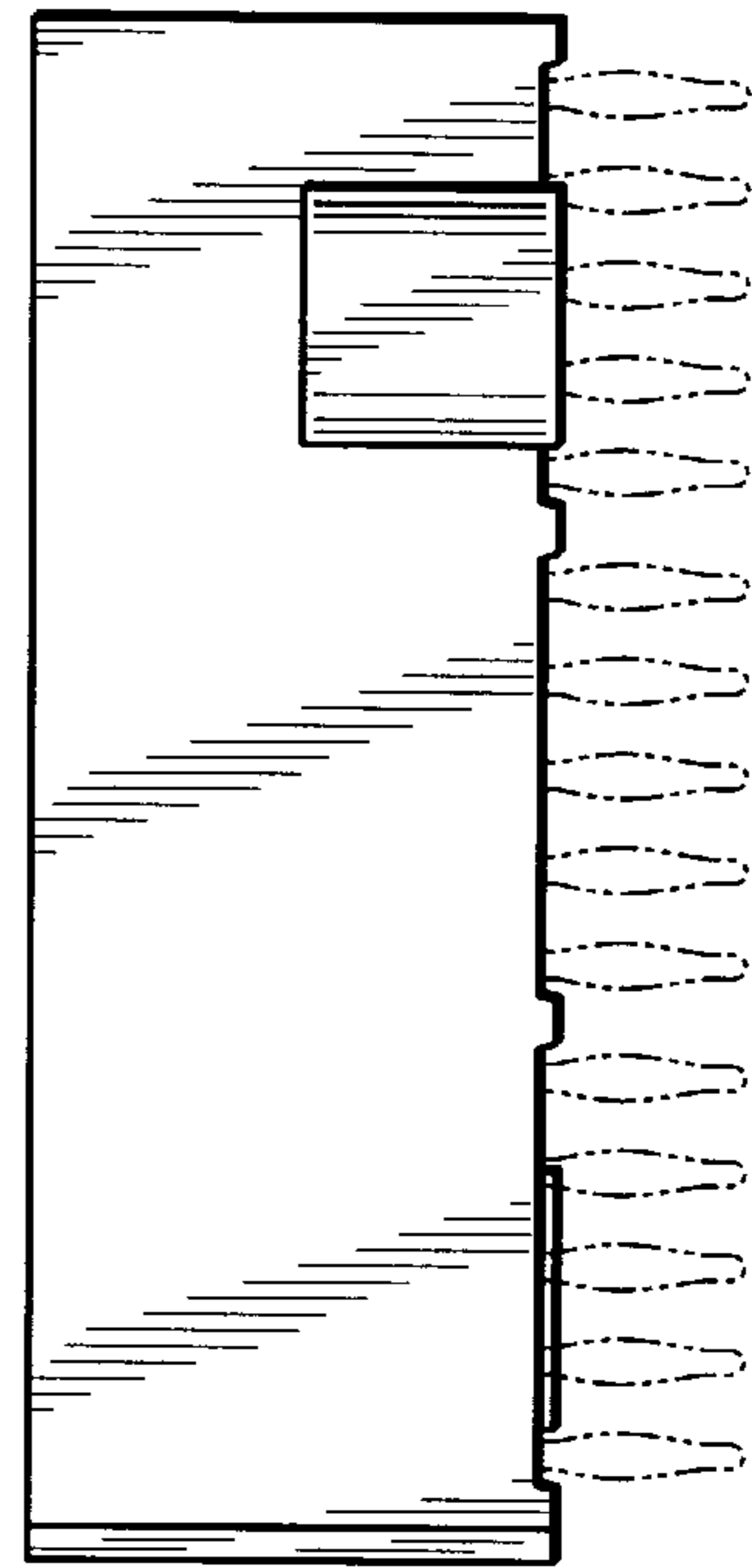
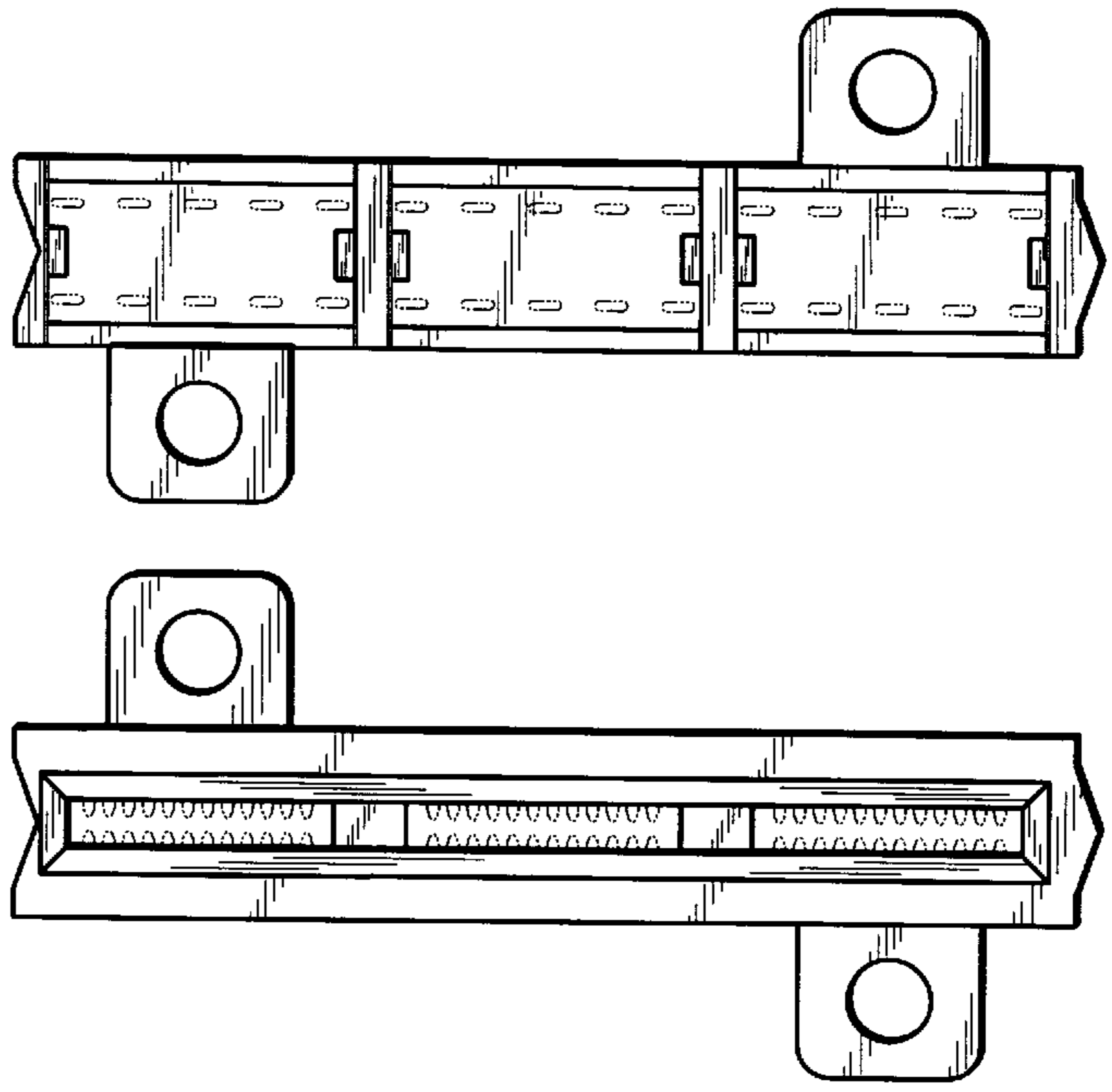


FIG. 12

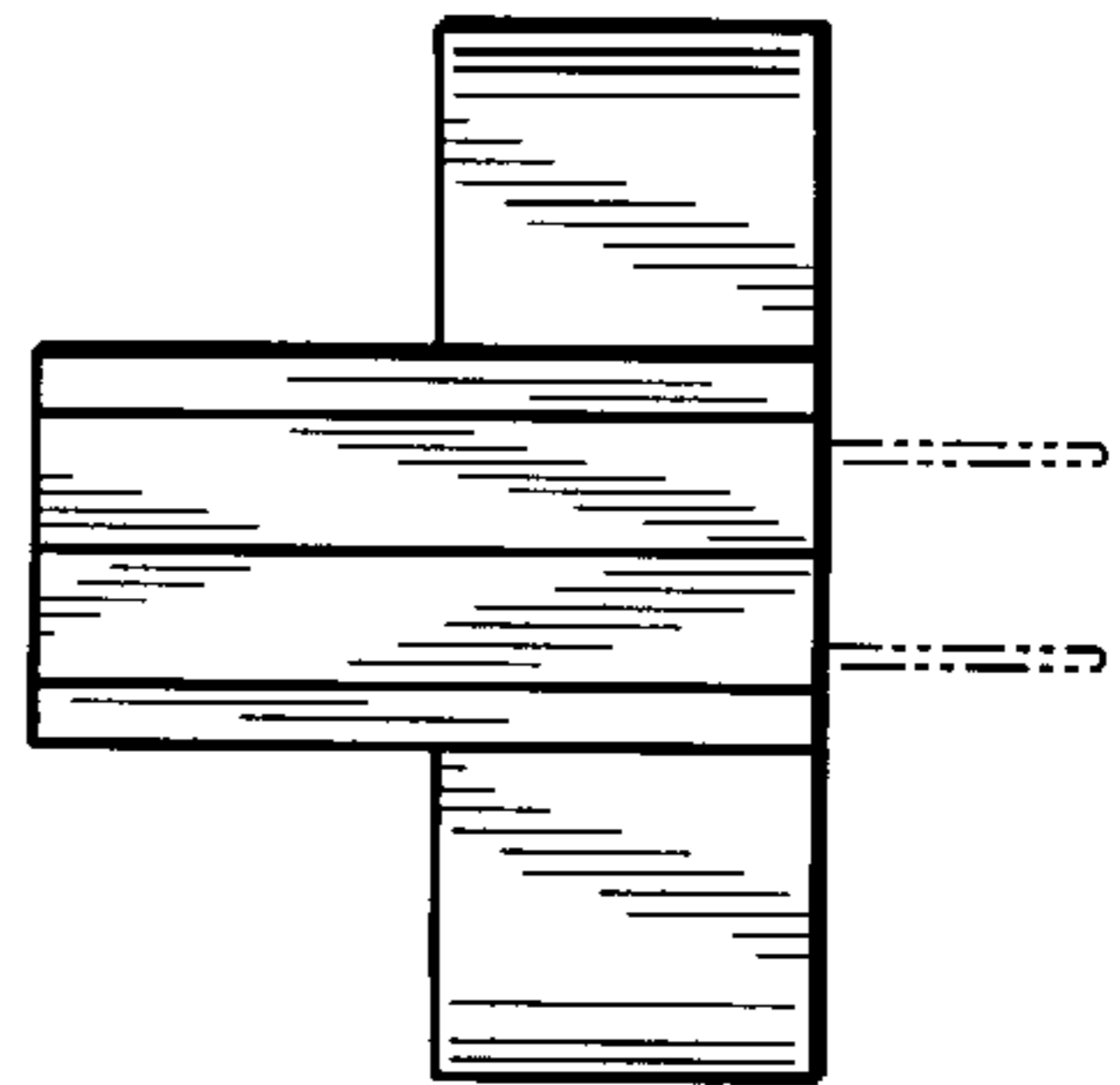


FIG. 11