



US00D410893S

United States Patent [19]

Chintala et al.

[11] Patent Number: **Des. 410,893**

[45] Date of Patent: **** Jun. 15, 1999**

[54] **BATTERY PACK FOR A PORTABLE TELEPHONE**

[75] Inventors: **Thomas J. Chintala**, San Diego; **Dawn E. Beattie**, Carlsbad; **Paul E. Jacobs**, La Jolla; **Gina M. Lombardi**; **John E. Maloney**, both of San Diego; **Stanley Scheufler**, Encinitas; **John J. Wendorff**, San Diego, all of Calif.; **Stephen G. Miggels**, Wyckoff; **David C. Stowers**, Nutley, both of N.J.

[73] Assignee: **QUALCOMM Incorporated**, San Diego, Calif.

[**] Term: **14 Years**

[21] Appl. No.: **29/084,942**

[22] Filed: **Mar. 12, 1998**

[51] **LOC (6) Cl.** **13-02**

[52] **U.S. Cl.** **D13/103**

[58] **Field of Search** D13/103; D14/138; 429/96-100, 163, 176

[56] **References Cited**

U.S. PATENT DOCUMENTS

D. 359,267	6/1995	Berry et al.	D13/103
D. 361,762	8/1995	Berry	D13/103
D. 367,640	3/1996	Nagele et al.	D13/103
D. 369,598	5/1996	Nagele et al.	D14/138

D. 374,424	10/1996	Nagele et al.	D13/103
D. 375,932	11/1996	Nagele et al.	D13/103
D. 380,728	7/1997	Richards et al.	D13/103
D. 383,433	9/1997	Richards et al.	D13/103
4,904,549	2/1990	Goodwin et al.	429/97
5,028,083	7/1991	Mischenko	292/175
5,242,767	9/1993	Roback et al.	429/97
5,308,716	5/1994	Shababy et al.	429/97
5,314,763	5/1994	Aksoy et al.	429/97
5,460,906	10/1995	Leon et al.	429/97
5,509,704	4/1996	Schneider et al.	292/163
5,535,437	7/1996	Karl et al.	455/90
5,604,050	2/1997	Brunette et al.	429/97

Primary Examiner—Joel Sincavage
Attorney, Agent, or Firm—Russell B. Miller; Roger W. Martin; Charles D. Brown

[57] **CLAIM**

We claim the ornamental design for a battery pack for a portable telephone, as shown.

DESCRIPTION

FIG. 1 is a perspective view of a battery pack for a portable telephone;
FIG. 2 is a front plan view of the battery pack;
FIG. 3 is a left side plan view of the battery pack;
FIG. 4 is a bottom plan view of the battery pack;
FIG. 5 is a right side plan view of the battery pack;
FIG. 6 is a back plan view of the battery pack; and,
FIG. 7 is a top plan view of the battery pack.

1 Claim, 2 Drawing Sheets

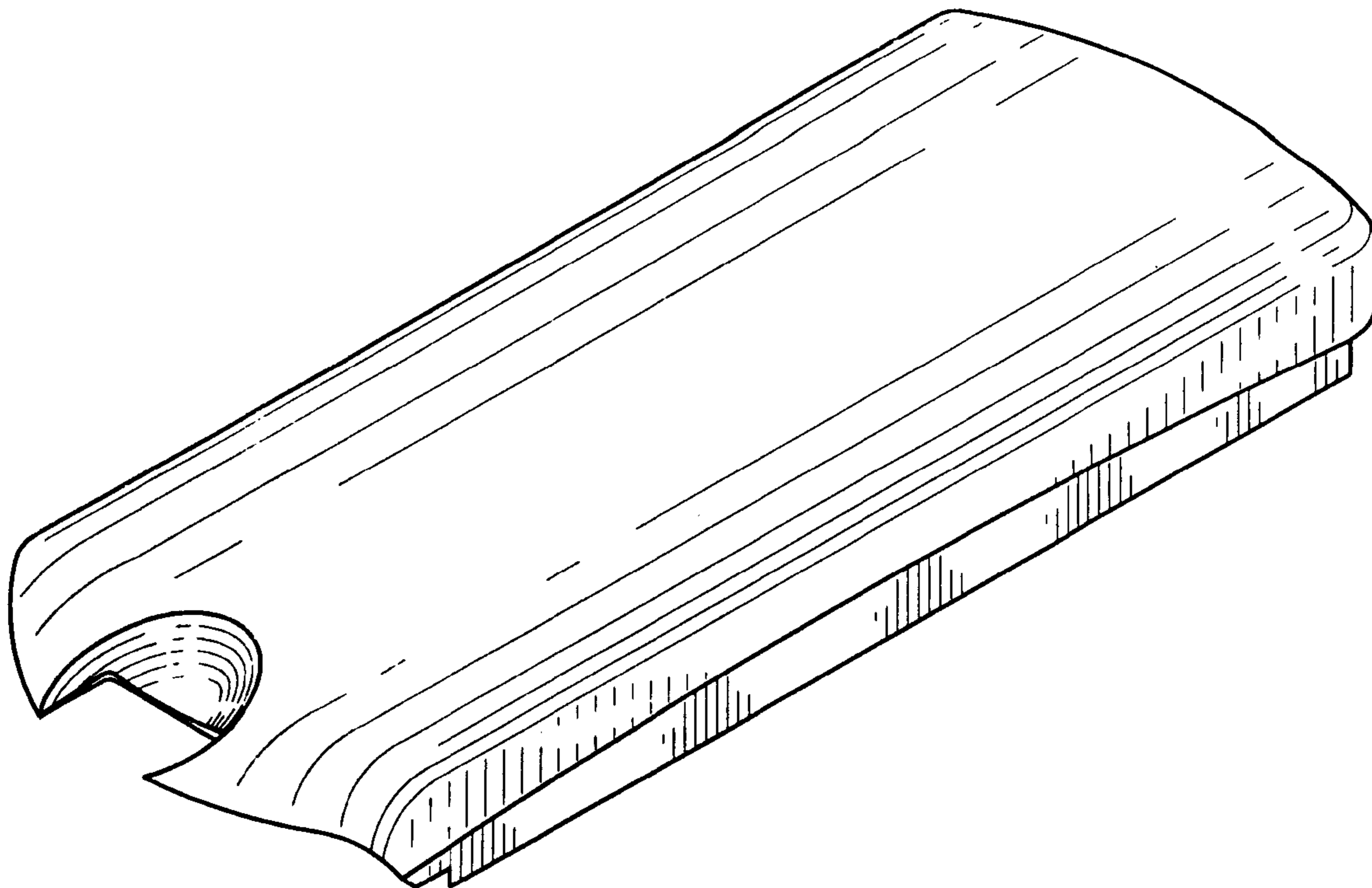


FIG. 1

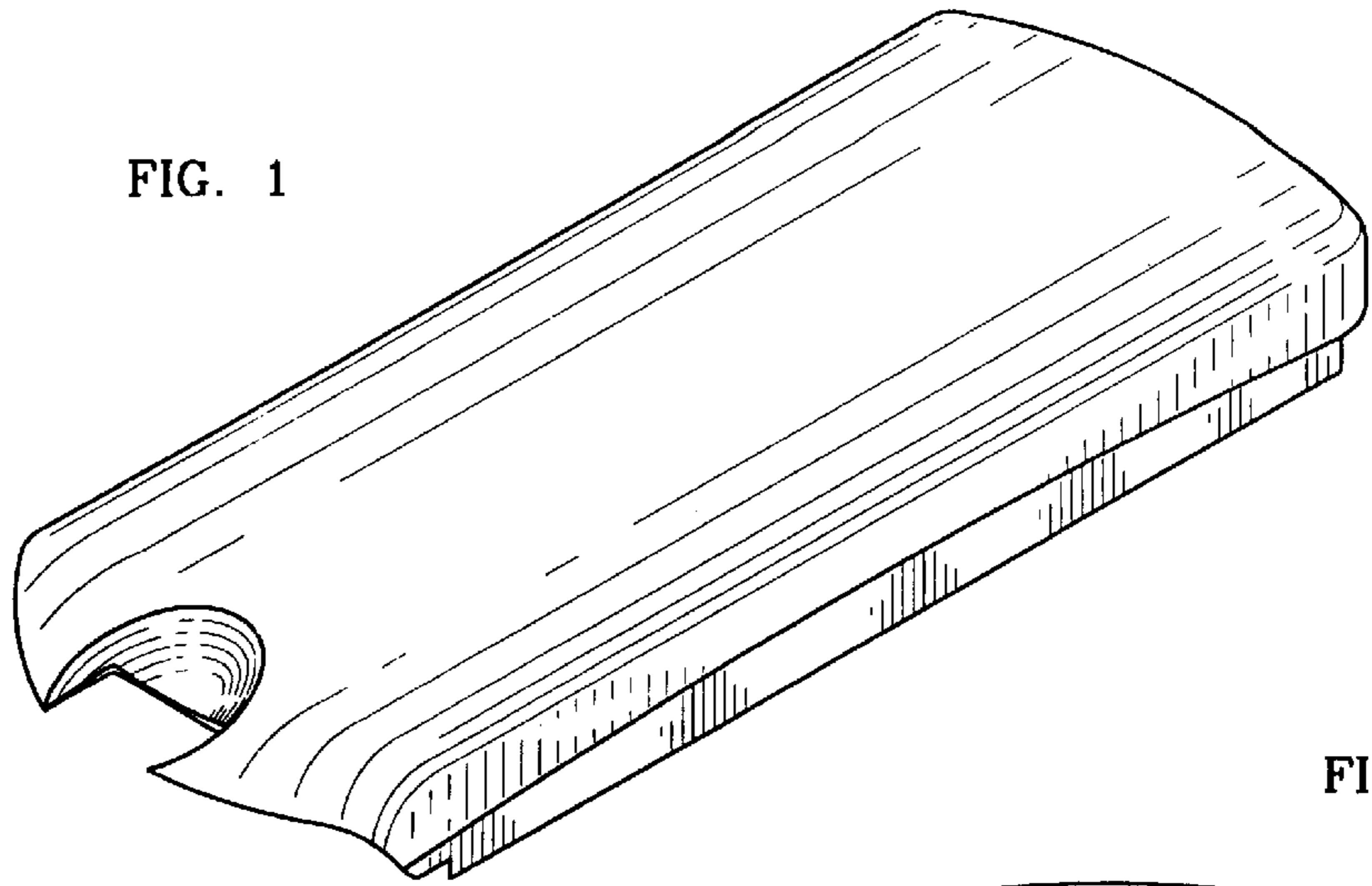


FIG. 4

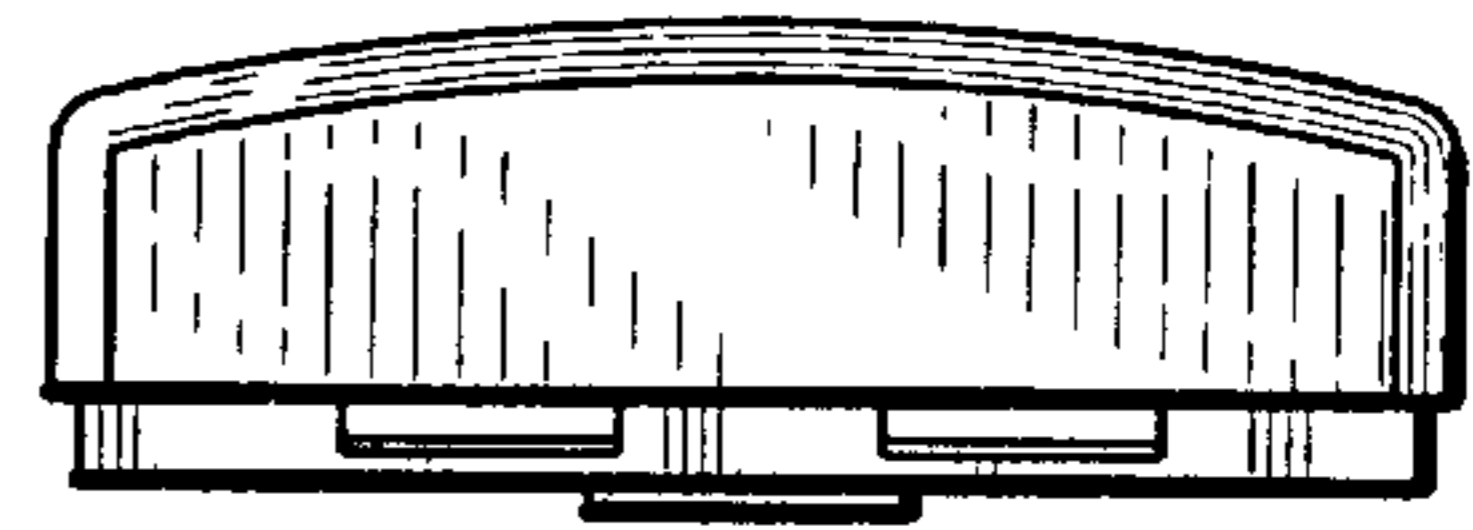


FIG. 2

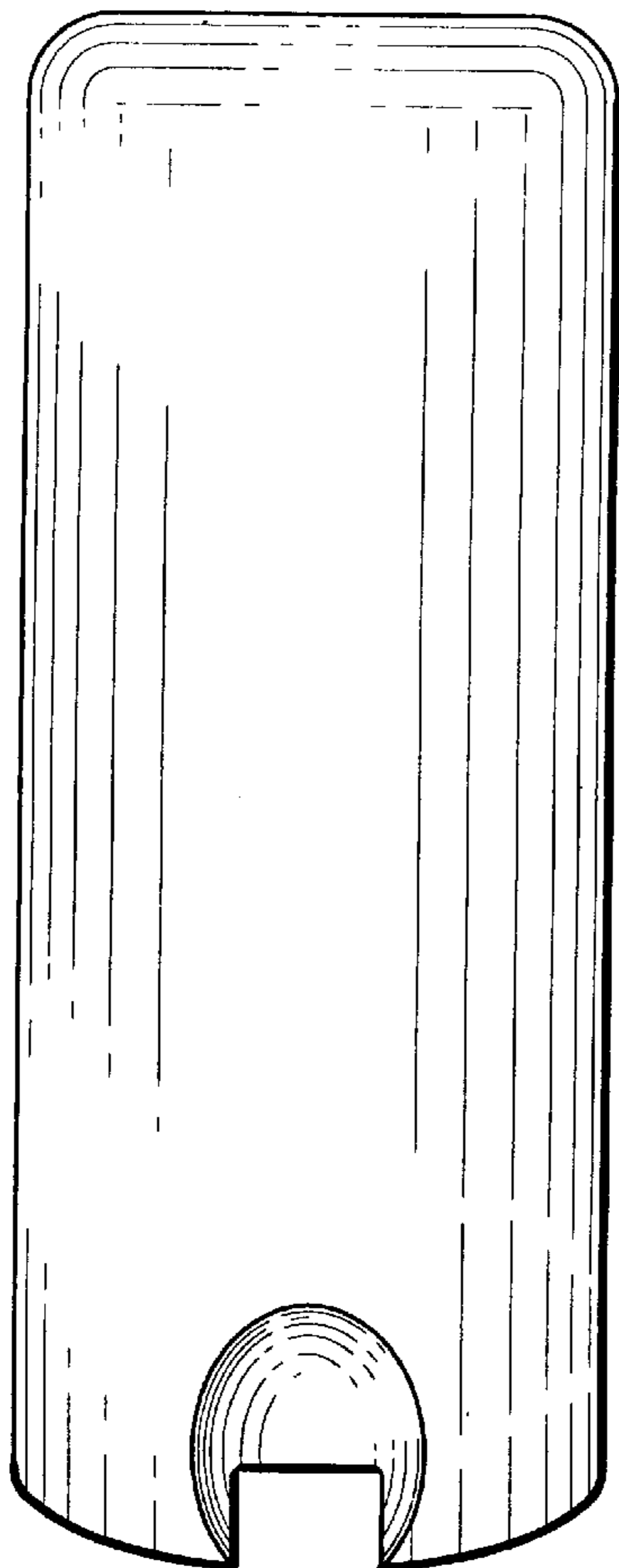


FIG. 3

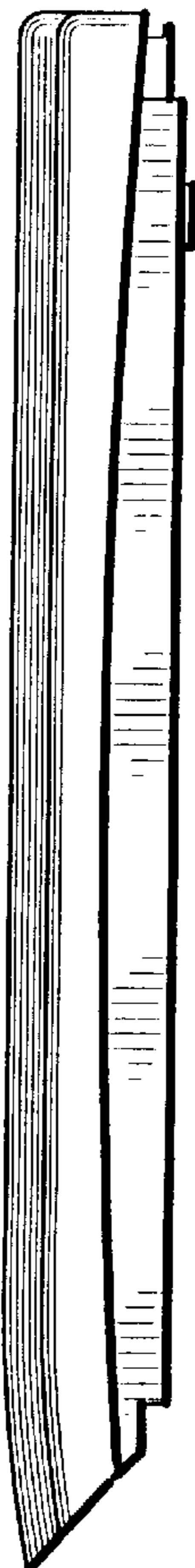


FIG. 6

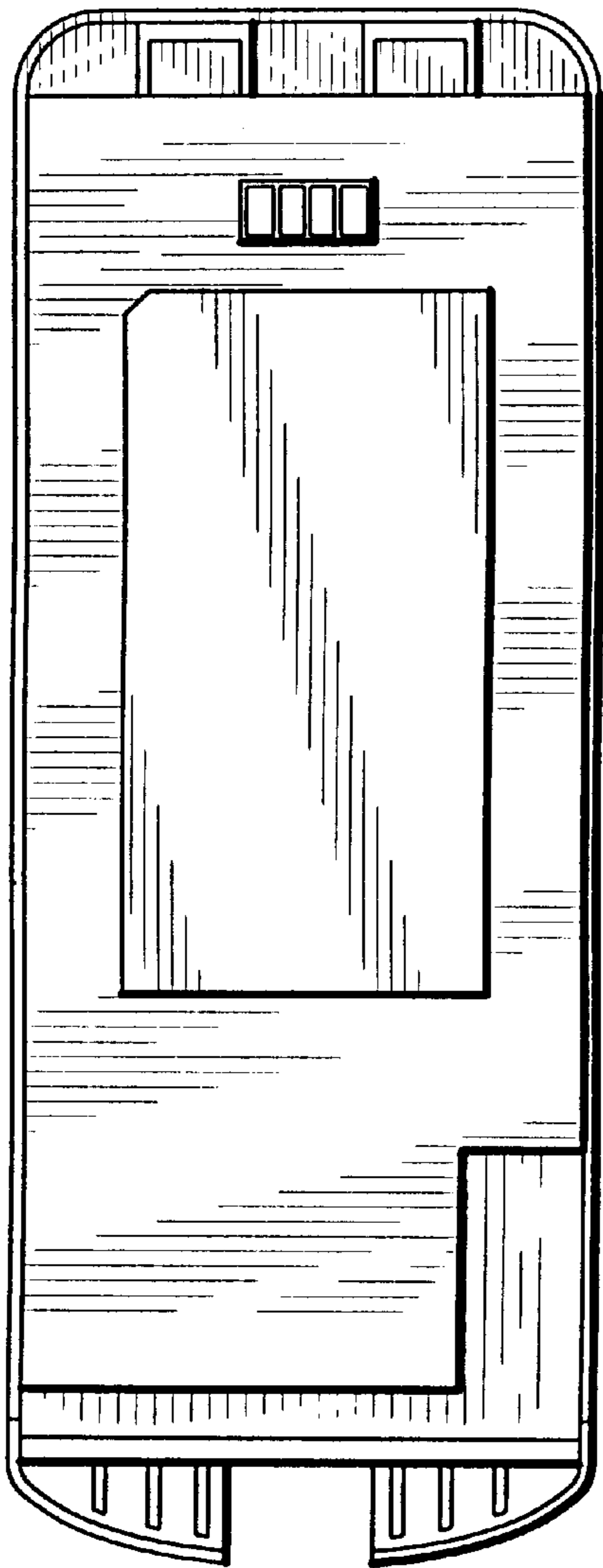


FIG. 5

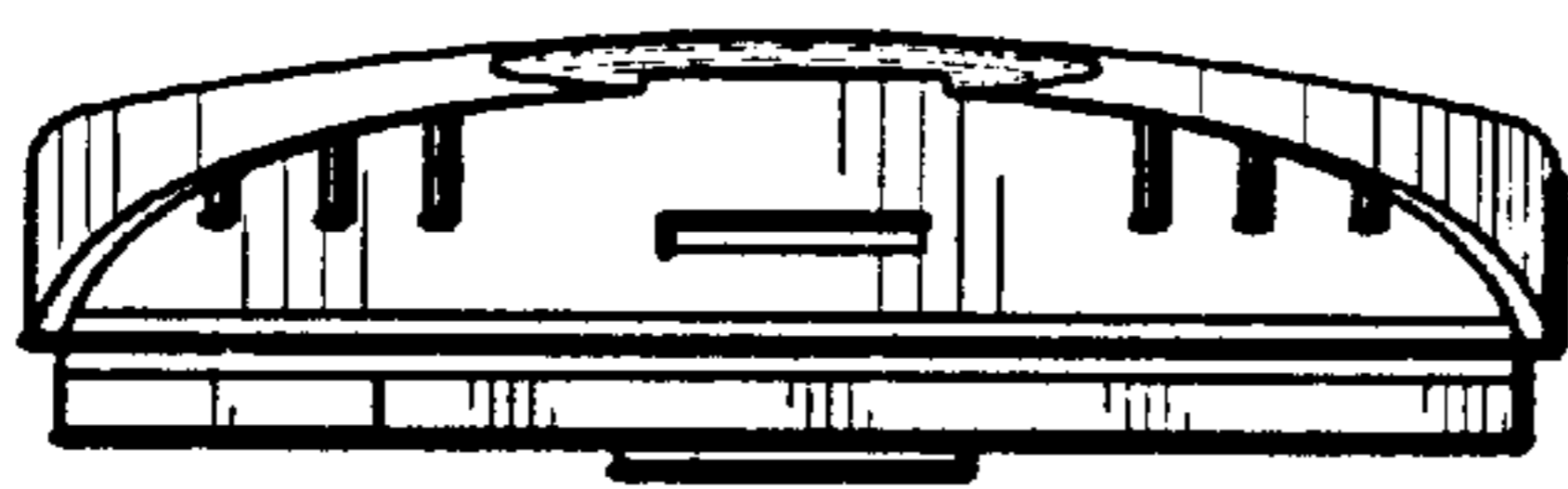
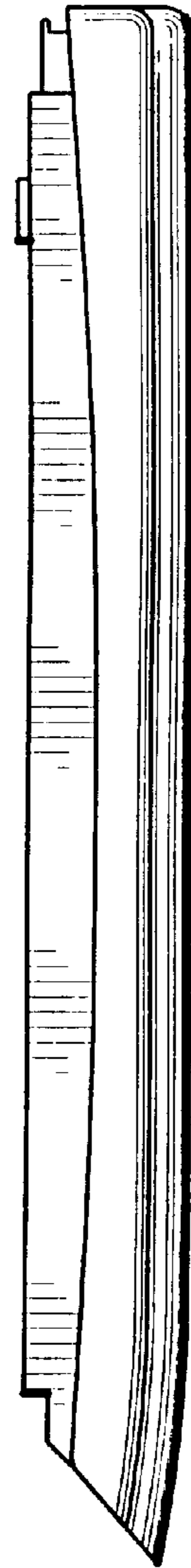


FIG. 7