



US00D410885S

United States Patent [19] Fridie

[11] Patent Number: **Des. 410,885**

[45] Date of Patent: **** Jun. 15, 1999**

[54] **VEHICLE WHEEL FRONT FACE**

D. 277,842 3/1985 Hedlund D12/211
D. 336,743 6/1993 Cattaneo D12/211
D. 383,429 9/1997 Muzzarelli et al. D12/211

[76] Inventor: **LyJohn Fridie**, 1146 W. Court,
Orangeburg, S.C. 29115

[**] Term: **14 Years**

Primary Examiner—Doris V. Coles
Assistant Examiner—Stacia Sinuik
Attorney, Agent, or Firm—Michael A Mann; Nexsen Pruet
Jacobs & Pollard LLP

[21] Appl. No.: **29/095,366**

[22] Filed: **Oct. 20, 1998**

[57] **CLAIM**

[51] **LOC (6) Cl.** **12-16**

[52] **U.S. Cl.** **D12/209**

[58] **Field of Search** D12/204-213;
301/64.1, 65, 37.1

The ornamental design for a vehicle wheel front face, as shown and described.

DESCRIPTION

[56] **References Cited**

U.S. PATENT DOCUMENTS

D. 206,873 2/1967 Reid D12/209
D. 261,638 11/1981 Blanchard et al. D12/209
D. 276,993 1/1985 Hedlund D12/211

FIG. 1 is a perspective view of a vehicle wheel front face, showing my new design; and, FIG. 2 is a front view thereof.

The broken line showing of environment is for illustrative purposes only and forms no part of the claimed design.

1 Claim, 1 Drawing Sheet

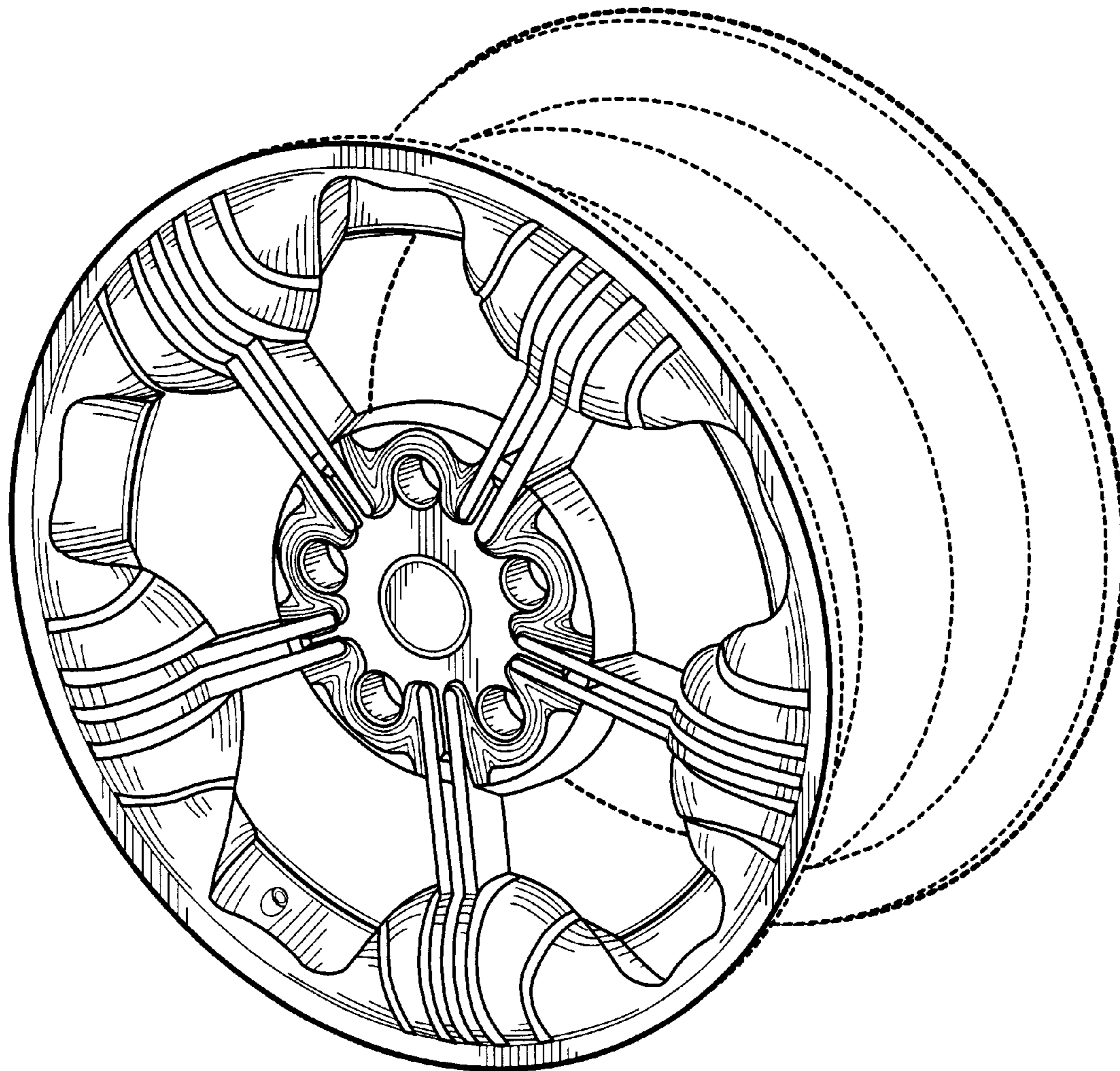


FIG. 1

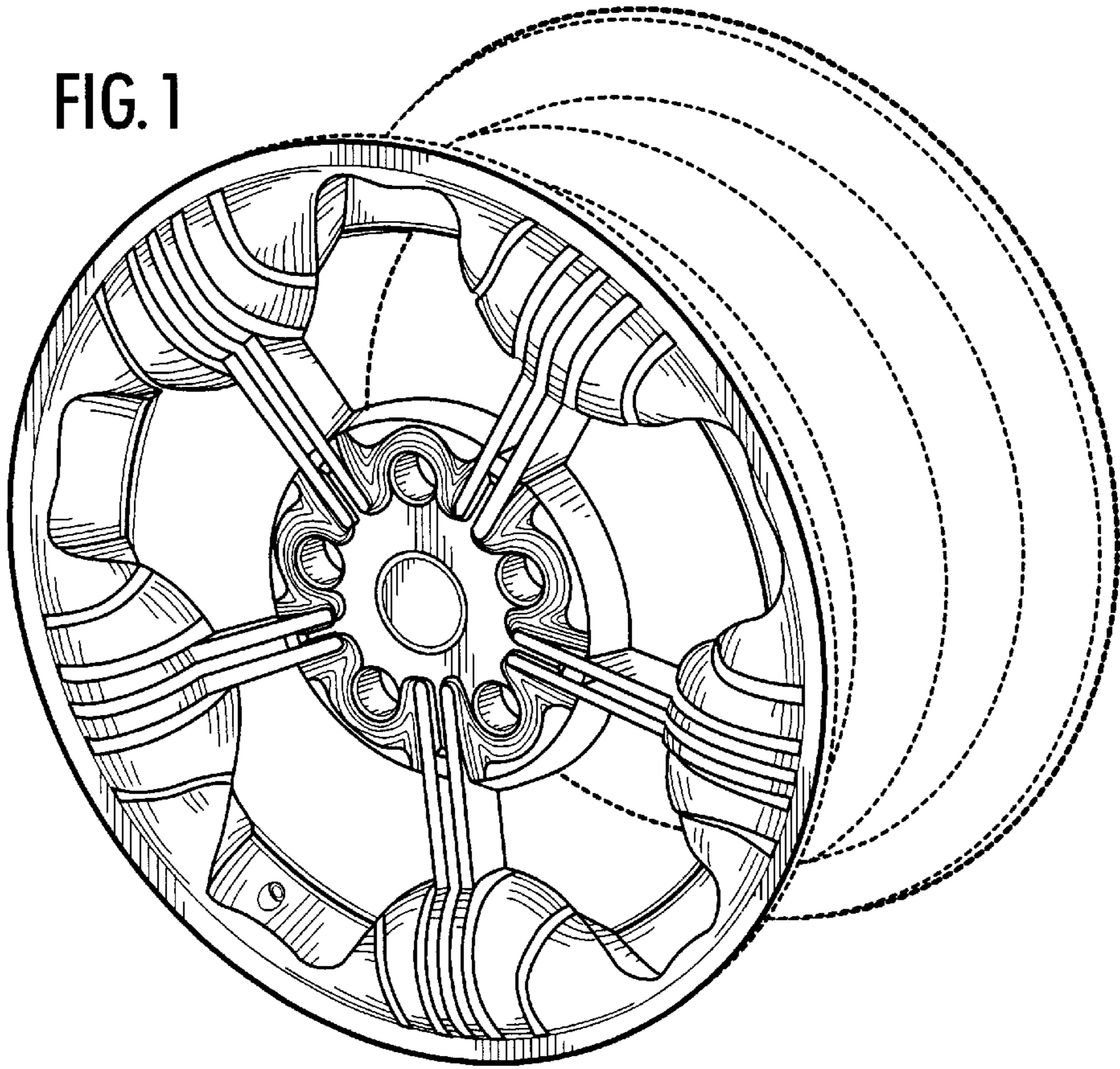


FIG. 2

