



US00D410882S

**United States Patent** [19]  
**Robertson, III**

[11] **Patent Number: Des. 410,882**  
[45] **Date of Patent: \*\* Jun. 15, 1999**

[54] **DISC BRAKE UNIT**

5,579,873 12/1996 Kobas et al. .... 188/73.35

[76] Inventor: **Charles J. Robertson, III**, 3606 Ivy  
La., Joplin, Mo. 64820

*Primary Examiner*—Melody N. Brown  
*Attorney, Agent, or Firm*—Jacobson, Price, Holman &  
Stern, PLLC

[\*\*] Term: **14 Years**

[57] **CLAIM**

[21] Appl. No.: **29/080,675**

The ornamental design for a disc brake unit, as shown and  
described.

[22] Filed: **Dec. 4, 1997**

[51] **LOC (6) Cl.** ..... **12-16**

[52] **U.S. Cl.** ..... **D12/180**

[58] **Field of Search** ..... D12/180; 188/71.1,  
188/73.3, 73.45, 73.34, 73.35, 72.7

**DESCRIPTION**

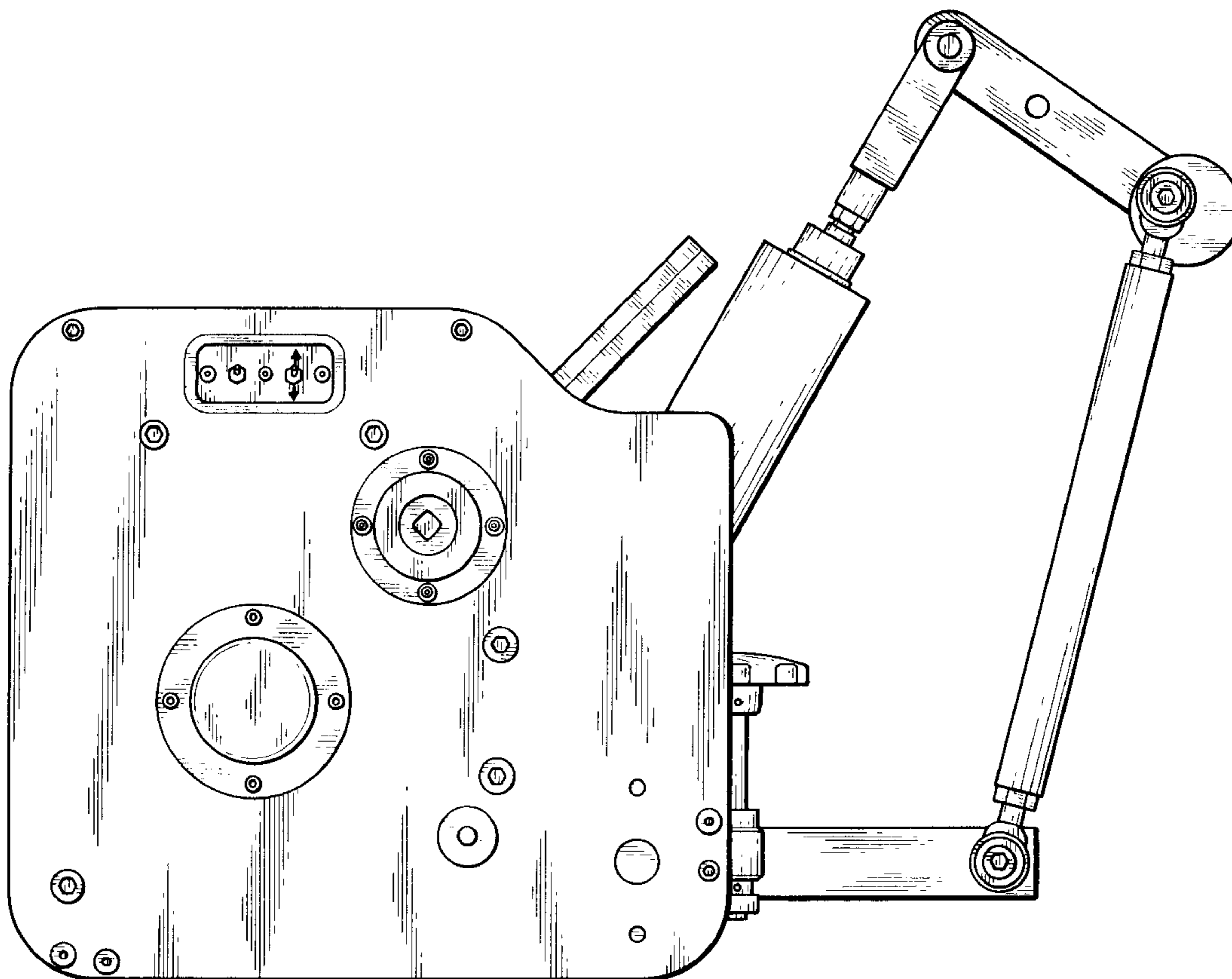
FIG. 1 is a front view showing my new design for a disc  
brake unit;  
FIG. 2 is a left side view thereof,  
FIG. 3 is a right side view thereof,  
FIG. 4 is a top view thereof,  
FIG. 5 is a bottom view thereof; and,  
FIG. 6 is a rear view thereof.

[56] **References Cited**

**U.S. PATENT DOCUMENTS**

D. 373,340	9/1996	Sands	.....	D12/180
D. 392,234	3/1998	Wallace	.....	D12/180
5,249,648	10/1993	Bejot et al.	.....	188/72.7

**1 Claim, 6 Drawing Sheets**



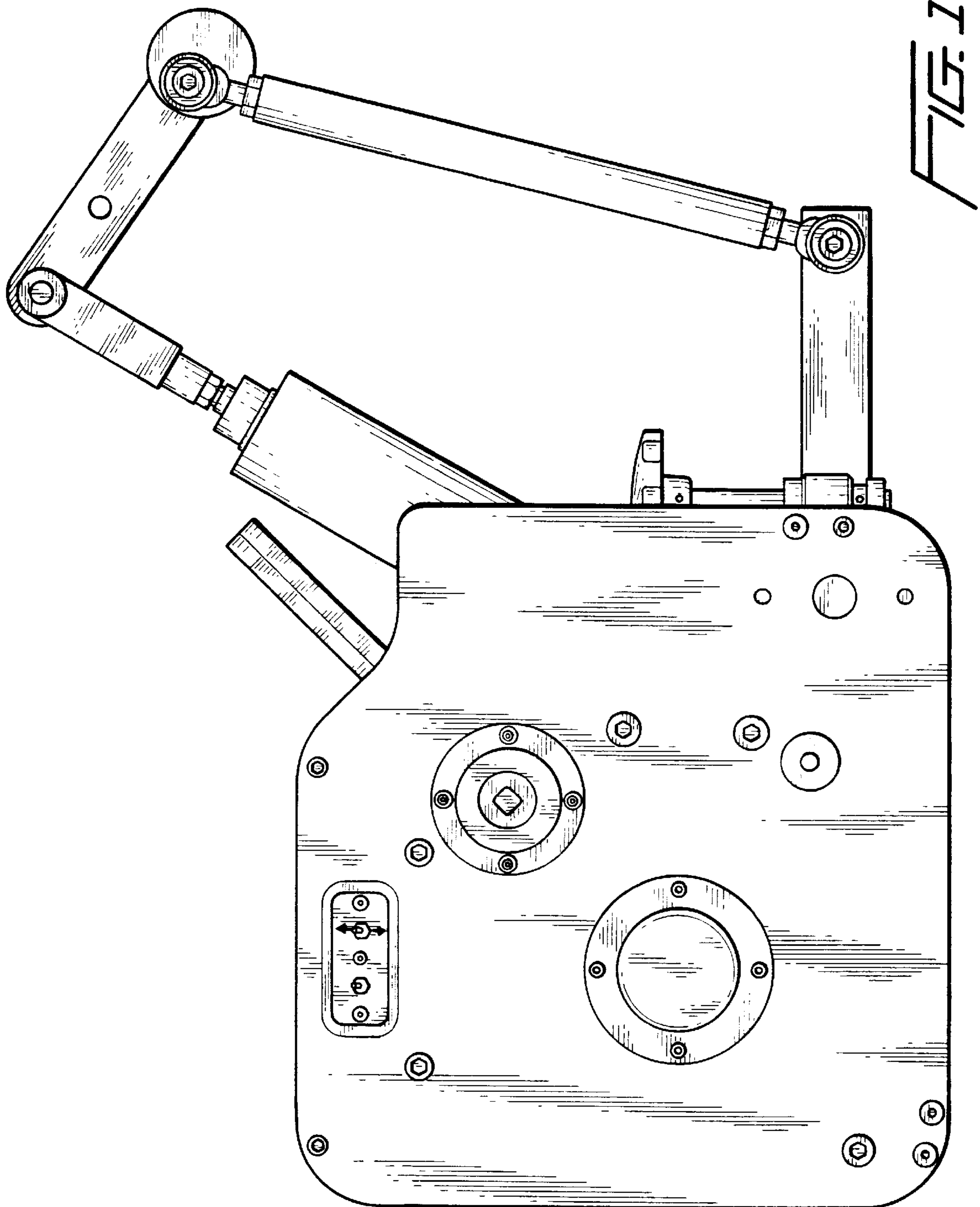


FIG. 2

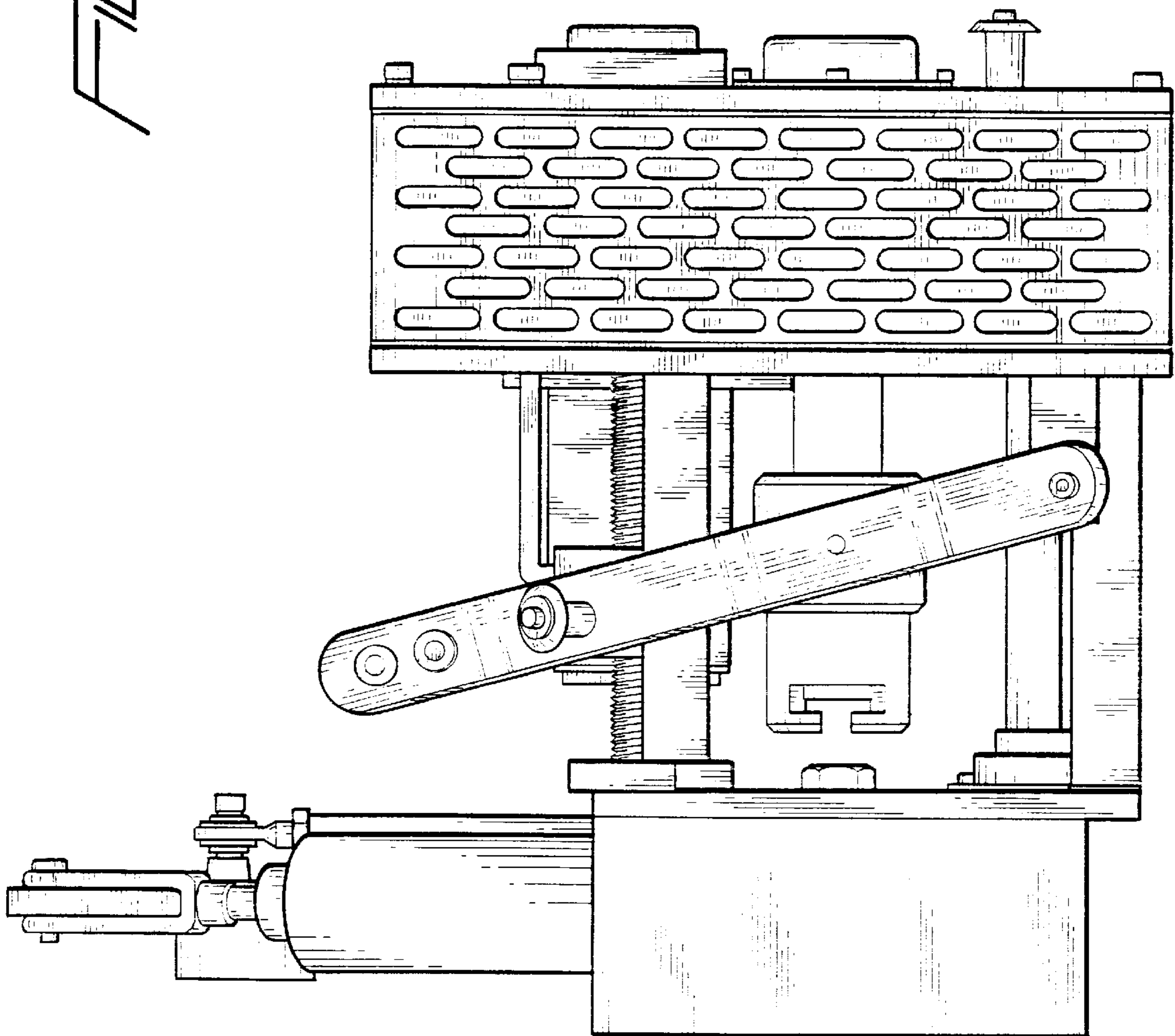
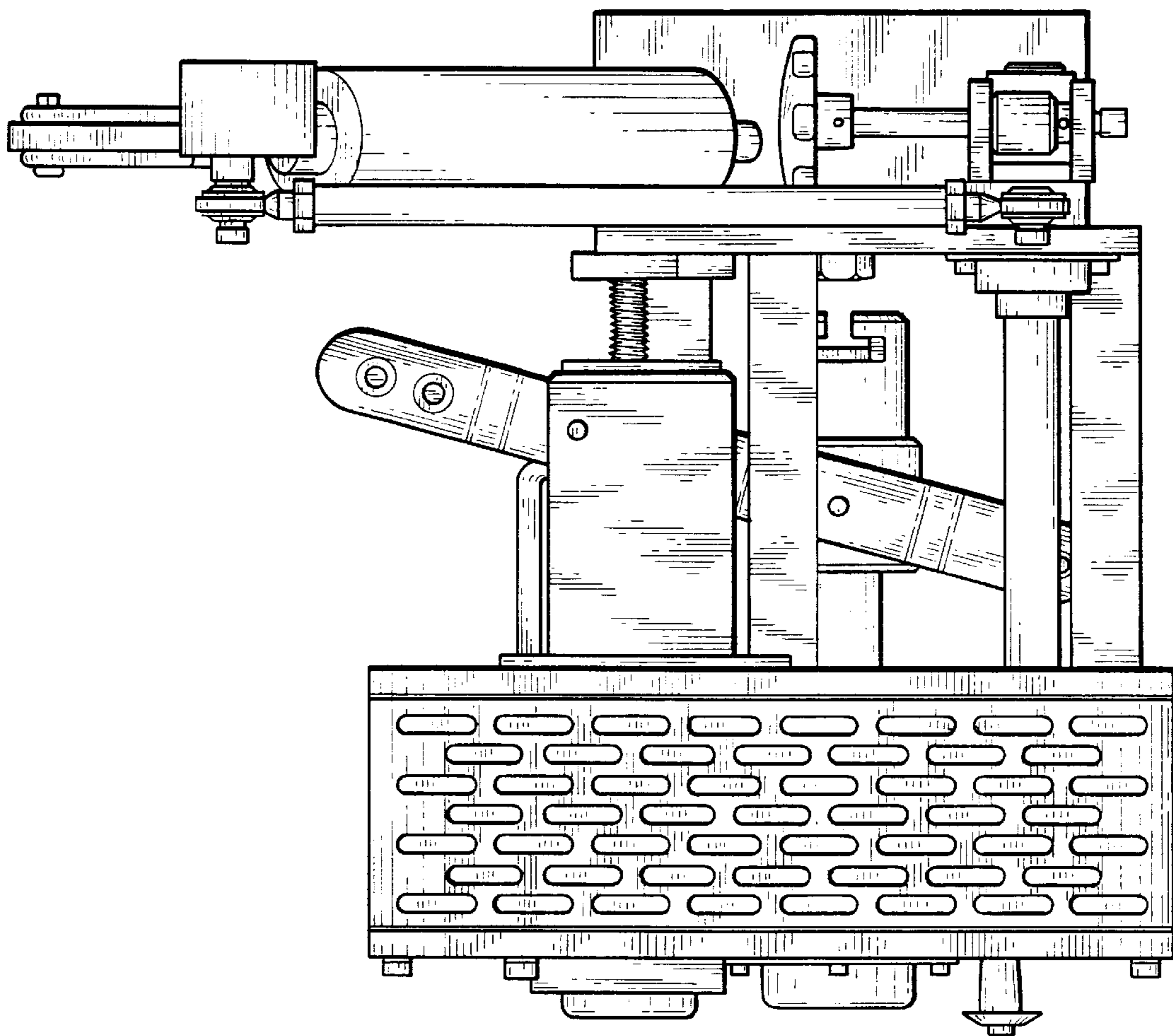


FIG. 3



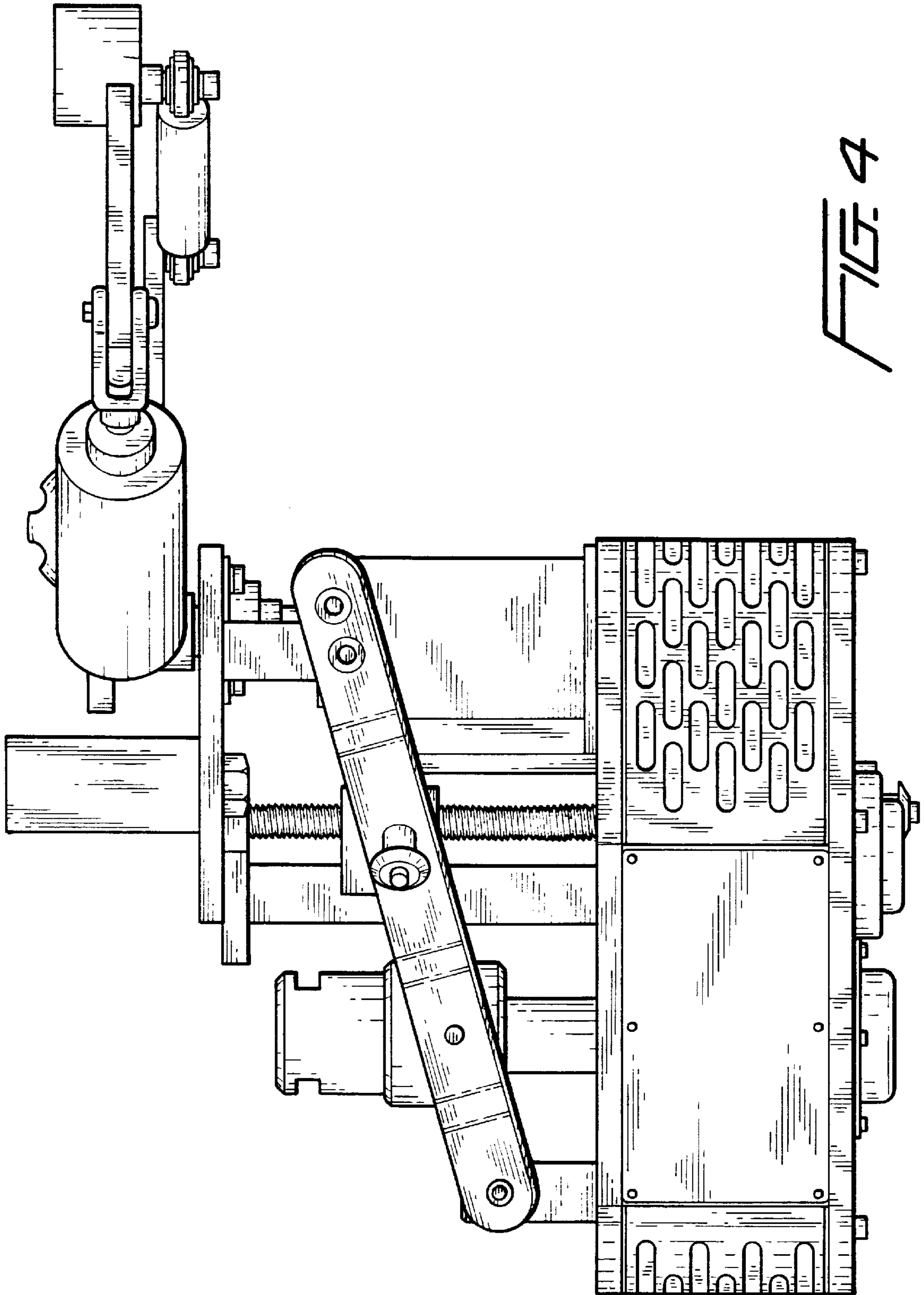


FIG. 4



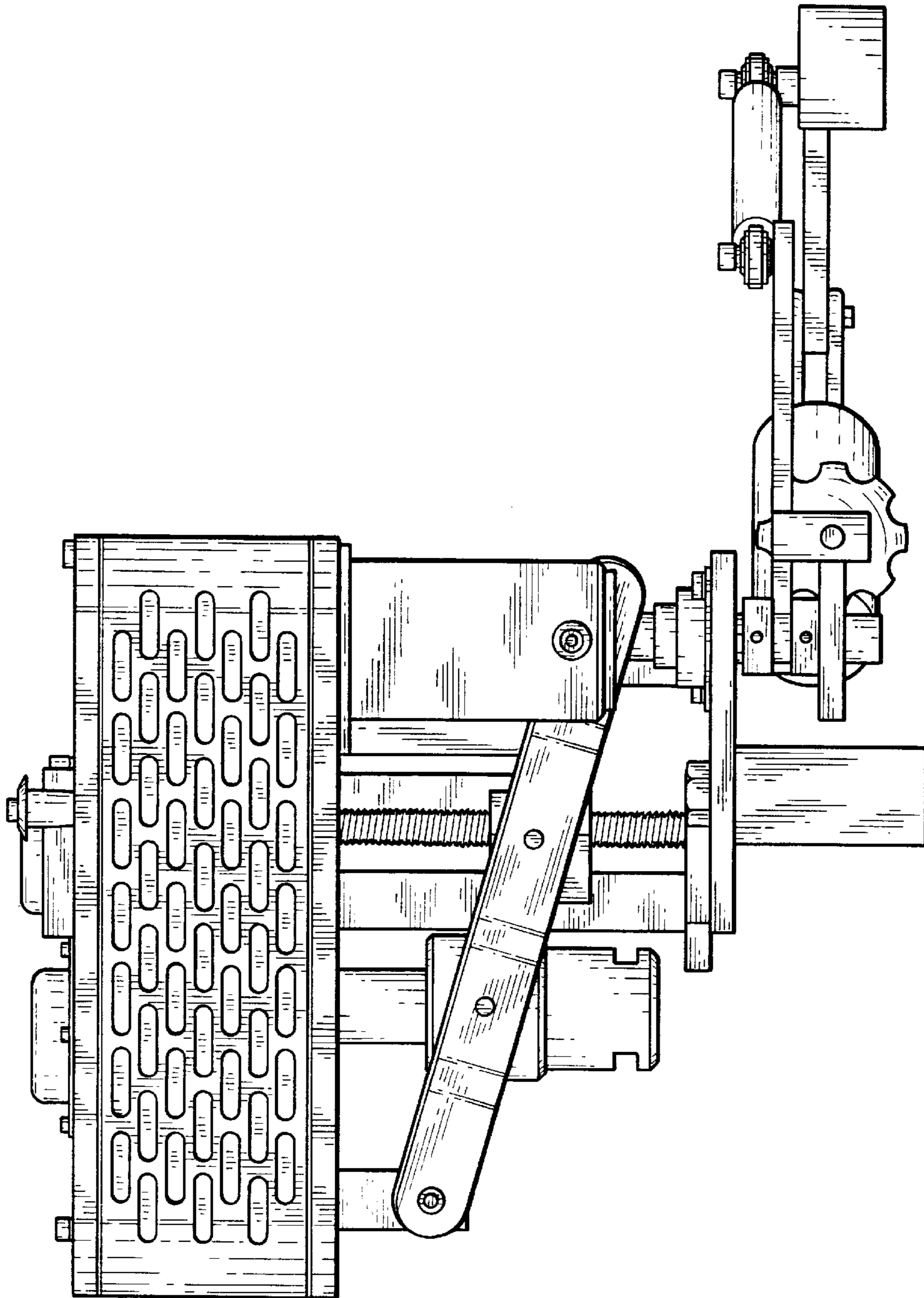


FIG. 5

FIG. 6

