



US00D410879S

United States Patent [19] Orth, Sr.

[11] **Patent Number: Des. 410,879**

[45] **Date of Patent: ** Jun. 15, 1999**

[54] **VEHICULAR GRILLE GUARD**

[75] Inventor: **Robert J. Orth, Sr.**, Richardson, Tex.

[73] Assignee: **Go Industries, Inc.**, Richardson, Tex.

[**] Term: **14 Years**

[21] Appl. No.: **29/091,368**

[22] Filed: **Jul. 28, 1998**

[51] **LOC (6) Cl.** **12-16**

[52] **U.S. Cl.** **D12/171**

[58] **Field of Search** D12/171; 293/102,
293/103, 115, 120, 121, 144

[56] **References Cited**

U.S. PATENT DOCUMENTS

D. 280,398	9/1985	Milton	D12/171
D. 300,420	3/1989	Trinnaman	D12/171
D. 333,457	2/1993	La Foe et al.	D12/171
D. 361,316	8/1995	Orth, Sr. et al.	D12/171
D. 383,719	9/1997	Thorne et al.	D12/171
D. 384,625	10/1997	Thorne et al.	D12/171
D. 388,042	12/1997	Thorne et al.	D12/171
D. 396,678	8/1998	Shklyover	D12/171
2,314,600	3/1943	Reyburn	293/55
3,431,005	3/1969	Priefert	293/65
3,438,667	4/1969	Davis	293/64
4,322,106	3/1982	Nespor	296/121
4,469,360	9/1984	Drury	293/102
4,671,552	6/1987	Anderson et al.	293/144
5,215,343	6/1993	Fortune	293/121
5,277,465	1/1994	Weir	293/142

OTHER PUBLICATIONS

“Products that Perform”, Master Guard, brochure, Nov. 29, 1977.

“What’s New For Your Car”, Popular Science, Feb., 1980, p. 121.

“Quality S Welded One-Piece Grill Guard & Brush Guard Combo”, Trucking Times, Nov./Dec. 1994, p. 74.

Quality S Hitch Manufacturing, brochure Feb. 1994.

Go Industries, Inc. 1994–1995 Catalog, pp. 4, 5.

Go Industries, Inc. 1997 Catalog, pp. 4, 5, 6.

Go Industries, Inc. brochure T. C. Grille Guards, ©1997 Go Industries, Inc.

“Accessories for your pickup”, Luverne Truck Equipment Inc., date unknown.

“Ram Off Road Accessories”, Longtek Engineering, a division of Ram Offroad Accessories, Inc., brochure, date unknown.

“Ram Off Road Accessories”, brochure, date unknown.

Smittybilt, Inc., brochure, date unknown.

“Truck & SUV Euroguards”, Steel Horse Automotive, brochure, date unknown.

“Westin Classic” brochure, ©1998, Wedgestone Automotive Corp.

“Go Rhino!” brochure, Go Rhino! Products, ©1997.

Brochure: Chevrolet/GMC, Dodge, p. 4, ©1996, Manik Motors, Inc.

Brochure, p. 19, ©1997, Dee Zee, Inc.

“Grill Guards”, Wildcat Flash distributed by Quality S, date unknown, p. 52.

Primary Examiner—Melody N. Brown

Attorney, Agent, or Firm—Akin, Gump, Strauss, Hauer & Feld, L.L.P.

[57] **CLAIM**

The ornamental design for a vehicular grille guard, as shown and described.

DESCRIPTION

FIG. 1 is a perspective view of the vehicular grille guard of my new design;

FIG. 2 is a right side elevation of the vehicular grille guard shown in FIG. 1;

FIG. 3 is a left side elevation of the vehicular grille guard shown in FIG. 1;

FIG. 4 is a front elevation of the vehicular grille guard shown in FIG. 1;

FIG. 5 is a rear elevation of the vehicular grille guard shown in FIG. 1;

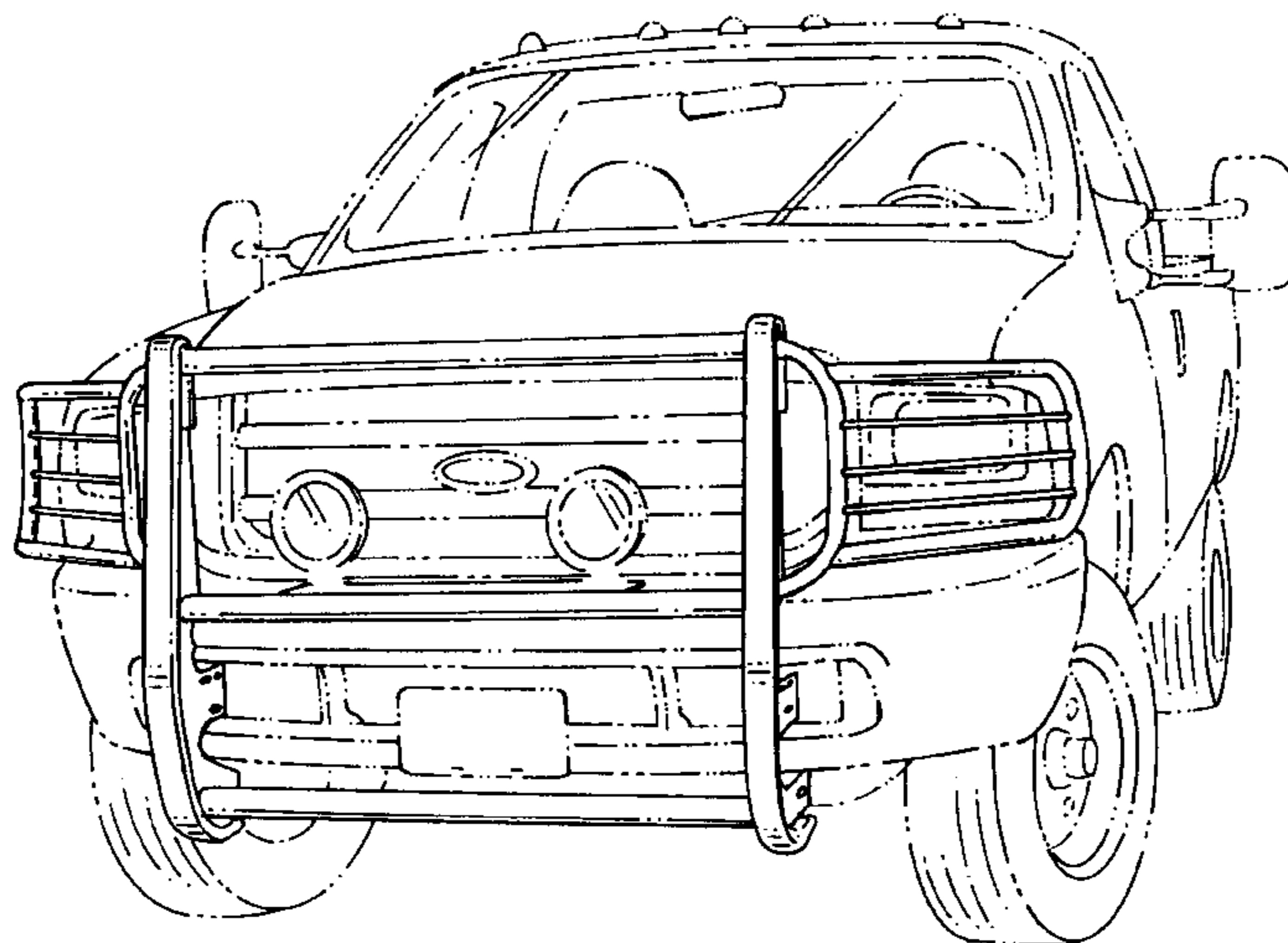
FIG. 6 is a bottom plan view of the vehicular grille guard shown in FIG. 1;

FIG. 7 is a top plan view of the vehicular grille guard shown in FIG. 1; and,

FIG. 8 is a perspective view of the vehicular grille guard of my invention shown mounted on the front of a motor vehicle.

The motor vehicle shown in broken lines is for illustrative purposes only and form no part of the claimed design.

1 Claim, 5 Drawing Sheets



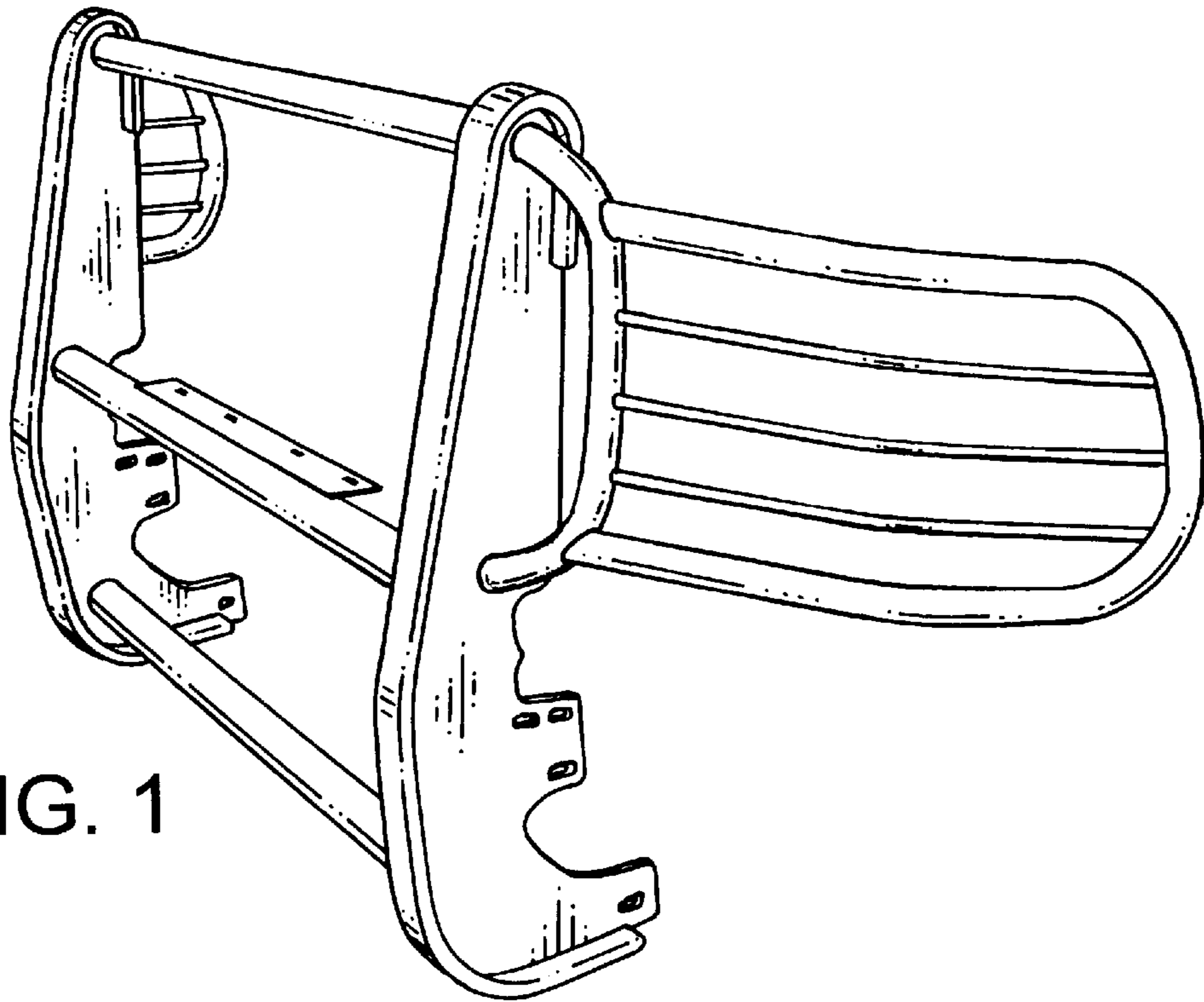


FIG. 1

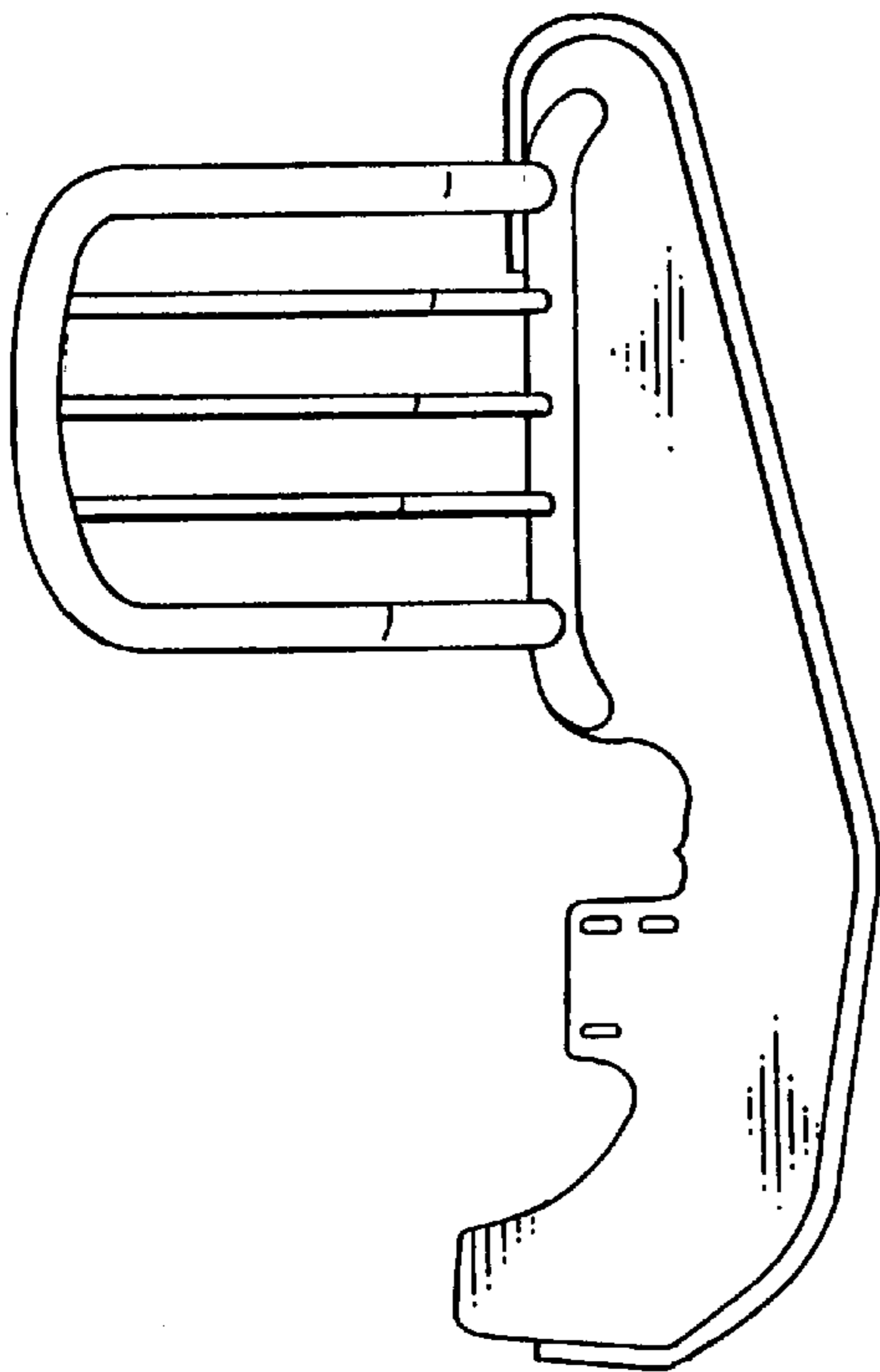


FIG. 2

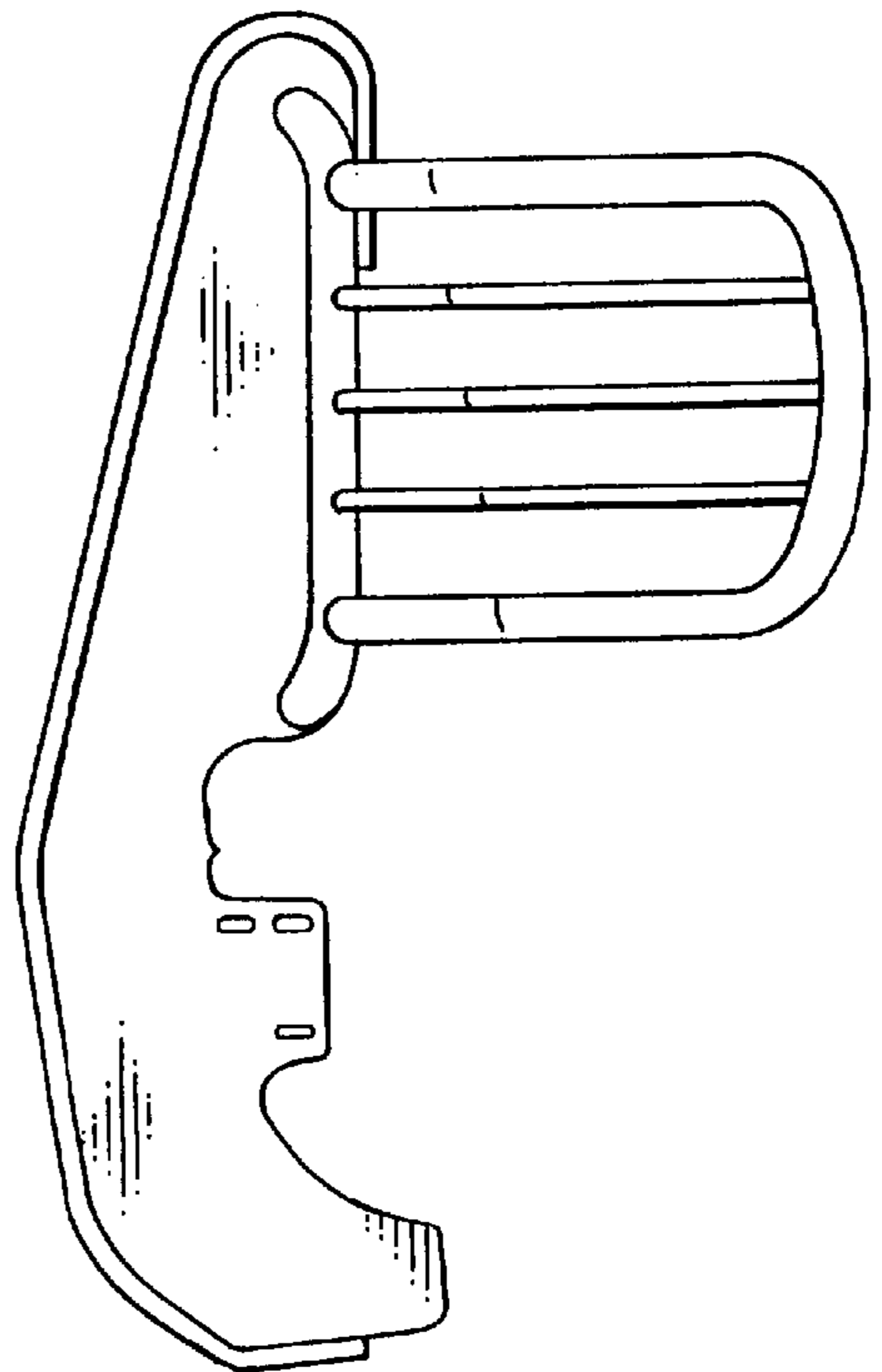


FIG. 3

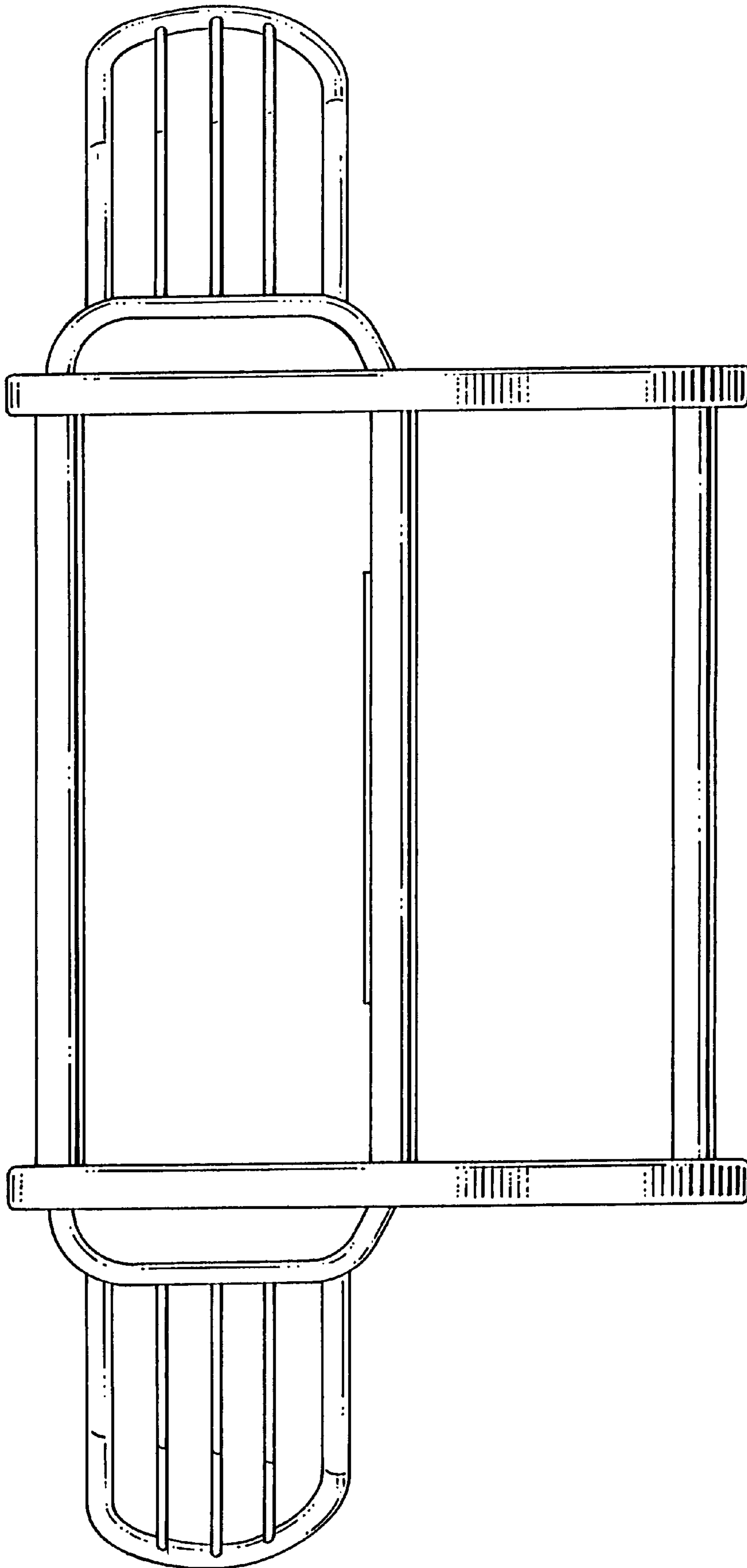


FIG. 4

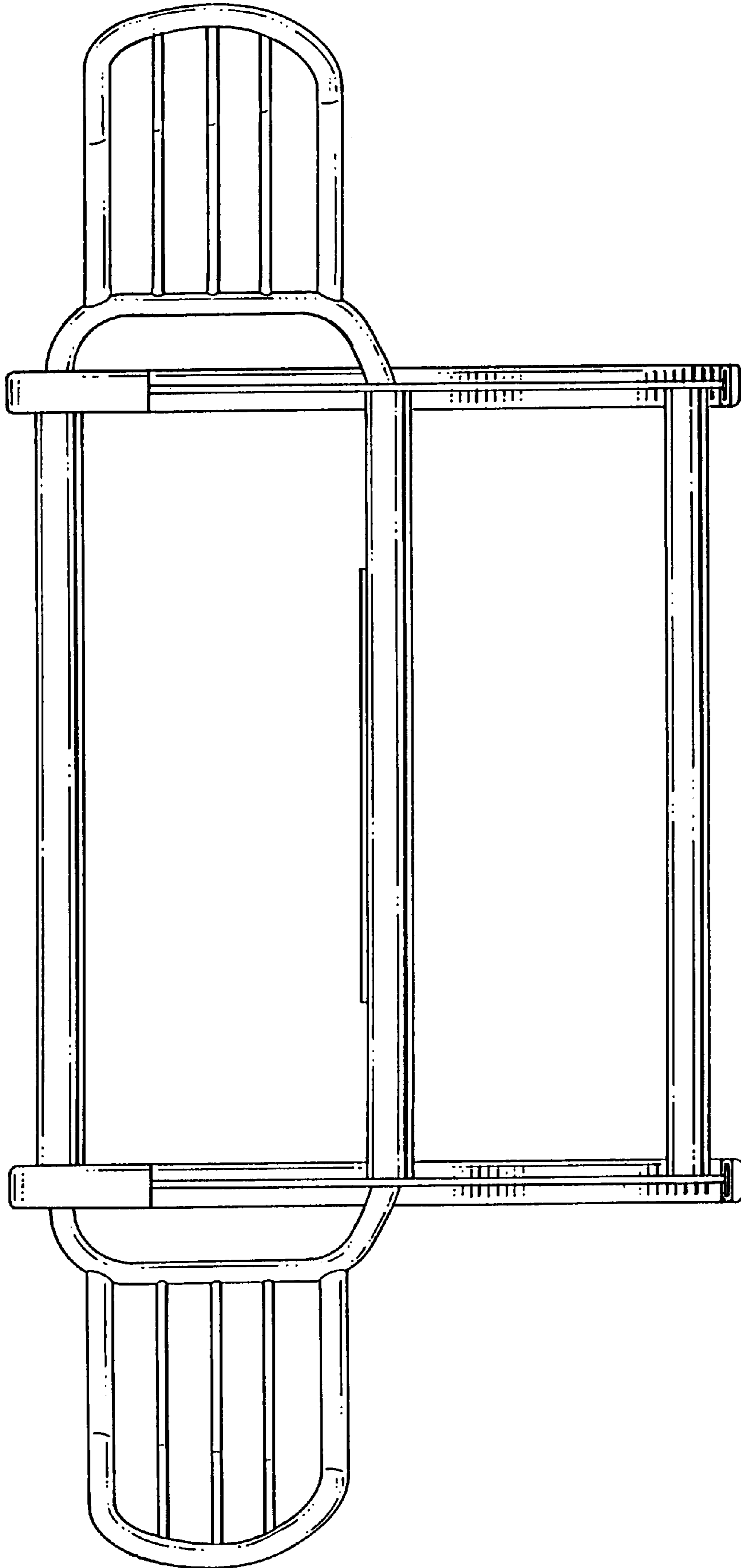


FIG. 5

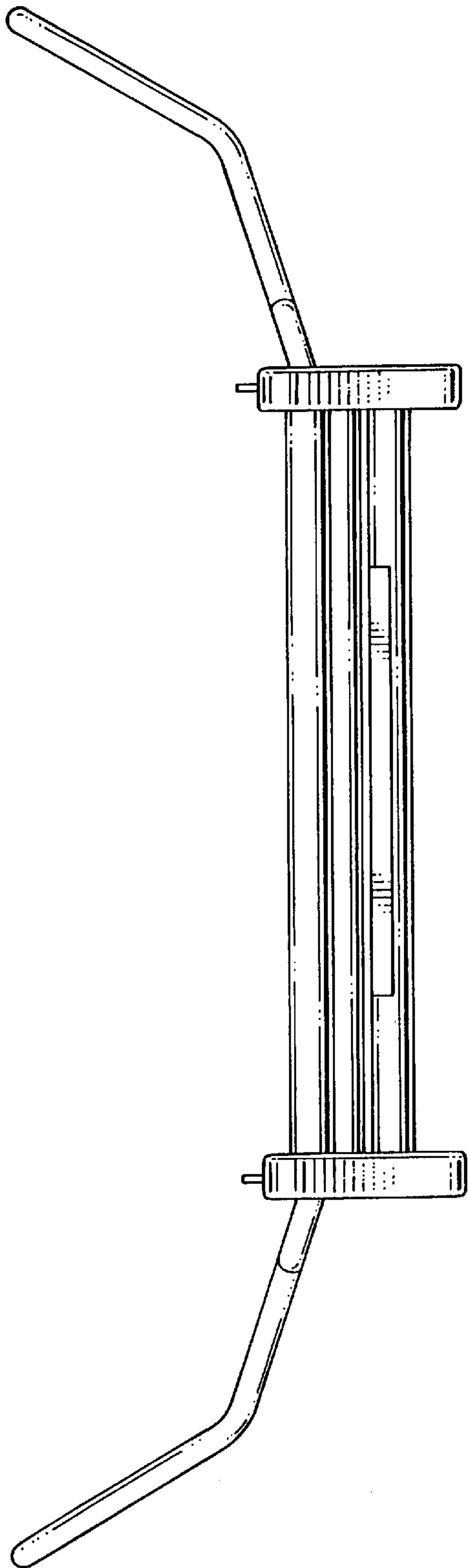


FIG. 6

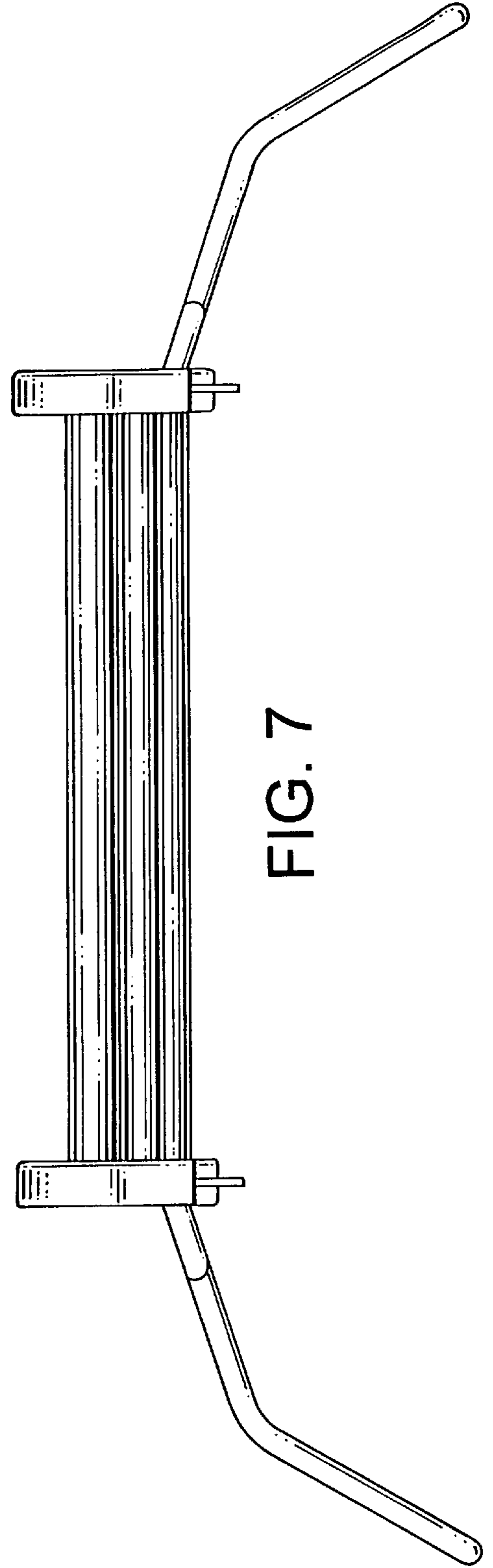


FIG. 7

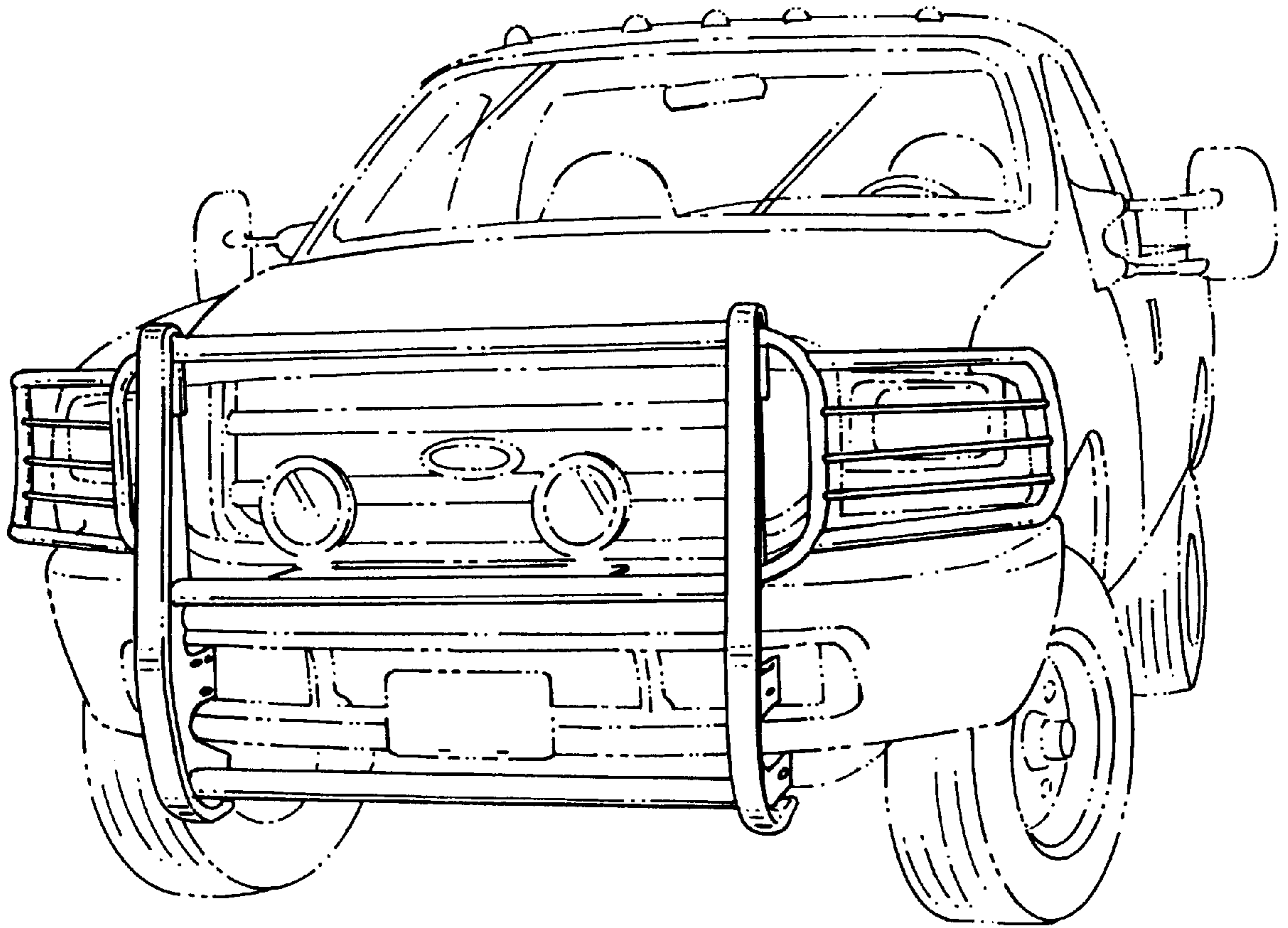


FIG. 8