



US00D410878S

# United States Patent [19] Bangle

[11] Patent Number: **Des. 410,878**

[45] Date of Patent: **\*\* Jun. 15, 1999**

[54] **EXTERIOR SURFACE CONFIGURATION OF A VENTILATION INSERT FOR A FRONT BUMPER OF AN AUTOMOBILE**

D. 312,438 11/1990 Licata ..... D12/169  
D. 326,835 6/1992 Yamamoto ..... D12/169  
D. 349,479 8/1994 Kigoshi et al. .... D12/169  
D. 372,695 8/1996 Nagashima ..... D12/169

[75] Inventor: **Christopher Edward Bangle**, Gilching, Germany

*Primary Examiner*—Melody N. Brown  
*Attorney, Agent, or Firm*—Evenson, McKeown, Edwards & Lenahan, PLLC

[73] Assignee: **Bayerische Motoren Werke Aktiengesellschaft**, Munich, Germany

[\*\*] Term: **14 Years**

[21] Appl. No.: **29/089,759**

[22] Filed: **Jun. 15, 1998**

[57] **CLAIM**

The ornamental design for an exterior surface configuration of a ventilation insert for a front bumper of an automobile, as shown and described.

### Related U.S. Application Data

[63] Continuation-in-part of application No. 29/082,193, Jan. 16, 1998.

### DESCRIPTION

### [30] Foreign Application Priority Data

Jul. 16, 1997 [DE] Germany ..... M 97 06 695

FIG. 1 is a front view of an exterior surface configuration of a ventilation insert for the front bumper of an automobile according to my novel design;  
FIG. 2 is a left side view of an exterior surface configuration of a ventilation insert for the front bumper of an automobile according to my novel design;  
FIG. 3 is a top view of an exterior surface configuration of a ventilation insert for the front bumper of an automobile according to my novel design;  
FIG. 4 is a bottom view of an exterior surface configuration of a ventilation insert for the front bumper of an automobile according to my novel design; and,  
FIG. 5 is a perspective view from the front left of an exterior surface configuration of a ventilation insert for the front bumper of an automobile according to my novel design.  
The broken lines shown in all drawing views are for illustrative purposes only and form no part of the claimed design.

[51] **LOC (6) Cl.** ..... **12-16**

[52] **U.S. Cl.** ..... **D12/169**

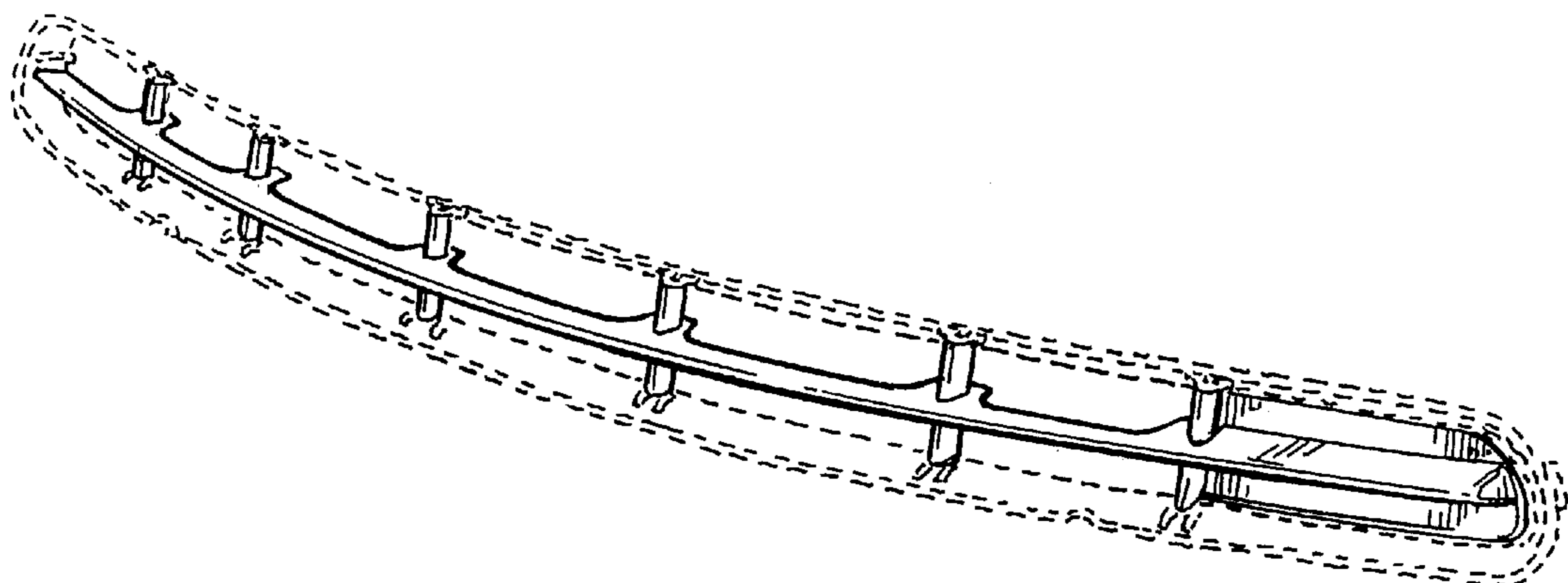
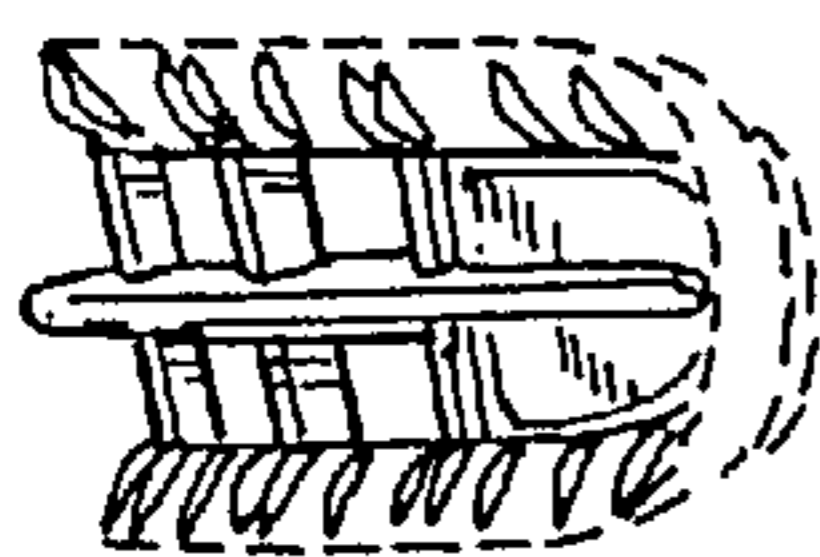
[58] **Field of Search** ..... D12/169, 163, D12/167, 90-92; 180/68.6; 293/113, 120, 102

### [56] References Cited

#### U.S. PATENT DOCUMENTS

D. 307,125 4/1990 Guelfi et al. .... D12/169  
D. 312,433 11/1990 Yamamoto ..... D12/169

**1 Claim, 2 Drawing Sheets**



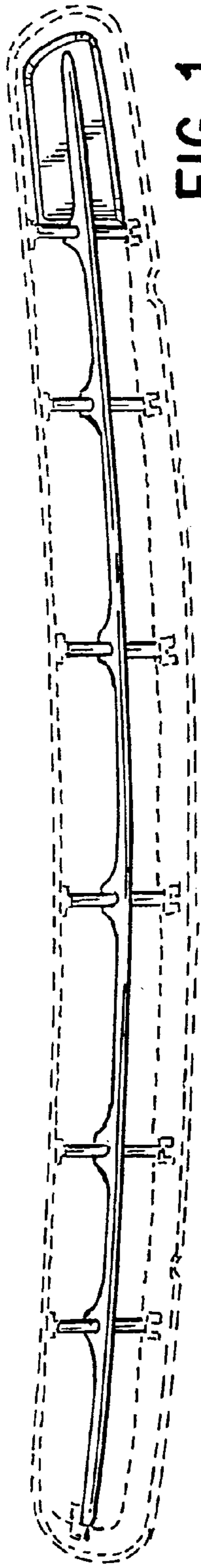


FIG. 1

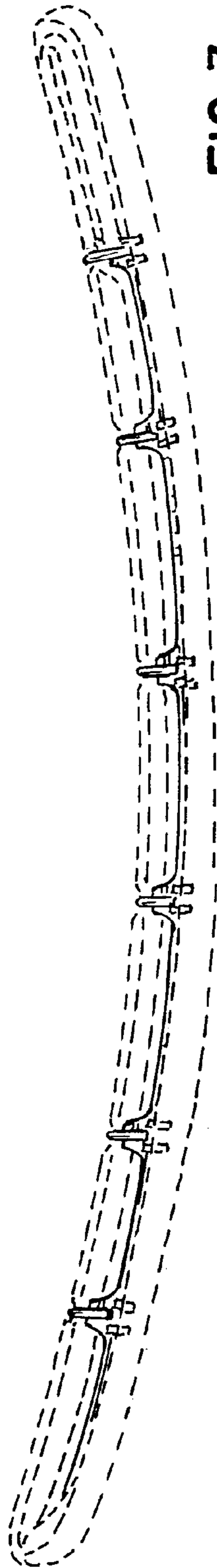


FIG. 3

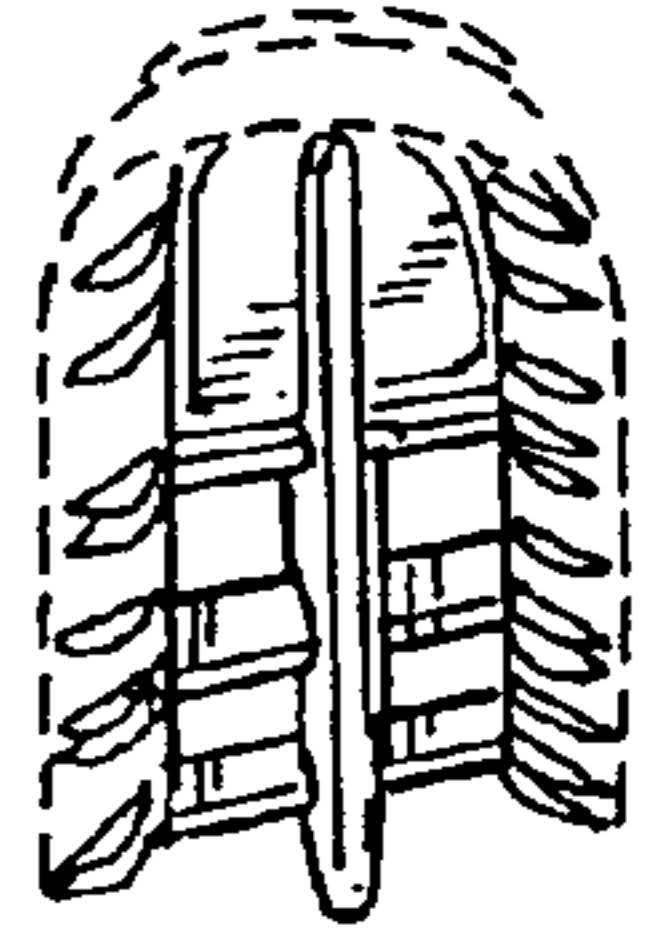


FIG. 2

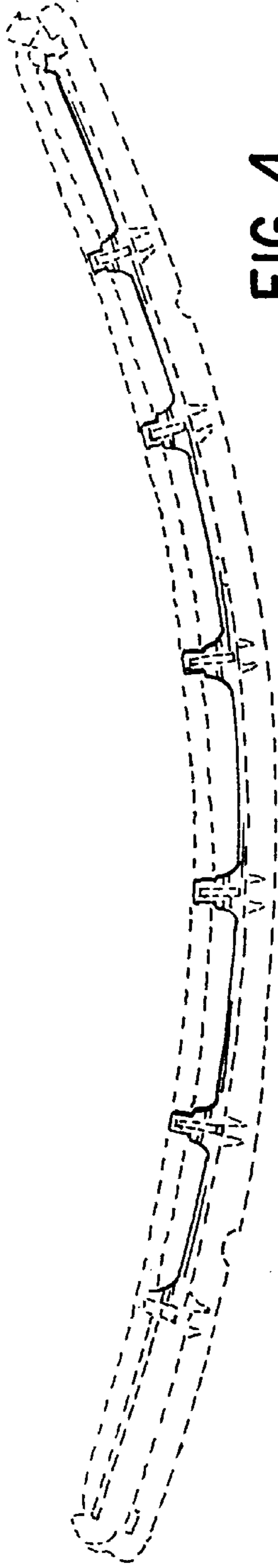


FIG. 4

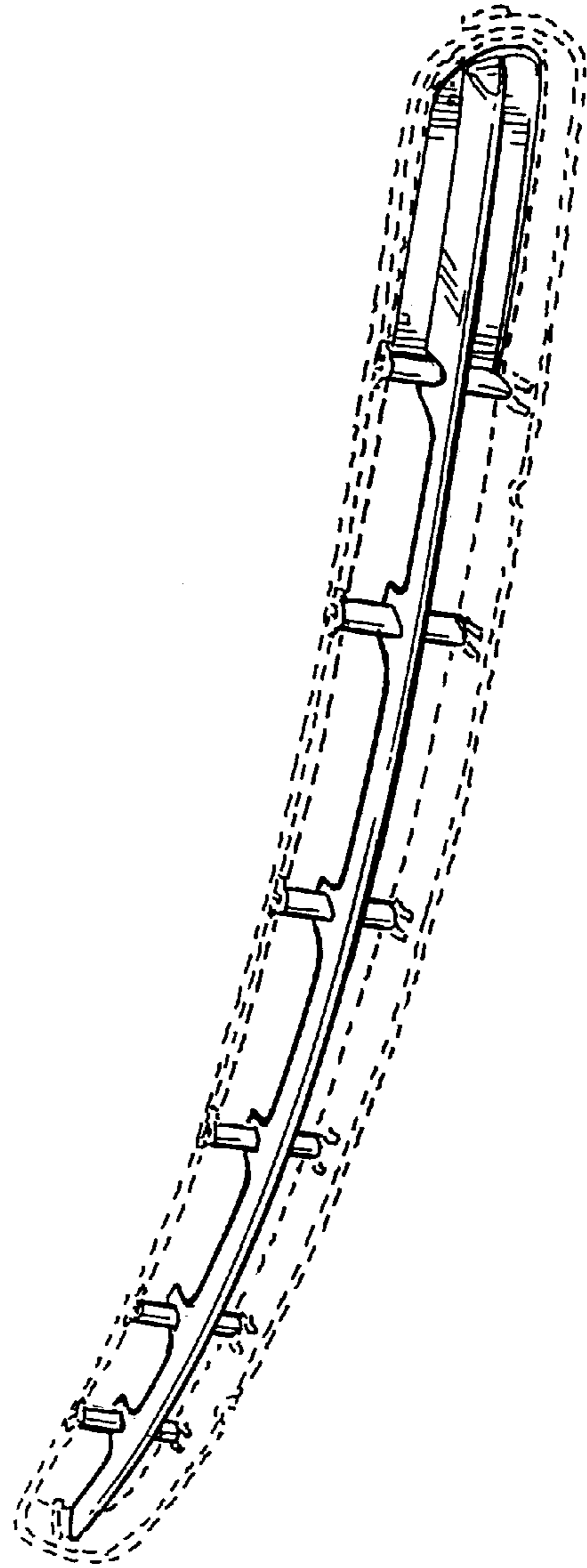


FIG. 5