



US00D410869S

United States Patent [19] Singer

[11] **Patent Number: Des. 410,869**

[45] **Date of Patent: ** Jun. 15, 1999**

[54] **BICYCLE HEADSET CAP**

5,647,684 7/1997 Chen 280/279 X

[76] Inventor: **Darren Singer**, 502 Greenwich St.,
Valparaiso, Ind. 46383

OTHER PUBLICATIONS

Colorado Cyclist Summer 1996, p. 15, the Club Roost
Wedgehead cap & 155A conix headset cap.

[**] Term: **14 Years**

Primary Examiner—Melody N. Brown
Attorney, Agent, or Firm—Gary M. Hartman; Domenica
N.S. Hartman

[21] Appl. No.: **29/066,331**

[22] Filed: **Feb. 12, 1997**

[57] CLAIM

[51] **LOC (6) Cl.** **12-11**

[52] **U.S. Cl.** **D12/114**

[58] **Field of Search** D12/114, 111,
D12/117; 280/276, 279, 280, 288.4; 74/551.1;
403/370, 374, 367, 368

The ornamental design for a bicycle headset cap, as shown
and described.

DESCRIPTION

[56] References Cited

U.S. PATENT DOCUMENTS

4,466,629	8/1984	Sinyard	280/279
4,545,594	10/1985	Cabeza	280/279
4,593,924	6/1986	Cabeza	280/279
4,815,763	3/1989	Hartmann	280/276
4,881,750	11/1989	Hartmann	280/276
5,095,770	3/1992	Rader, III	74/551.1
5,178,035	1/1993	D'Aluisio	74/551.1
5,272,936	12/1993	Nagano	74/551.1
5,305,654	4/1994	Durham	74/551.1
5,331,864	7/1994	Chi	74/551.1
5,380,027	1/1995	Pong et al.	280/279
5,385,360	1/1995	Shook	280/279
5,405,202	4/1995	Chi	384/545

FIG. 1 is a perspective view of a bicycle headset cap showing my new design, the broken line portions of the bicycle are shown for illustrative purposes only and form no part of the claimed design;

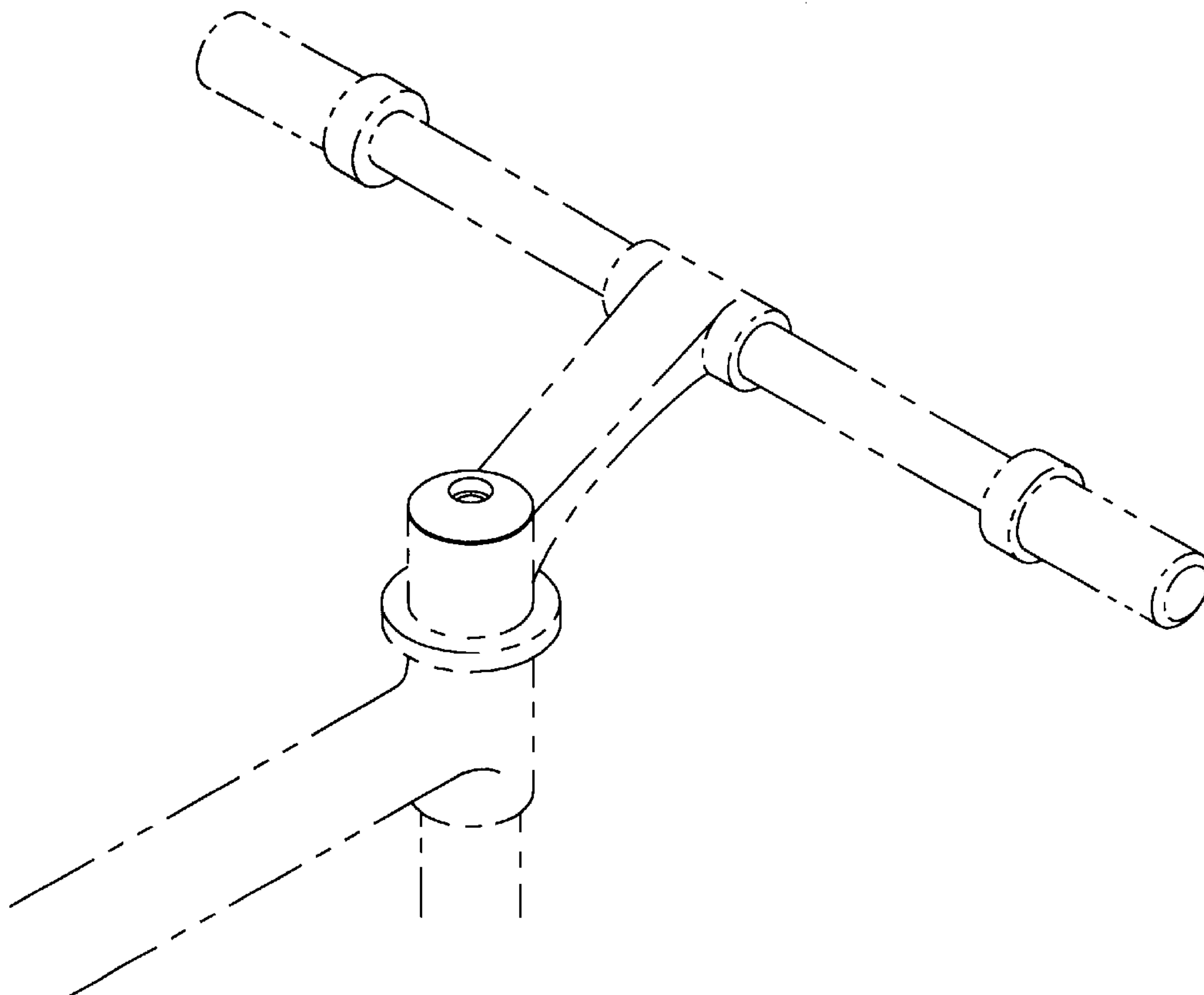
FIG. 2 is a top view of the bicycle headset cap of FIG. 1, with advertising indicated in broken lines.

FIG. 3 is a second top view of the bicycle headset cap of FIG. 1 with the location of artwork, design or logo indicated by broken lines of those words.

FIG. 4 is a bottom view of the bicycle headset cap of FIGS. 1, 2 and 3; and,

FIG. 5 is a side view of the bicycle headset cap of FIGS. 1, 2, 3 and 4. Since the bicycle headset cap is symmetrical, all side views would appear the same as FIG. 5.

1 Claim, 1 Drawing Sheet



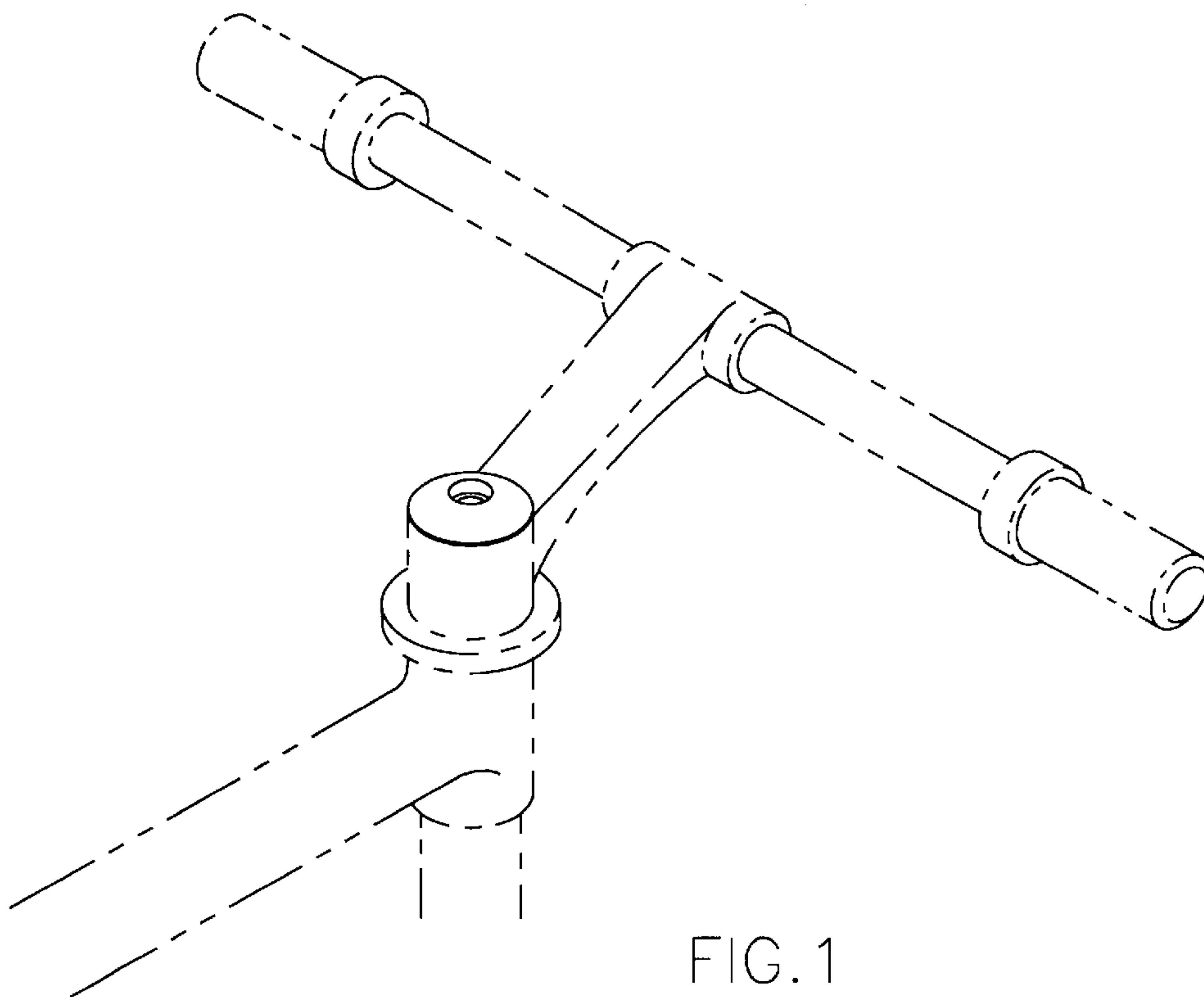


FIG. 1

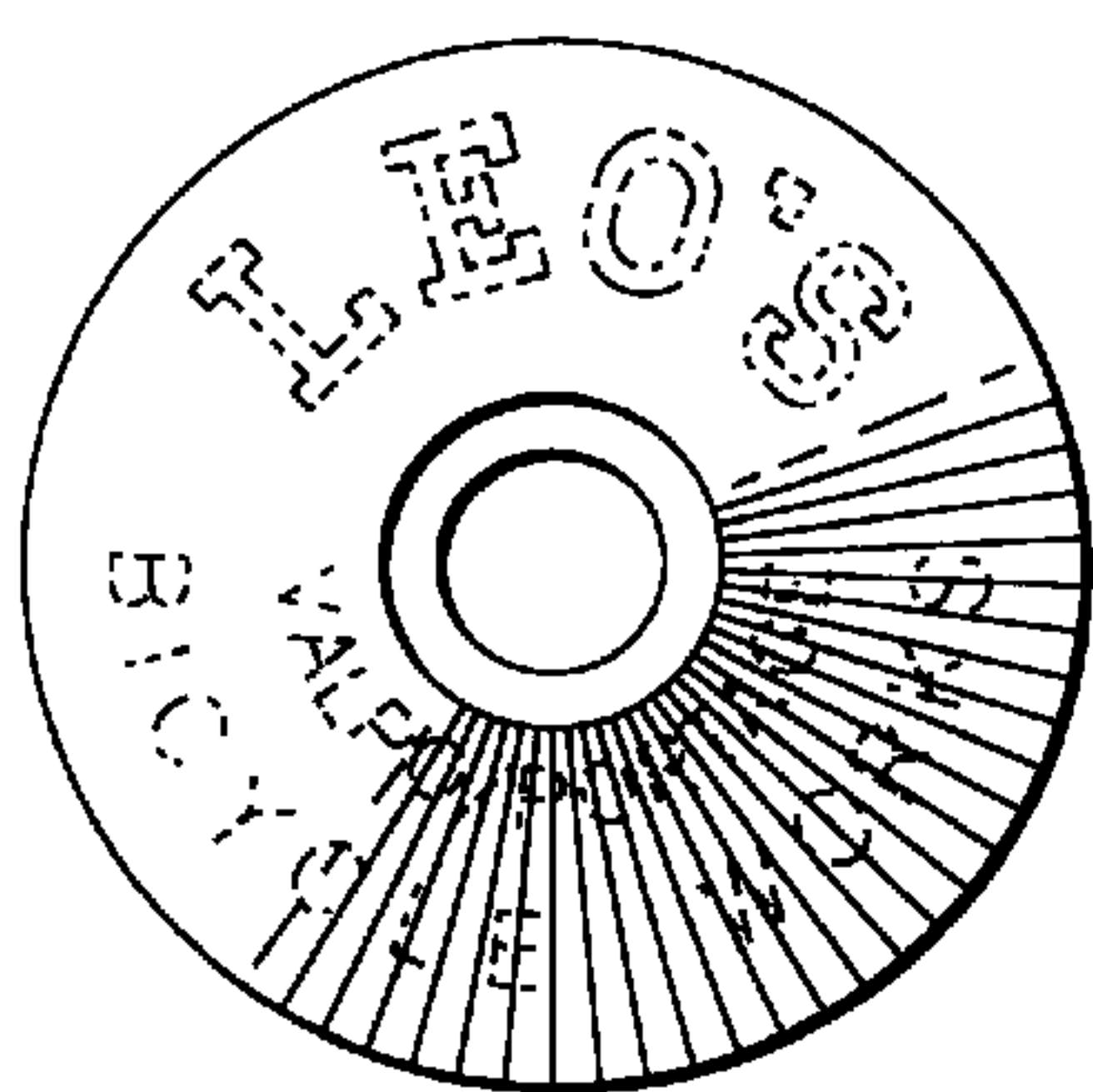


FIG. 2

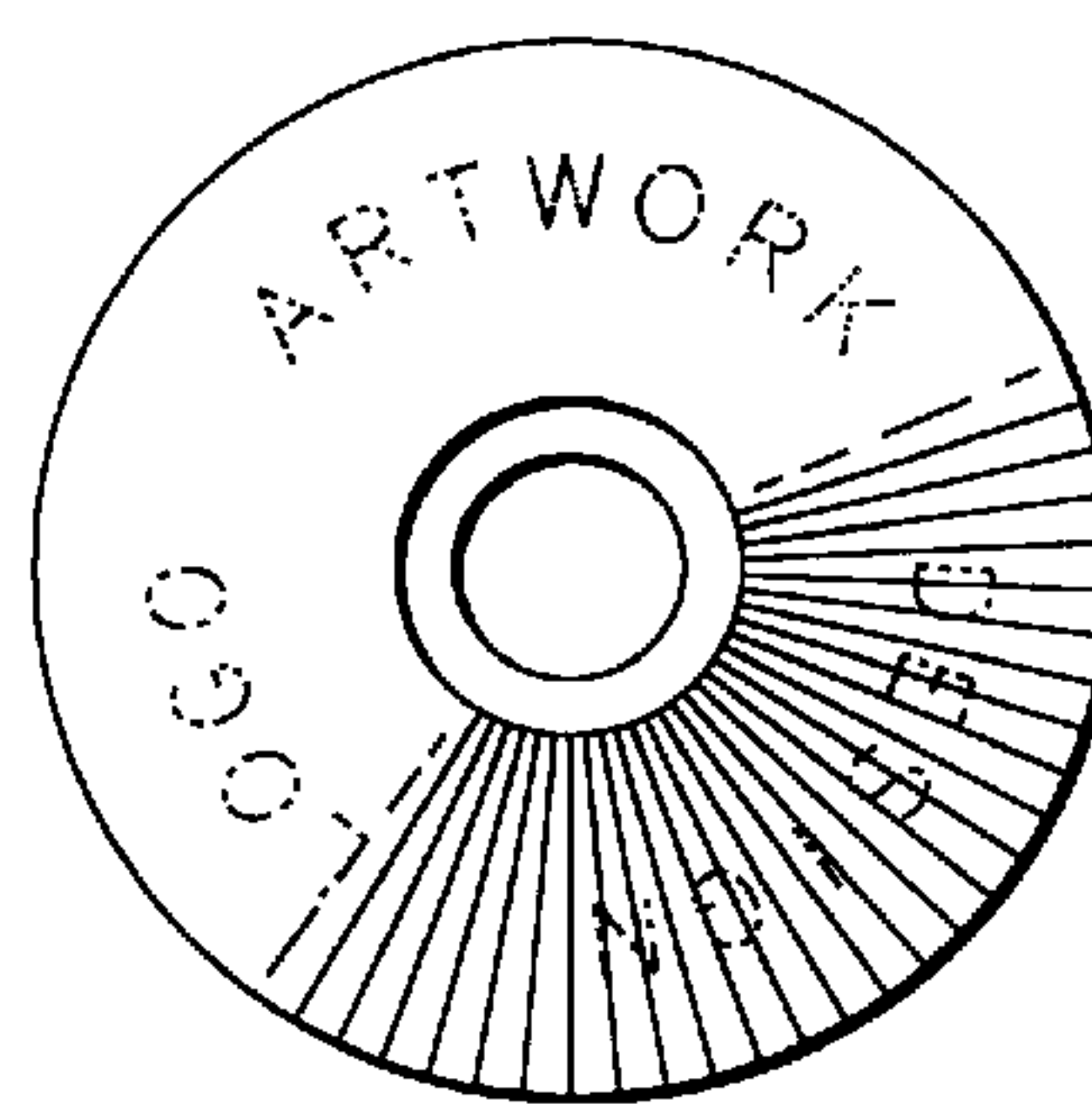


FIG. 3

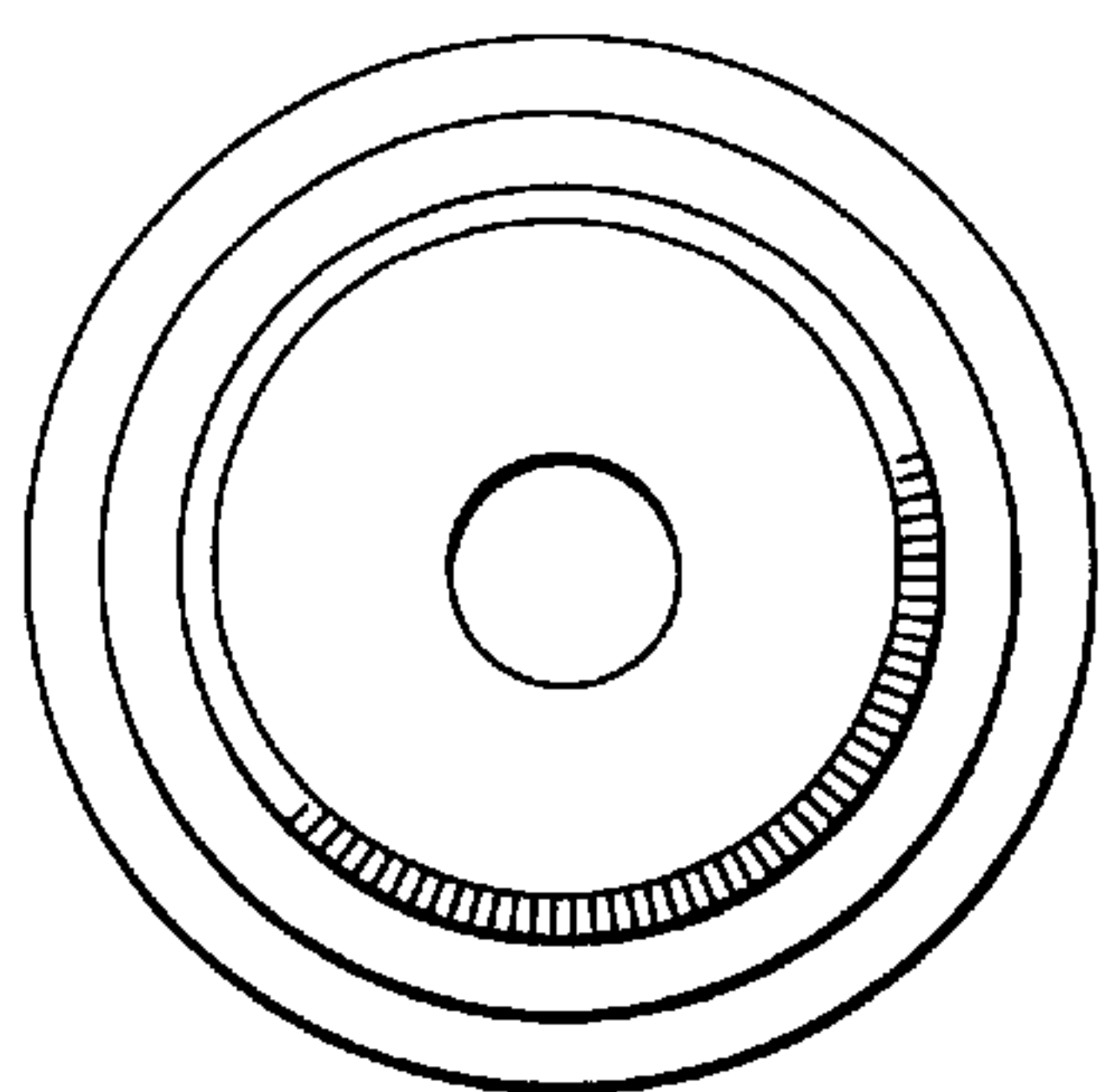


FIG. 4

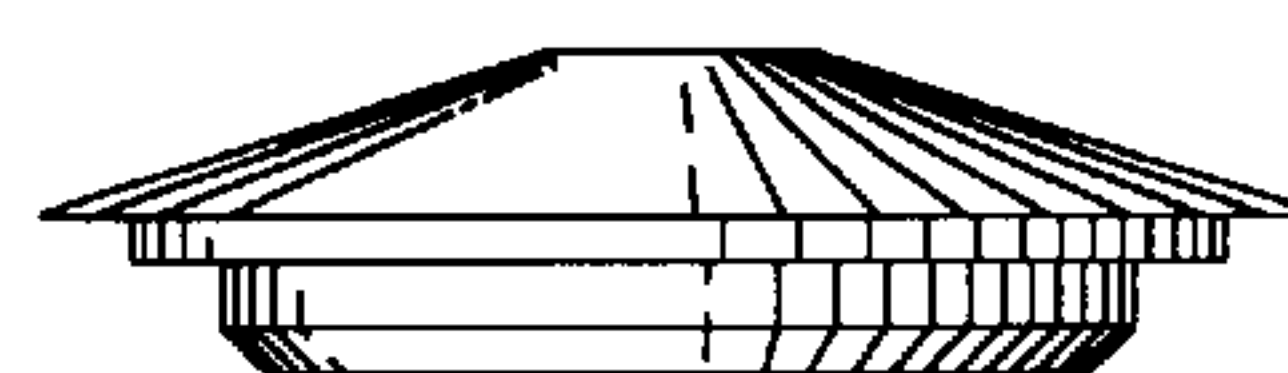


FIG. 5