



US00D410868S

United States Patent [19] Hall, Jr.

[11] **Patent Number: Des. 410,868**

[45] **Date of Patent: ** Jun. 15, 1999**

[54] **TRAILER SIDE SLAT EXTRUSION**

| | | | |
|-----------|---------|---------------|----------|
| 3,501,878 | 3/1970 | Segal | D25/158 |
| 4,566,971 | 1/1986 | Croll | 52/220.2 |
| 4,703,597 | 11/1987 | Eggemar | 52/220.2 |

[75] Inventor: **Roland K. Hall, Jr.**, Bokchito, Okla.

[73] Assignee: **Sundowner Trailers, Inc.**, Coleman, Okla.

Primary Examiner—Melody N. Brown
Attorney, Agent, or Firm—Baker & Daniels

[**] Term: **14 Years**

[57] **CLAIM**

[21] Appl. No.: **29/060,983**

The ornamental design for a trailer side slat extrusion, as shown and described.

[22] Filed: **Oct. 15, 1996**

DESCRIPTION

[51] **LOC (6) Cl.** **12-11**

[52] **U.S. Cl.** **D12/106; D25/158**

[58] **Field of Search** D12/106; D25/138,
D25/125, 158; 52/602, 609, 612, 220.1,
220.4, 220.8, 220.3, 220.2, 386, 396.01

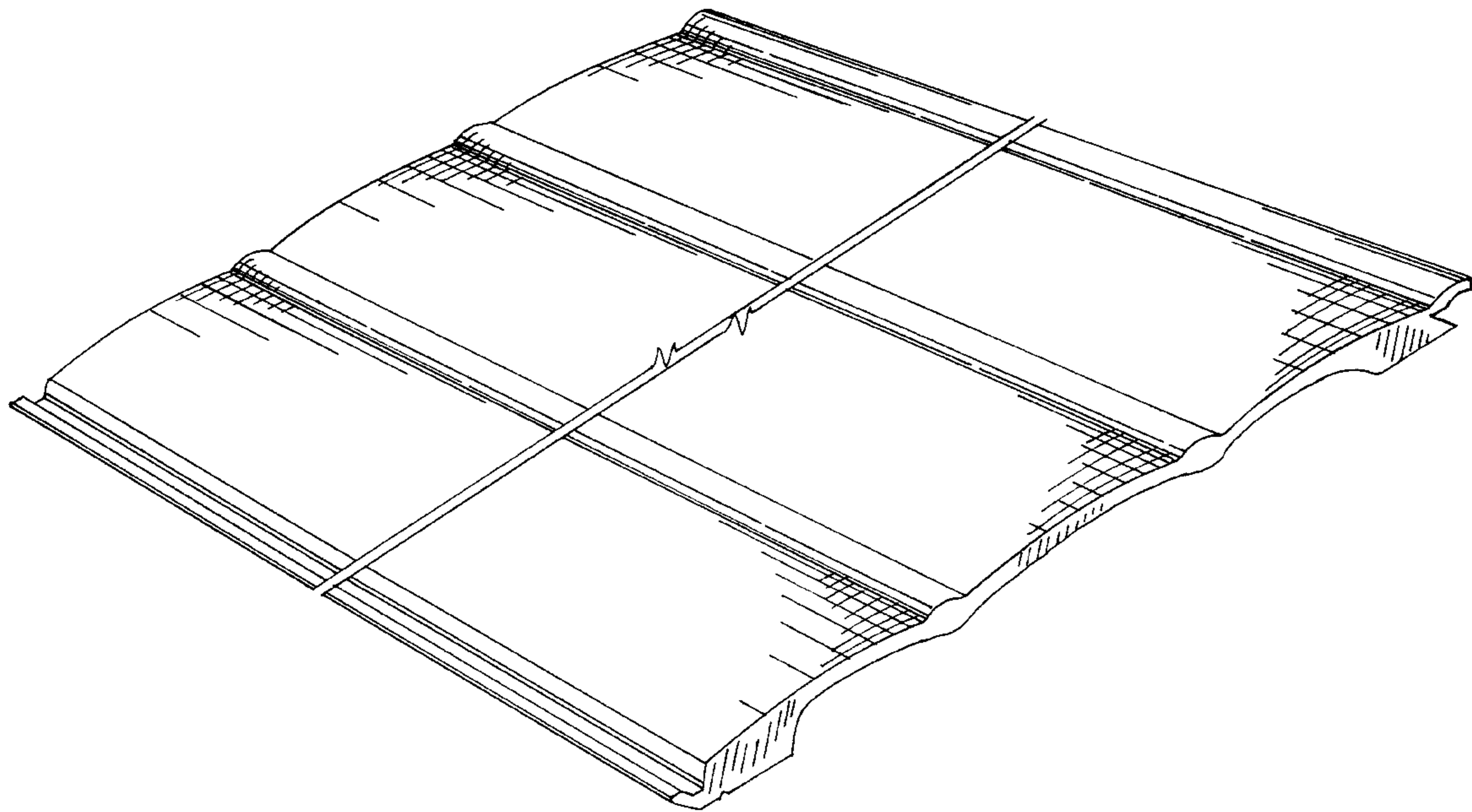
FIG. 1 is a front view in perspective of a trailer side slat extrusion of indefinite length illustrating my new design, the backside thereof being substantially unornamented;
FIG. 2 is a perspective view of the trailer side slat extrusion of FIG. 1 shown installed on a trailer for transporting horses or other livestock; the broken lines are for environmental purposes only and form no part of the claimed design;
FIG. 3 is a cross sectional view taken along lines 3—3 of FIG. 2 of the trailer side slat extrusion; and,
FIG. 4 is an enlarged view of the circumscribed portion taken from FIG. 2 showing a number of similar extrusions positioned adjacent each other.

[56] **References Cited**

U.S. PATENT DOCUMENTS

| | | | |
|------------|---------|-----------------------|---------|
| D. 299,971 | 2/1989 | Gilbert | D25/138 |
| D. 336,687 | 6/1993 | Schremmer | D25/138 |
| D. 341,217 | 11/1993 | Wolf | D25/138 |
| D. 341,340 | 11/1993 | Pothering et al. | D12/106 |
| D. 381,185 | 7/1997 | Hauser et al. | D1/126 |
| D. 392,754 | 3/1998 | Arenstom et al. | D25/158 |

1 Claim, 4 Drawing Sheets



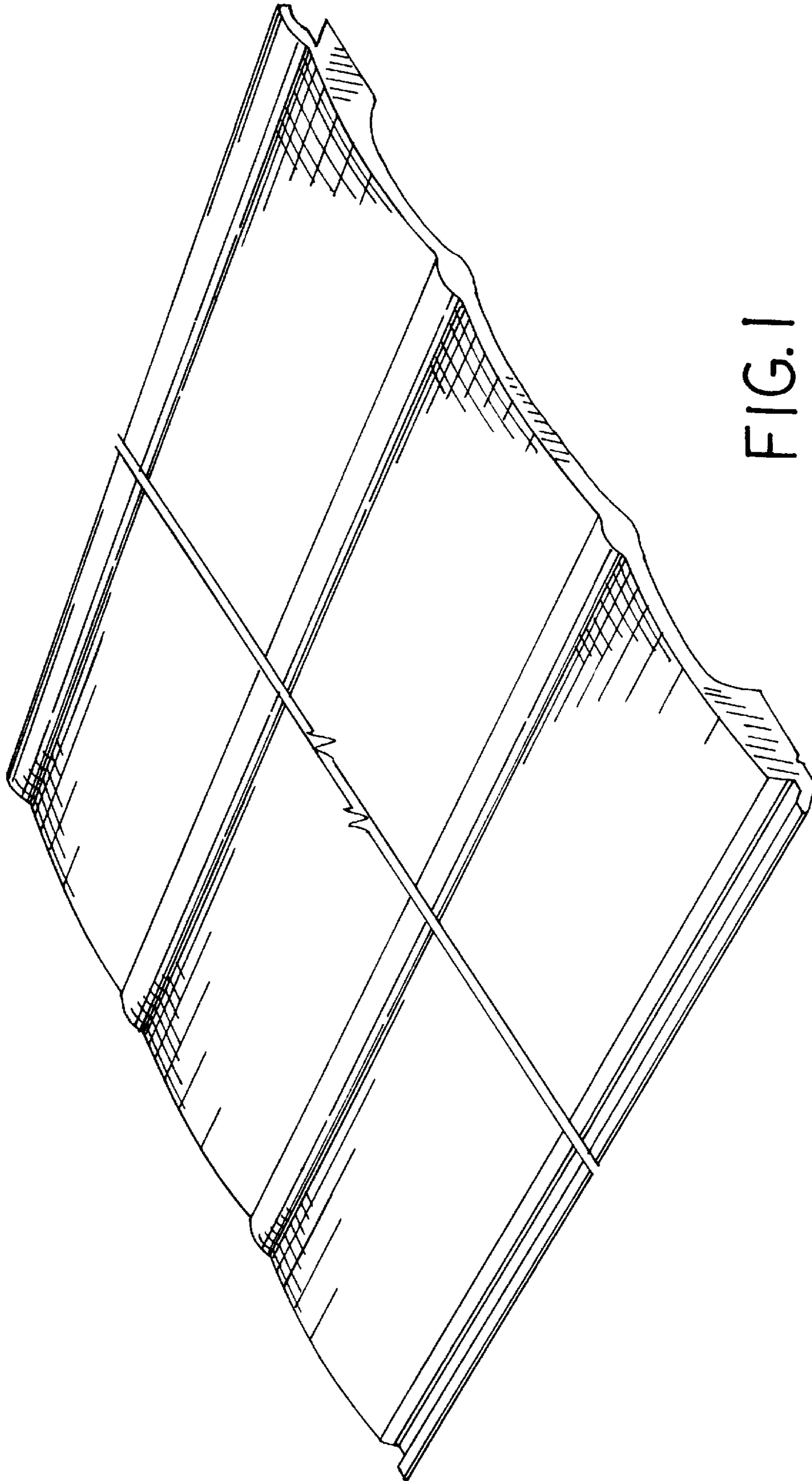


FIG. 1

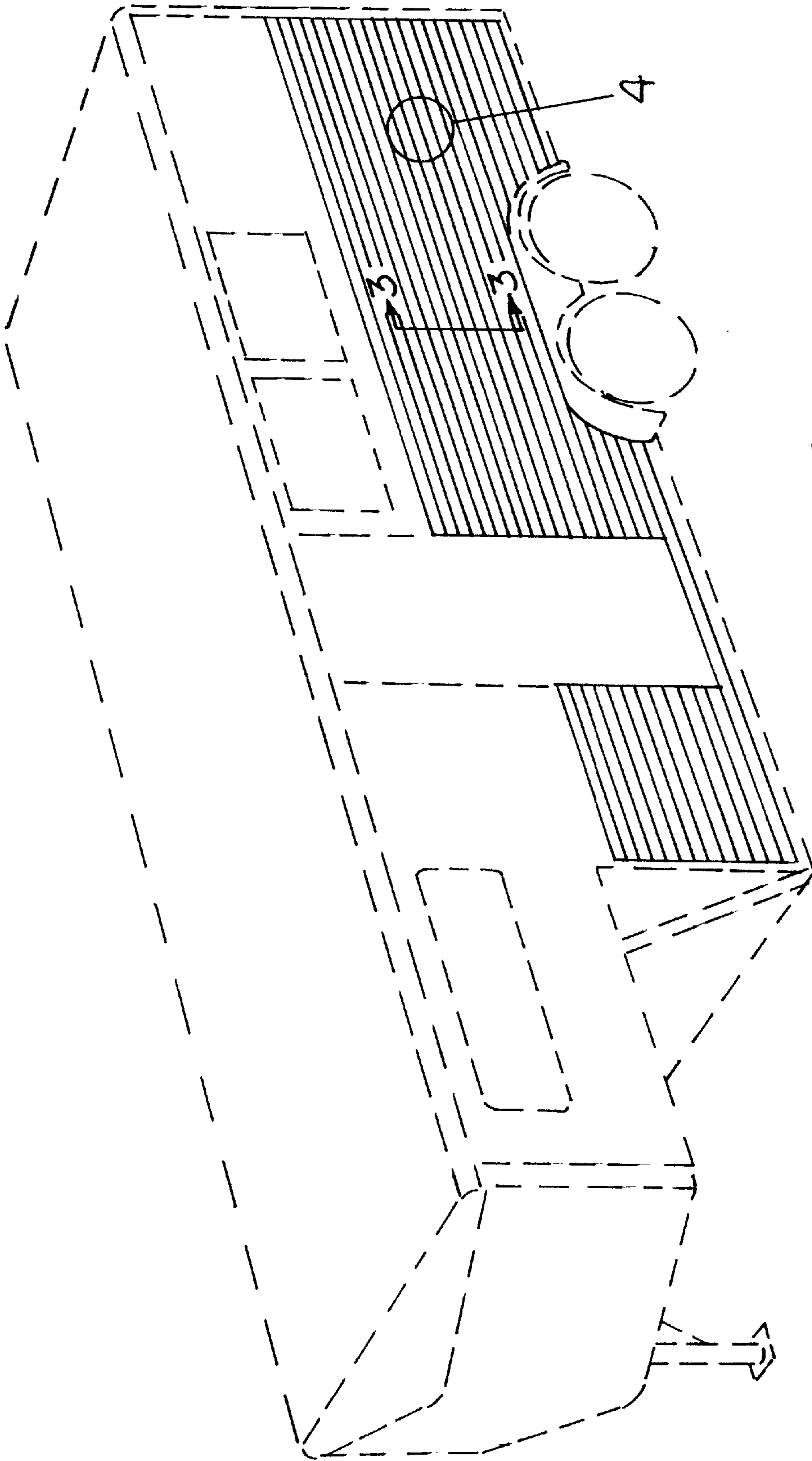


FIG.2



FIG. 3

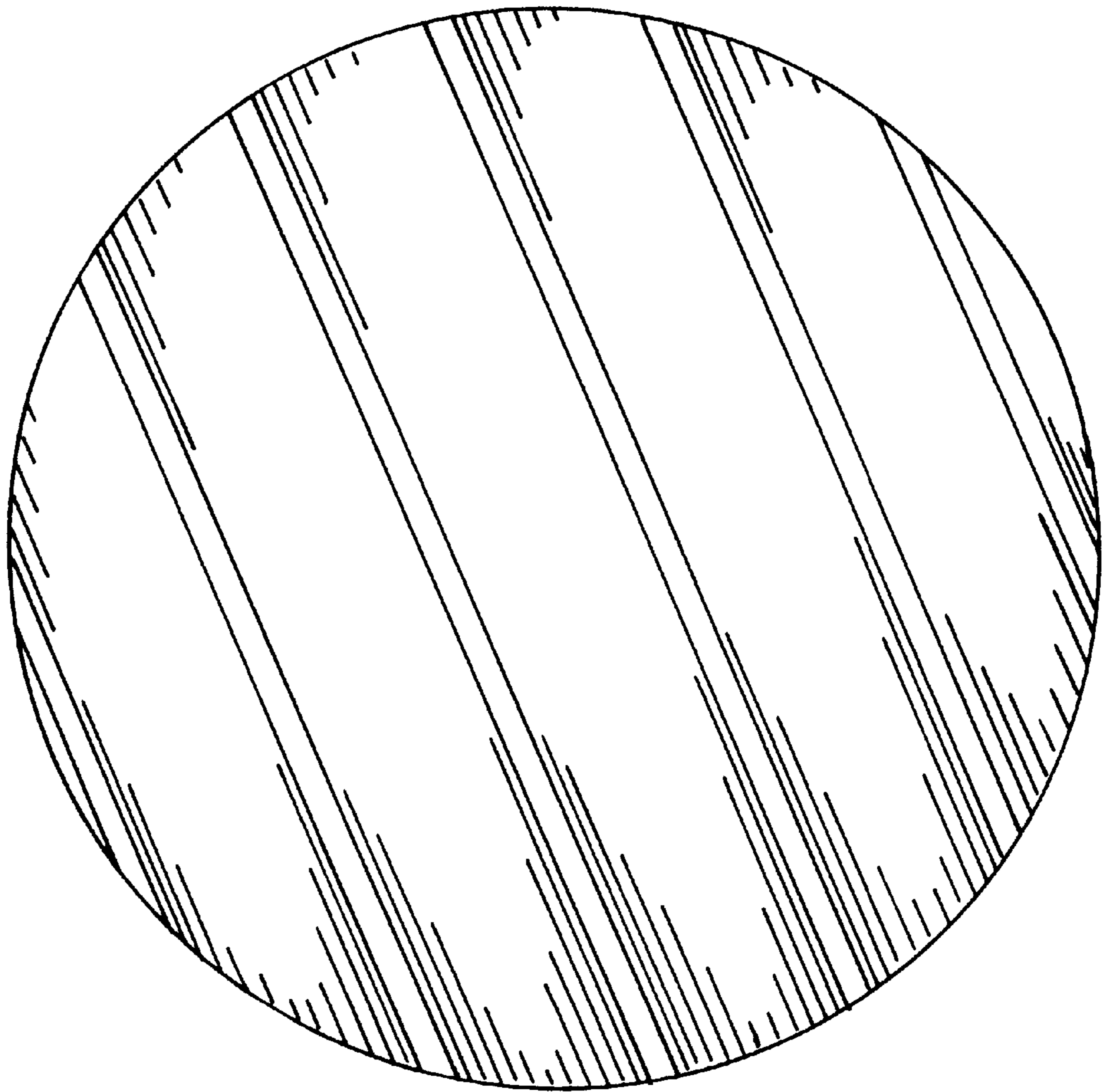


FIG. 4