



US00D410865S

United States Patent [19] Myers

[11] Patent Number: Des. 410,865

[45] Date of Patent: ** Jun. 15, 1999

[54] PROTECTOR FOR WRIST WATCH LENS

103815 6/1917 United Kingdom .
110048 10/1917 United Kingdom .

[76] Inventor: Charles E. Myers, 10624 S. Wasatch Blvd., Sandy, Utah 84092

Primary Examiner—Nelson C. Holtje
Attorney, Agent, or Firm—Trask, Britt & Rossa

[**] Term: 14 Years

[57] CLAIM

[21] Appl. No.: 29/075,088

The ornamental design for a protector for a wrist watch lens, as shown and described.

[22] Filed: Aug. 12, 1997

[51] LOC (6) Cl. 10-03

[52] U.S. Cl. D10/132

[58] Field of Search D10/130-132;
368/286, 282

DESCRIPTION

[56] References Cited

U.S. PATENT DOCUMENTS

- D. 310,049 8/1990 Hartman et al. .
- D. 316,050 4/1991 Weil .
- D. 334,543 4/1993 Falcone .
- 1,199,256 9/1916 Farr .
- 1,249,906 12/1917 Daw .
- 2,511,105 6/1950 Fenyvessy .
- 2,565,822 8/1951 McClelland .
- 2,582,473 1/1952 Belfert .
- 2,635,416 4/1953 Mietchen .
- 3,584,455 6/1971 Slon .
- 3,712,049 1/1973 Luxembourg .
- 4,155,219 5/1979 Anderson .
- 4,277,842 7/1981 Richards .
- 4,459,038 7/1984 Lederrey .
- 4,511,261 4/1985 Mishima .
- 4,592,660 6/1986 Hartman et al. .
- 4,742,503 5/1988 Braun et al. .
- 4,835,750 5/1989 Quincey .
- 4,837,756 6/1989 Hartman et al. .
- 4,916,679 4/1990 Agnello .
- 4,939,913 7/1990 Scungio et al. .
- 5,272,682 12/1993 Falcone .

FOREIGN PATENT DOCUMENTS

- 102641 of 1916 United Kingdom .
- 105694 4/1917 United Kingdom .
- 106357 5/1917 United Kingdom .

FIG. 1 is a front perspective view of a protector for wrist watch lens showing my new design, the broken lines showing the user's hand and wrist watch or the like are for illustrative purposes only, and form no part of the claimed design;

FIG. 2 is a top view of my design, the broken lines showing the wrist watch are for illustrative purposes only, and form no part of the claimed design;

FIG. 3 is a bottom view thereof, the broken lines showing the wrist watch are for illustrative purposes only, and for no part of the claimed design;

FIG. 4 is a left side view thereof, the broken lines showing the wrist watch are for illustrative purposes only, and form no part of the claimed design;

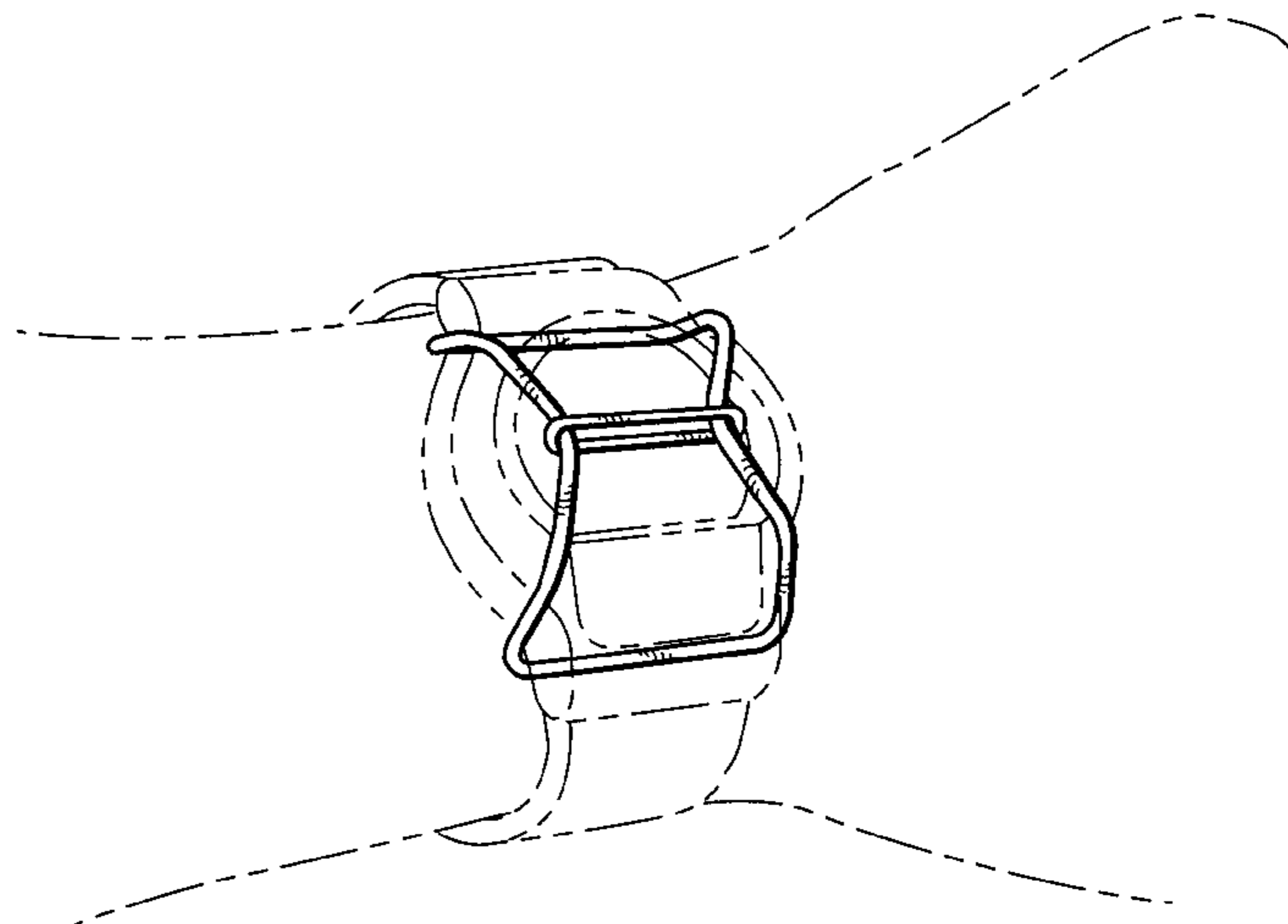
FIG. 5 is a right side view thereof, the broken lines showing the wrist watch are for illustrative purposes only, and form no part of the claimed design;

FIG. 6 is a rear view thereof, the broken lines showing the wrist watch are for illustrative purposes only, and form no part of the claimed design;

FIG. 7 is a front view thereof, the broken lines showing the wrist watch are for illustrative purposes only, and form no part of the claimed design; and,

FIG. 8 is a front perspective view thereof showing the cross member of the design being moved toward the top of the watch face of the like so as to better expose the watch face of the like, the broken lines showing the user's hand and wrist watch or the like are for illustrative purposes only, and form no part of the claimed design.

1 Claim, 3 Drawing Sheets



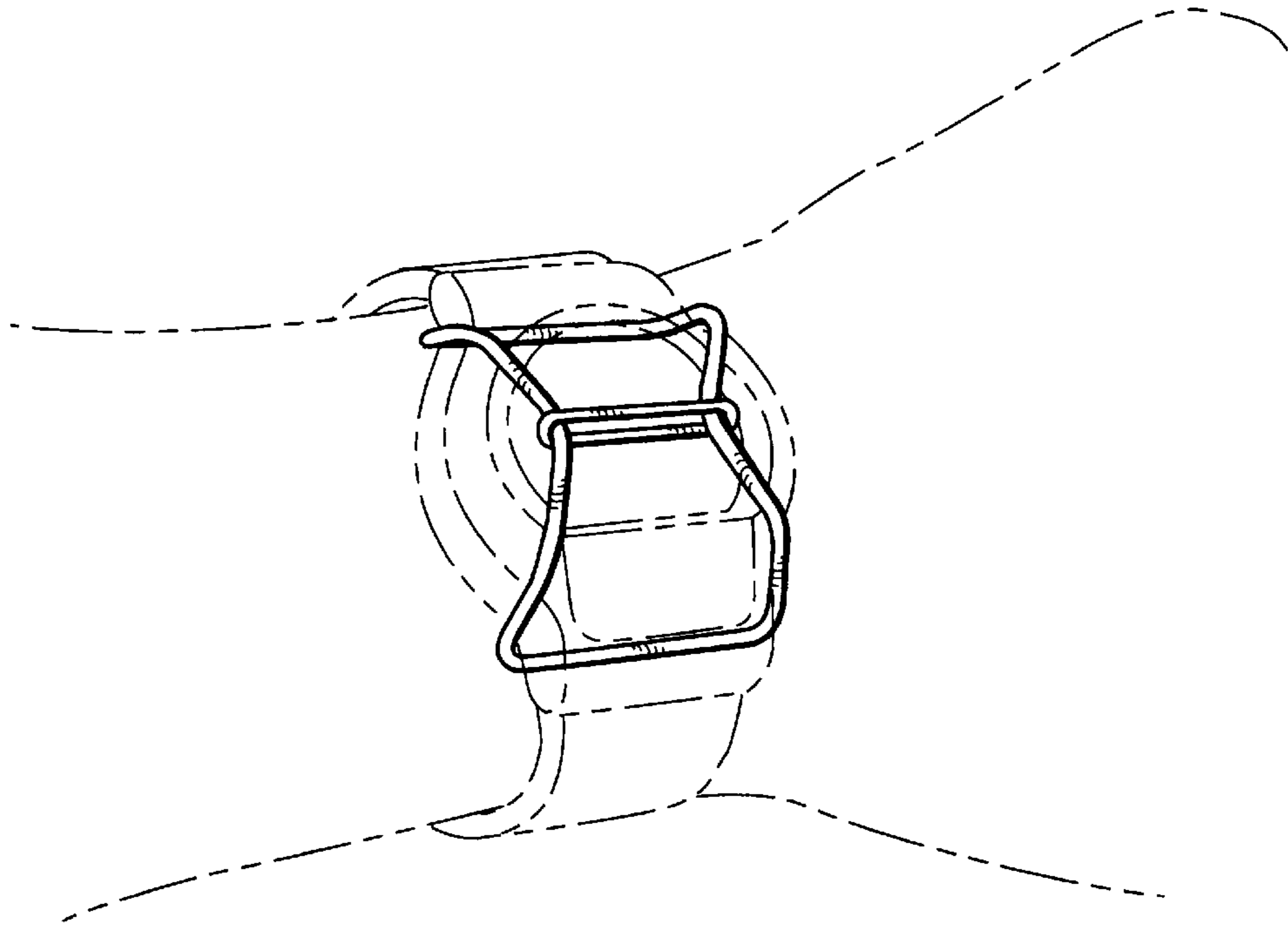


Fig. 1

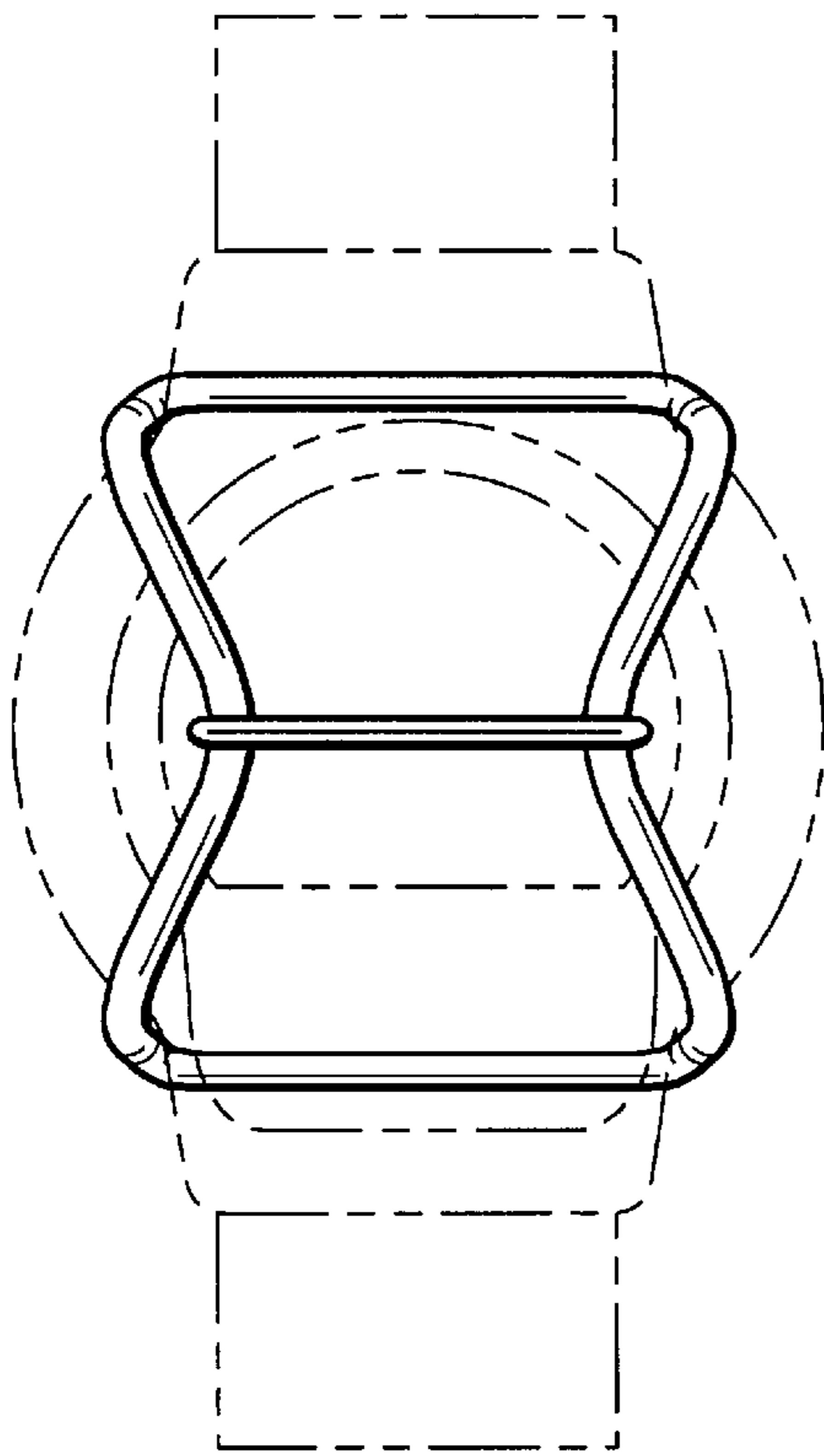


Fig. 2

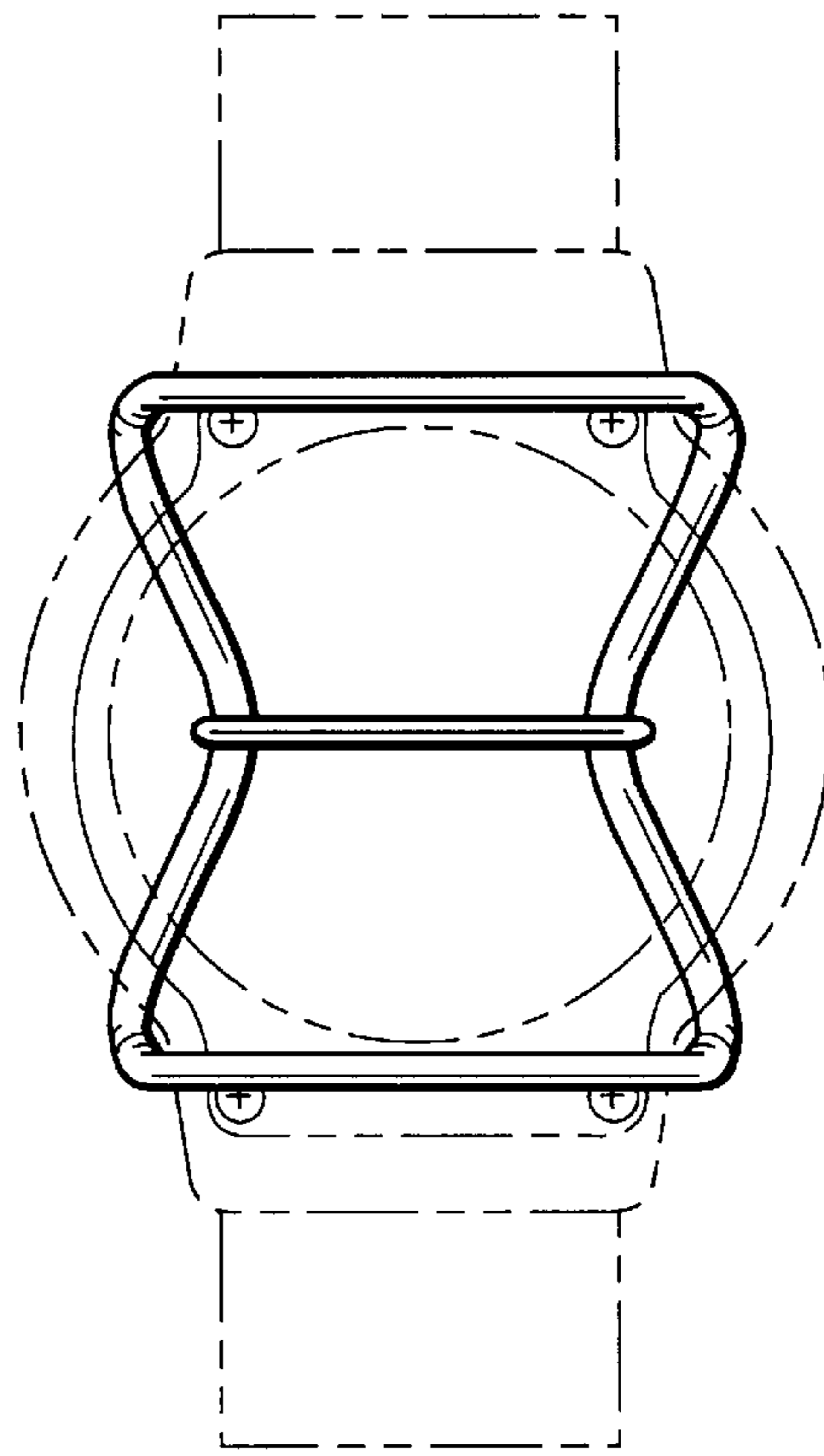


Fig. 3

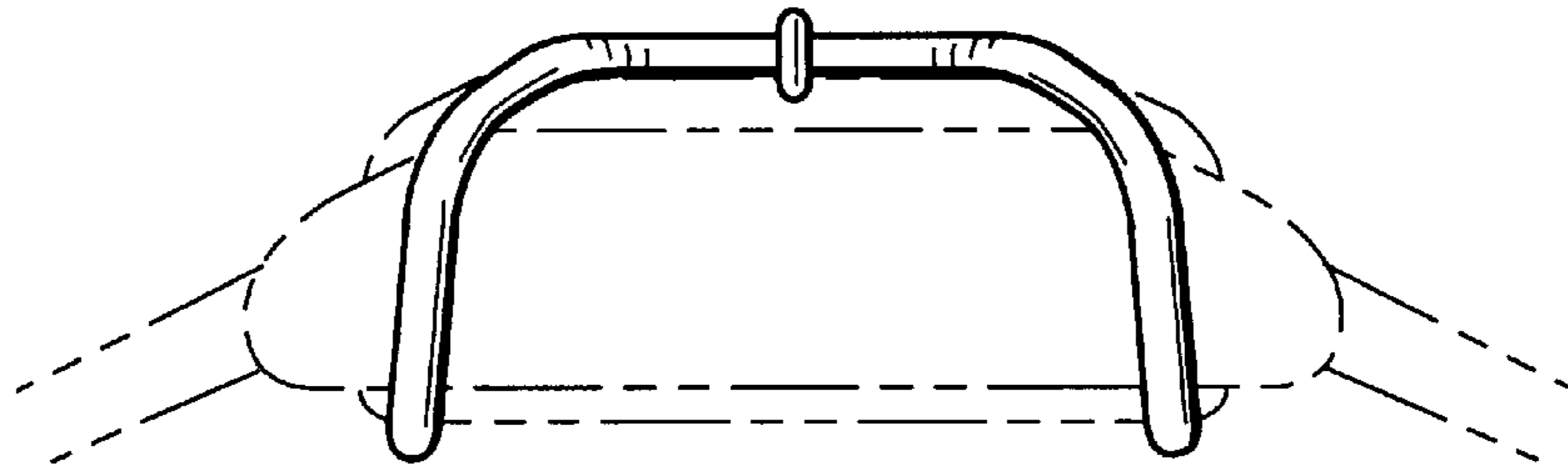


Fig. 4

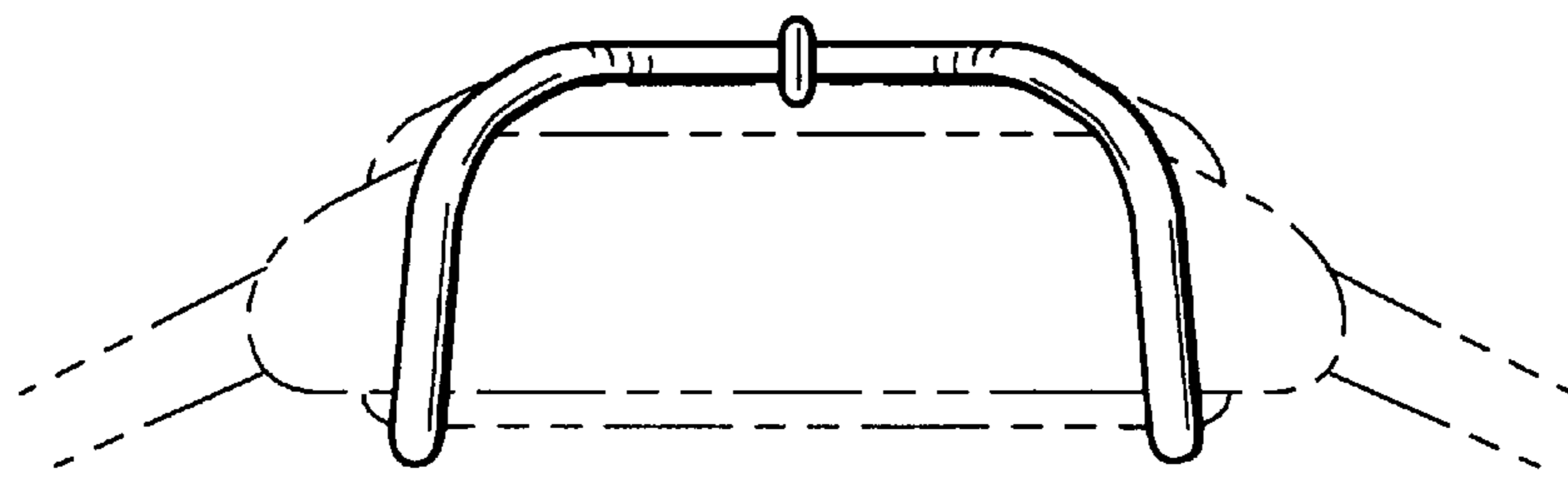


Fig. 5

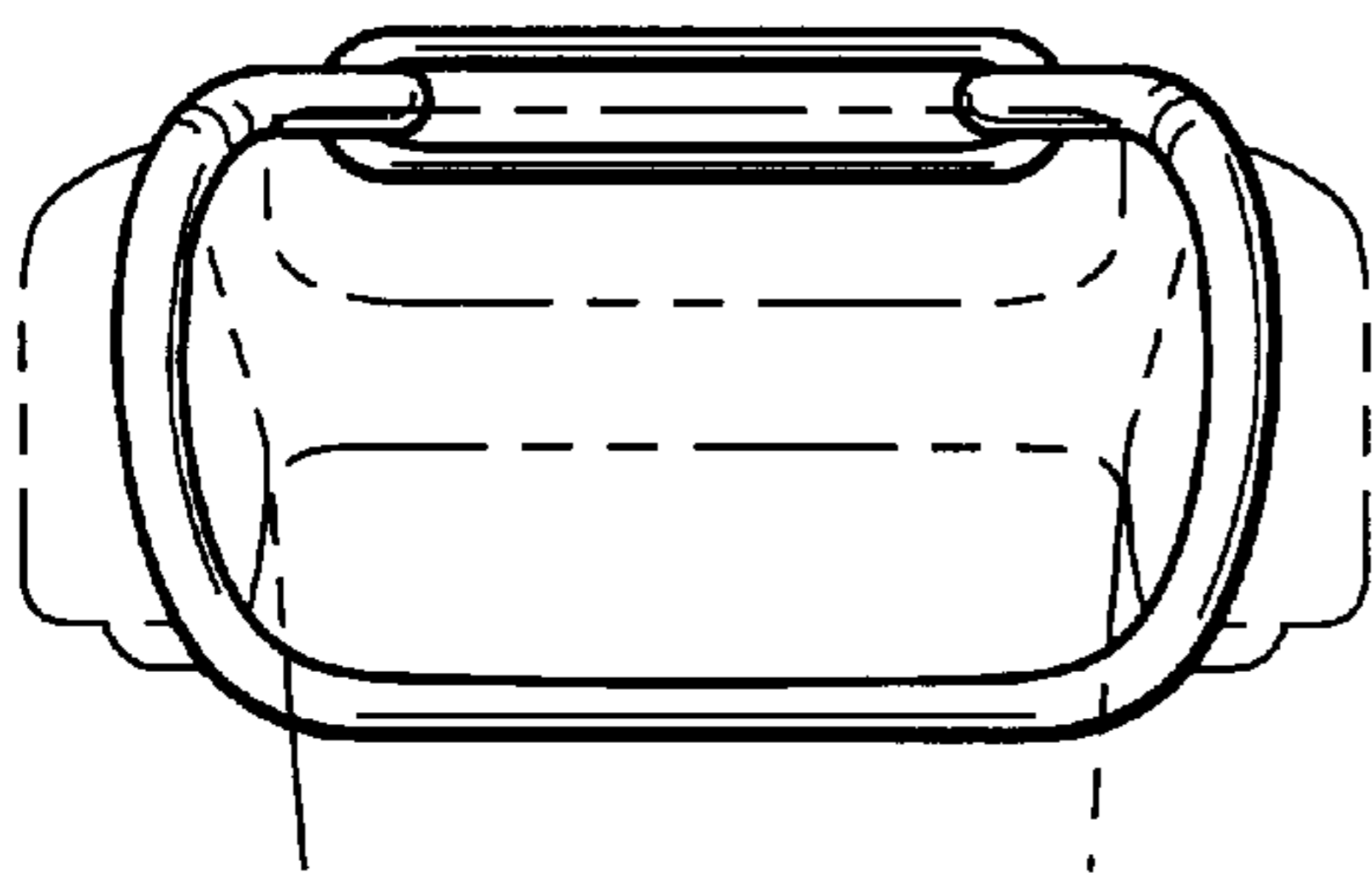


Fig. 6

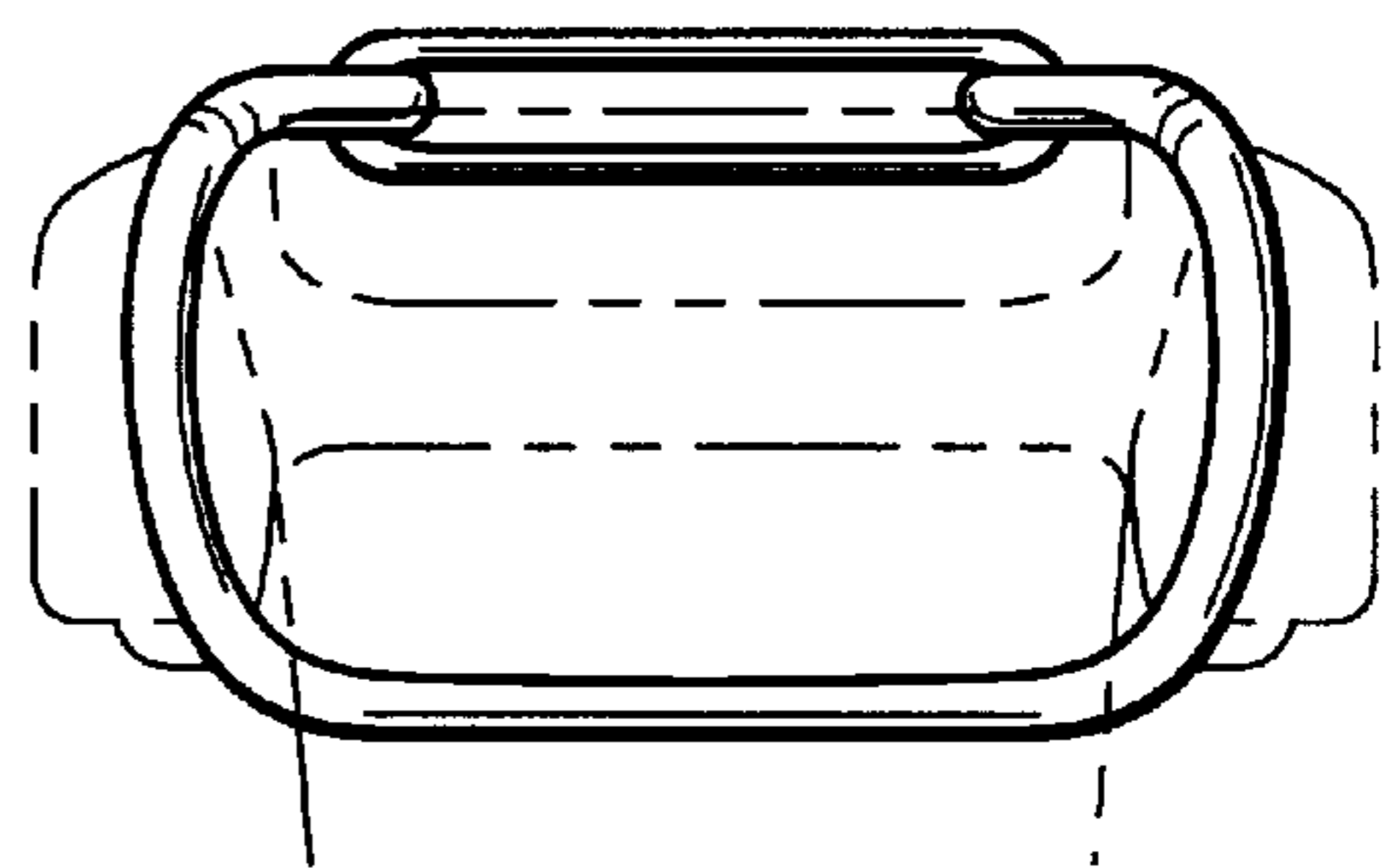


Fig. 7

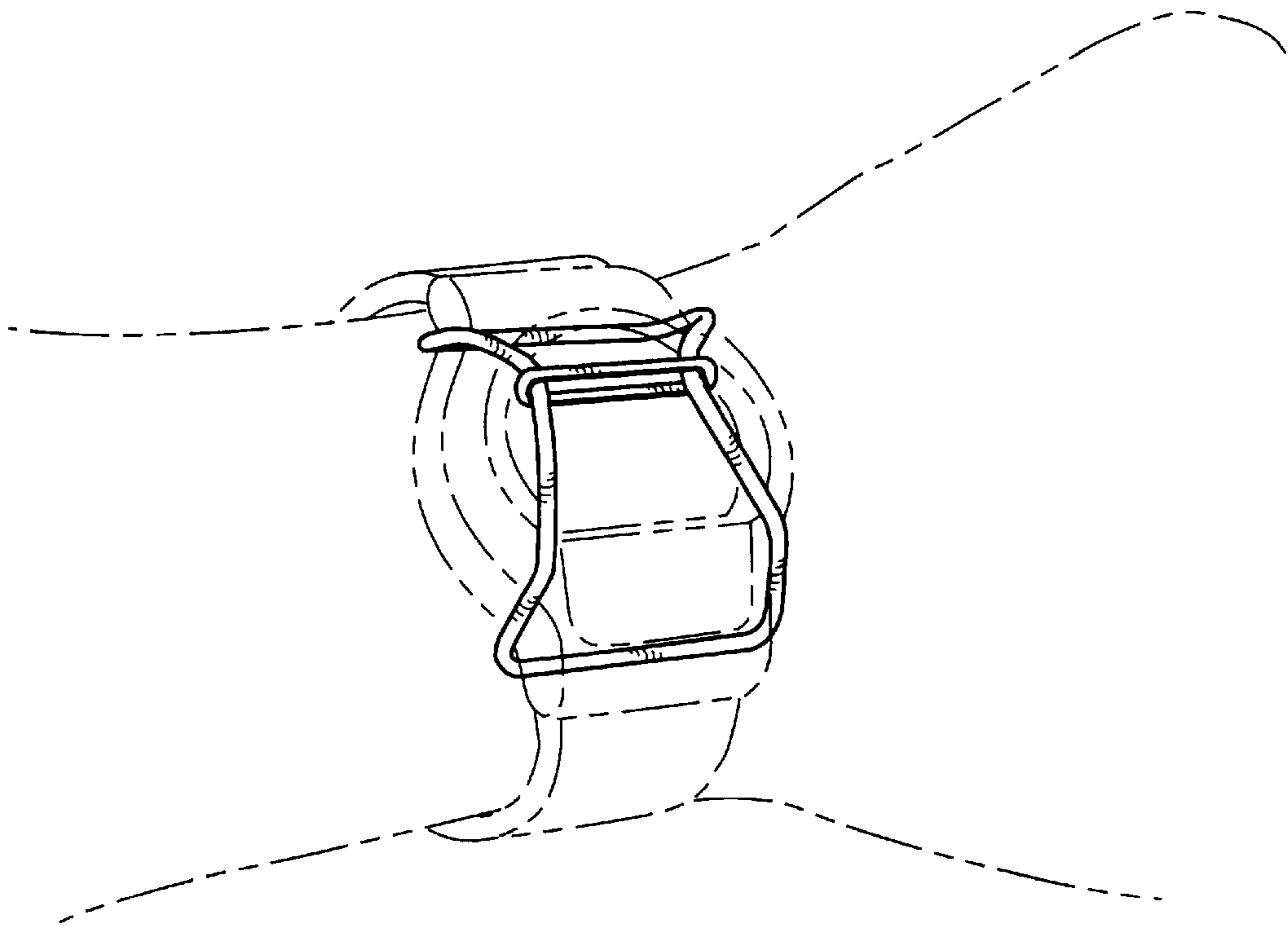


Fig. 8