



US00D410859S

United States Patent [19] Hioki

[11] Patent Number: **Des. 410,859**

[45] Date of Patent: **** Jun. 15, 1999**

[54] **REELING TAPE MEASURE**

4,189,107 2/1980 Quenot et al. 242/396.2
4,251,038 2/1981 Gename 242/396.2

[75] Inventor: **Shuzo Hioki**, Kyoto, Japan

[73] Assignee: **KDS Corp.**, Kyoto, Japan

Primary Examiner—Antoine Duval Davis
Attorney, Agent, or Firm—Jeffrey B. Oster; Brian J. Deagle

[**] Term: **14 Years**

[57] CLAIM

[21] Appl. No.: **29/093,673**

The ornamental design for a reeling tape measure, as shown and described.

[22] Filed: **Sep. 16, 1998**

DESCRIPTION

[51] **LOC (6) Cl.** **10-04**

[52] **U.S. Cl.** **D10/72**

[58] **Field of Search** D10/72; 242/385.1,
242/390.1, 396.2, 396.7, 397.2

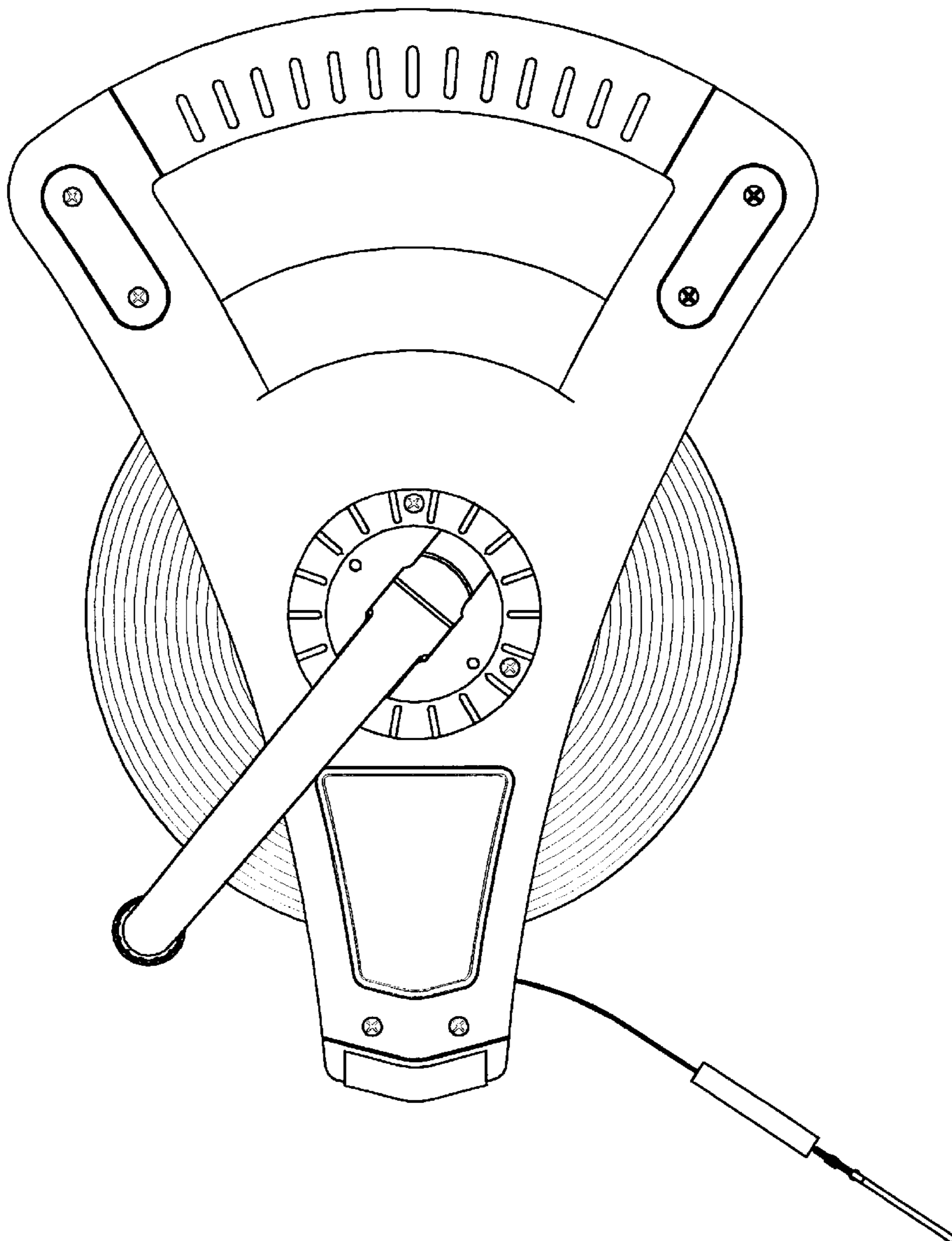
FIG. 1 is a front view of the inventive design.
FIG. 2 is a side view of the left side of the inventive design.
FIG. 3 is a side view of the right side of the inventive design.
FIG. 4 is a rear view of the inventive design.
FIG. 5 is a top view of the inventive design; and,
FIG. 6 is a bottom view of the inventive design.

[56] References Cited

U.S. PATENT DOCUMENTS

D. 377,911 2/1997 Ogasawara D10/72

1 Claim, 6 Drawing Sheets



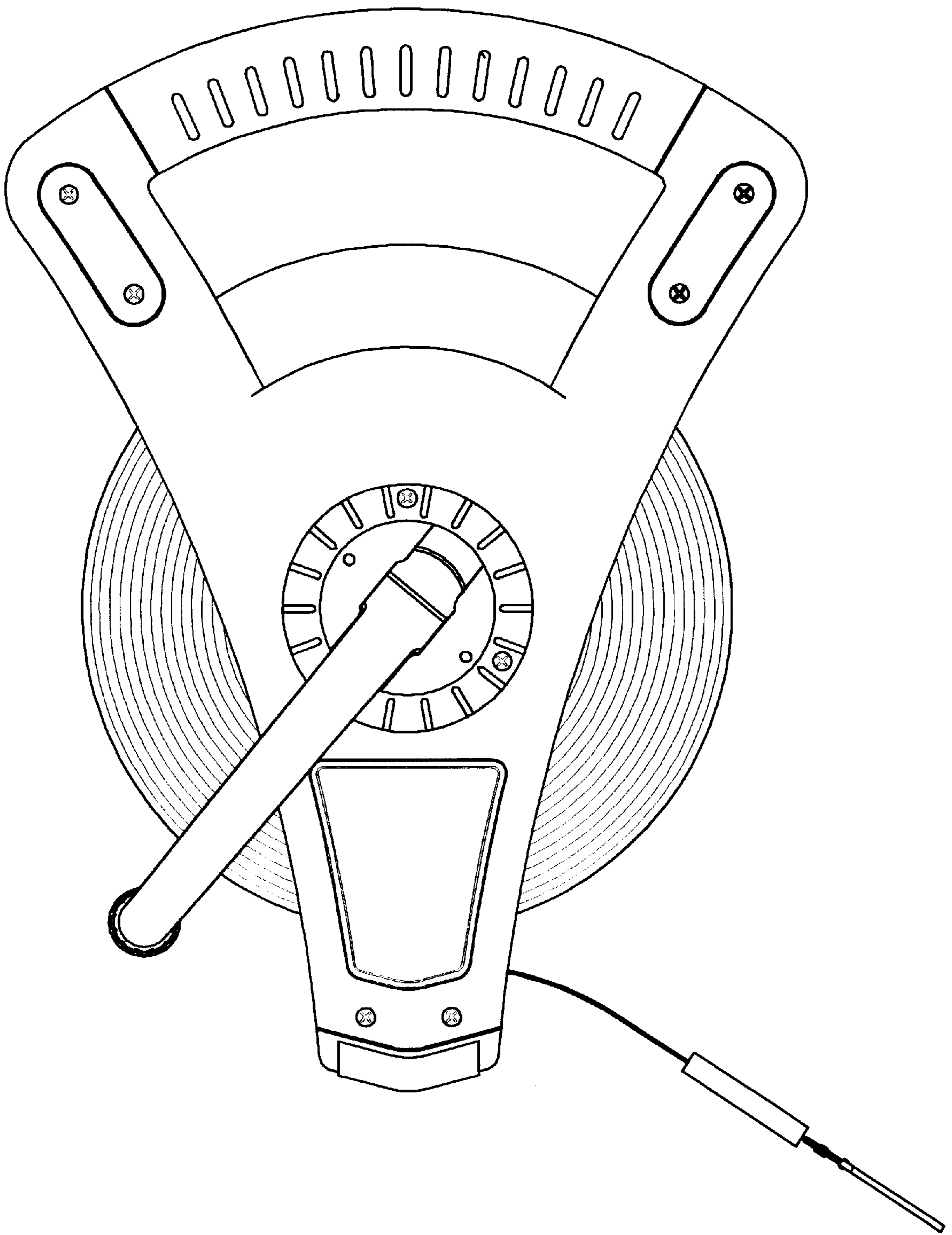


FIG. 1

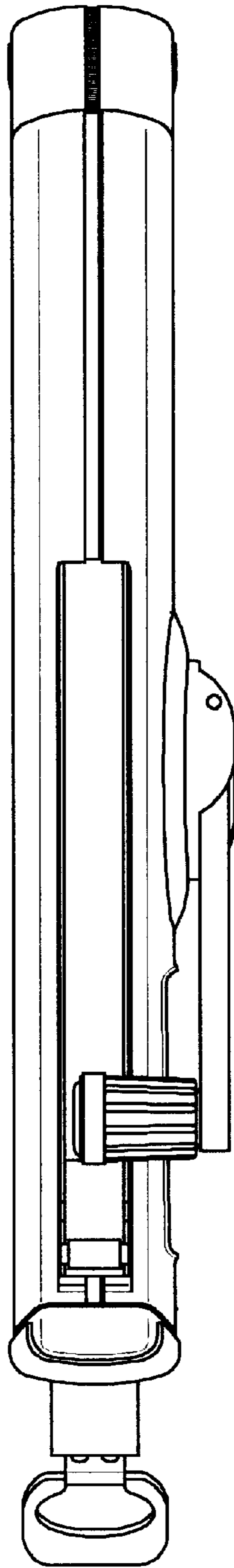


FIG. 2

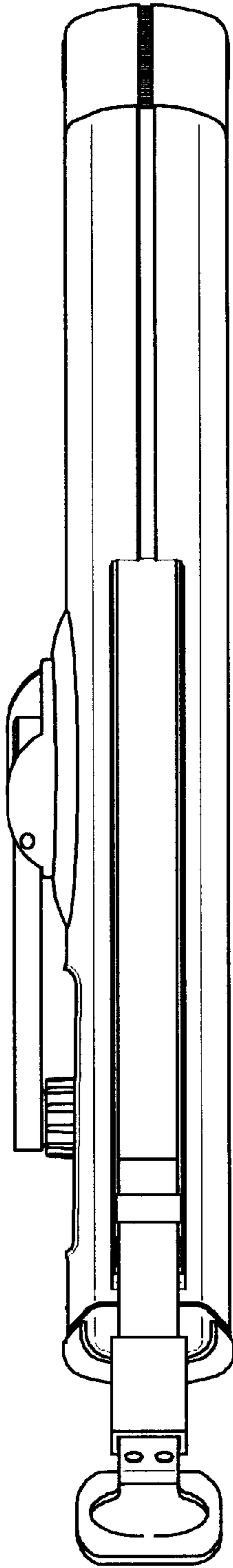


FIG. 3

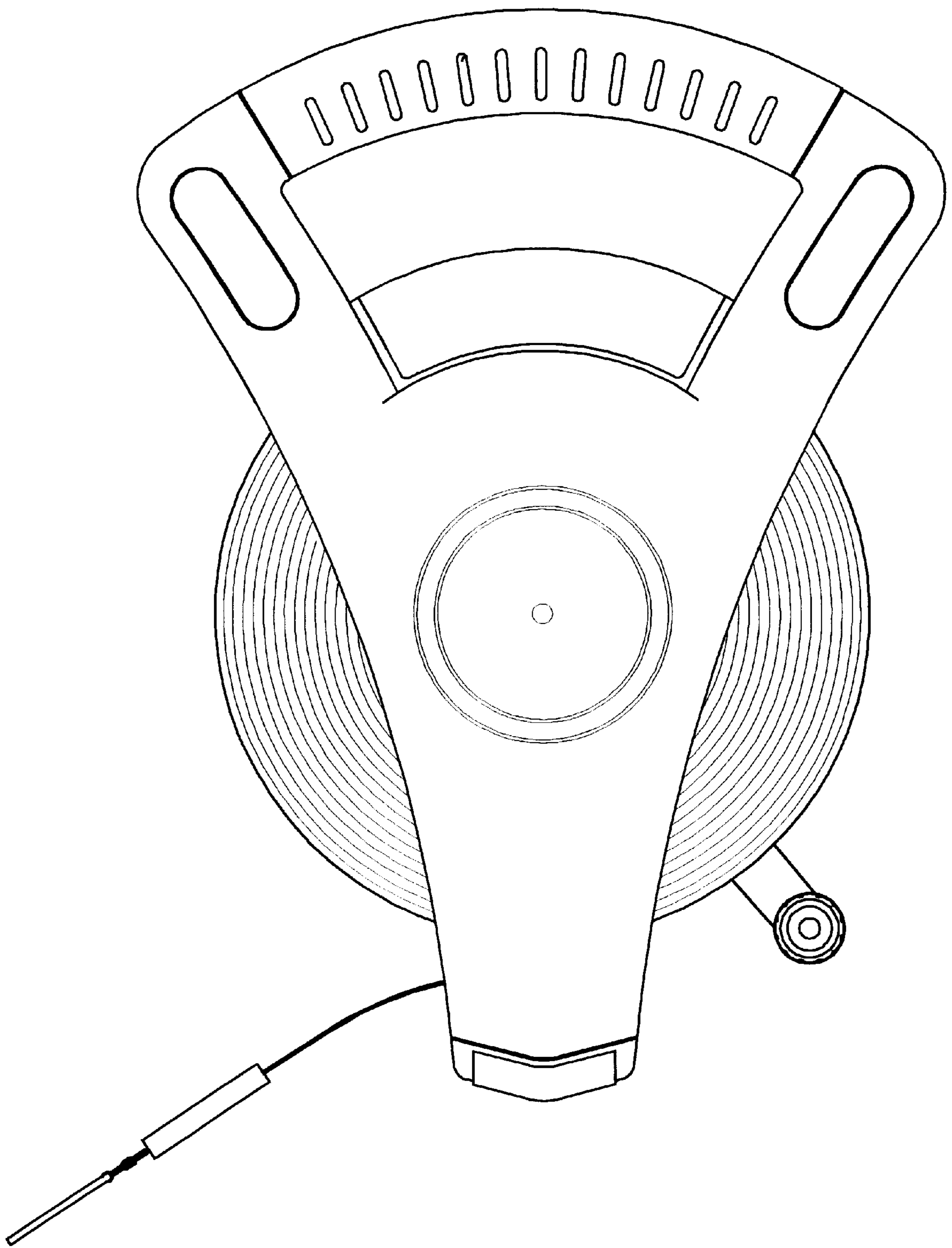


FIG. 4

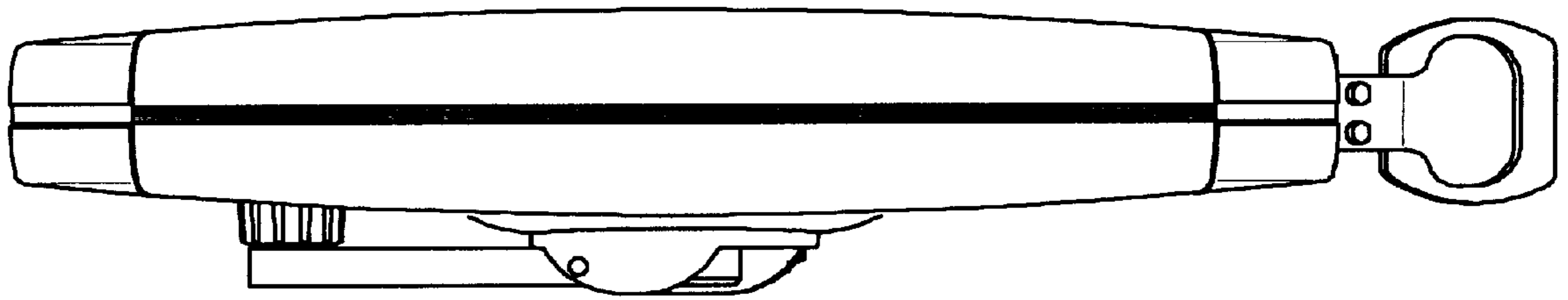


FIG. 5

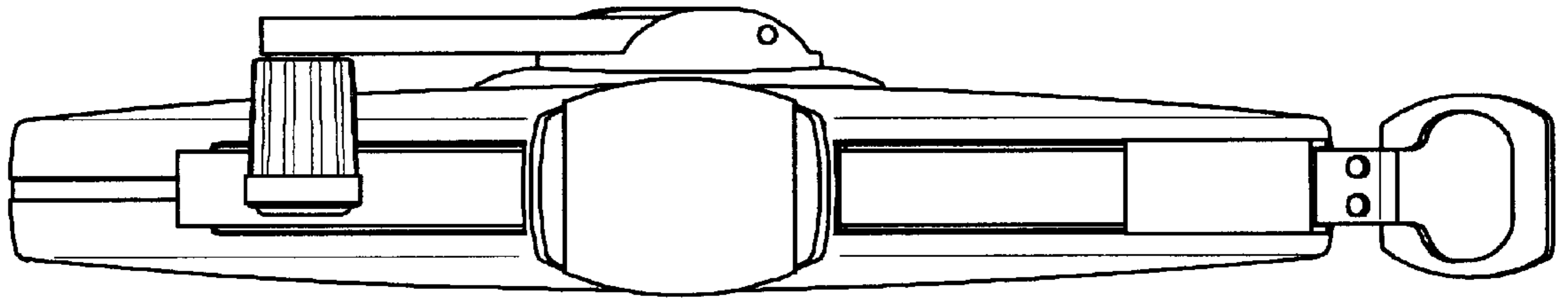


FIG. 6