



US00D410855S

# United States Patent [19] Gordon

[11] **Patent Number: Des. 410,855**  
[45] **Date of Patent: \*\* Jun. 15, 1999**

## [54] CONTROL UNIT FOR EVAPORATIVE COOLER

[75] Inventor: **David Malcolm Gordon**, Wayville, Australia

[73] Assignee: **F F Seeley Nominees Ltd Pty**, St. Marys, Australia

[\*\*] Term: **14 Years**

[21] Appl. No.: **29/082,090**

[22] Filed: **Jan. 14, 1998**

### [30] Foreign Application Priority Data

Jul. 15, 1997 [AU] Australia ..... 2239/97

[51] **LOC (6) Cl.** ..... **10-04**

[52] **U.S. Cl.** ..... **D10/49**

[58] **Field of Search** ..... D10/49, 50; 62/127, 62/231; 261/27

### [56] References Cited

#### U.S. PATENT DOCUMENTS

D. 396,812 8/1998 Kuipers ..... D10/49 X  
D. 399,142 10/1998 Leveridge ..... D10/49 X

## FOREIGN PATENT DOCUMENTS

2607/91 9/1991 Australia .

*Primary Examiner*—Antoine Duval Davis  
*Attorney, Agent, or Firm*—Watts, Hoffman, Fisher & Heinke Co. L.P.A.

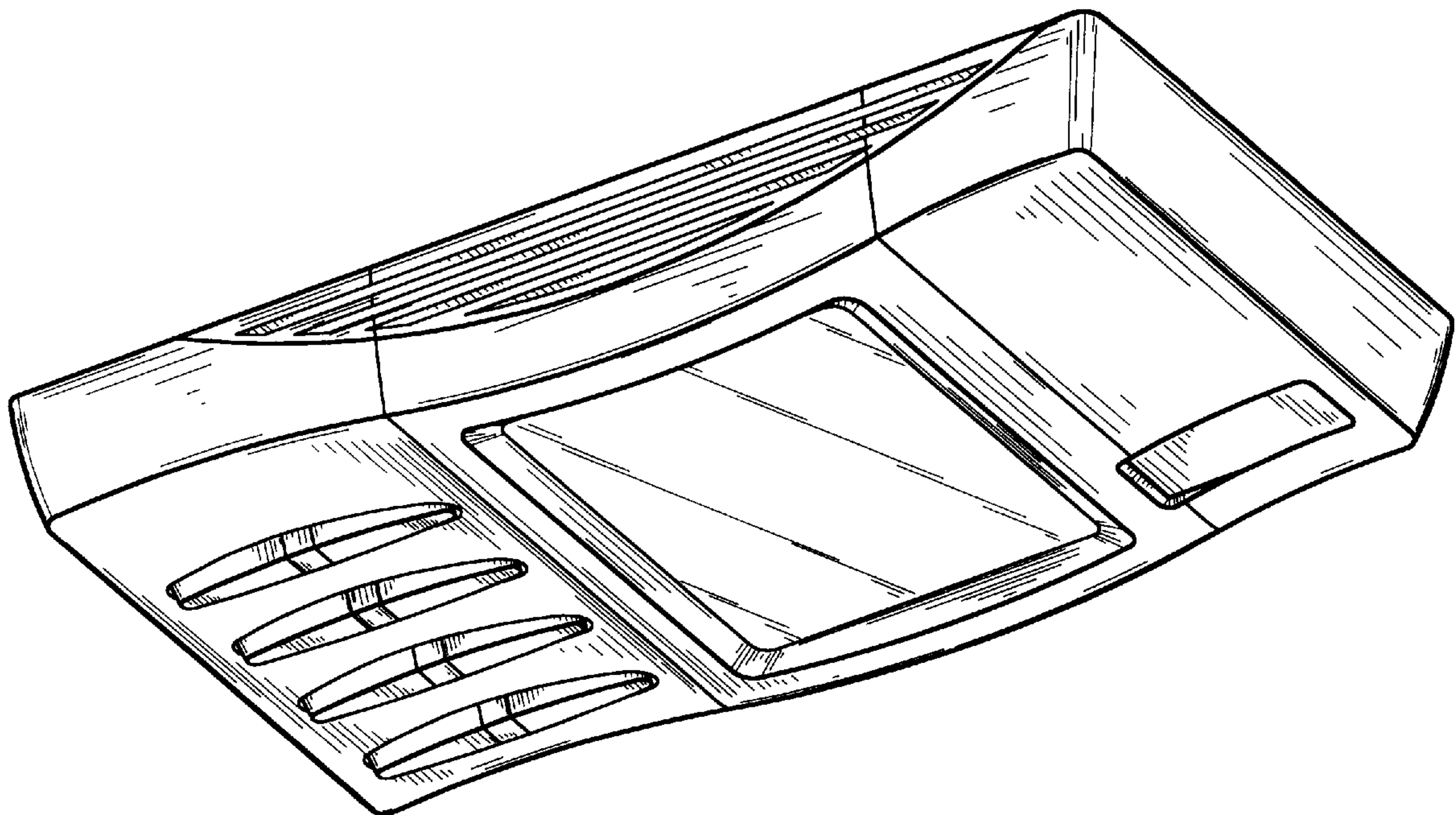
## [57] CLAIM

The ornamental design for a control unit for evaporative cooler, as shown and described.

## DESCRIPTION

FIG. 1 is a plan view of the control unit for evaporative cooler;  
FIG. 2 is an end view thereof as seen from the plane indicated by the line 2—2 of FIG. 1;  
FIG. 3 is an end view thereof as seen from the plane indicated by the line 3—3 of FIG. 1;  
FIG. 4 is a top view thereof;  
FIG. 5 is a bottom view thereof;  
FIG. 6 is a perspective view taken from above and to the front thereof; and,  
FIG. 7 is a perspective view taken from below and to the rear thereof.

**1 Claim, 2 Drawing Sheets**



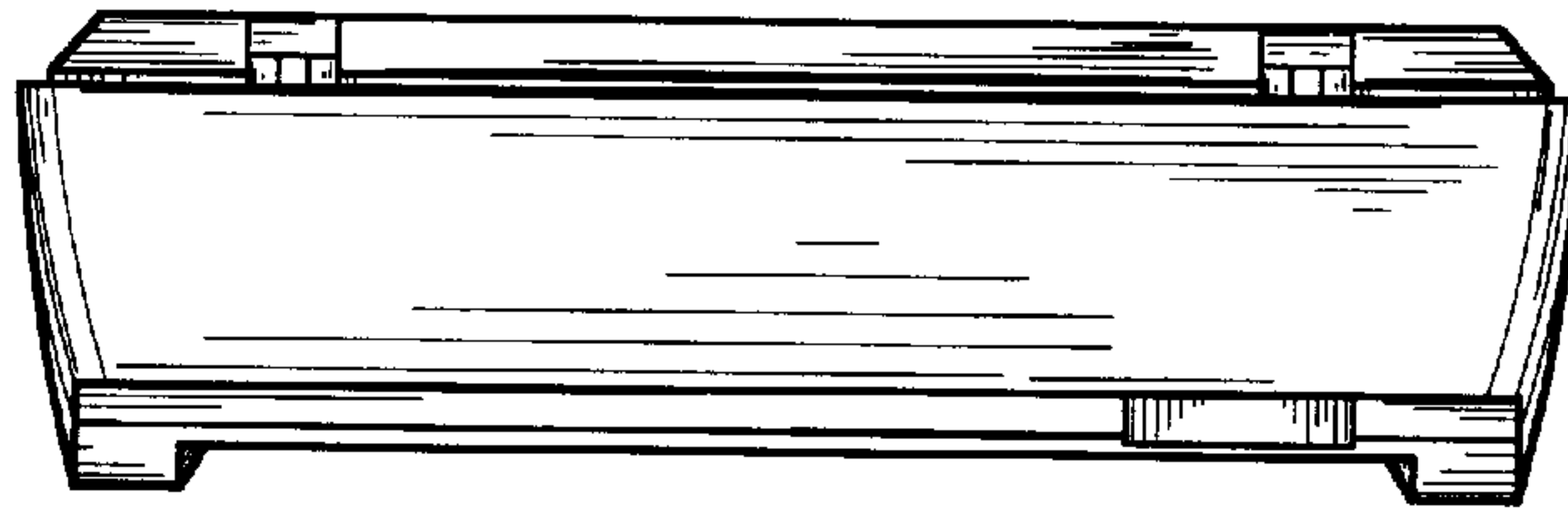


Fig.3

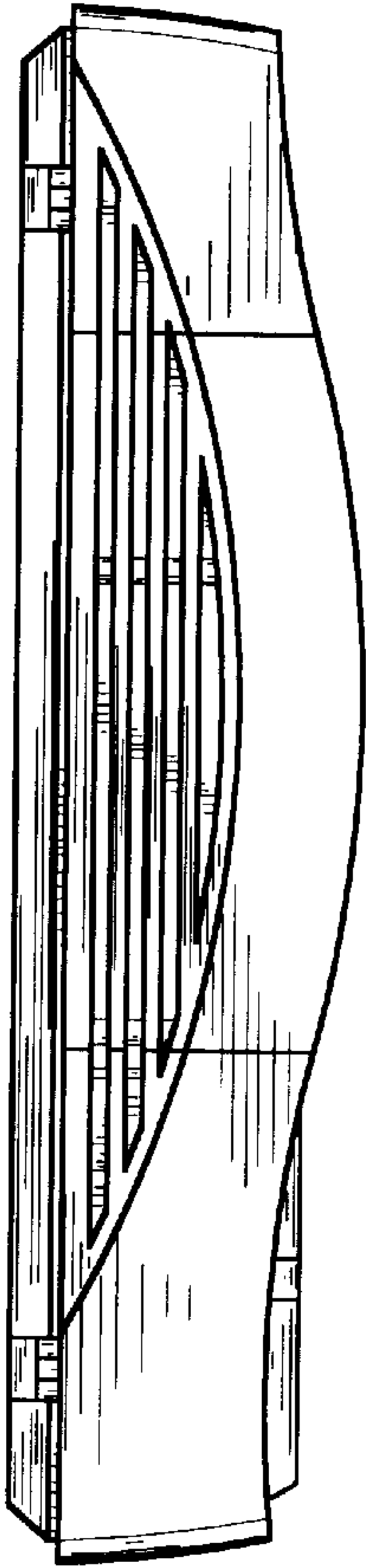


Fig.4

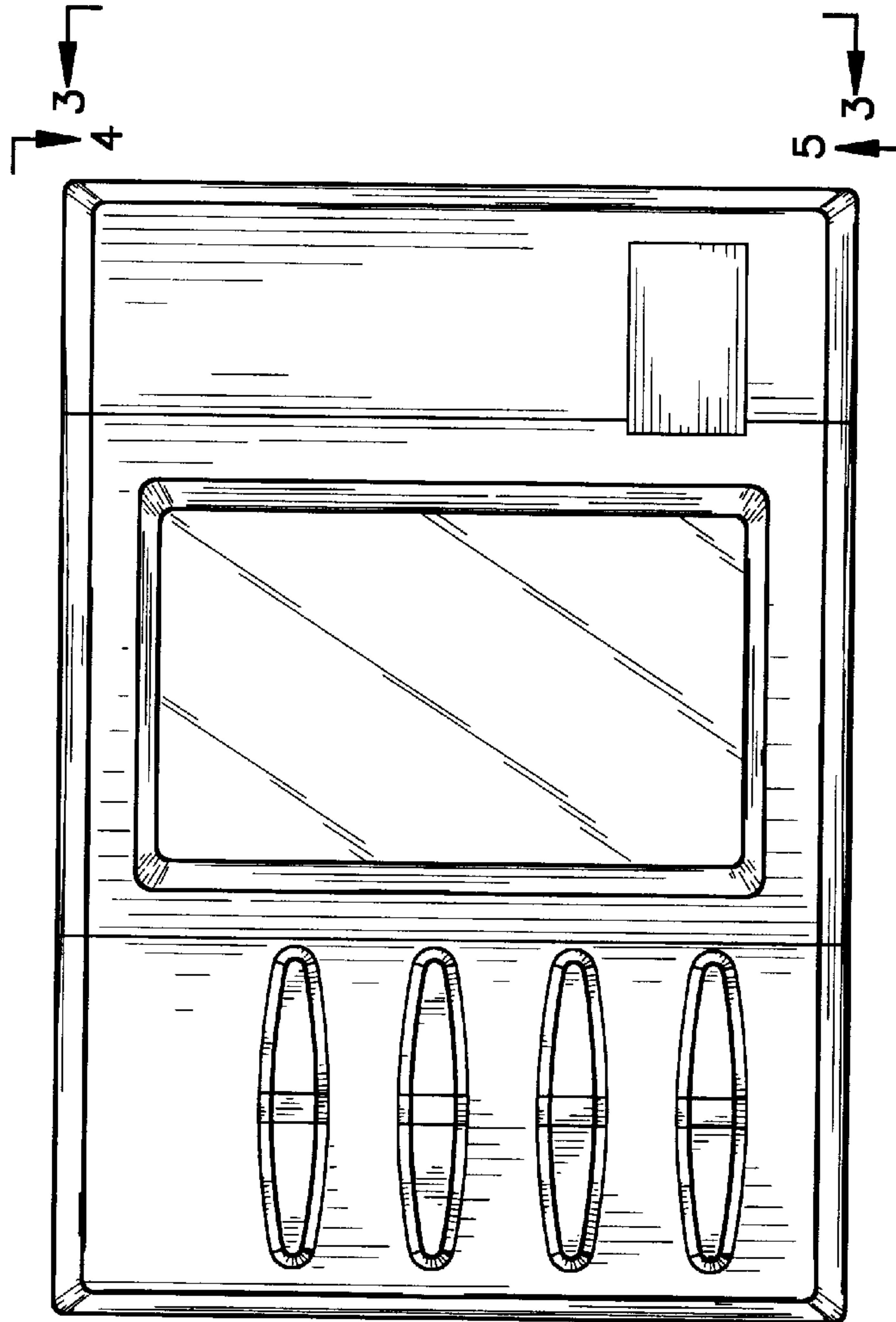


Fig.1

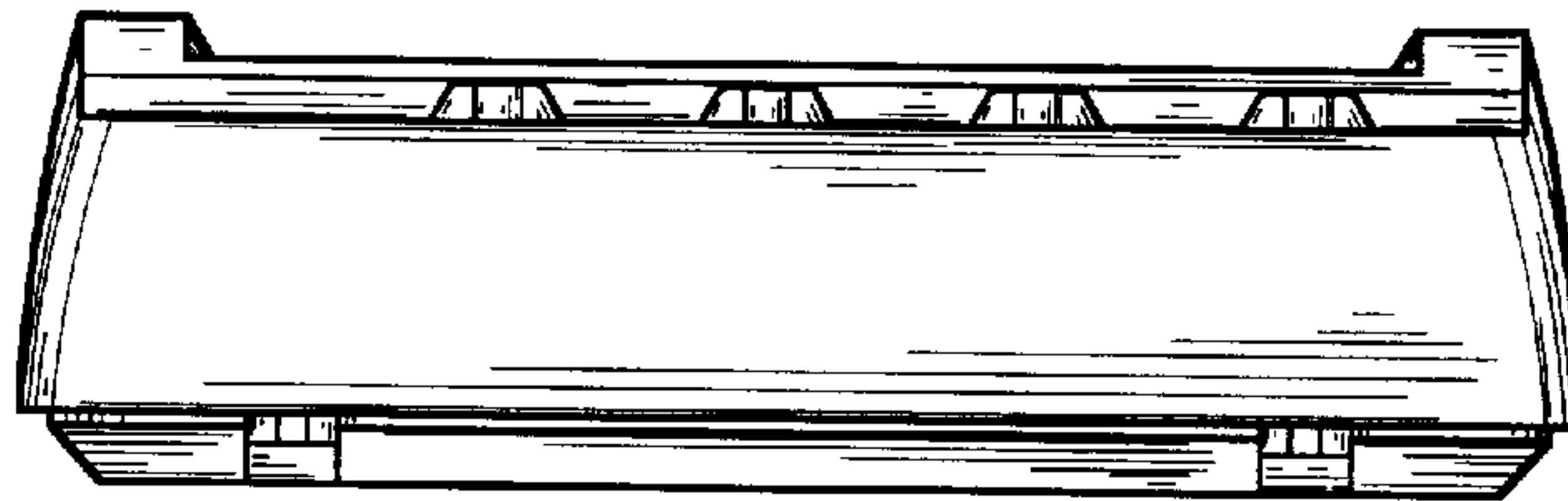


Fig.2

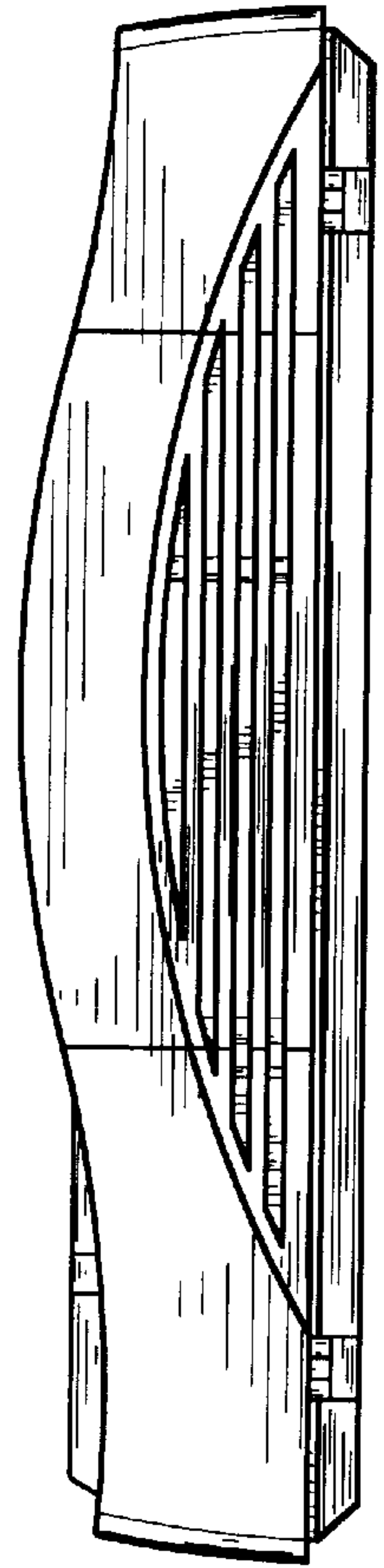


Fig.5

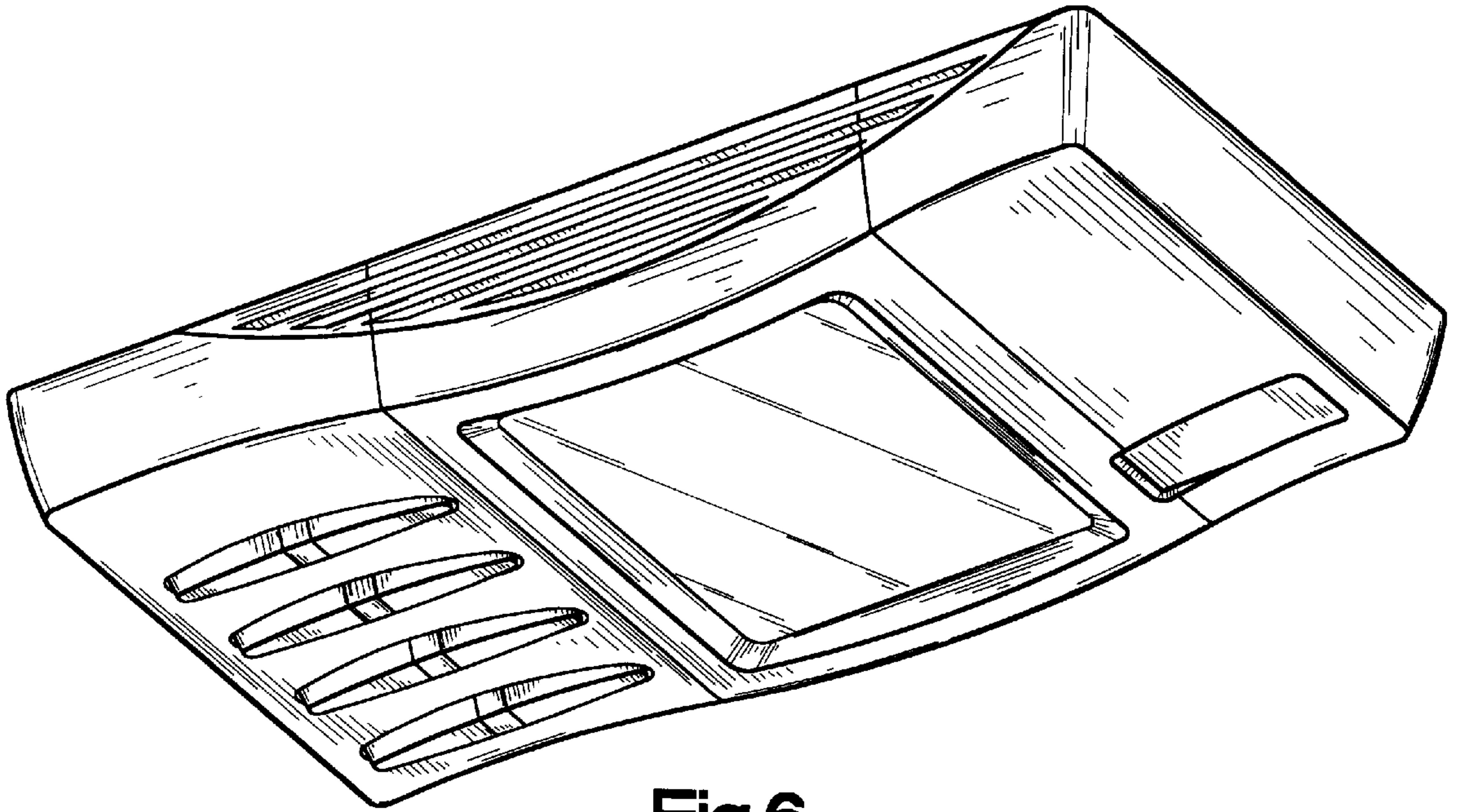


Fig.6

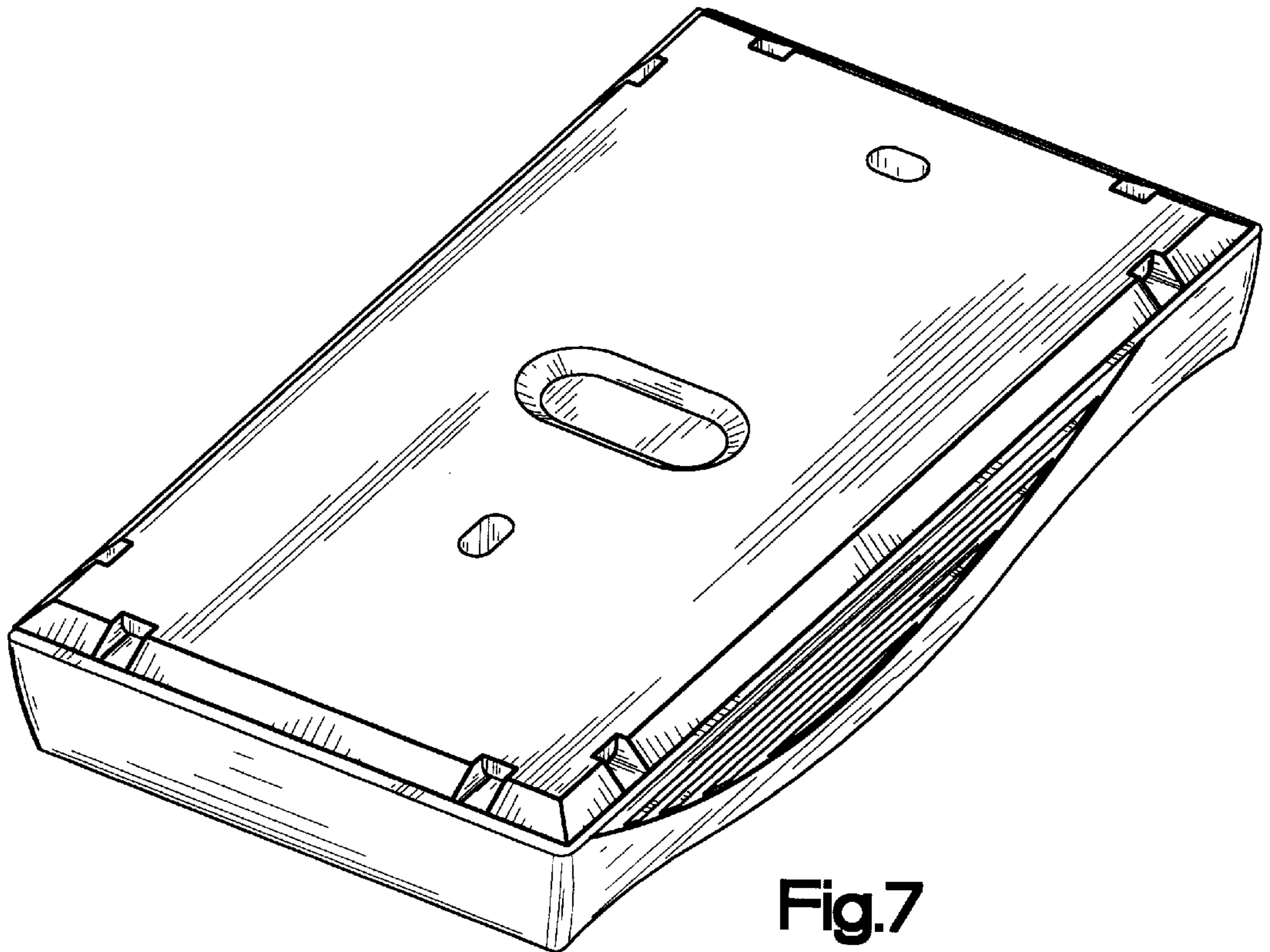


Fig.7