



US00D410852S

United States Patent [19] Riley

[11] **Patent Number: Des. 410,852**

[45] **Date of Patent: ** Jun. 15, 1999**

[54] **WATCH CASING AND BEZEL**

DESCRIPTION

[75] Inventor: **Judith Reichel Riley**, Goshen, Conn.
 [73] Assignee: **Timex Corporation**, Middlebury, Conn.
 [**] Term: **14 Years**
 [21] Appl. No.: **29/094,404**
 [22] Filed: **Oct. 1, 1998**
 [51] **LOC (6) Cl.** **10-02**
 [52] **U.S. Cl.** **D10/30; D10/39**
 [58] **Field of Search** D10/1-40, 122-132;
 368/280-282, 276-277, 285

FIG. 1 is a perspective view of a watch casing and bezel showing my new design;
 FIG. 2 is a left side elevational view thereof;
 FIG. 3 is a top plan view thereof;
 FIG. 4 is a right side elevational view thereof;
 FIG. 5 is a front elevational view thereof;
 FIG. 6 is a rear elevational view thereof;
 FIG. 7 is a bottom plan view;
 FIG. 8 is a perspective view of a watch casing and bezel in accordance with an alternate embodiment of my invention; and,
 FIG. 9 is a top plan view of the watch casing and bezel as illustrated in FIG. 8.
 The left side elevational view of this alternate embodiment being identical to the illustration of FIG. 2;
 The right side elevational view of this alternate embodiment being identical to the illustration of FIG. 4;
 The front elevational view of this alternate embodiment being identical to the illustration of FIG 5;
 The rear elevational view of this alternate embodiment being identical to the illustration of FIG. 6; and
 The bottom plan view of this alternate embodiment being identical to the illustration of FIG. 7.

[56] **References Cited**

U.S. PATENT DOCUMENTS

D. 355,372 2/1995 Riley D10/30
 D. 387,997 12/1997 Dubashi D10/30
 D. 400,804 11/1998 Riley D10/30

Primary Examiner—Nelson C. Holtje
Attorney, Agent, or Firm—Arthur G. Schailer

[57] **CLAIM**

The ornamental design for a “watch casing and bezel”, as shown and described.

1 Claim, 3 Drawing Sheets

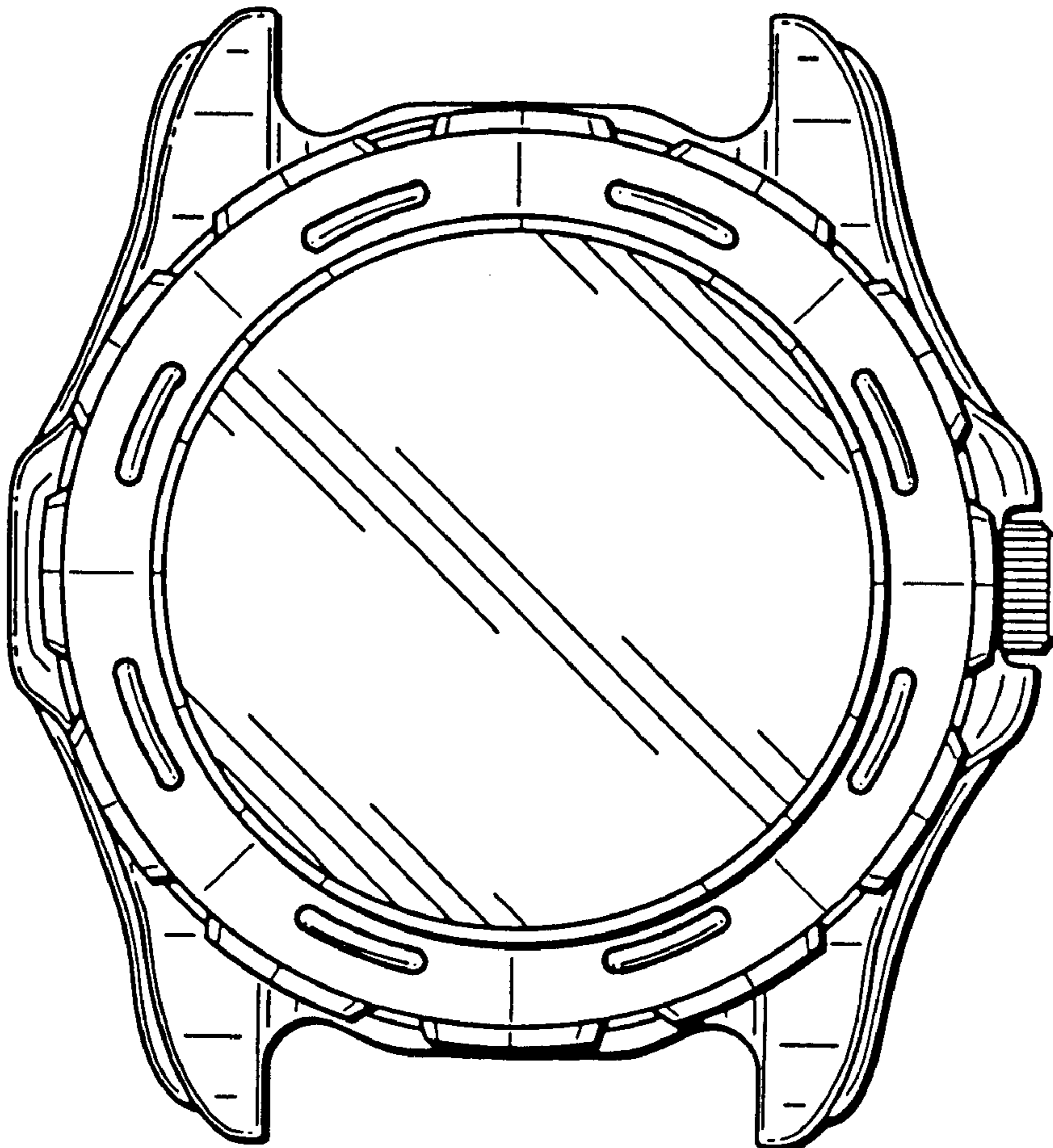


FIG. 1

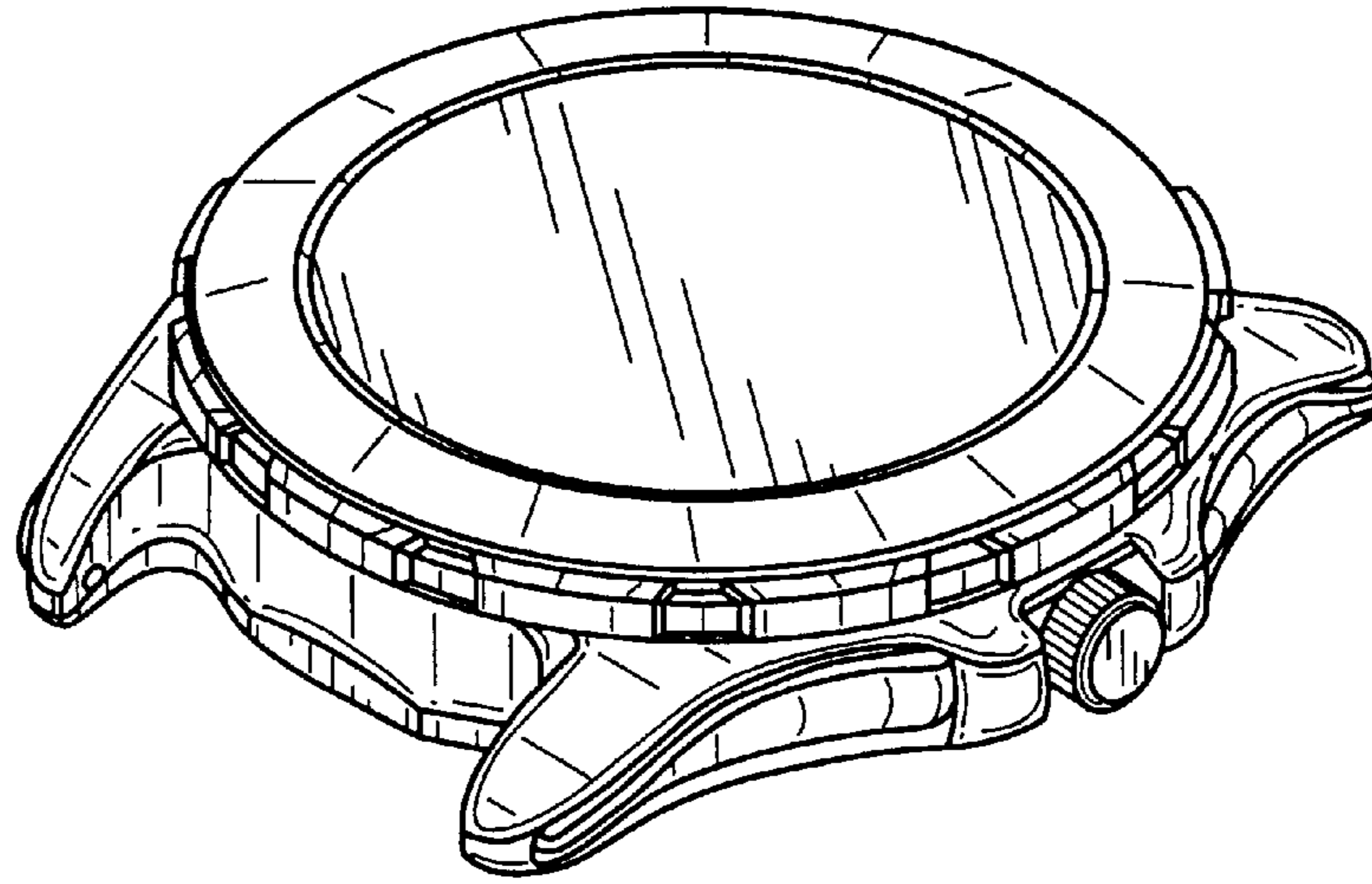


FIG. 7

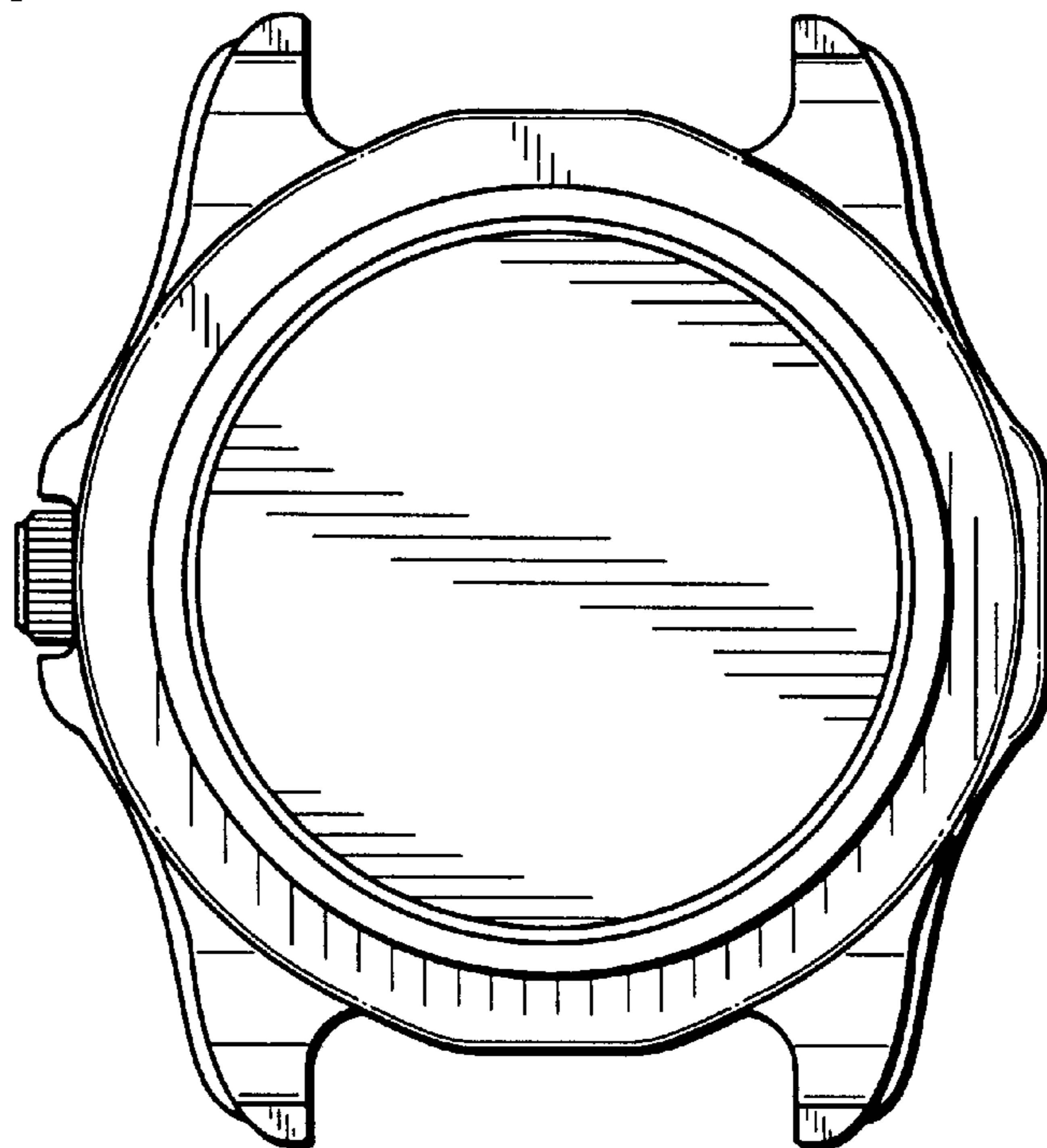


FIG. 2

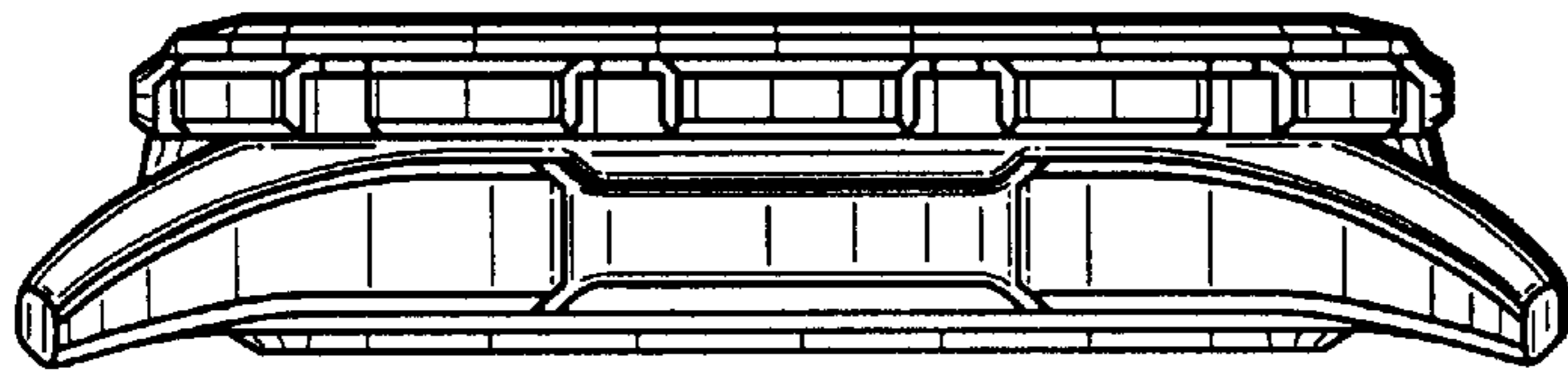


FIG. 3

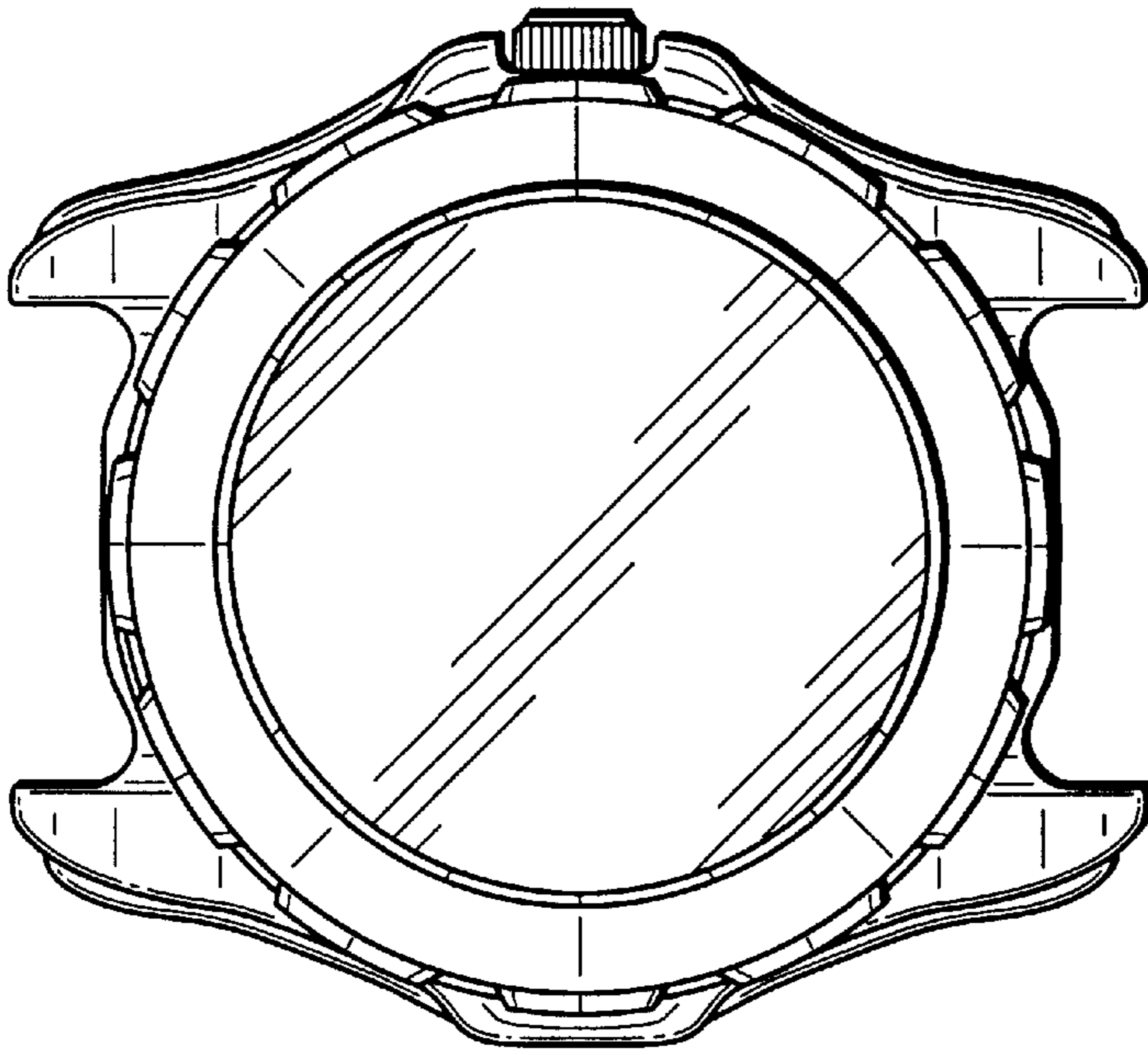


FIG. 4

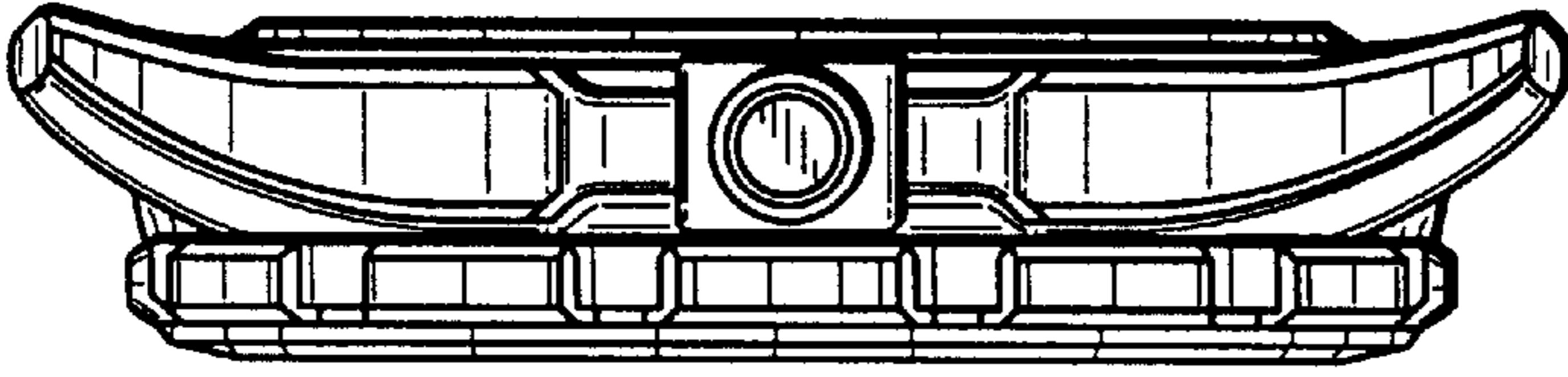


FIG. 5

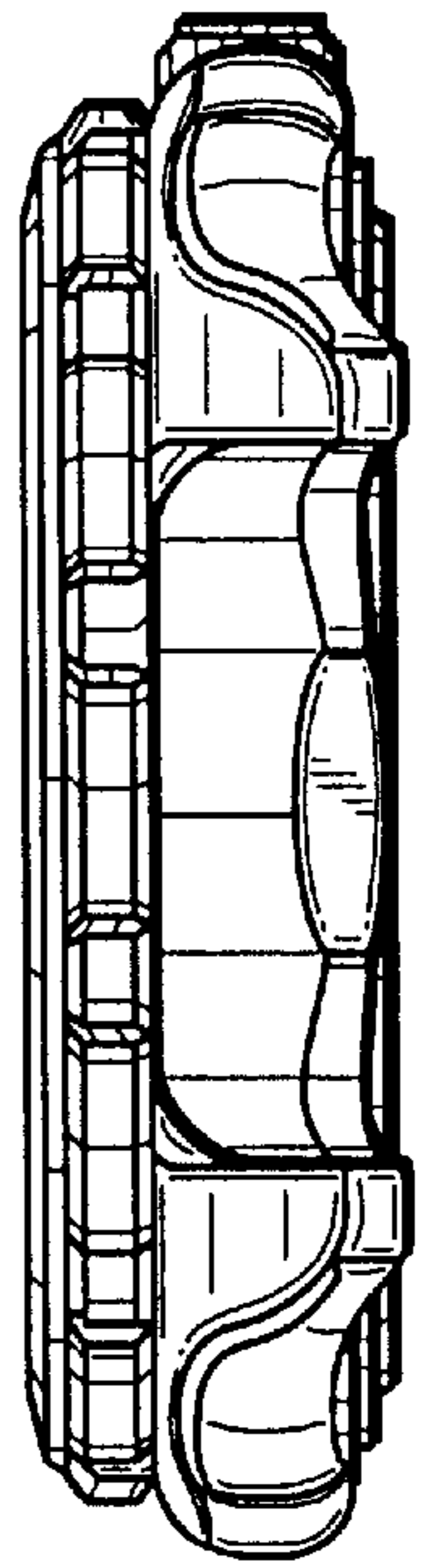


FIG. 6

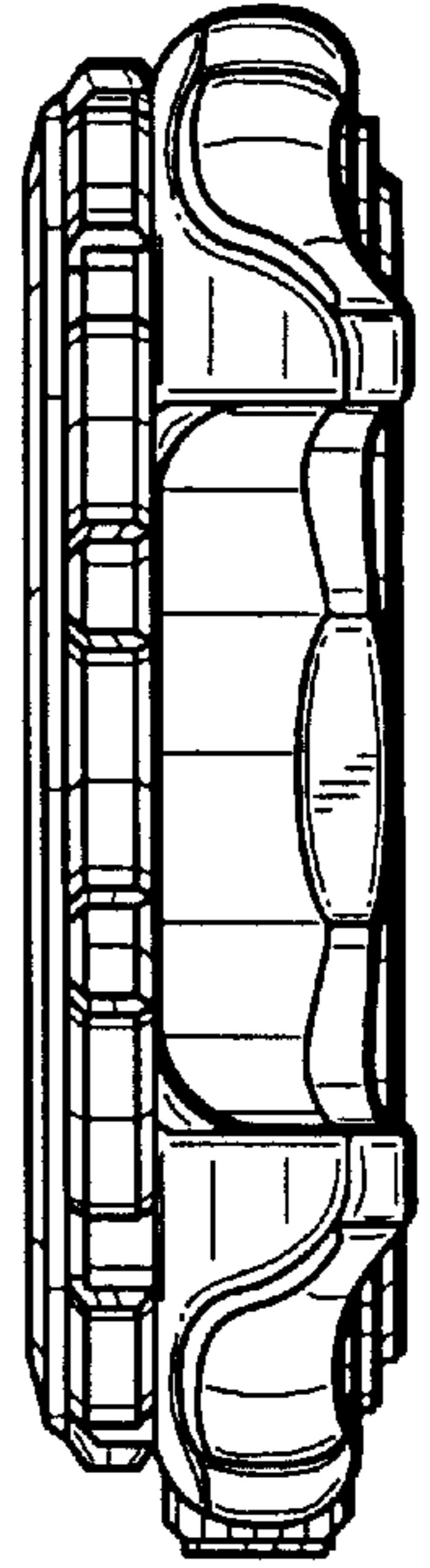


FIG. 8

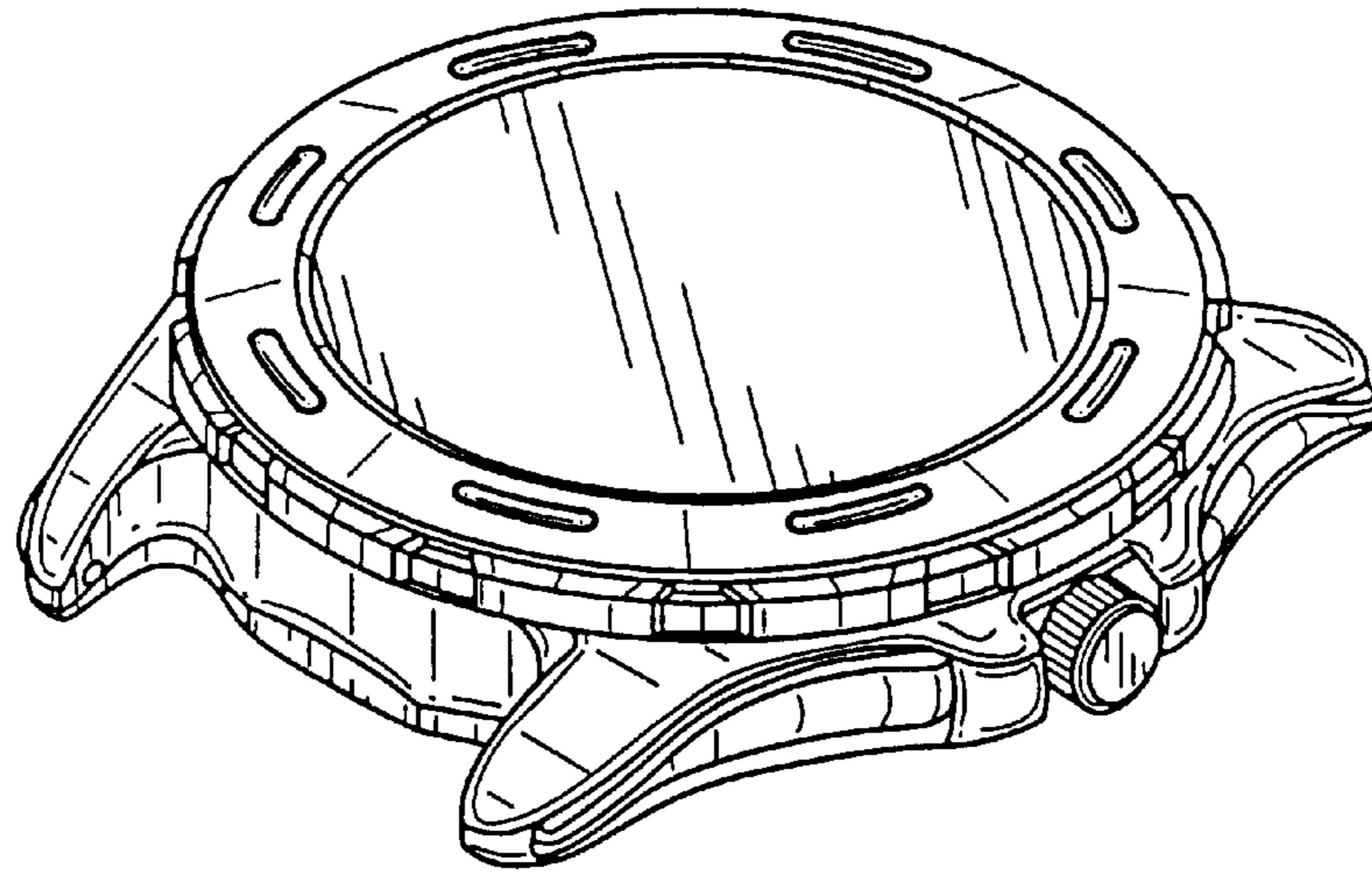


FIG. 9

