



US00D410848S

**United States Patent** [19]  
**Daniels**

[11] **Patent Number: Des. 410,848**  
[45] **Date of Patent: \*\* Jun. 8, 1999**

[54] **PET GRAVE MARKER**

[76] Inventor: **J. Lewis Daniels**, 135 Sondley Pkwy.,  
Asheville, N.C. 28805

[\*\*] Term: **14 Years**

[21] Appl. No.: **29/090,739**

[22] Filed: **Jul. 15, 1998**

[51] **LOC (6) Cl.** ..... **19-00**

[52] **U.S. Cl.** ..... **D99/17**

[58] **Field of Search** ..... D99/17, 19; D25/20,  
D25/33; 52/38, 103; D8/350, 352, 353;  
40/124.5; 27/1

[56] **References Cited**

**U.S. PATENT DOCUMENTS**

D. 247,844	5/1978	Palm, Jr. ....	D8/352
D. 381,182	7/1997	Whited .....	D99/17
D. 390,322	2/1998	Weiss .....	D99/17
1,469,459	10/1923	Quigley .....	40/124.5
1,997,087	4/1935	Sisson et al. .	
2,046,594	7/1936	Walton .	
2,095,290	10/1937	Roy .	
2,125,699	8/1938	Updike .	
2,312,859	3/1943	Zentmyer .....	40/124.5
3,045,374	7/1962	Lucken et al. .	
3,082,559	3/1963	Davis .	
3,423,864	1/1969	Wilson .....	40/124.5
3,604,172	9/1971	Matvey .	
3,758,999	9/1973	Matvey .	
3,997,948	12/1976	Hicks et al. .	
5,740,637	4/1998	Snow .....	52/103 X

*Primary Examiner*—Paula A. Mortimer  
*Attorney, Agent, or Firm*—Carter & Schmedler, P.A.

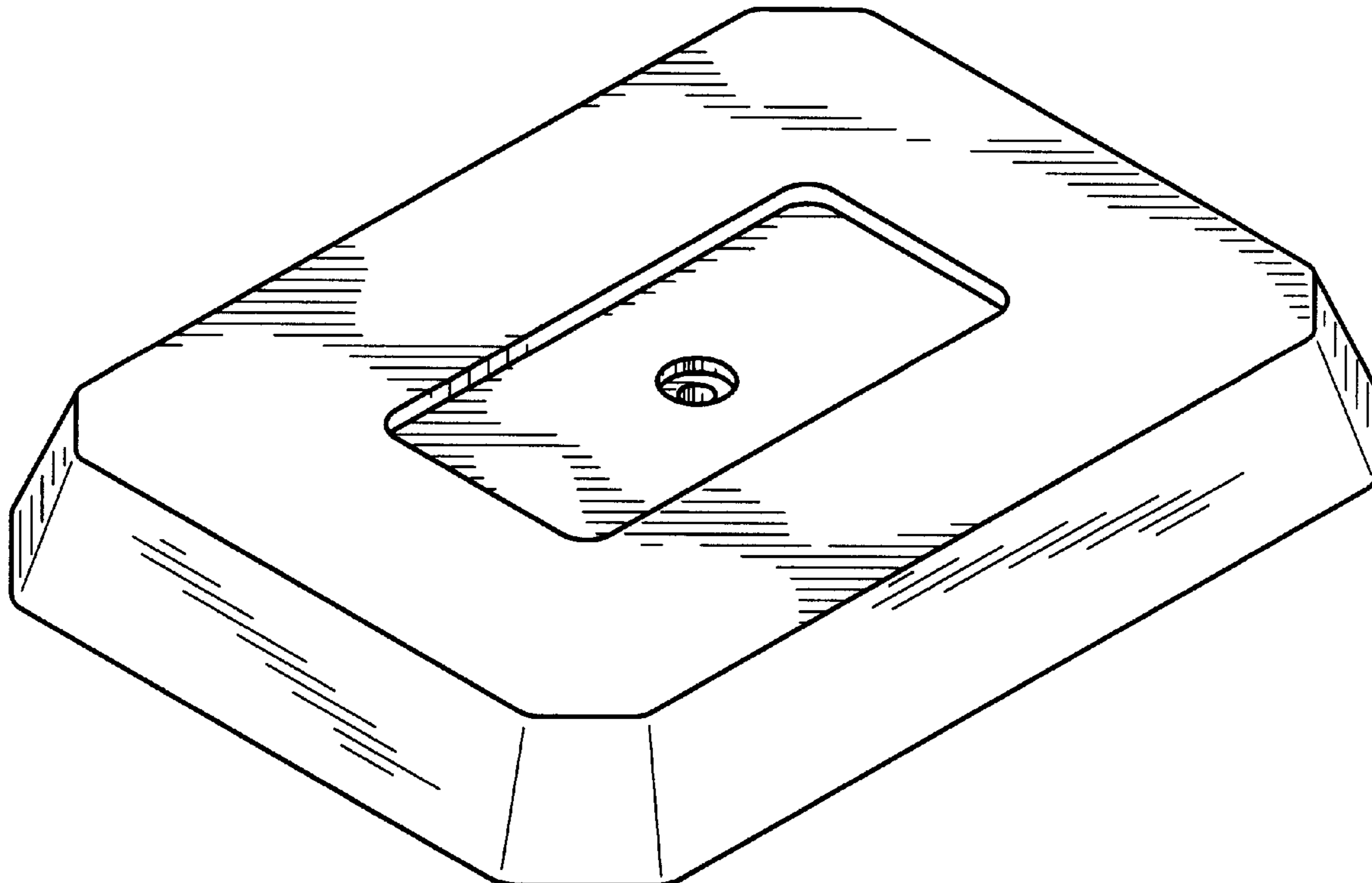
[57] **CLAIM**

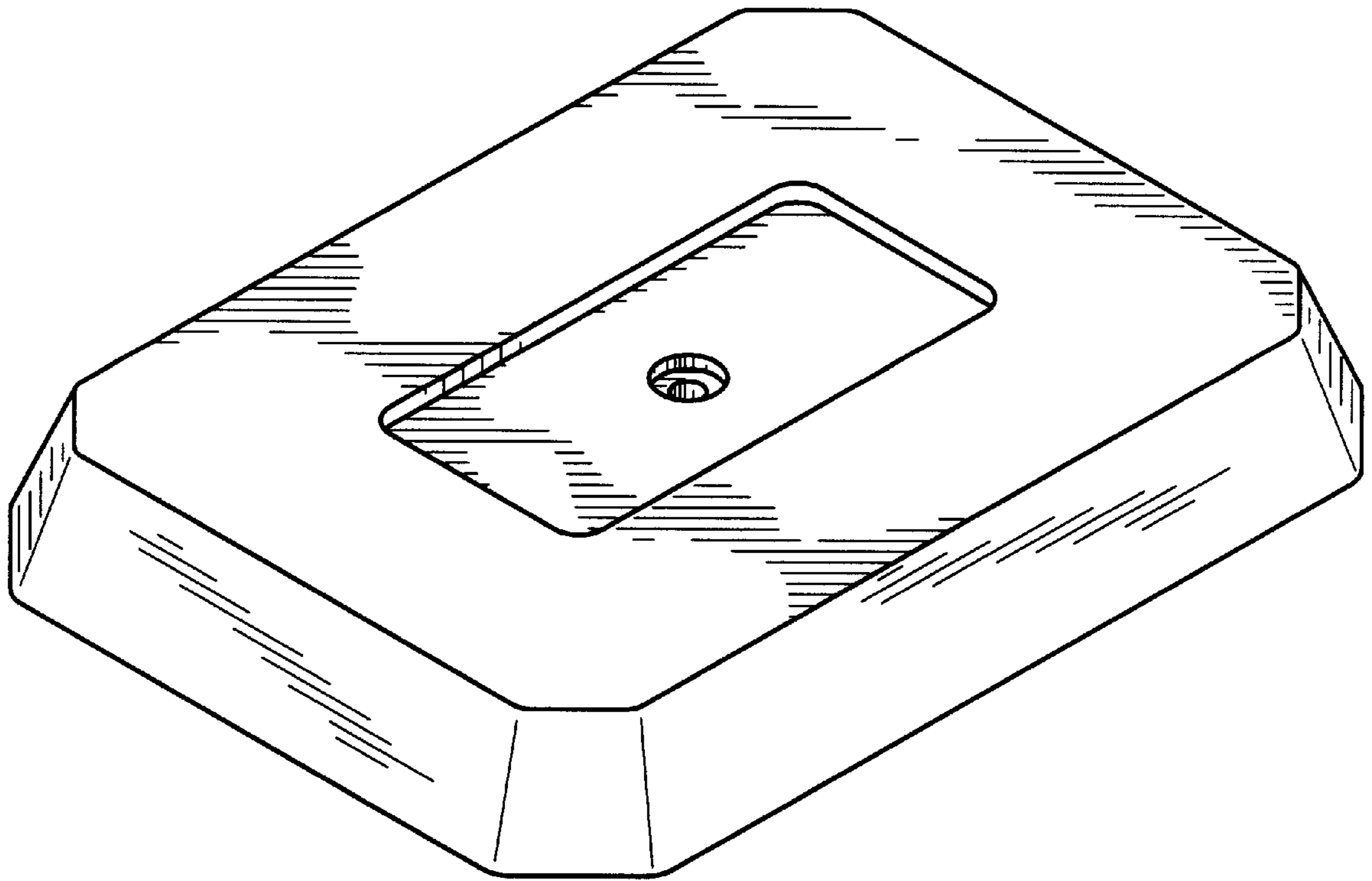
The ornamental design for a pet grave marker, as shown.

**DESCRIPTION**

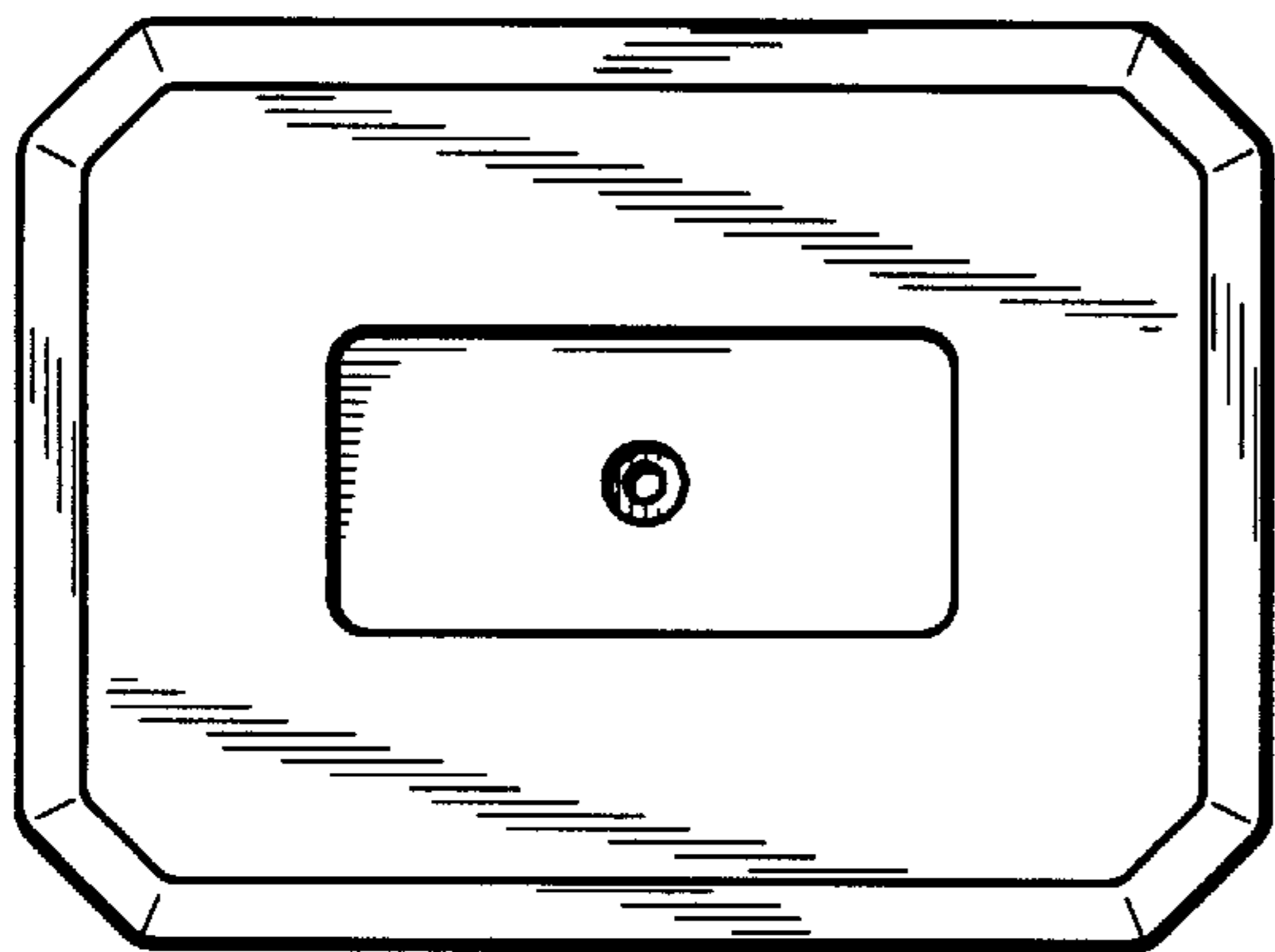
FIG. 1 is a perspective view showing a first embodiment of my new design;  
 FIG. 2 is a top view of the first embodiment;  
 FIG. 3 is a bottom view of the first embodiment;  
 FIG. 4 is a front view of the first embodiment;  
 FIG. 5 is a side view of the first embodiment;  
 FIG. 6 is a perspective view showing a second embodiment of my new design;  
 FIG. 7 is a top view of the second embodiment;  
 FIG. 8 is a bottom view of the second embodiment;  
 FIG. 9 is a front view of the second embodiment;  
 FIG. 10 is a side view of the second embodiment;  
 FIG. 11 is a perspective view showing a third embodiment of my new design;  
 FIG. 12 is a top view of the third embodiment;  
 FIG. 13 is a bottom view of the third embodiment;  
 FIG. 14 is a front view of the third embodiment;  
 FIG. 15 is a side view of the third embodiment;  
 FIG. 16 is a perspective view showing a fourth embodiment of my new design;  
 FIG. 17 is a top view of the fourth embodiment;  
 FIG. 18 is a bottom view of the fourth embodiment;  
 FIG. 19 is a front view of the fourth embodiment; and,  
 FIG. 20 is a side view of the fourth embodiment.

**1 Claim, 8 Drawing Sheets**

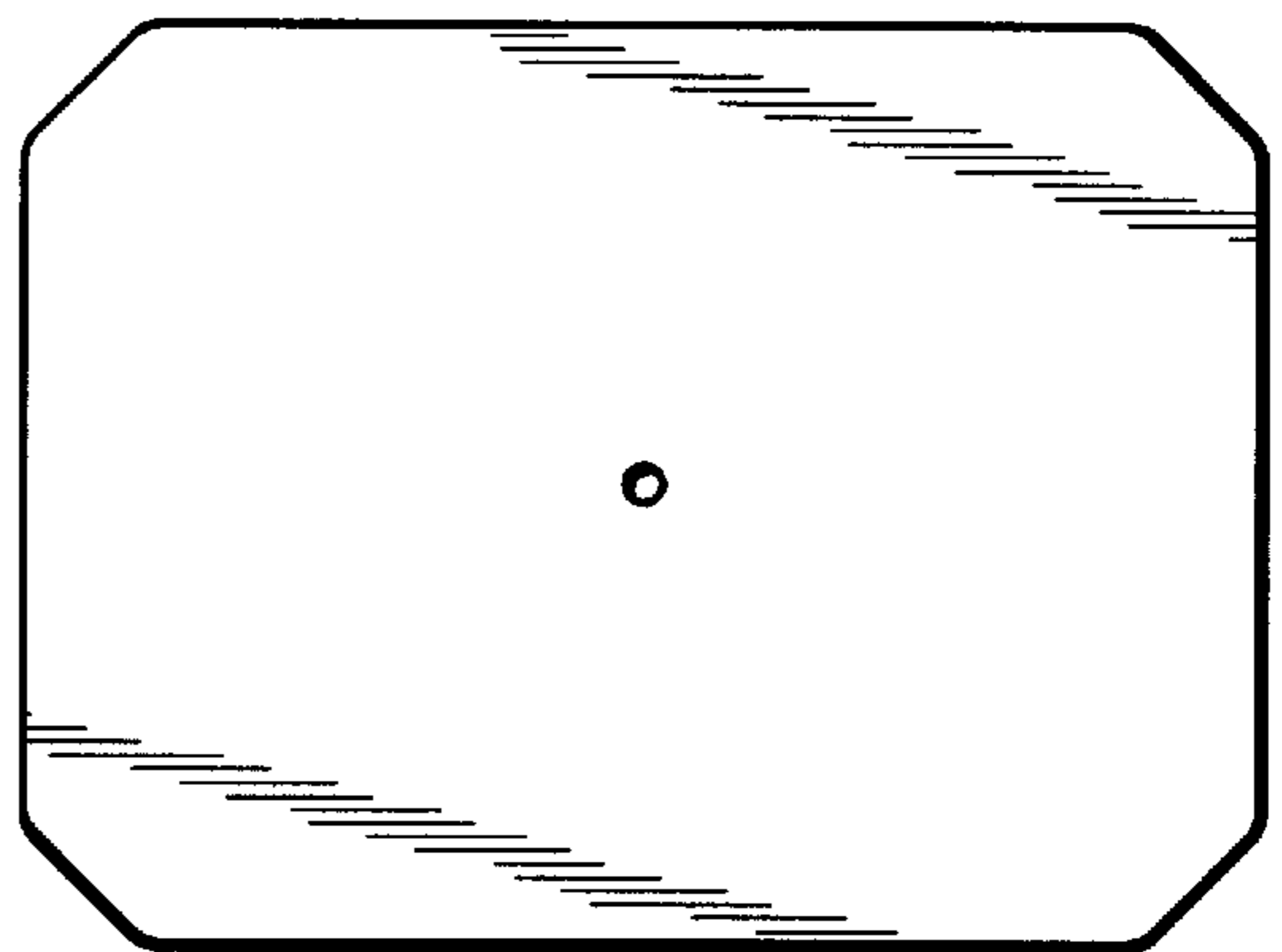




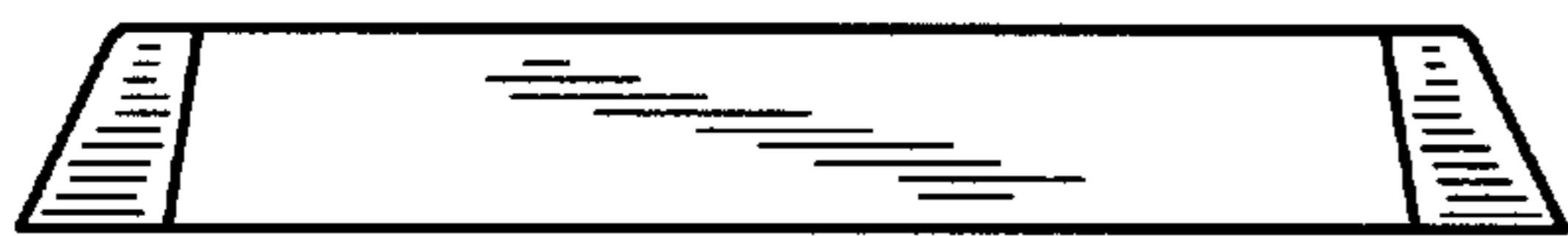
*Fig. 1*



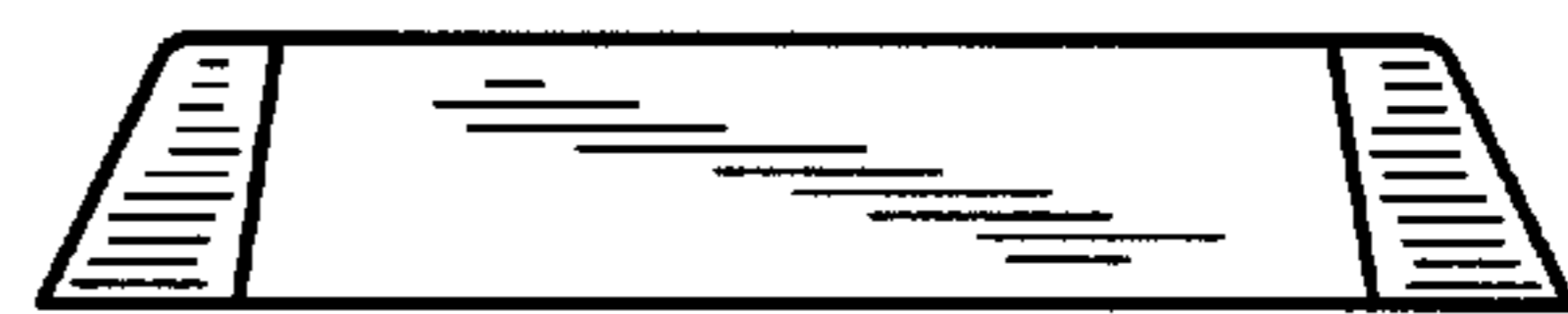
*Fig. 2*



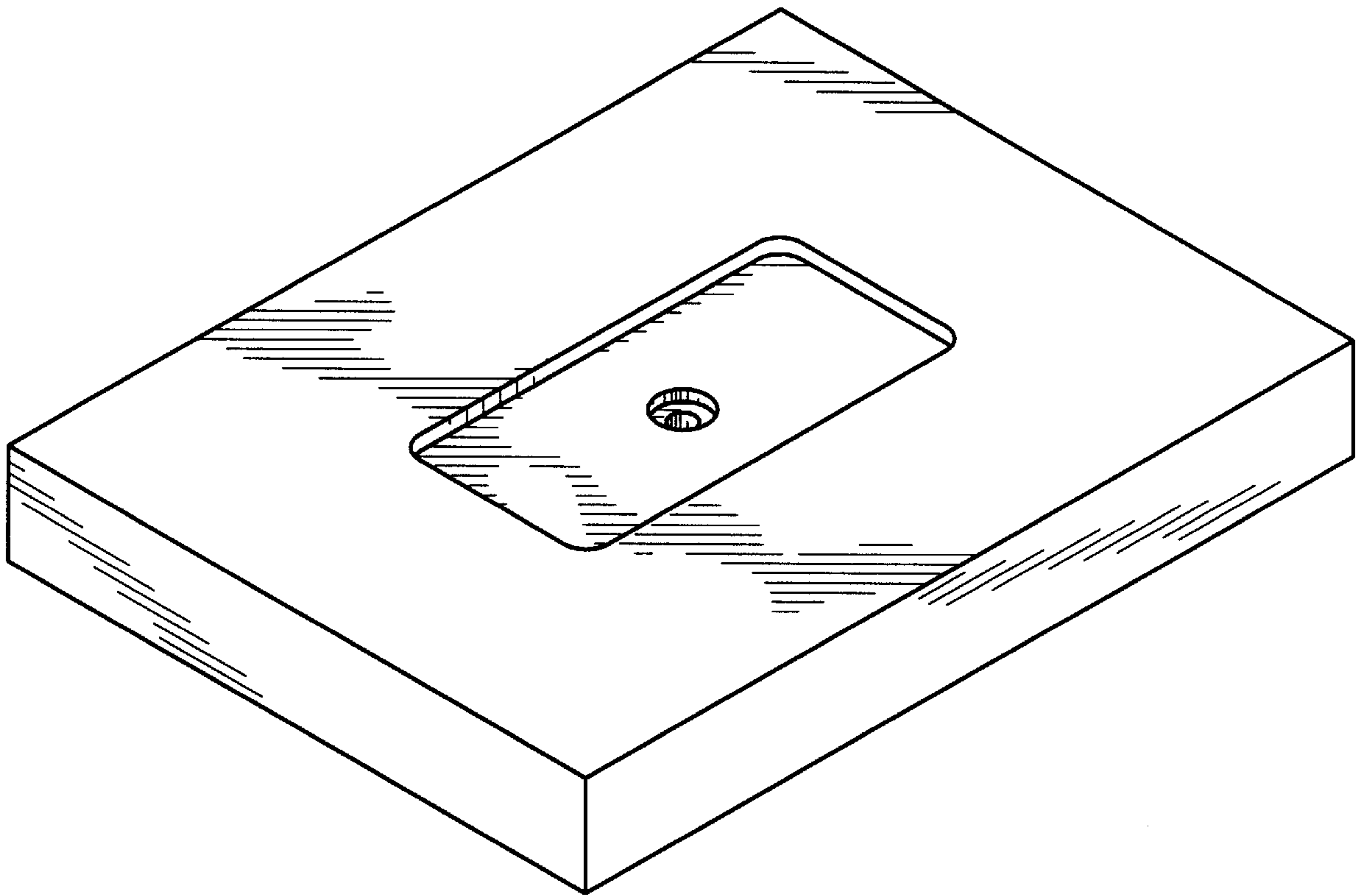
*Fig. 3*



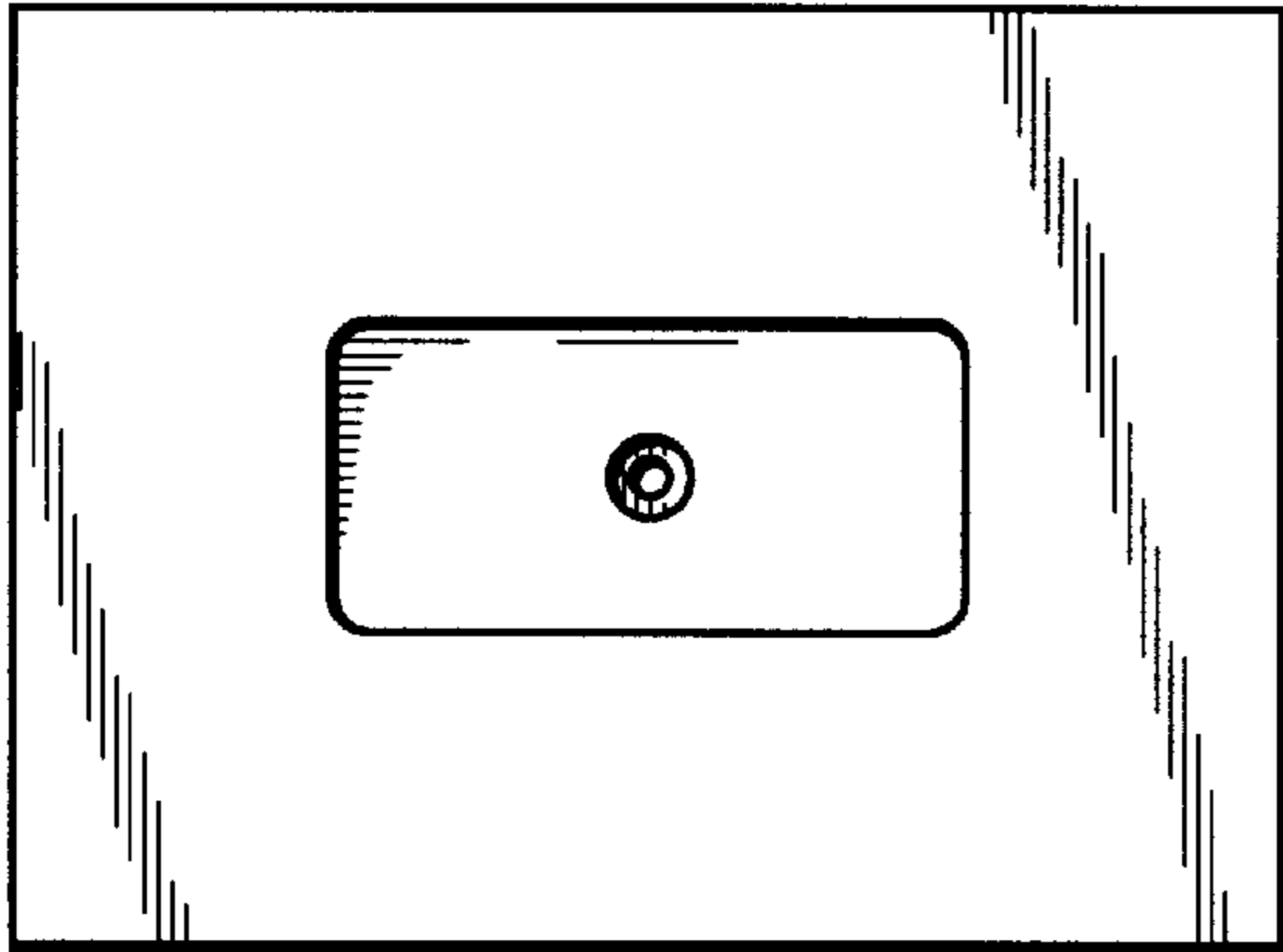
*Fig. 4*



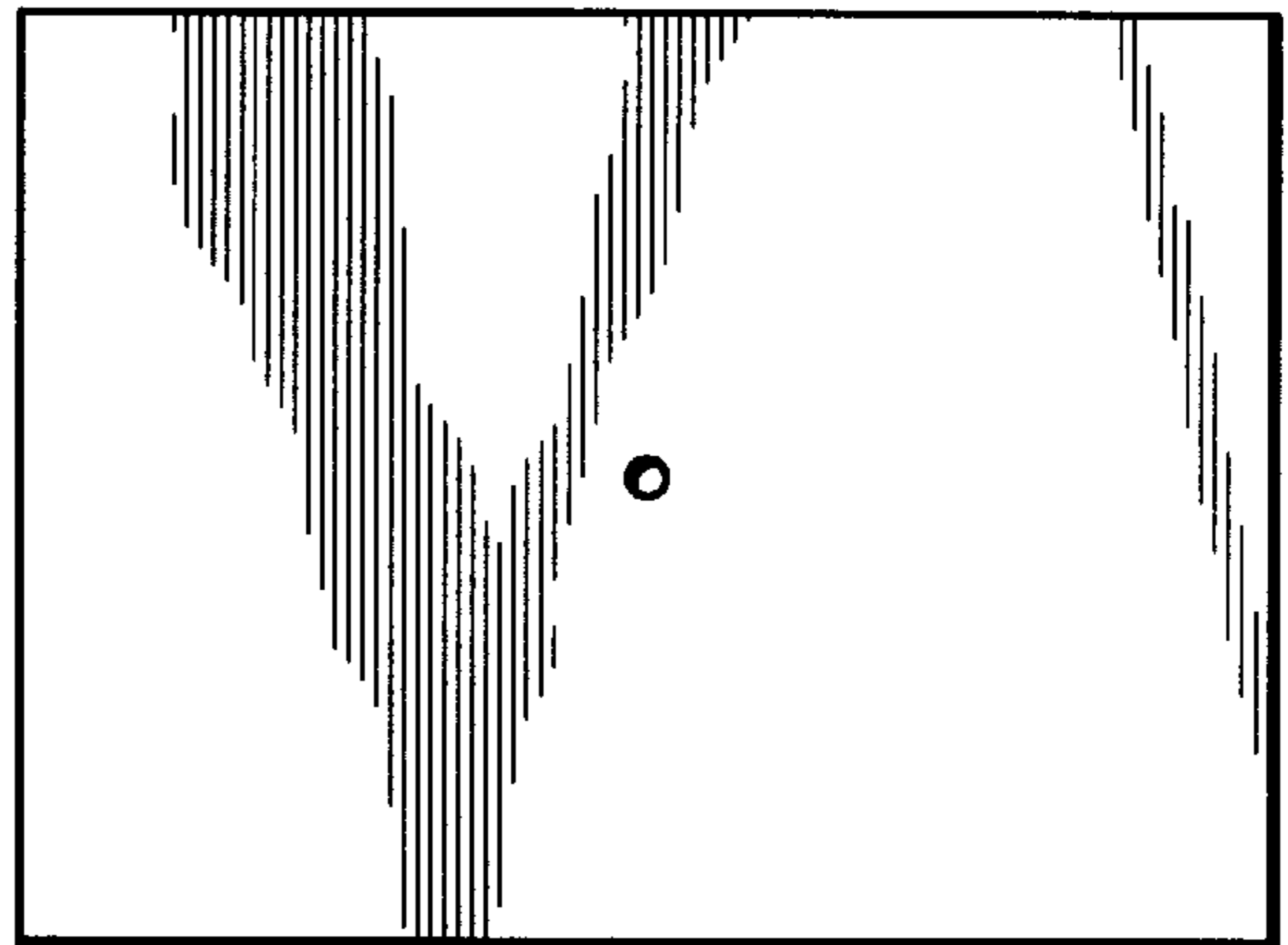
*Fig. 5*



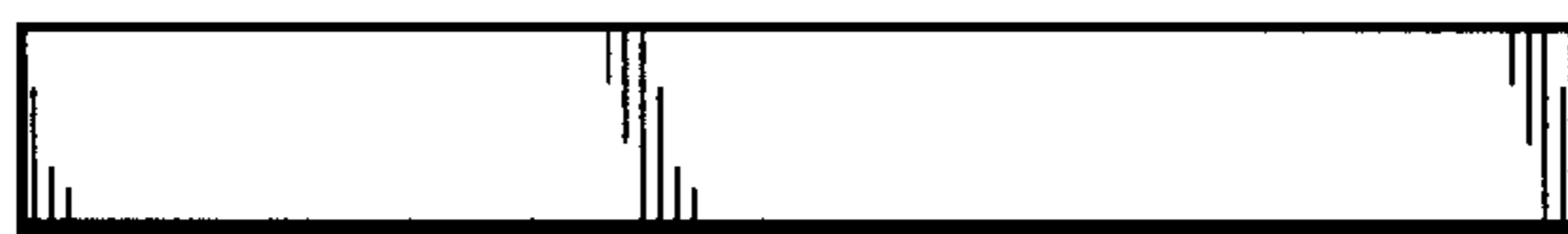
*Fig. 6*



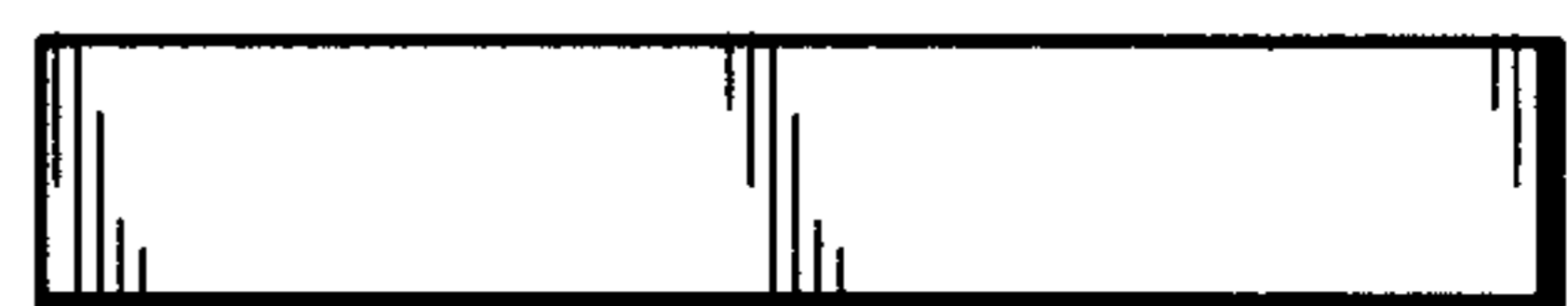
*Fig. 7*



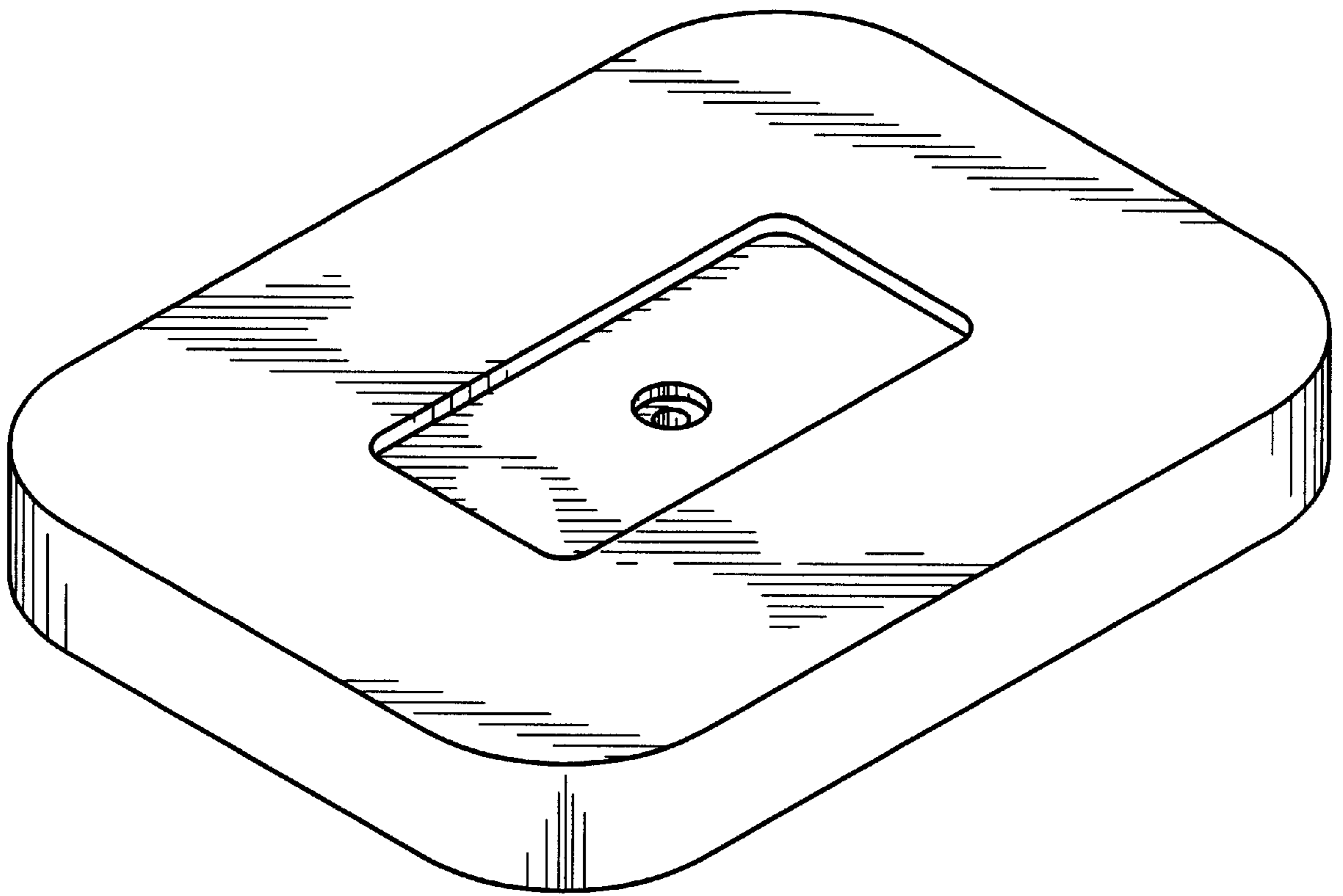
*Fig. 8*



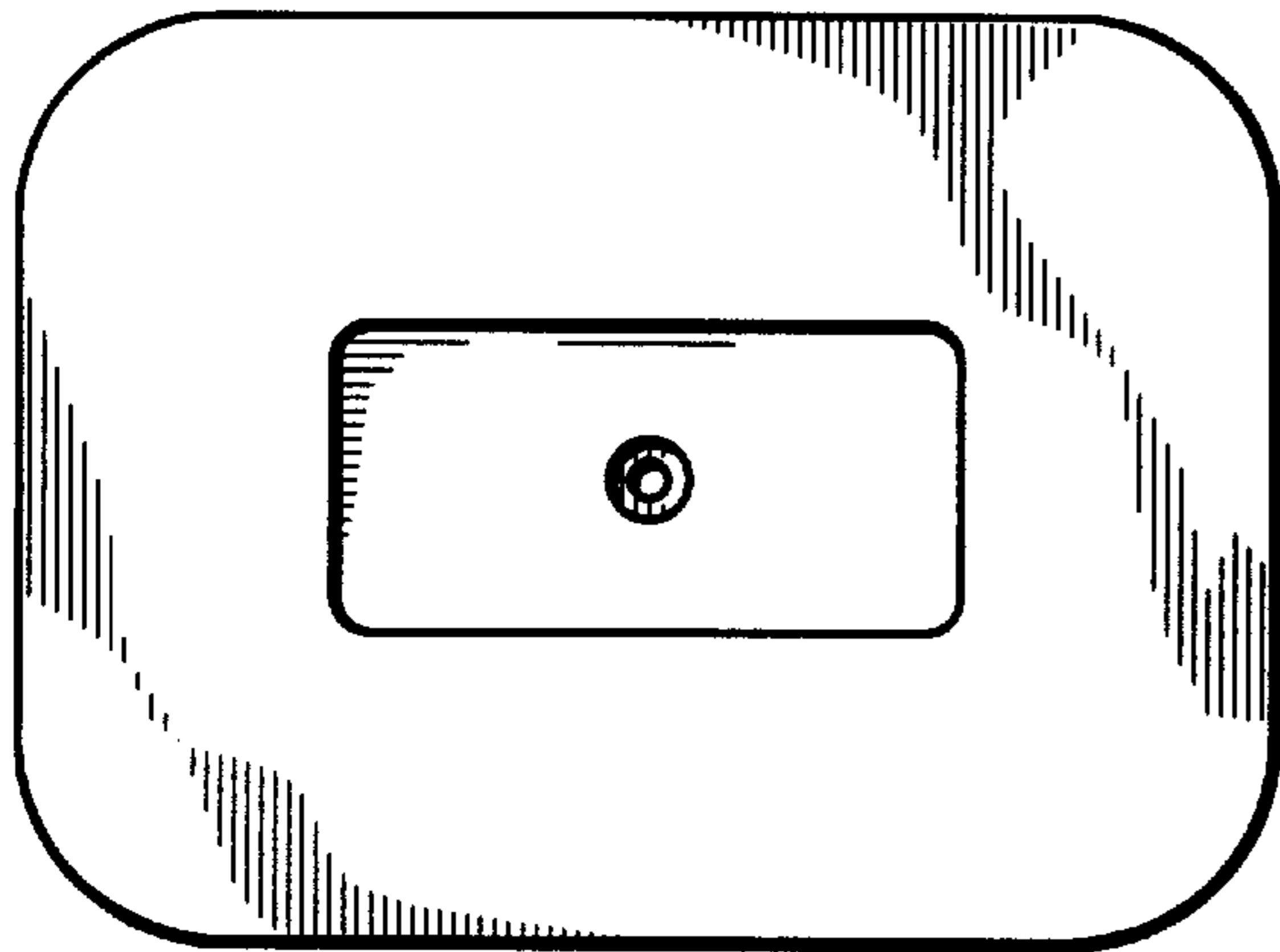
*Fig. 9*



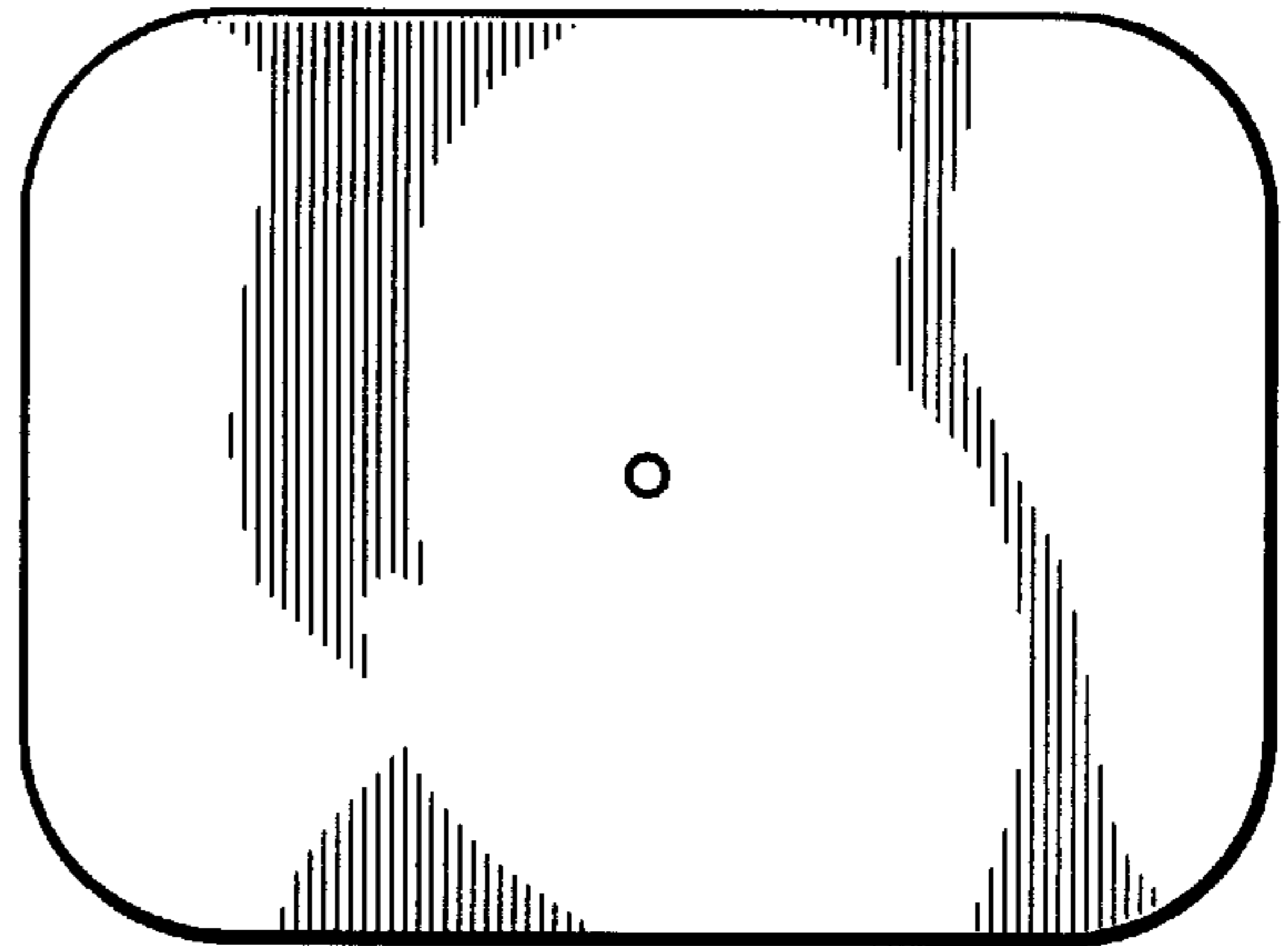
*Fig. 10*



*Fig. 11*



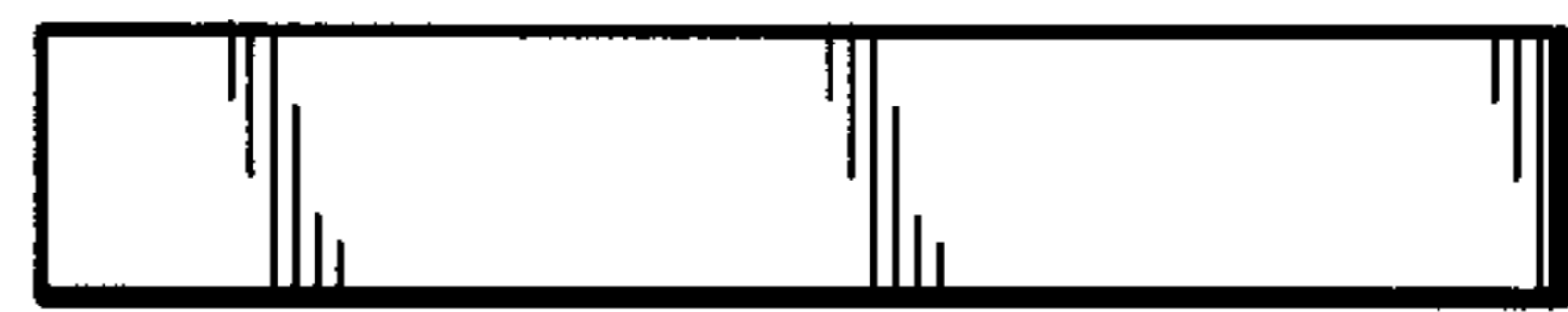
*Fig. 12*



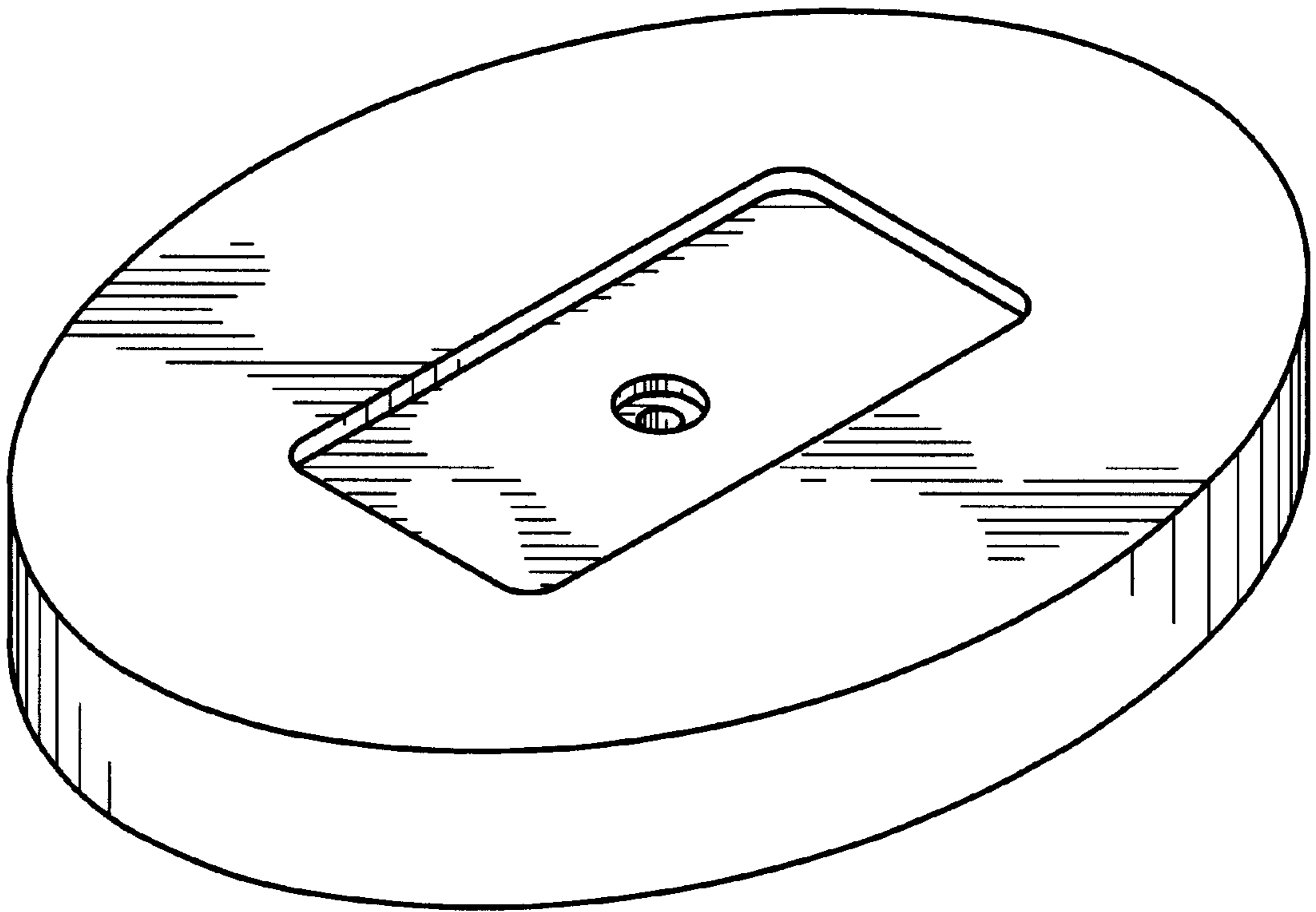
*Fig. 13*



*Fig. 14*

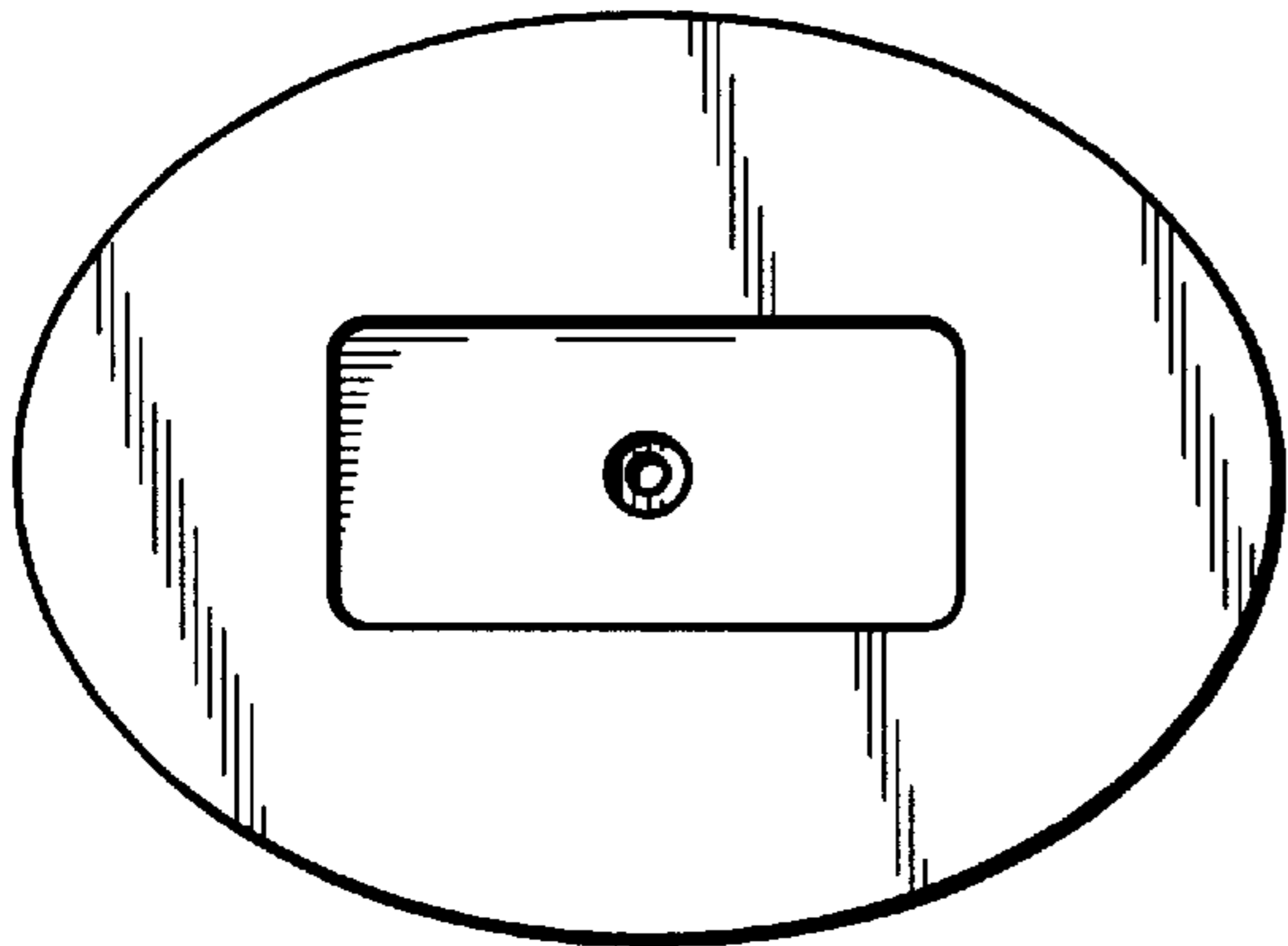


*Fig. 15*

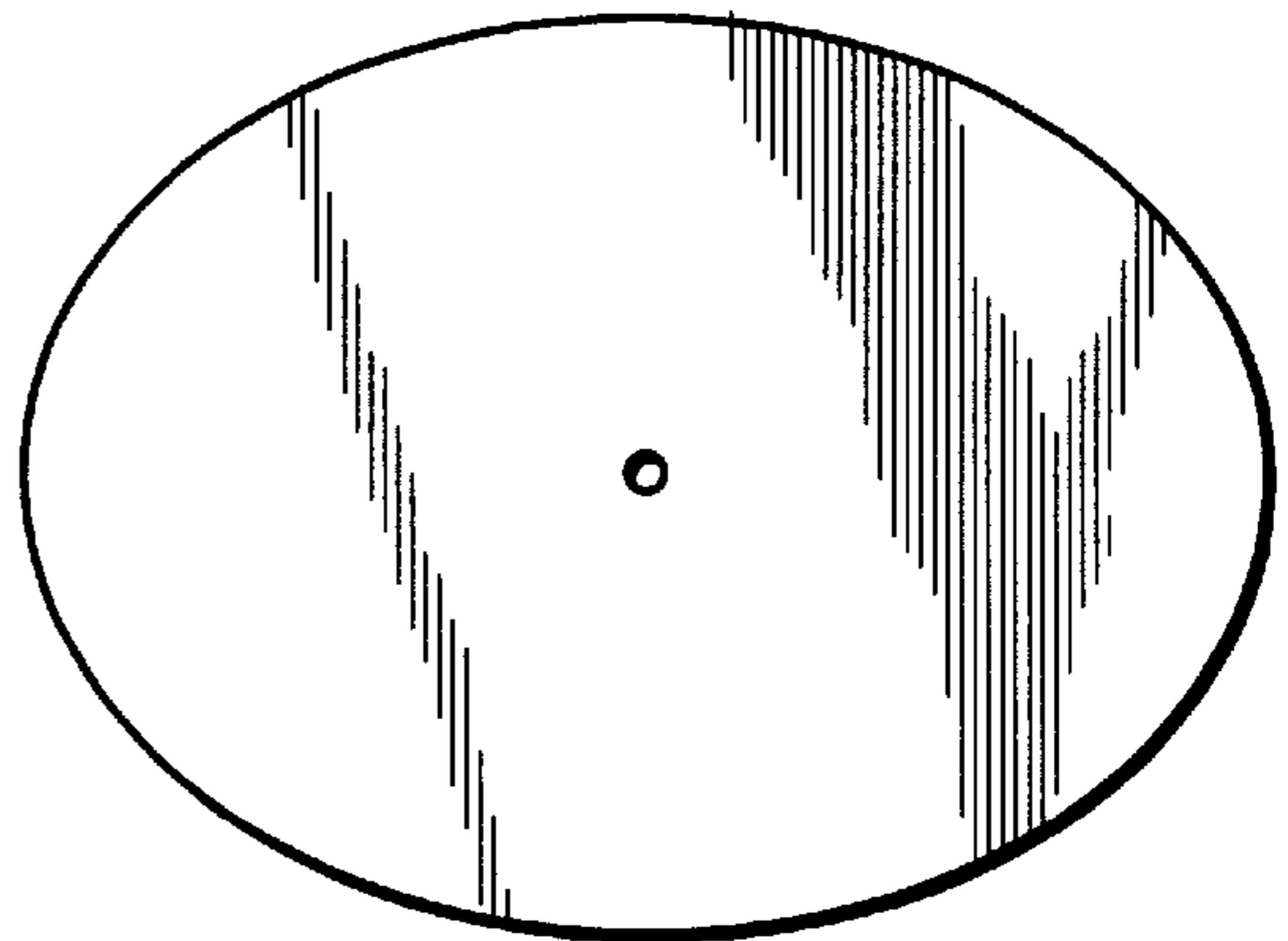


*Fig. 16*





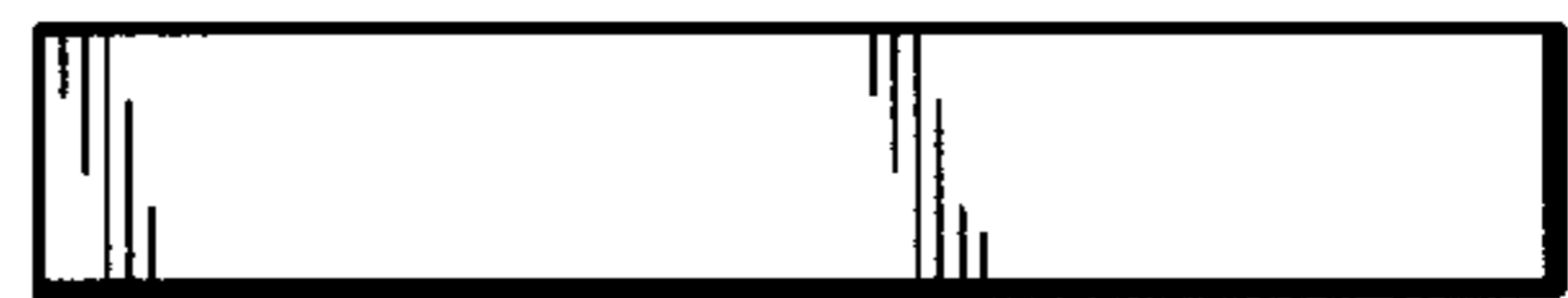
*Fig. 17*



*Fig. 18*



*Fig. 19*



*Fig. 20*