



US00D410843S

United States Patent [19] Mogard

[11] **Patent Number: Des. 410,843**
[45] **Date of Patent: ** *Jun. 8, 1999**

[54] **FLIP-CAP CLOSURE**

[75] Inventor: **Jens Mogard**, Buffalo Grove, Ill.

[73] Assignee: **Tetra Laval Holdings & Finance, SA**, Pully, Switzerland

[*] Notice: This patent is subject to a terminal disclaimer.

[**] Term: **14 Years**

[21] Appl. No.: **29/086,305**

[22] Filed: **Apr. 9, 1998**

[51] **LOC (6) Cl. 09-07**

[52] **U.S. Cl. D9/438; D9/454; D9/449**

[58] **Field of Search D9/435, 438, 440, D9/446, 447, 449, 454, 503; 215/237, 253, 254, 258; 220/254, 256, 258, 259; 222/153.07, 541.5, 541.9, 556; 229/125.15**

[56] **References Cited**

U.S. PATENT DOCUMENTS

D. 315,296	3/1991	De Giovellina	D9/454	X
D. 329,602	9/1992	Cochrane	D9/435	
D. 371,485	7/1996	Hickey	D9/454	X
D. 381,906	8/1997	Bartsch	D9/438	

4,795,065	1/1989	Ashizawa et al.	222/541.5	
5,065,938	11/1991	Anderson	229/125.15	X
5,636,771	6/1997	Gordon et al.	222/541.9	X
5,718,353	2/1998	Kanfer et al.	220/259	X
5,799,813	9/1998	Letica	220/254	
5,799,840	9/1998	Mogard	222/541.5	

Primary Examiner—Doris V. Coles
Assistant Examiner—Cathron B. Matta

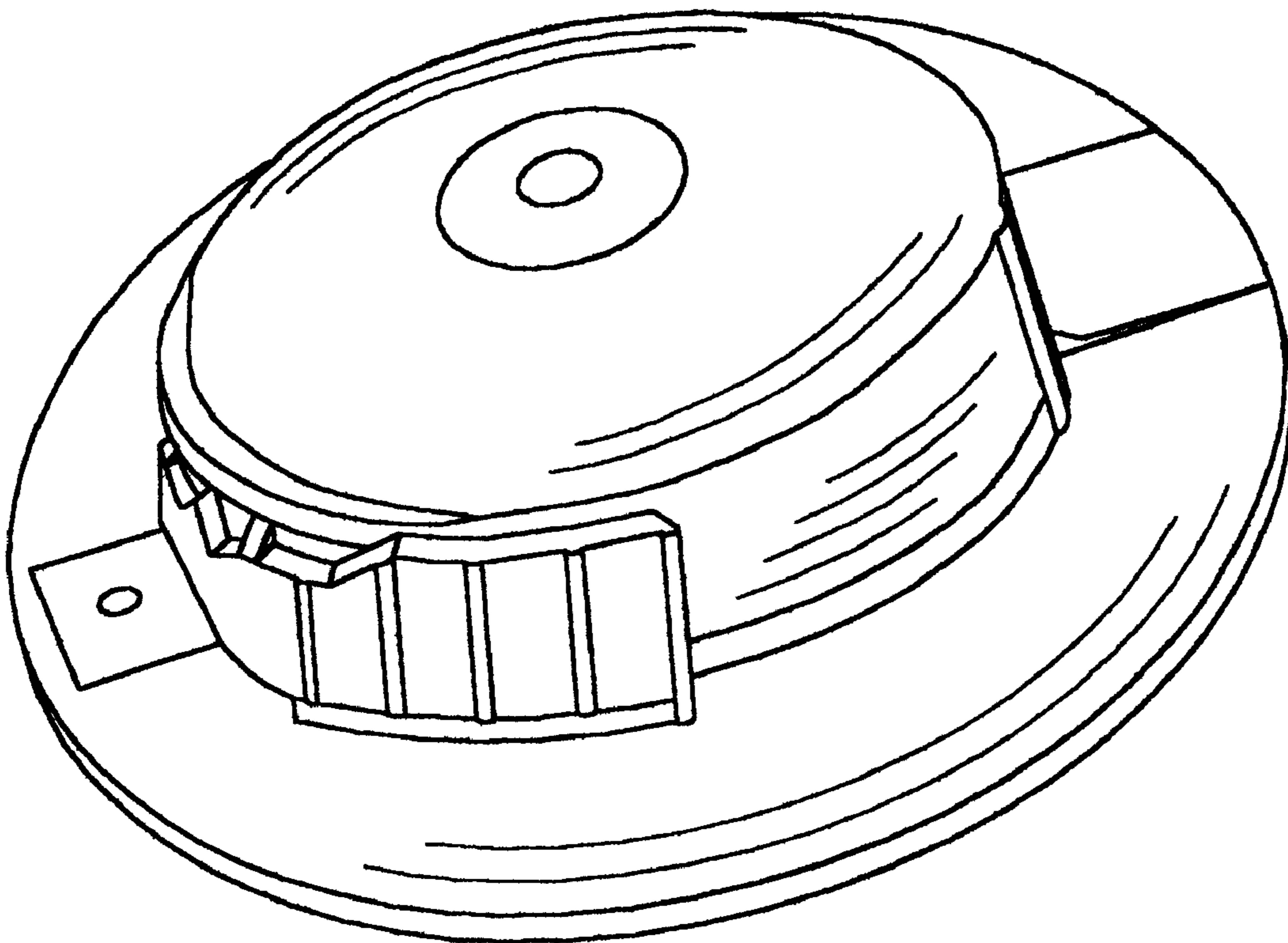
[57] **CLAIM**

The ornamental design for a flip-cap closure, as shown and described.

DESCRIPTION

FIG. 1 is a top plan view of the flip-cap closure;
FIG. 2 is bottom plan view of the flip-cap closure of FIG. 1;
FIG. 3 is a right side view of the flip-cap closure shown in FIG. 1;
FIG. 4 is a left side view of the flip-cap closure shown in FIG. 1;
FIG. 5 is a front view of the flip-cap closure shown in FIG. 1;
FIG. 6 is a rear view of the flip-cap closure shown in FIG. 1; and,
FIG. 7 is an enlarged top perspective view of the flip-cap closure shown in FIG. 1.

1 Claim, 2 Drawing Sheets



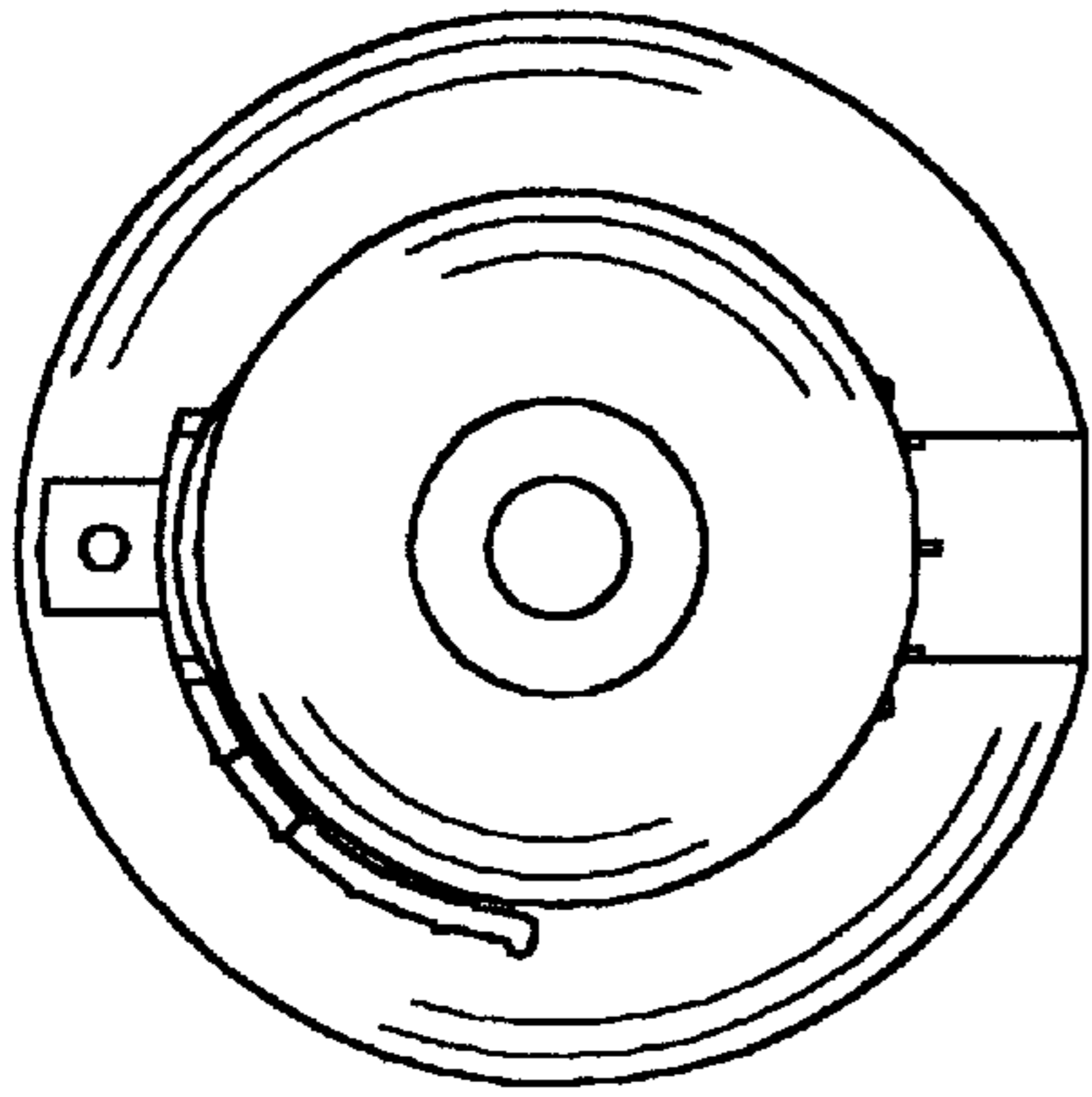


Fig. 1

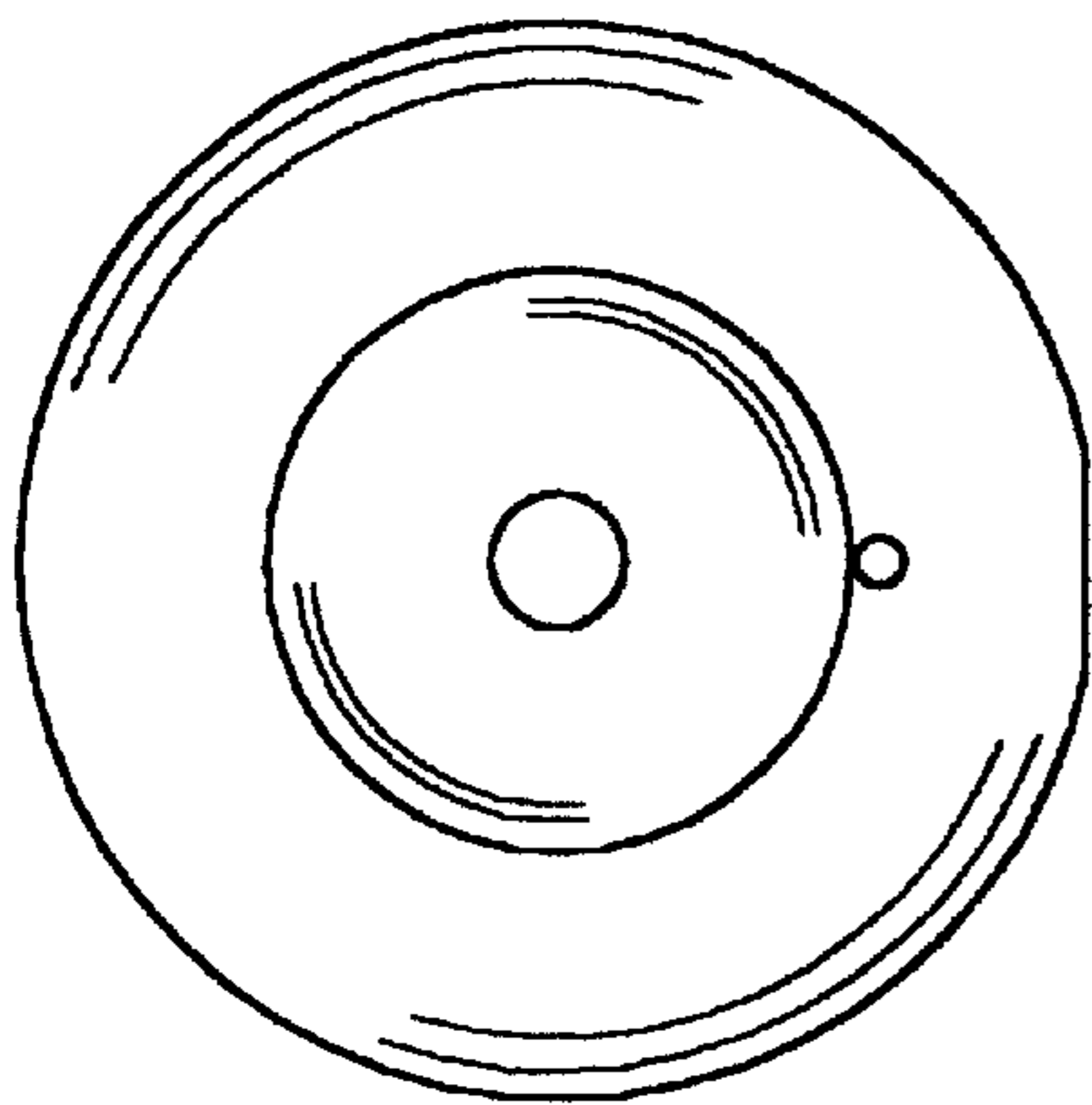


Fig. 2

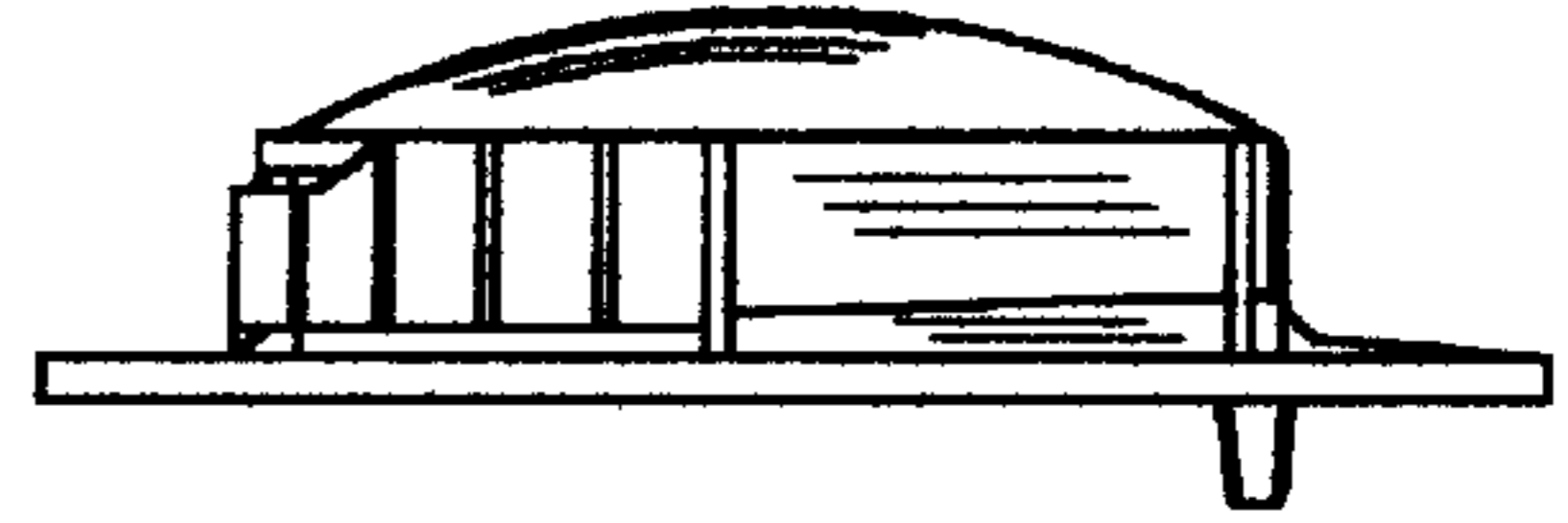


Fig. 3

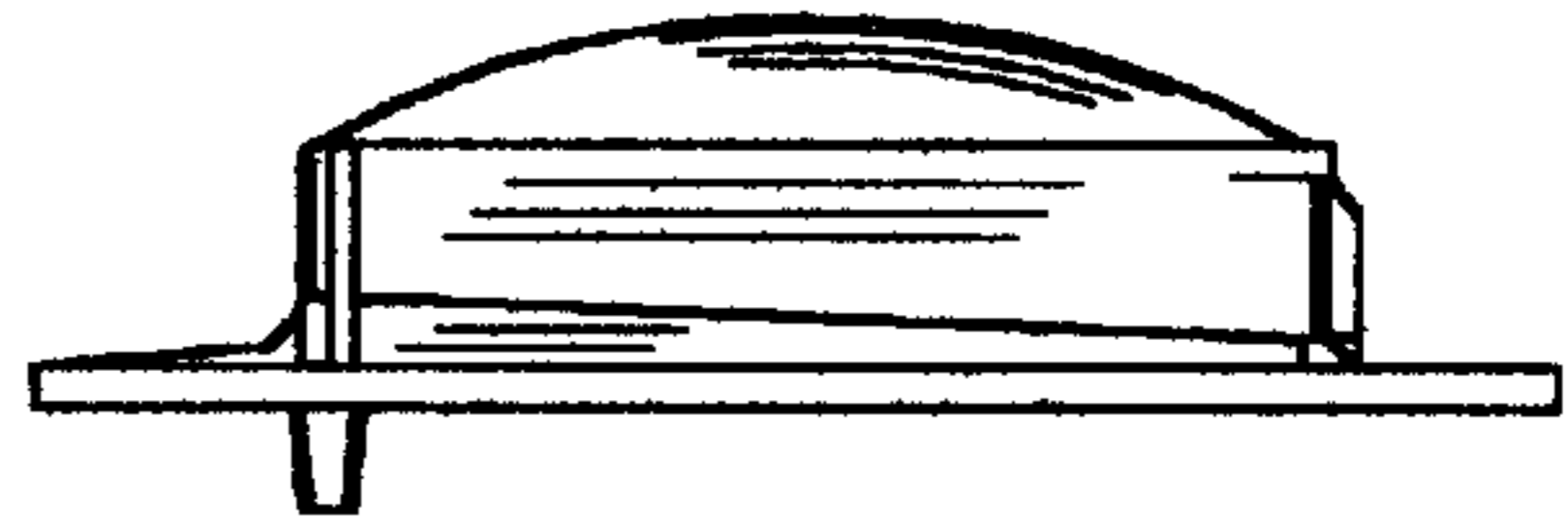


Fig. 4

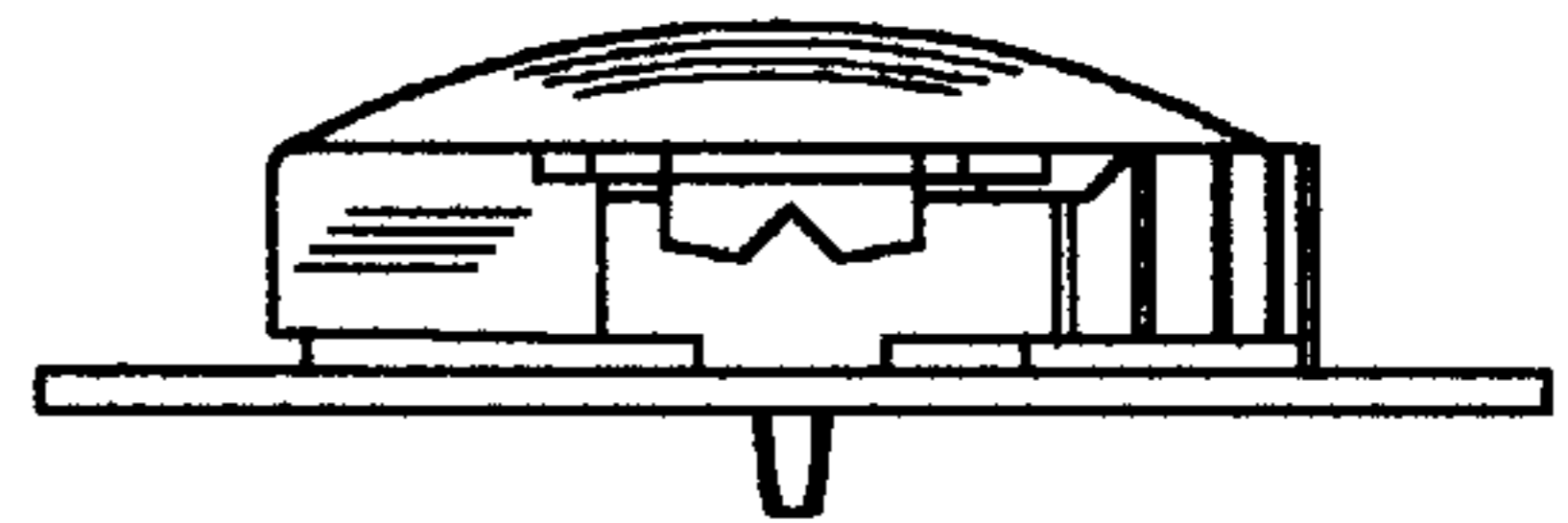


Fig. 5

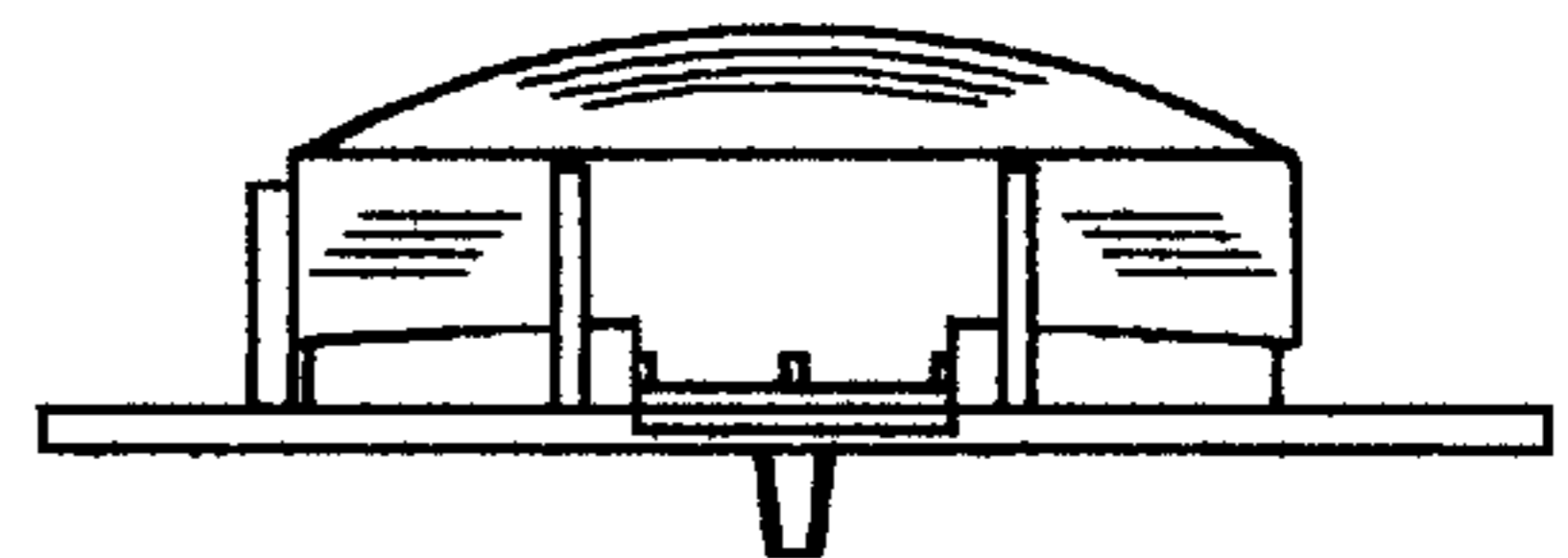


Fig. 6

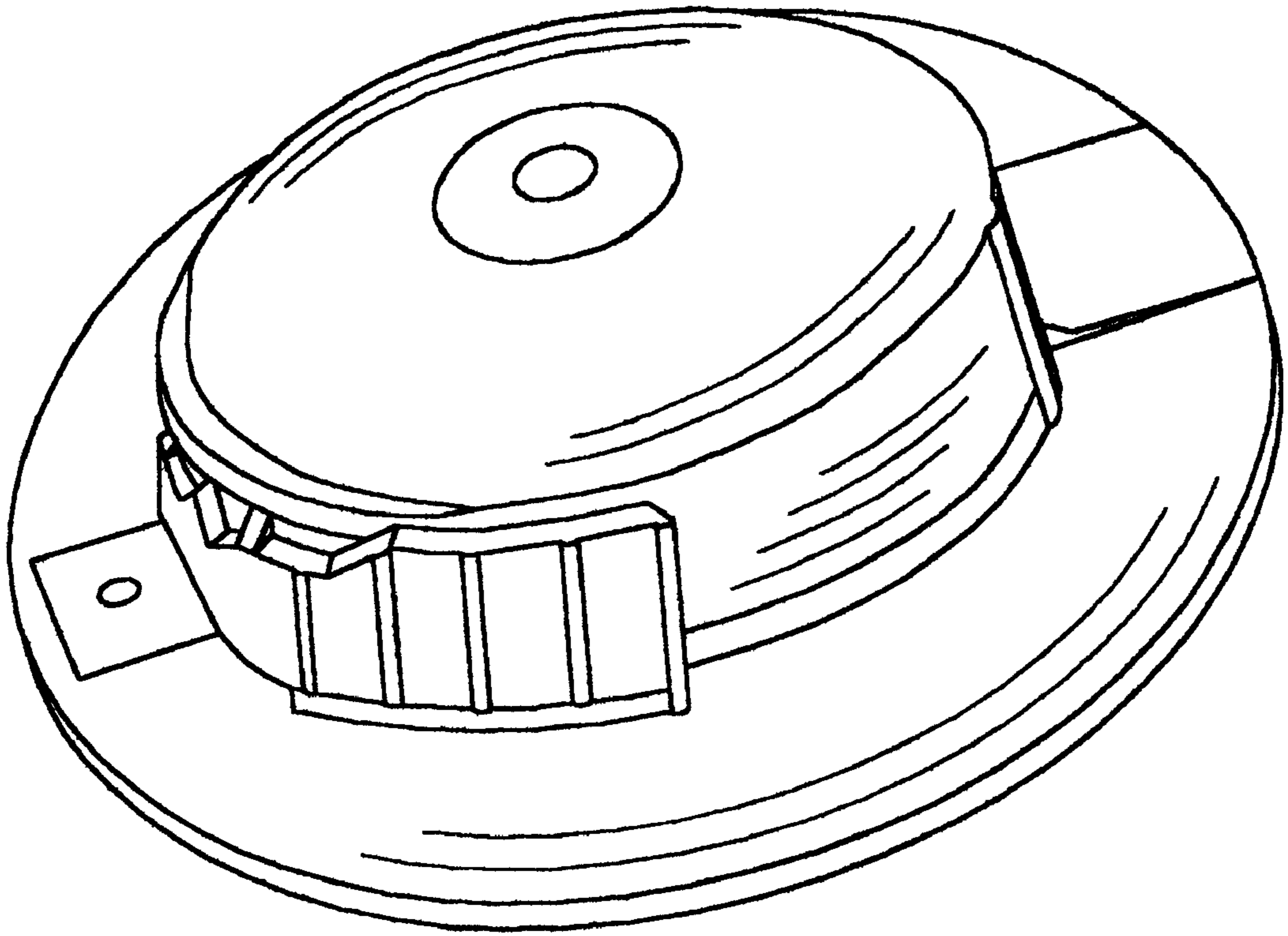


Fig. 7