



US00D410842S

United States Patent [19]

[11] Patent Number: Des. 410,842

DiMarzo et al.

[45] Date of Patent: ** Jun. 8, 1999

[54] BOTTLE PROTECTING CONTAINER

[75] Inventors: Robert W. DiMarzo, Paulo, Brazil;
Bradley R. Gramm, Lititz, Pa.;
Rodney L. Laible, Bennington, Nebr.

[73] Assignee: Pfizer Inc., New York, N.Y.

[**] Term: 14 Years

[21] Appl. No.: 29/057,512

[22] Filed: Jul. 26, 1996

[51] LOC (6) Cl. 09-07

[52] U.S. Cl. D9/435

[58] Field of Search D24/121; 215/11.6,
215/12.1, 395; 206/521, 524.5, 524.4, 524.6;
220/675; D9/444, 517, 435, 455

[56] References Cited

U.S. PATENT DOCUMENTS

D. 284,439	7/1986	Ventimiglia et al.	D9/369
D. 289,614	5/1987	Sanchez et al.	D9/443
D. 321,939	11/1991	Tom	D24/199
D. 336,046	6/1993	Donoghue	D9/547
2,969,162	1/1961	Stutske	220/2.1
3,012,686	12/1961	Russell	215/13
3,080,989	3/1963	Ramsbotham	215/12
3,285,461	11/1966	Santelli	220/17
3,331,521	7/1967	Paige	215/1
3,570,718	3/1971	Otsuka	222/88
3,613,761	10/1971	Moody	150/52 R
3,744,658	7/1973	Fujio	215/100 A
3,967,995	7/1976	Fabianic	156/86
4,245,685	1/1981	Nemitz et al.	150/52 R
4,300,612	11/1981	Schroeder et al.	150/52 R
4,715,513	12/1987	Shelton, Jr.	220/469
5,040,682	8/1991	Palisin, Jr. et al.	206/519
5,174,534	12/1992	Mitchell .	
5,454,492	10/1995	Hunter et al.	222/185.1

FOREIGN PATENT DOCUMENTS

691196 7/1964 Canada .

865530	3/1971	Canada .
126575	11/1984	European Pat. Off. .
396999	11/1909	France .
371215	6/1910	France .
1027739	5/1953	France .
1218248	5/1960	France .
1399264	9/1965	France .
2318083	2/1977	France .
210450	6/1909	Germany .
382034	9/1923	Germany .
2525961	12/1976	Germany .
2744515	4/1979	Germany .
574714	3/1958	Italy .
634273	3/1950	United Kingdom .

Primary Examiner—Stella Reid
Attorney, Agent, or Firm—Peter C. Richardson; Paul H. Ginsburg; Grover F. Fuller, Jr.

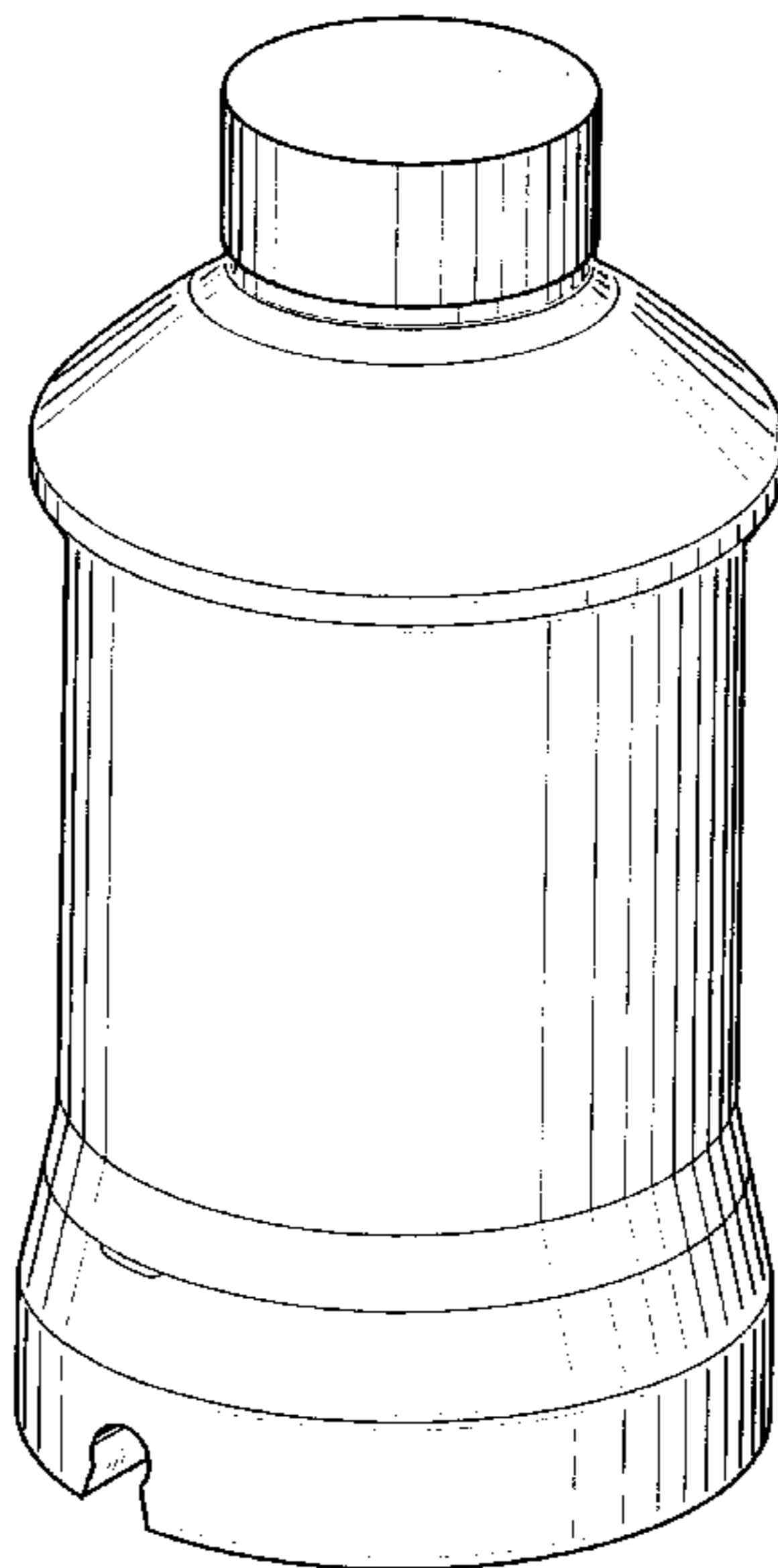
[57] CLAIM

The ornamental design for a bottle protecting container, as shown and described.

DESCRIPTION

FIG. 1 is an upright front perspective view of a bottle protecting container;
FIG. 2 is an inverted front perspective view thereof;
FIG. 3 is a front elevational view thereof, the side opposite being substantially a mirror image;
FIG. 4 is a side elevational view thereof, the side opposite being substantially a mirror image;
FIG. 5 is a top plan view thereof;
FIG. 6 is a bottom plan view thereof;
FIG. 7 is a front elevational view of another embodiment of the bottle protecting container, the side opposite being substantially a mirror image;
FIG. 8 is a side elevational view of the container of FIG. 7, the side opposite being substantially a mirror image;
FIG. 9 is a top plan view of the container of FIG. 7; and,
FIG. 10 is a bottom view plan of the container of FIG. 7.

1 Claim, 5 Drawing Sheets



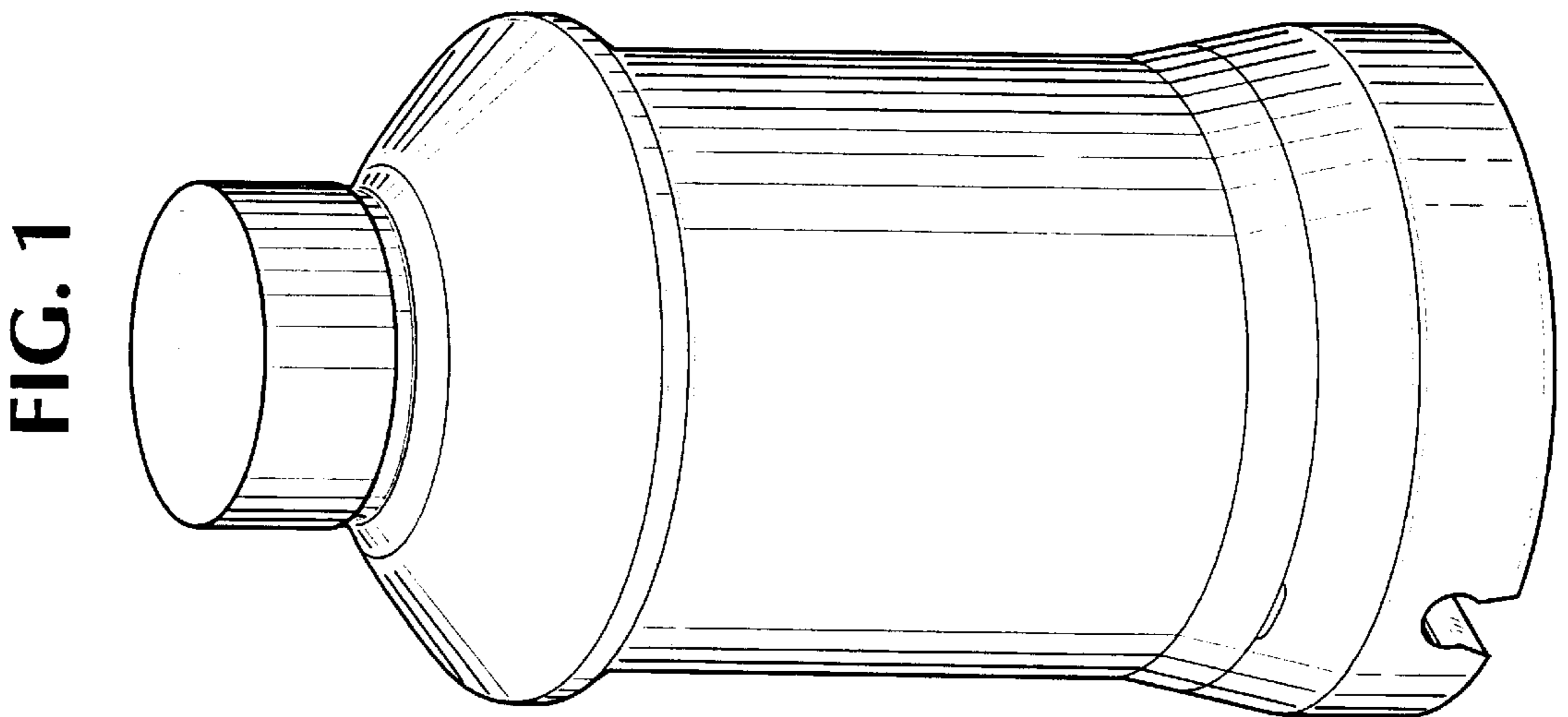
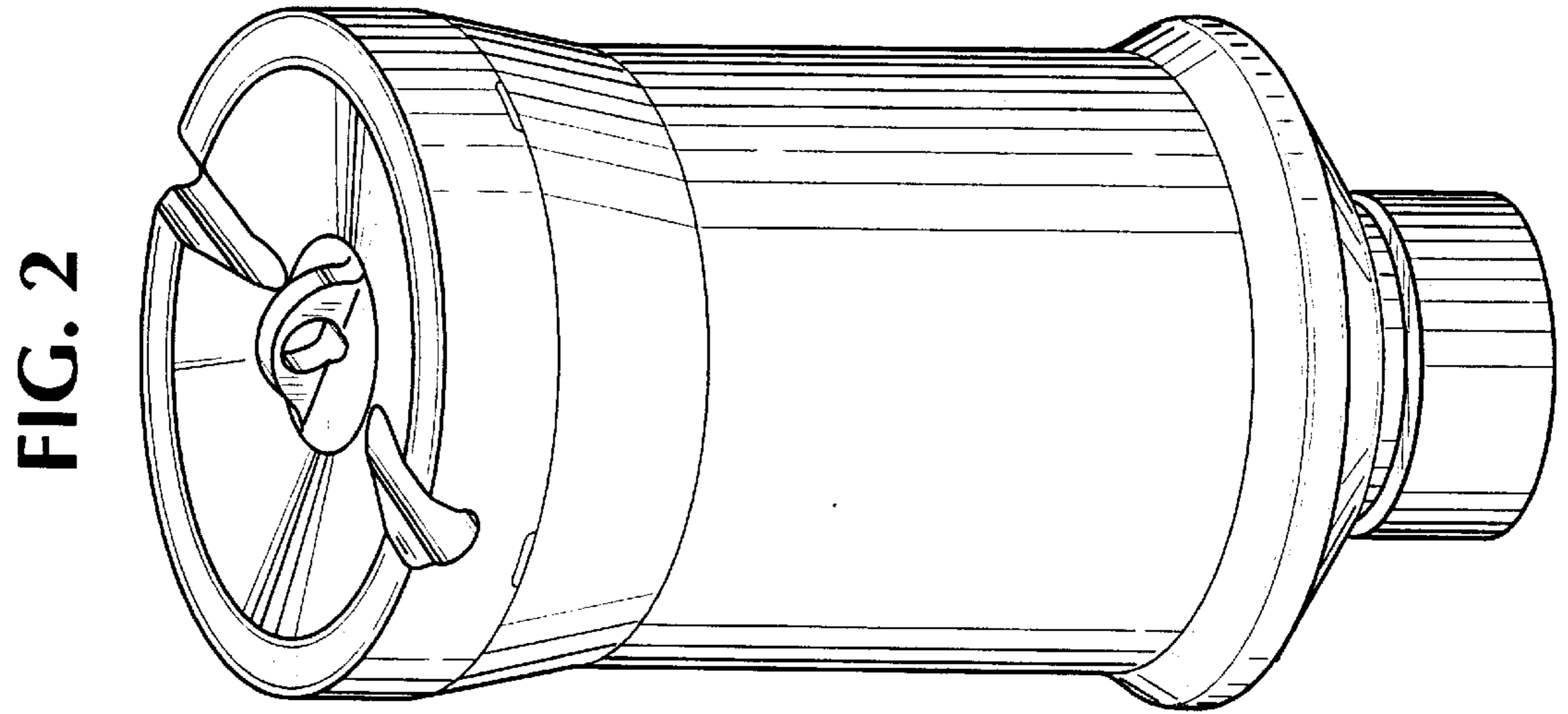


FIG. 4

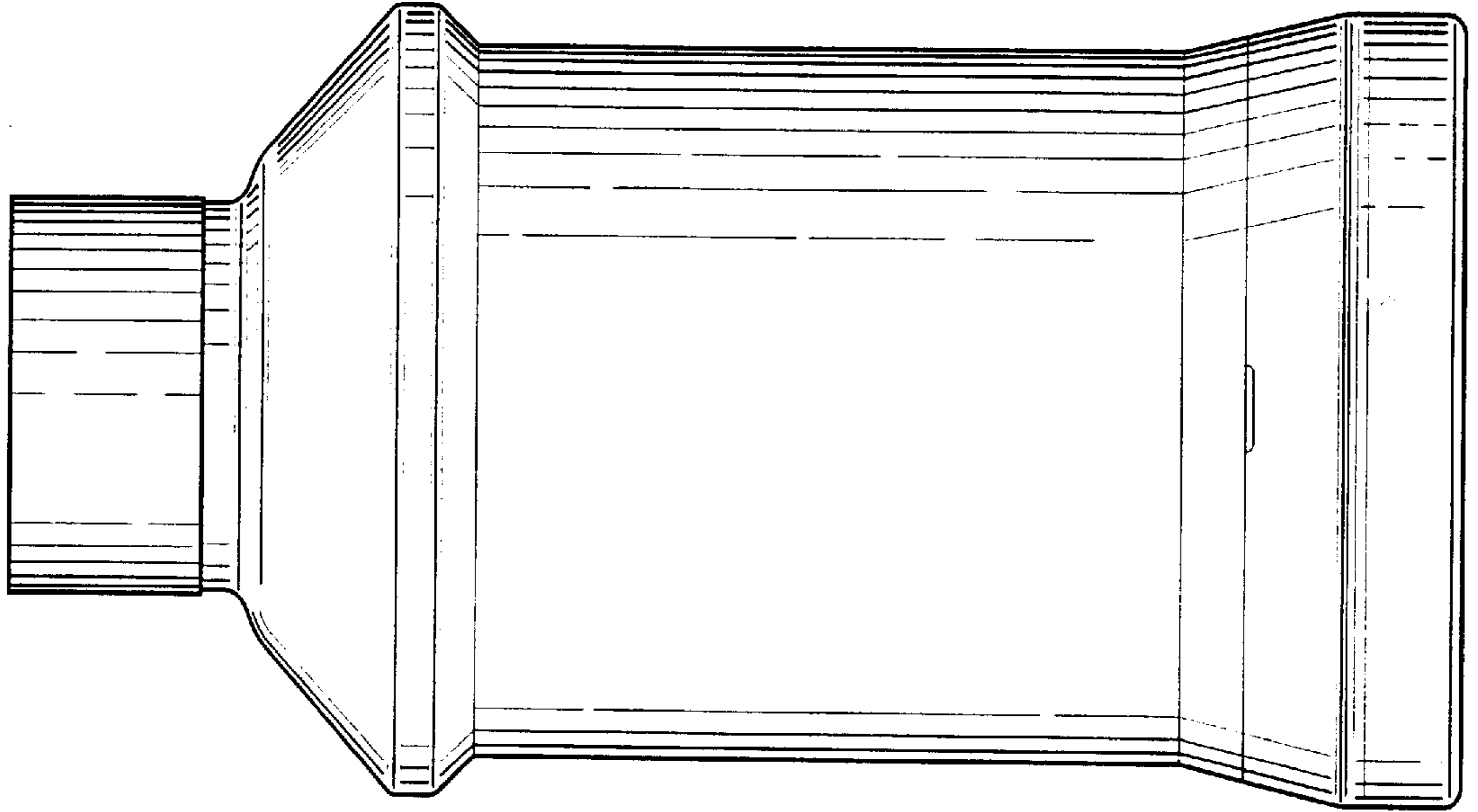


FIG. 3

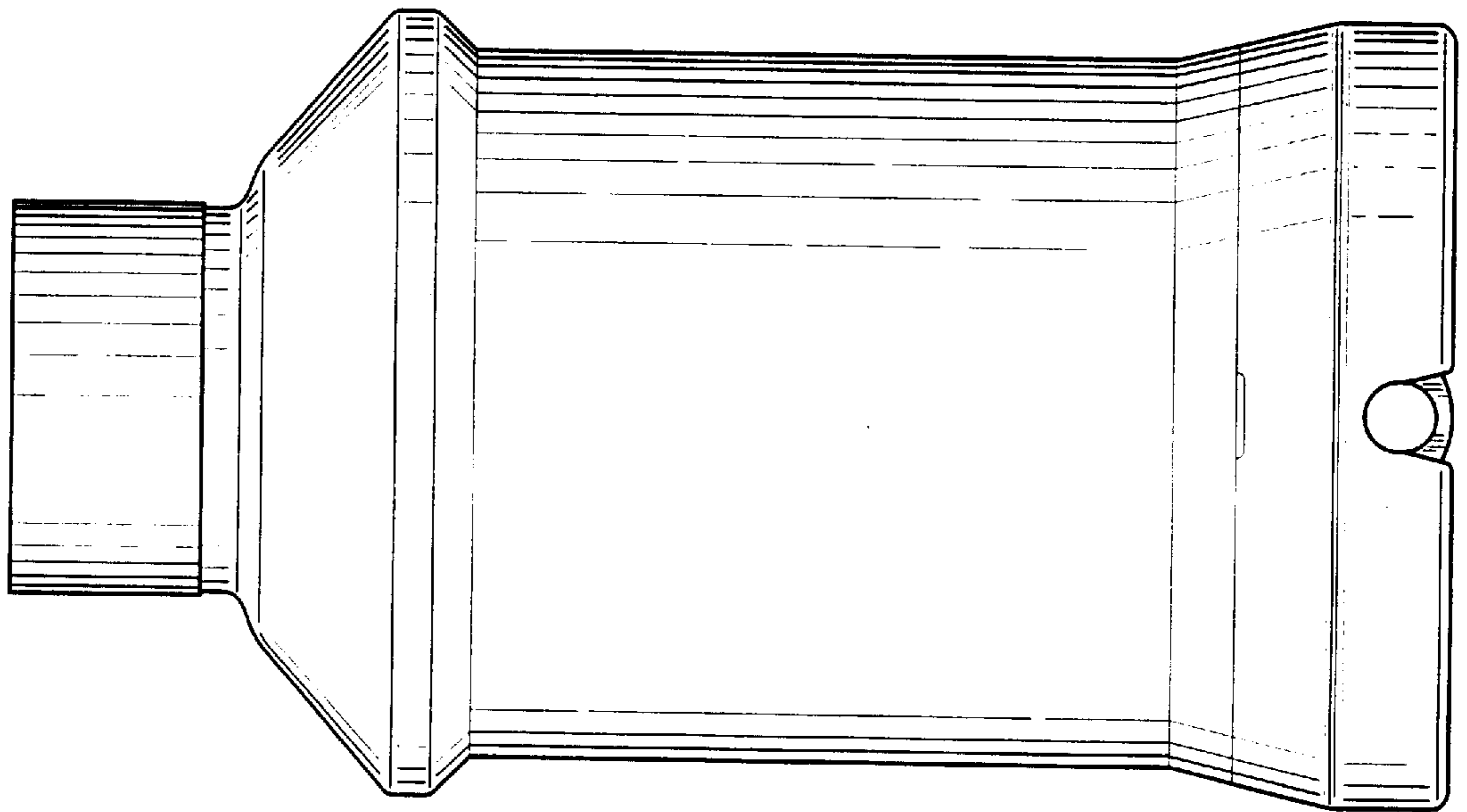


FIG. 5

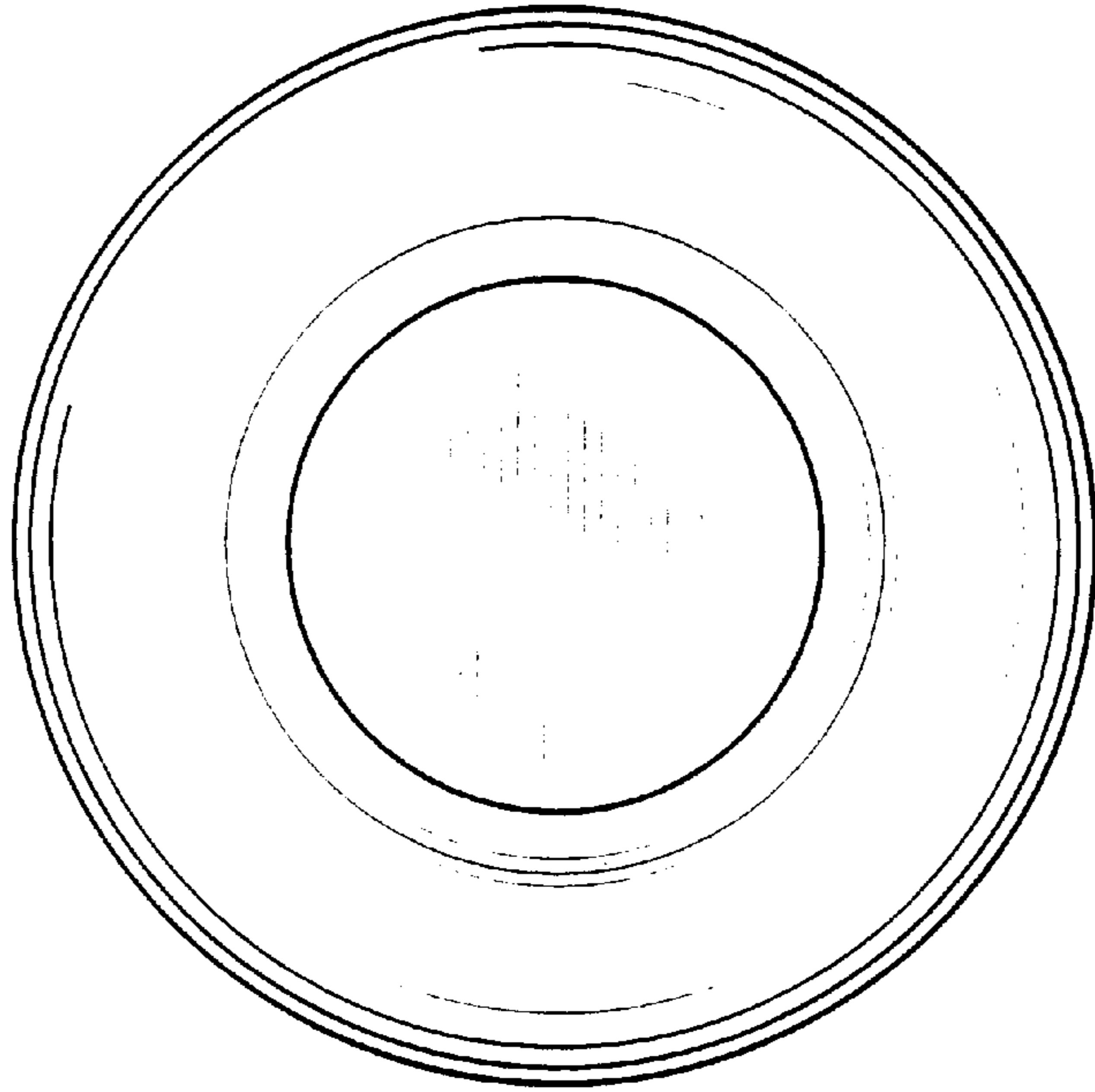


FIG. 6

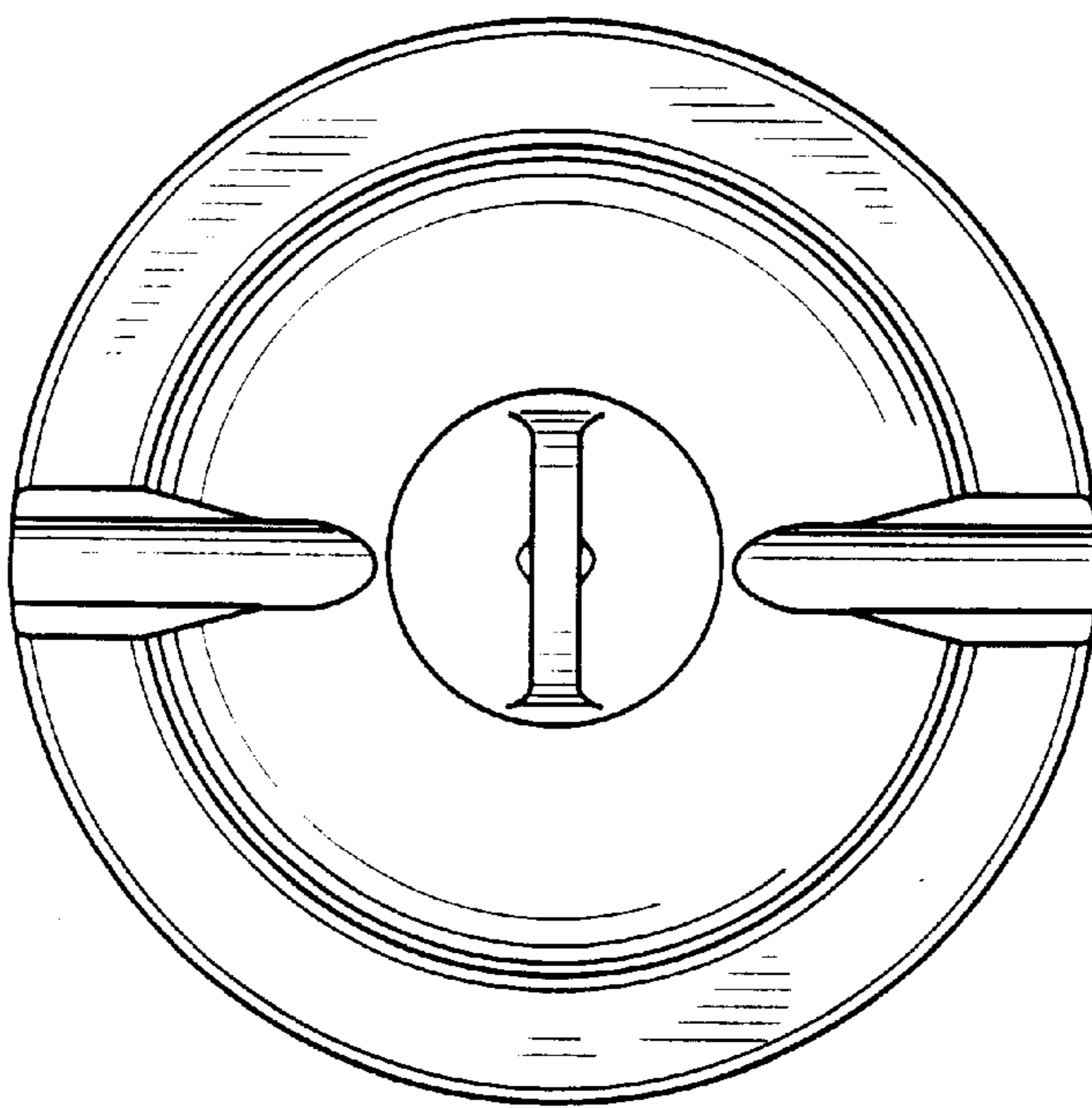


FIG. 8

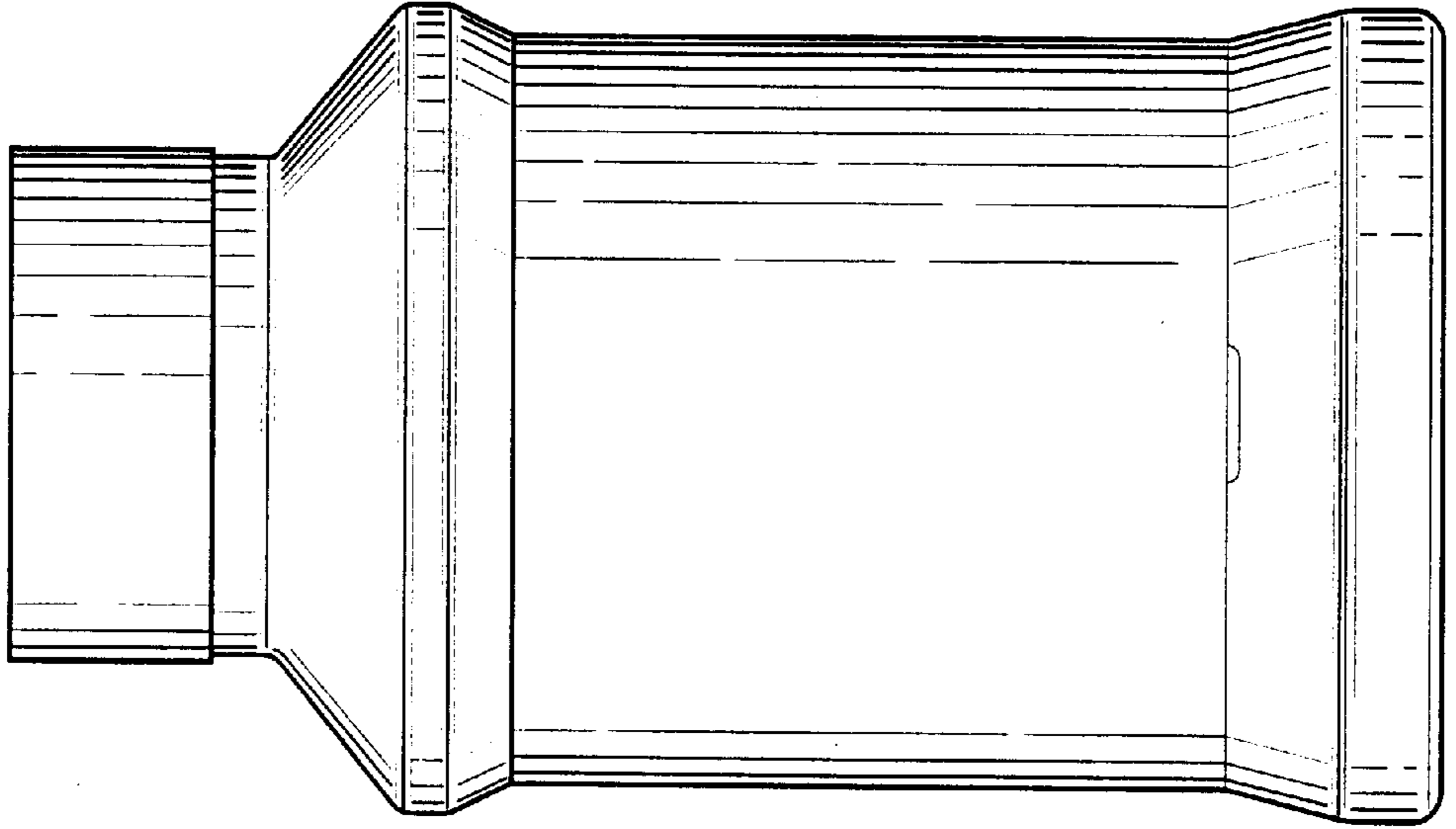


FIG. 7

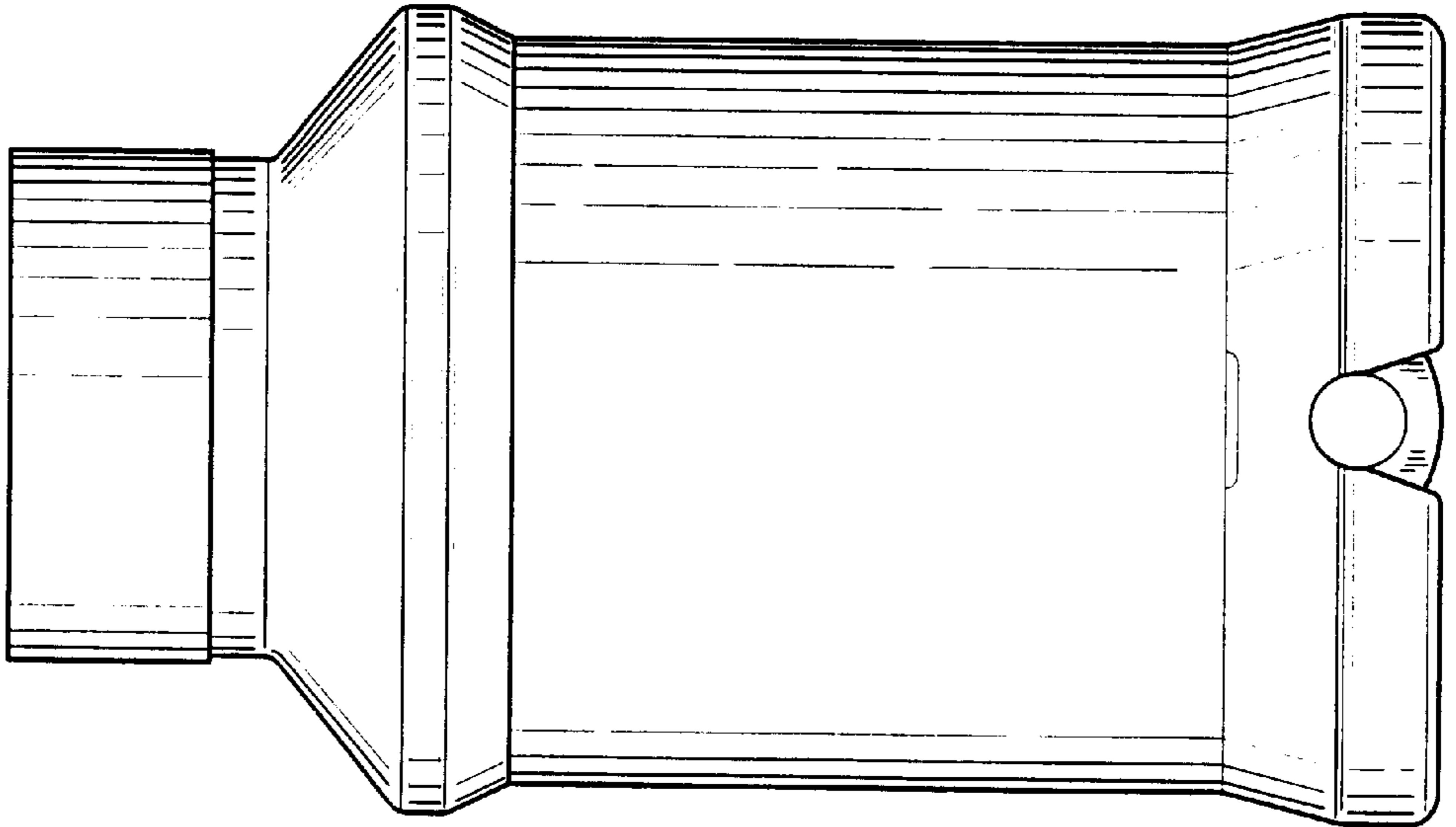


FIG. 9

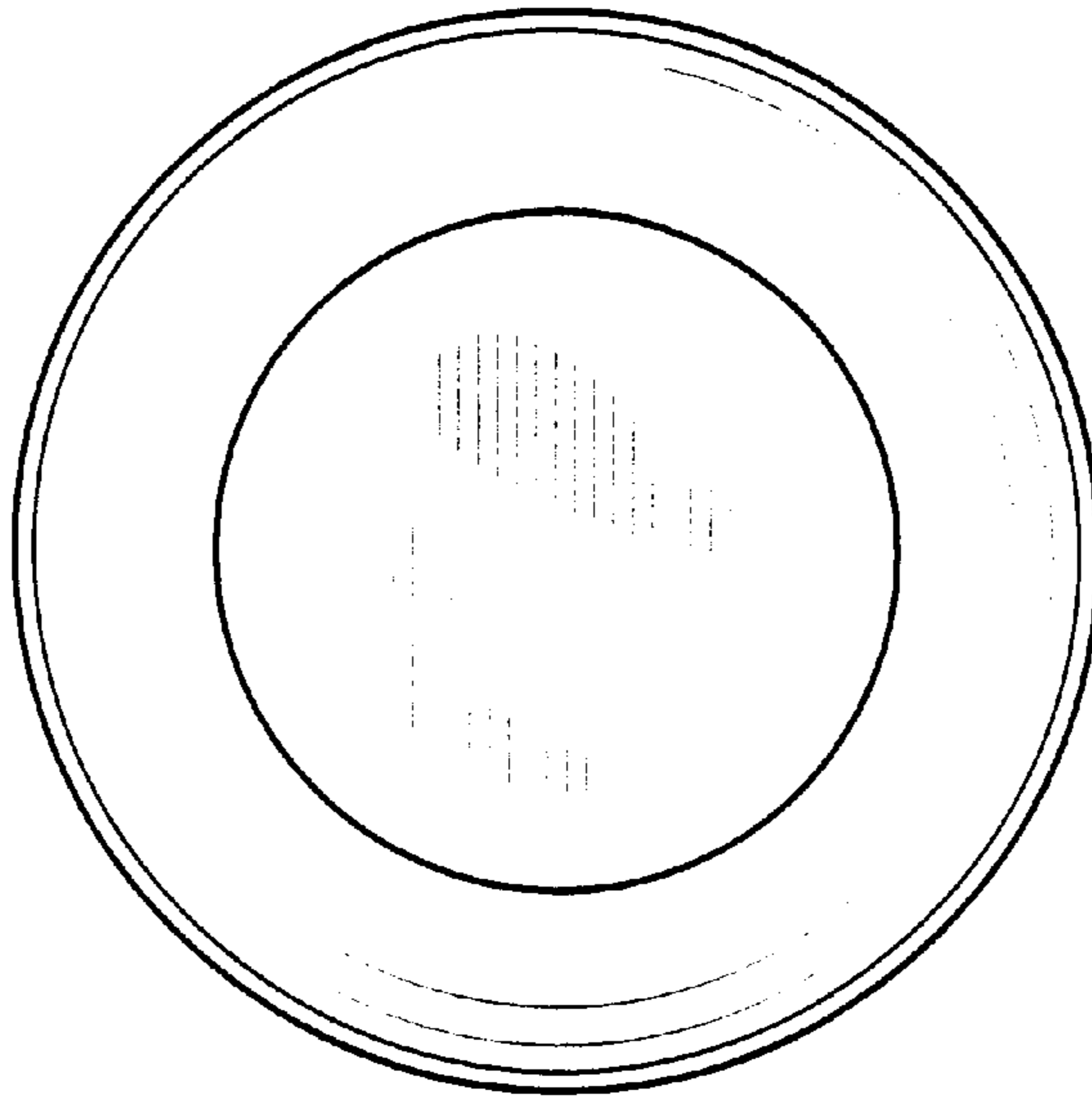


FIG. 10

