



US00D410837S

United States Patent [19] Vogels

[11] **Patent Number: Des. 410,837**
[45] **Date of Patent: ** Jun. 8, 1999**

[54] **TV SUPPORT**

[75] Inventor: **Henricus Hyacinthus Vogels**,
Eindhoven, Netherlands
[73] Assignee: **Vogel's Holding B.V.**, Eindhoven,
Netherlands
[**] Term: **14 Years**

[21] Appl. No.: **29/095,393**
[22] Filed: **Oct. 22, 1998**

Related U.S. Application Data

[62] Division of application No. 29/088,317, May 20, 1998.

[30] **Foreign Application Priority Data**

Dec. 10, 1997 [WO] WIPO DMA/003947

[51] **LOC (6) Cl.** **08-05**
[52] **U.S. Cl.** **D8/363; D6/567**
[58] **Field of Search** D8/363, 373, 380;
D6/553, 567, 570; 248/670, 220.2, 235,
241, 274, 284, 281.1, 291; 211/96, 100

[56] **References Cited**

U.S. PATENT DOCUMENTS

D. 320,928	10/1991	Boscacci et al.	D6/567 X
D. 337,719	7/1993	Burns	D8/363
D. 352,652	11/1994	Vogels	D8/363
D. 357,406	4/1995	Whitaker	D8/380
3,916,627	11/1975	Carlisle et al.	248/310 X
4,659,047	4/1987	Haller	248/310 X

Primary Examiner—Brian N. Vinson
Attorney, Agent, or Firm—Ladas & Parry

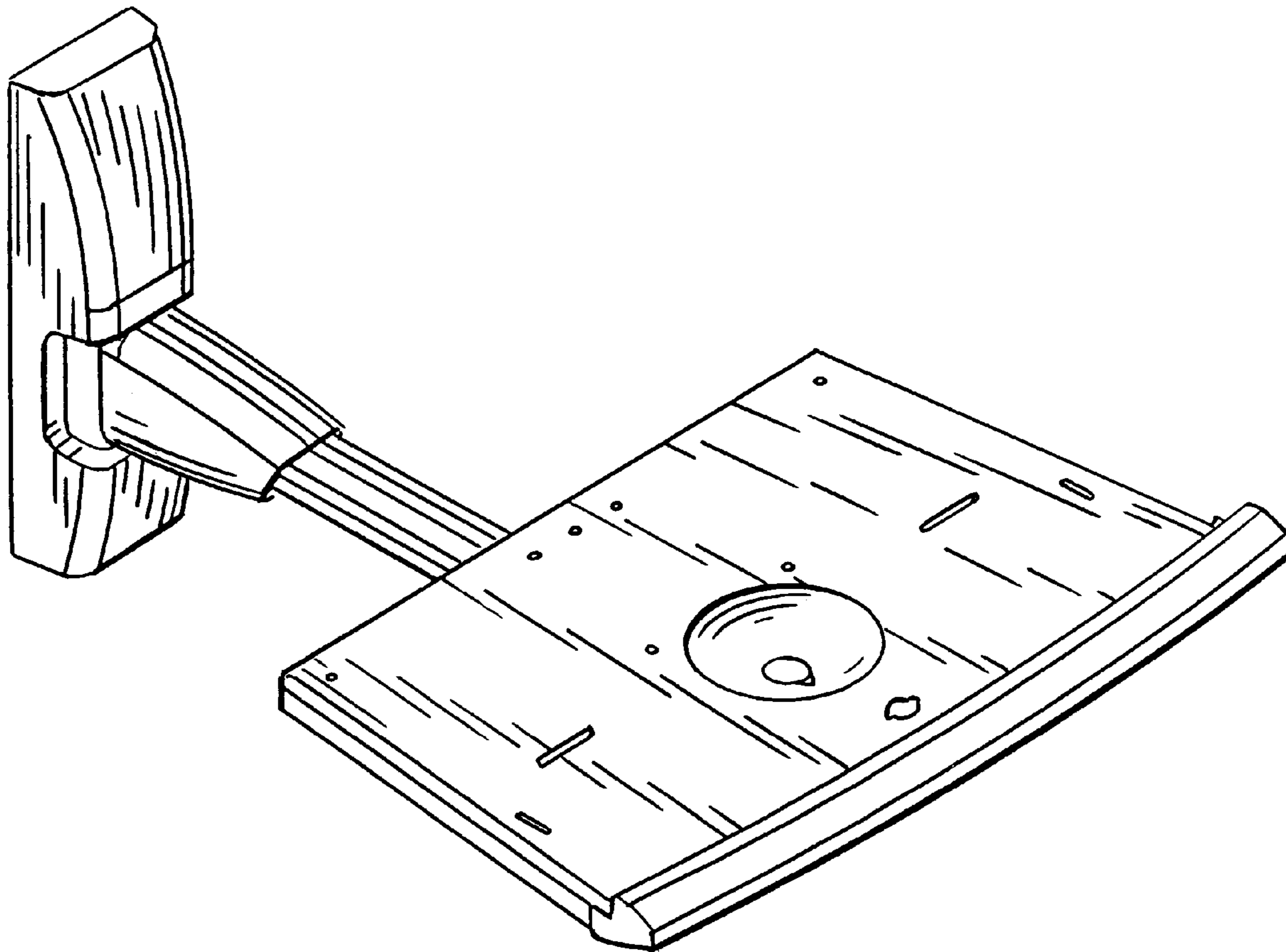
[57] **CLAIM**

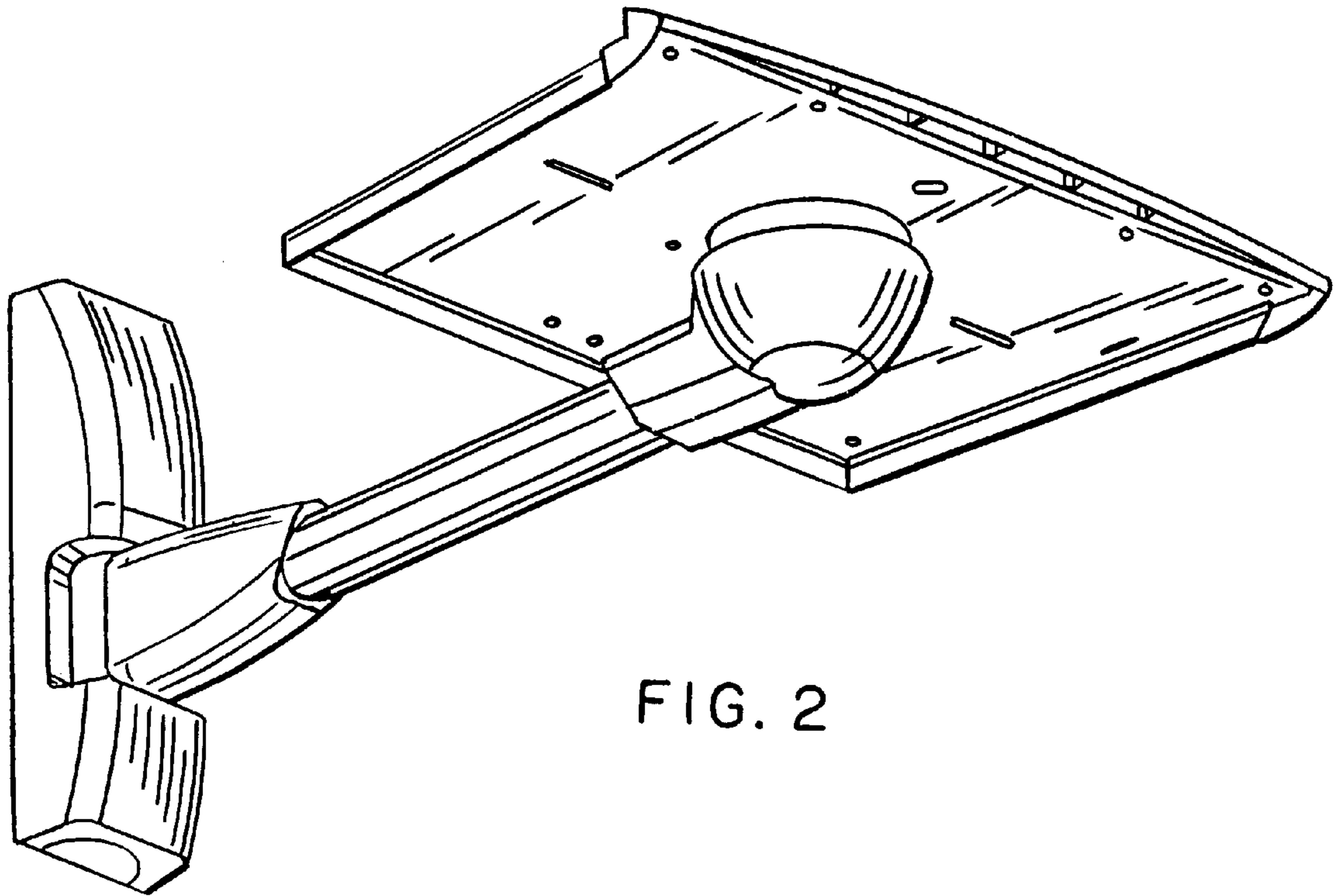
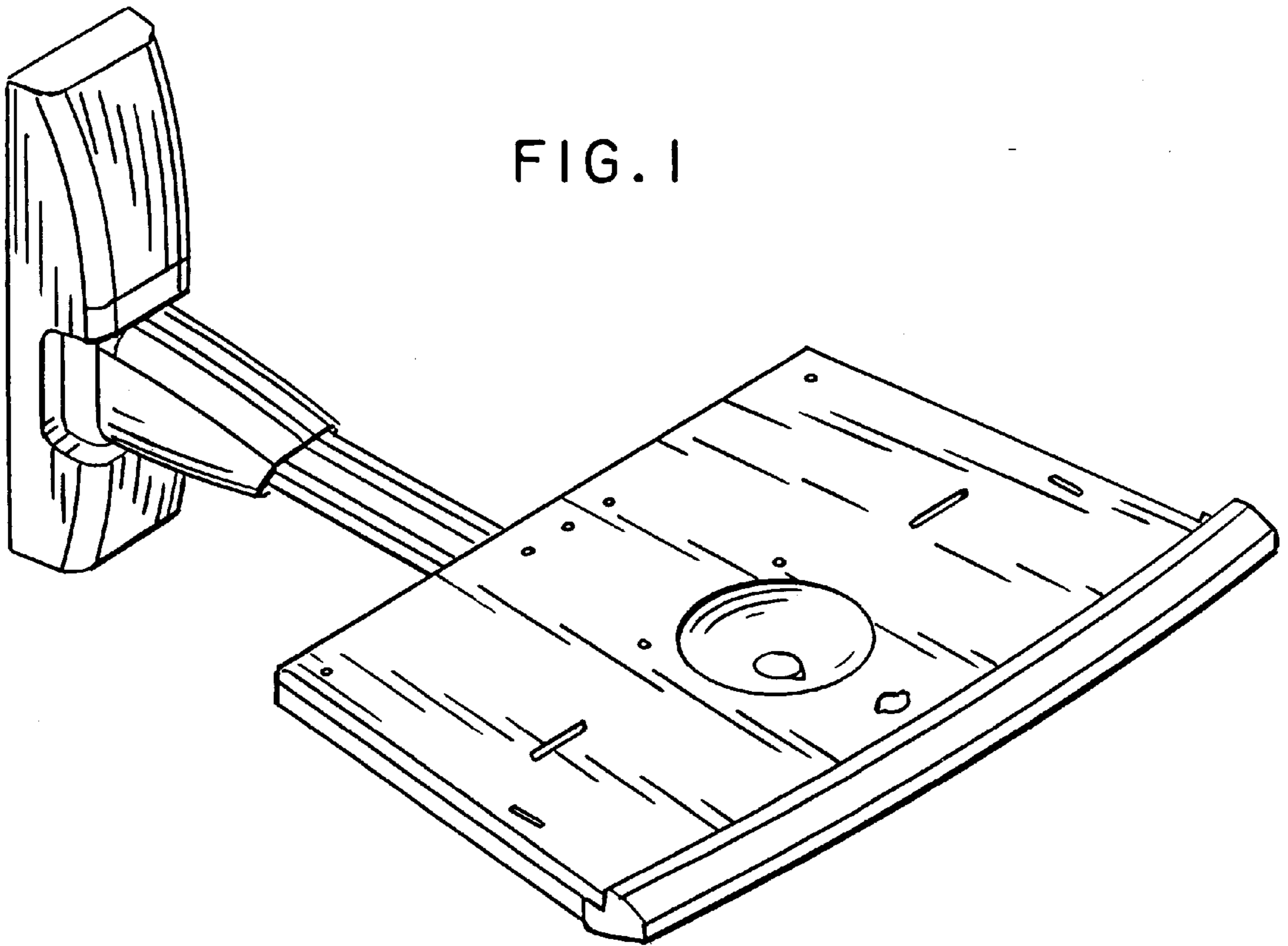
The ornamental design for a "TV support", as shown.

DESCRIPTION

FIG. 1 is an upper perspective view showing my new design;
FIG. 2 is a lower perspective view showing my new design;
FIG. 3 is a left side view showing my new design;
FIG. 4 is a right side view showing my new design;
FIG. 5 is a front view showing my new design;
FIG. 6 is a rear view showing my new design;
FIG. 7 is a top view showing my new design; and,
FIG. 8 is a bottom view showing my new design.

1 Claim, 4 Drawing Sheets





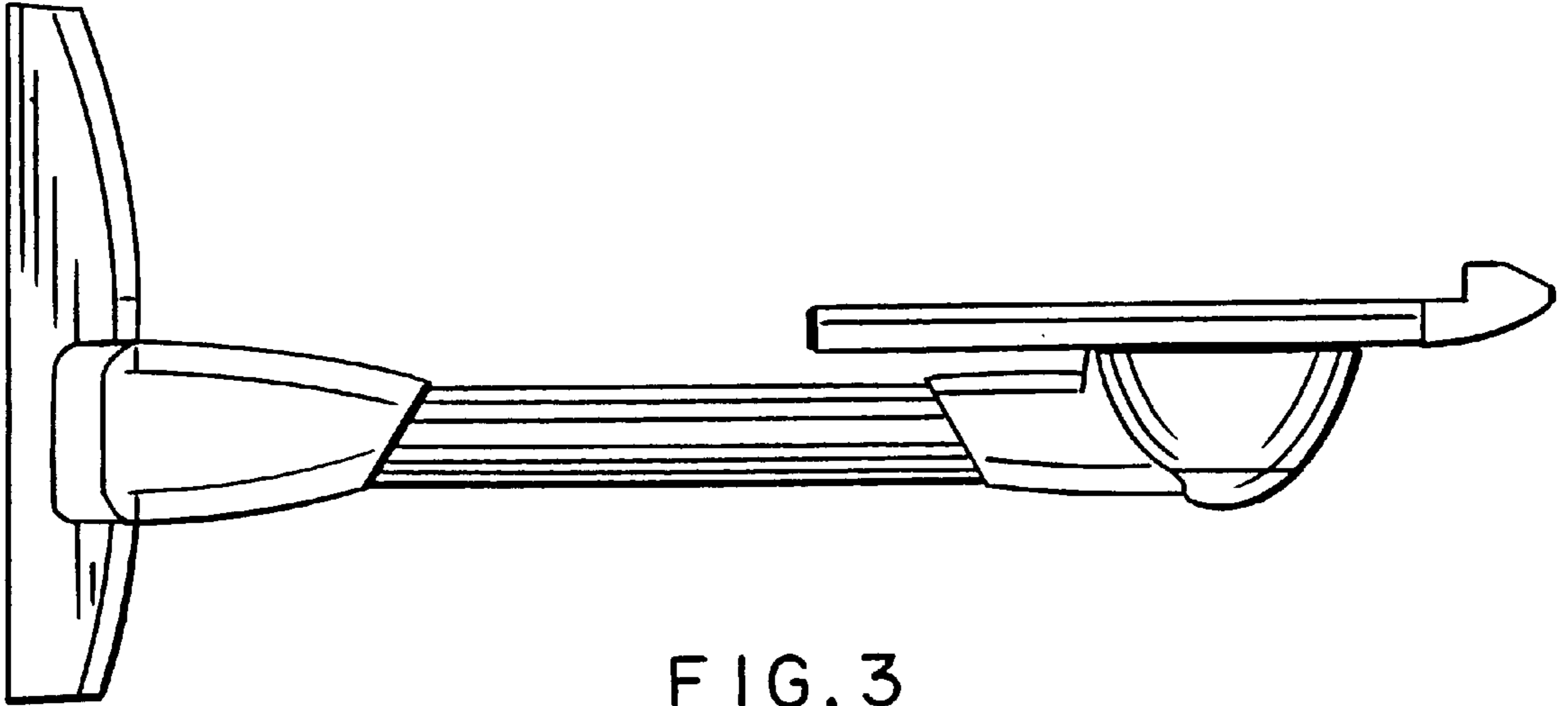


FIG. 3

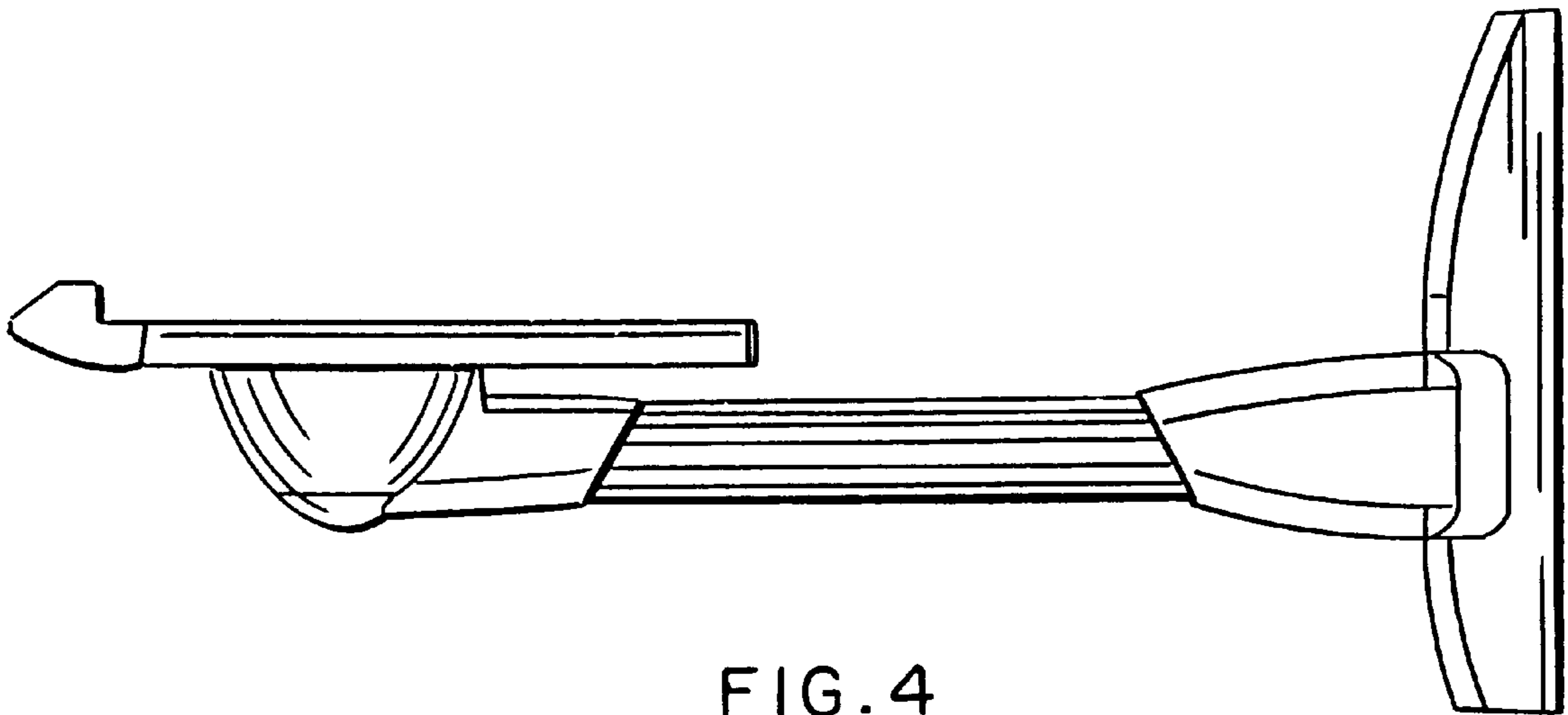


FIG. 4

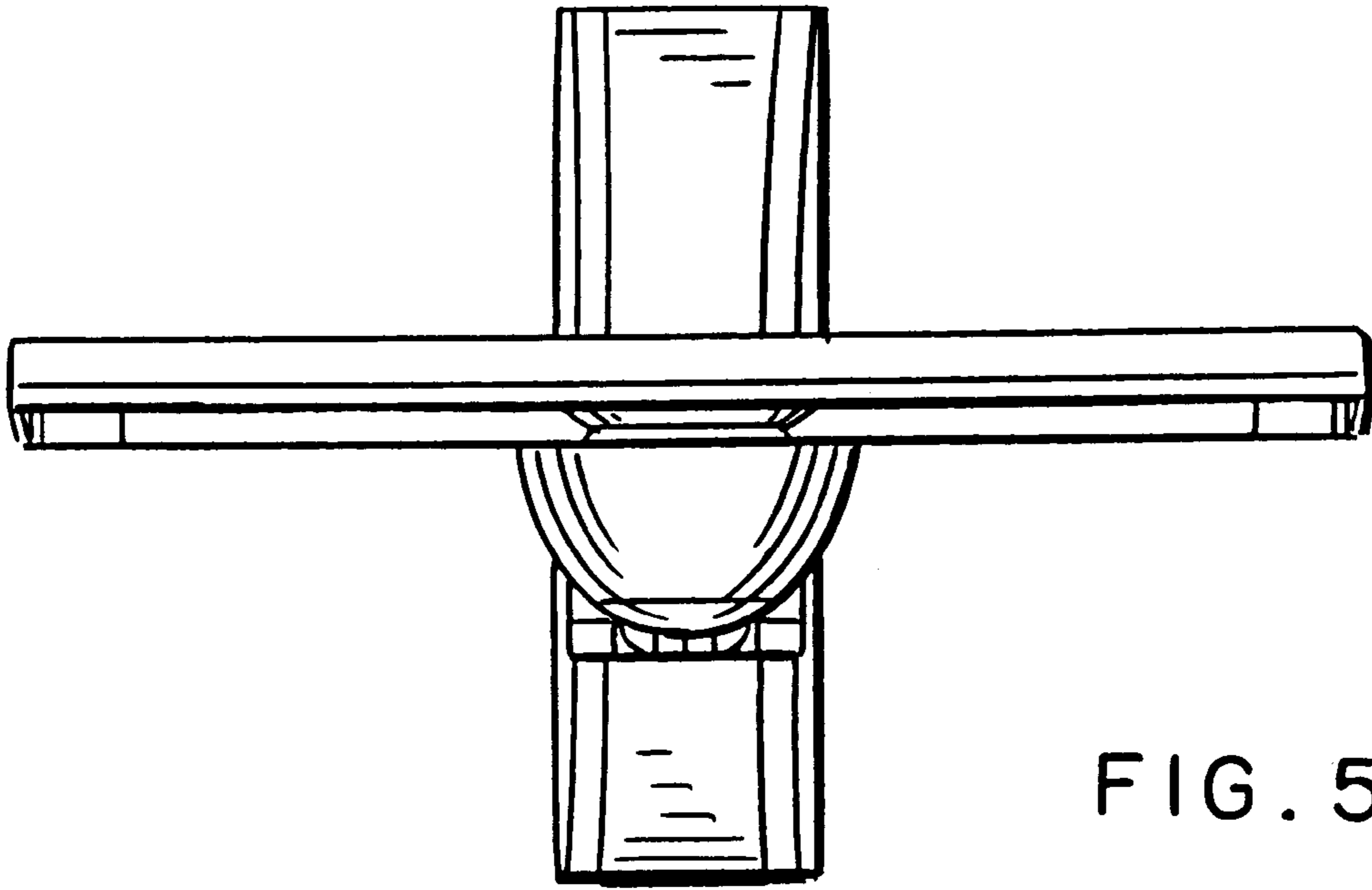


FIG. 5

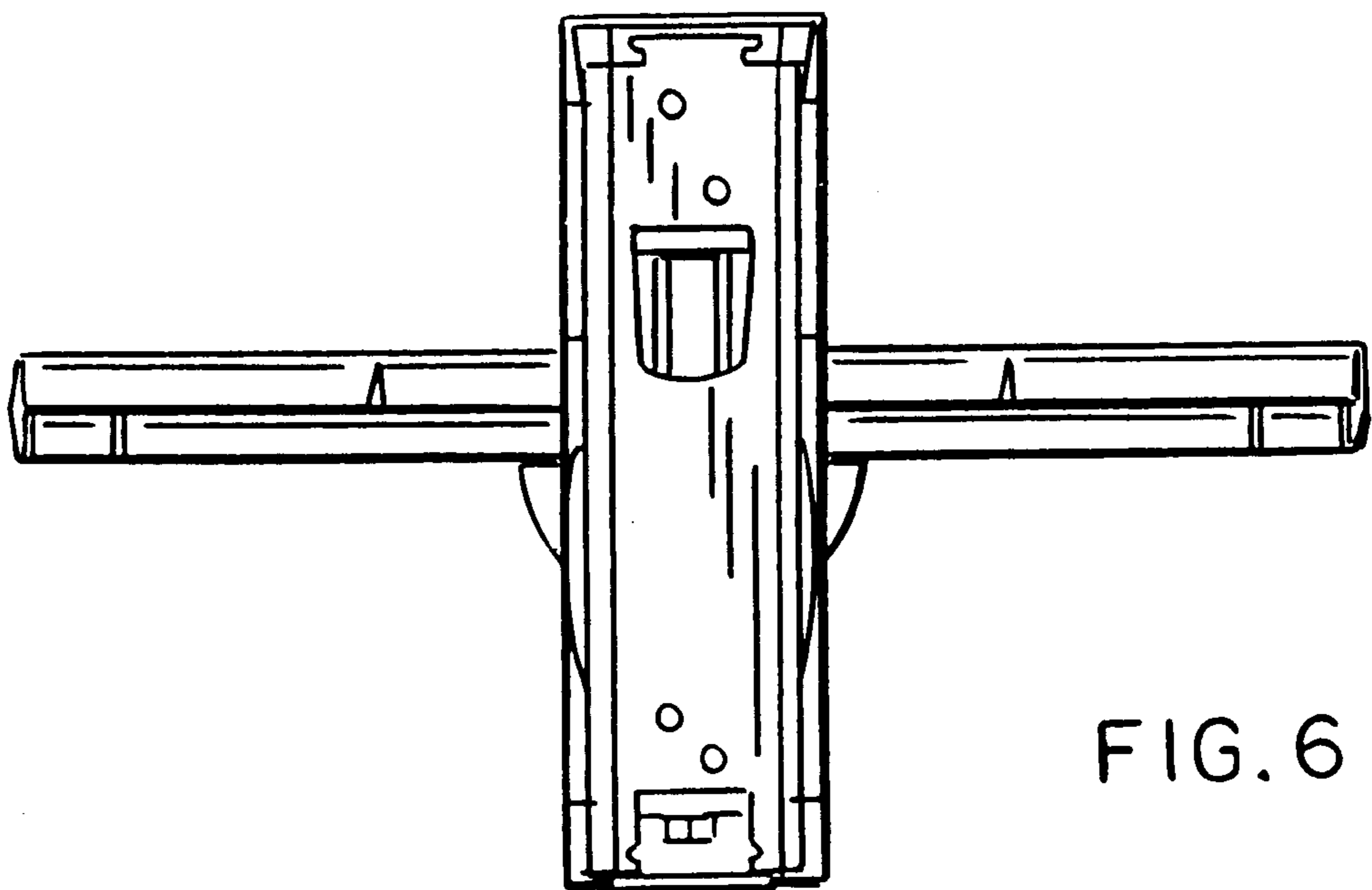


FIG. 6

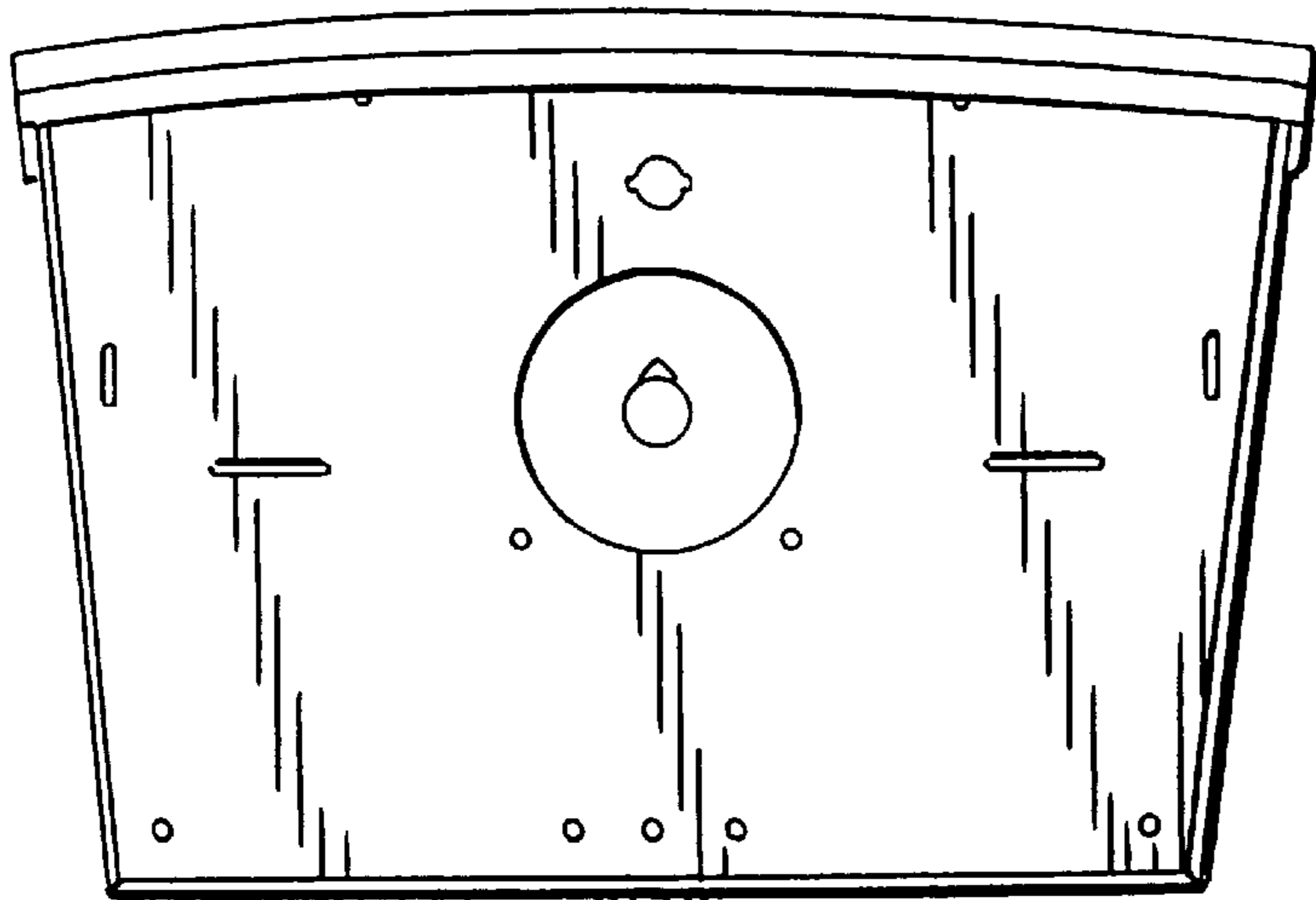


FIG. 7

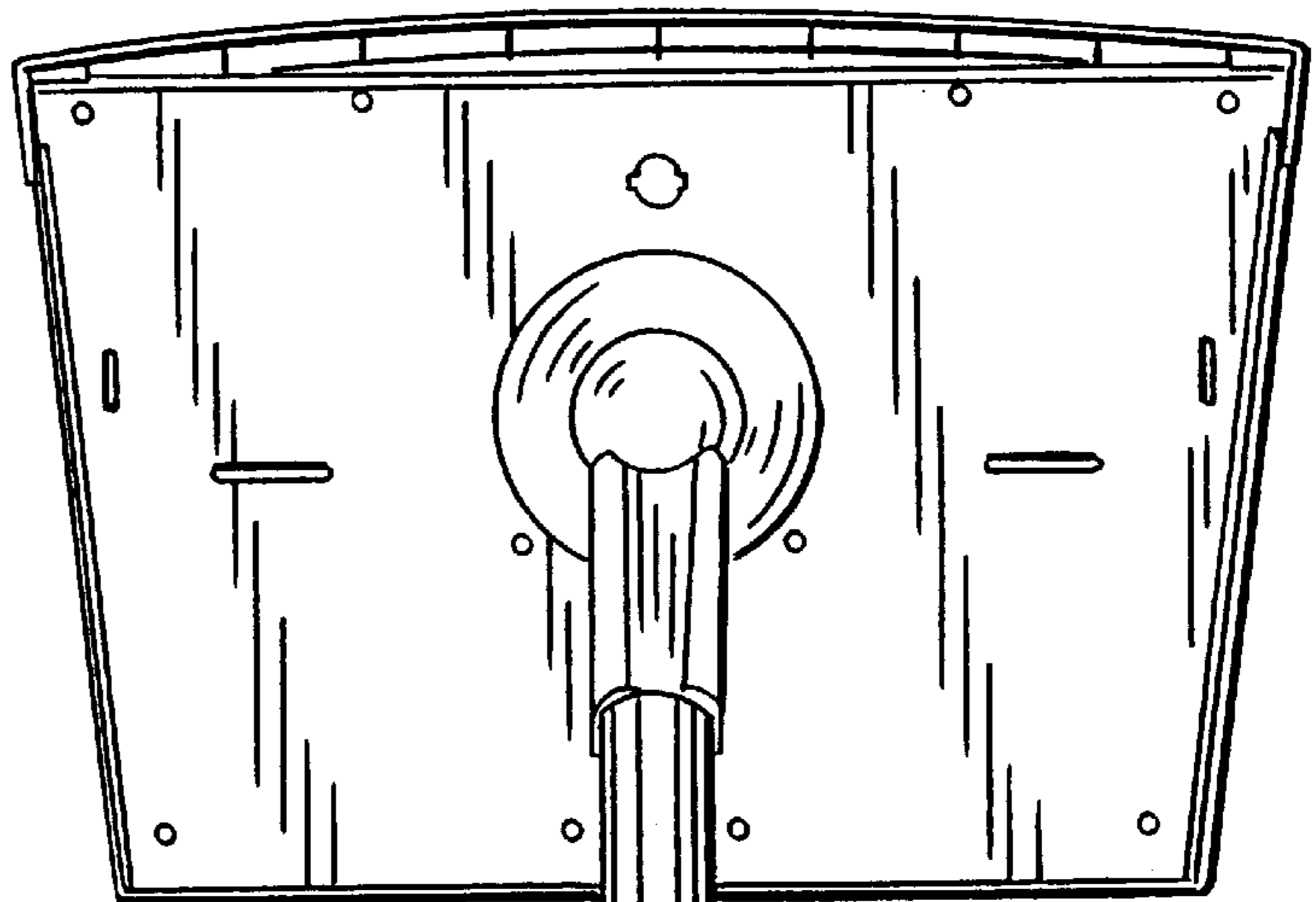


FIG. 8

