



US00D410830S

United States Patent [19]

Pusateri et al.

[11] Patent Number: **Des. 410,830**

[45] Date of Patent: **** Jun. 8, 1999**

[54] **IMPACT WRENCH**

[75] Inventors: **Daniel J. Pusateri**, Grayslake, Ill.;
James R. Brehm; **Joshua M. Beer**,
both of Racine, Wis.

[73] Assignee: **Snap-on Tools Company**, Kenosha,
Wis.

[**] Term: **14 Years**

[21] Appl. No.: **29/091,532**

[22] Filed: **Jul. 31, 1998**

[51] **LOC (6) Cl.** **08-05**

[52] **U.S. Cl.** **D8/68**; D8/61

[58] **Field of Search** D8/61, 68; 81/54,
81/57.13, 57.14, 177.1; 173/169, 170

[56] **References Cited**

U.S. PATENT DOCUMENTS

- D. 156,319 12/1949 Bushnell .
- D. 159,044 6/1950 Bushnell .
- D. 223,134 3/1972 Bunyea D8/68

- D. 256,980 9/1980 Adams D8/68
- D. 288,769 3/1987 Doman D8/68
- D. 294,001 2/1988 Greenlee D8/68
- D. 324,802 3/1992 Caskey D8/68
- D. 384,562 10/1997 Ta-Li D8/68
- D. 396,620 8/1998 Sung D8/68

Primary Examiner—Nelson C. Holtje
Attorney, Agent, or Firm—Emrich & Dithmar

[57] **CLAIM**

The ornamental design for the impact wrench, as shown and described.

DESCRIPTION

FIG. 1 is a perspective view of the impact wrench showing our new design;
FIG. 2 is a front elevational view thereof;
FIG. 3 is a side elevational view of one side thereof;
FIG. 4 is an rear elevational view thereof;
FIG. 5 is an top plan view thereof;
FIG. 6 is a bottom plan view thereof; and,
FIG. 7 is a side elevational view of the other side thereof.

1 Claim, 4 Drawing Sheets

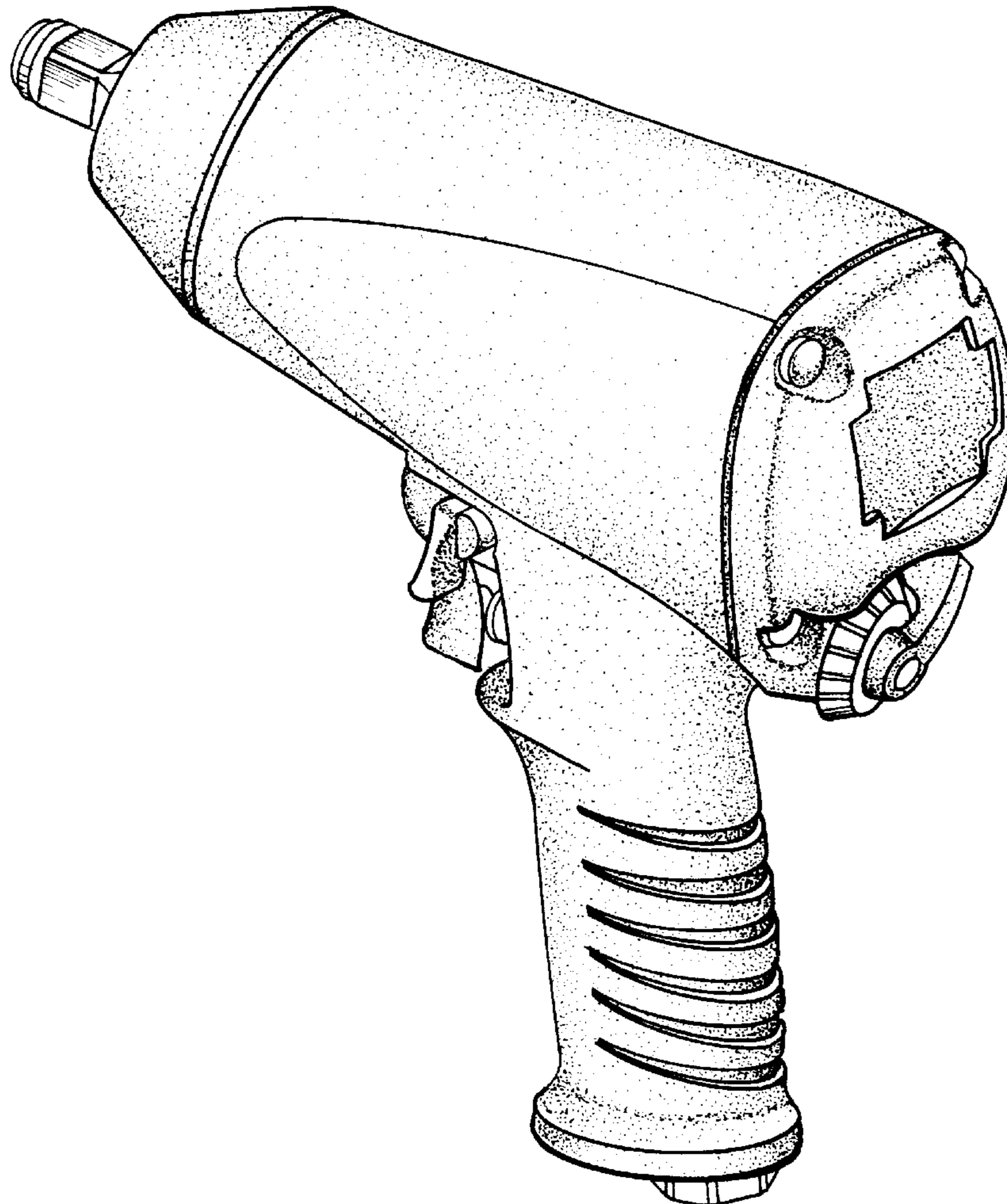


FIG. 1

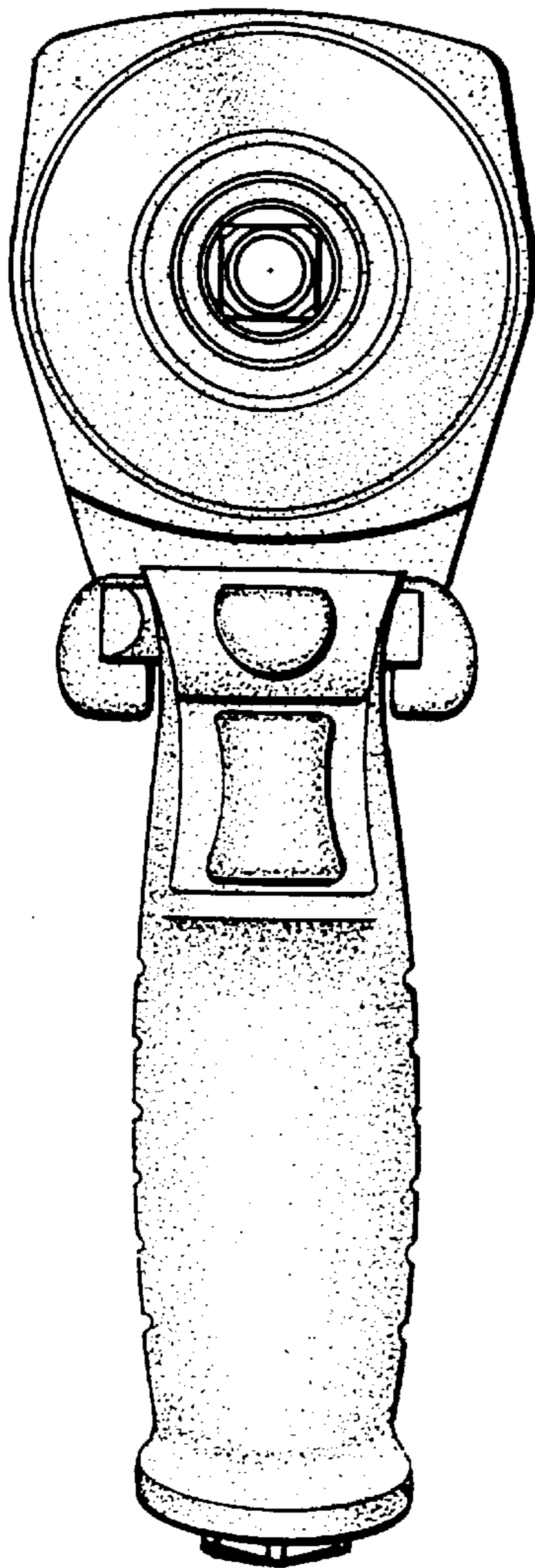
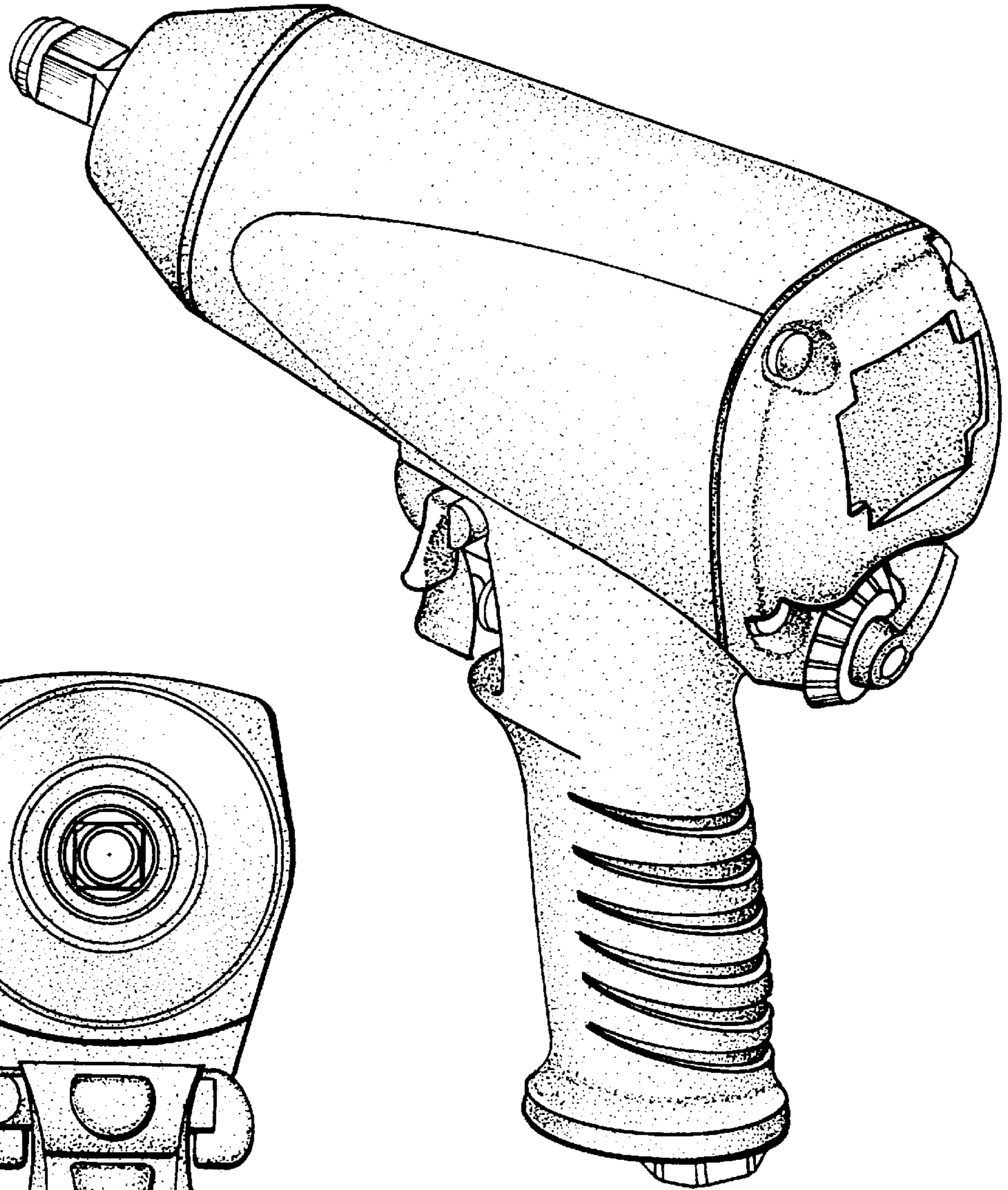


FIG. 2

FIG. 3

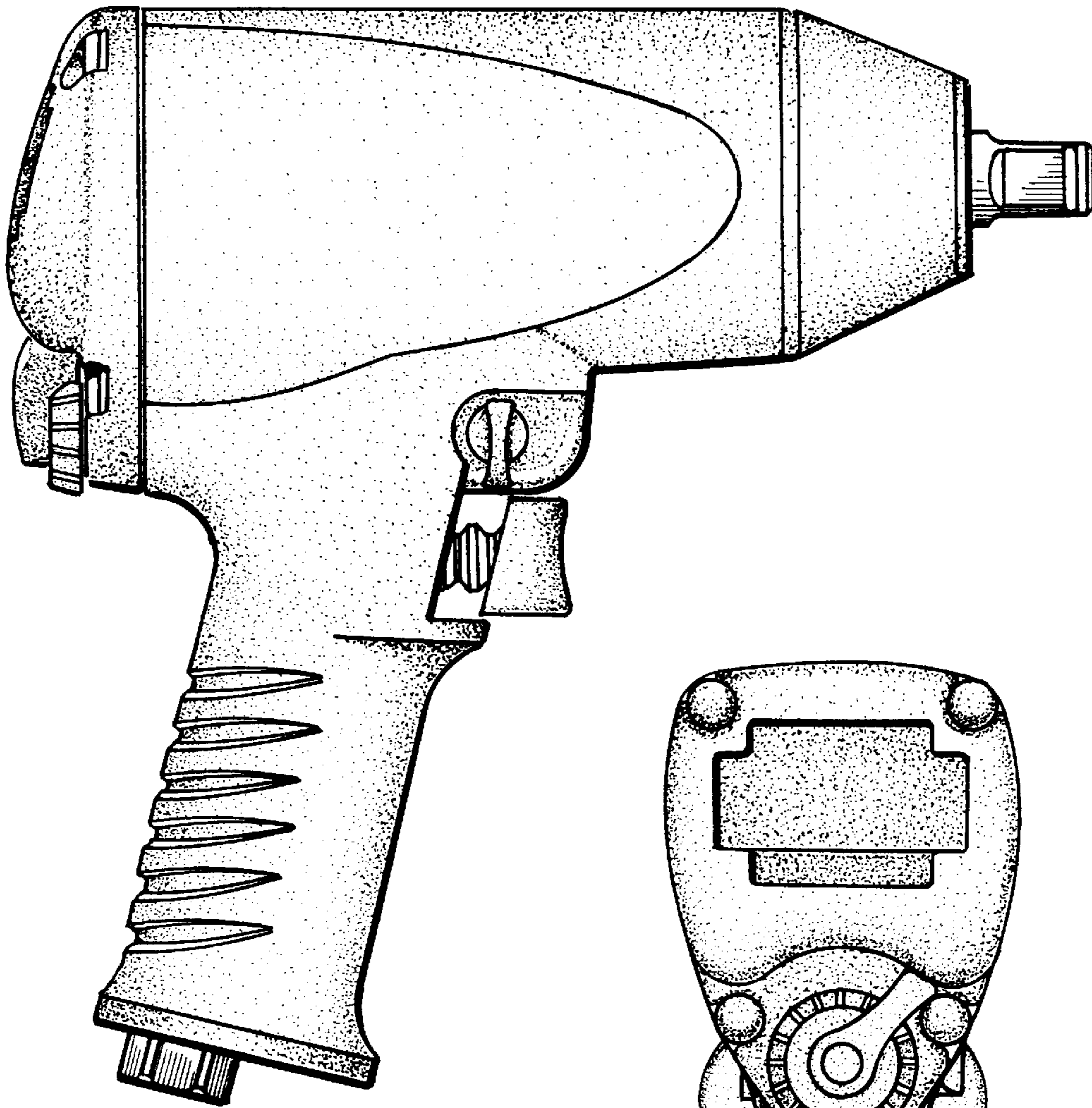


FIG. 4

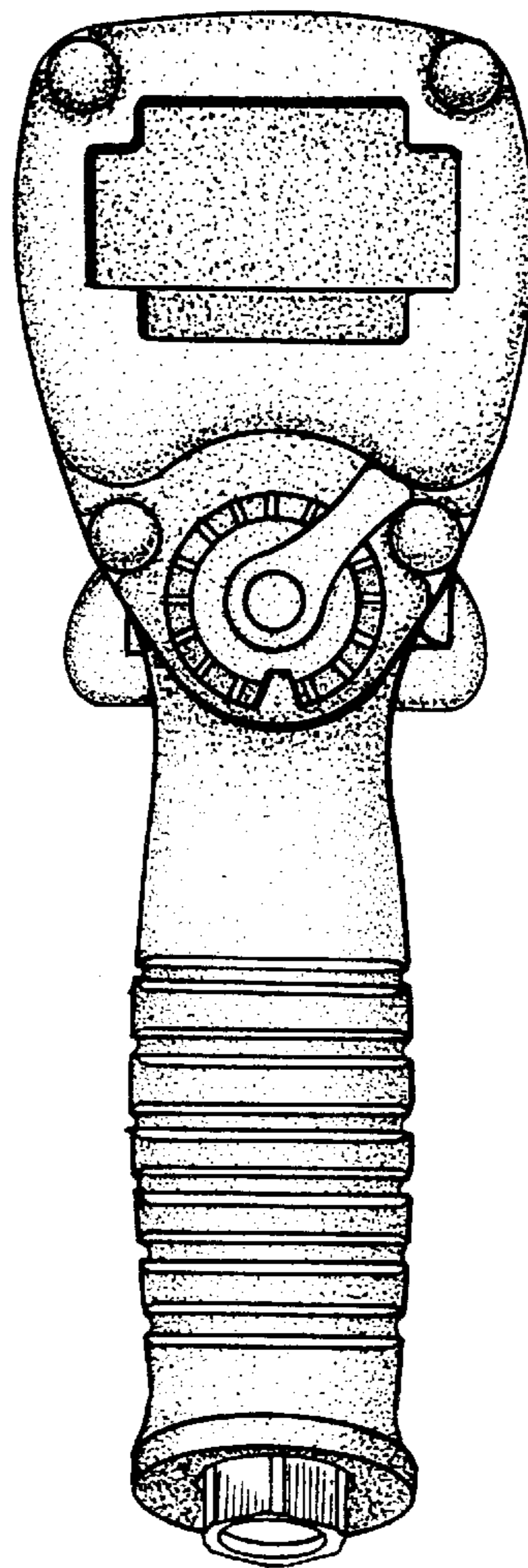


FIG. 5

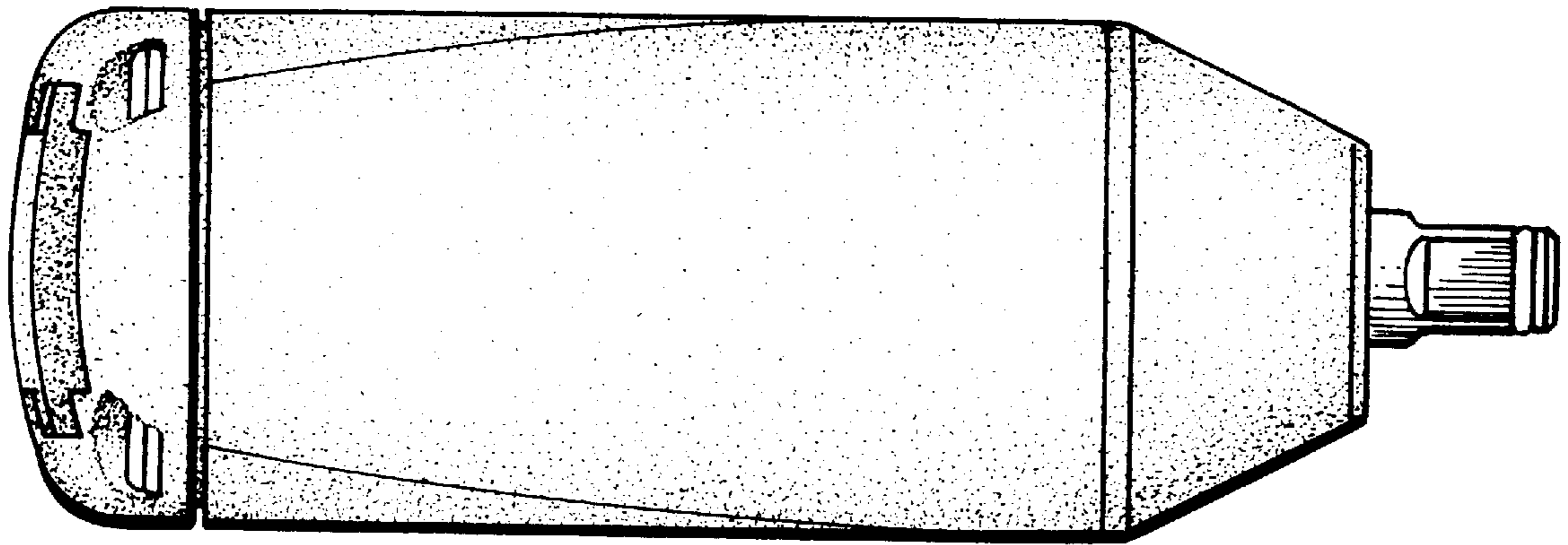


FIG. 6

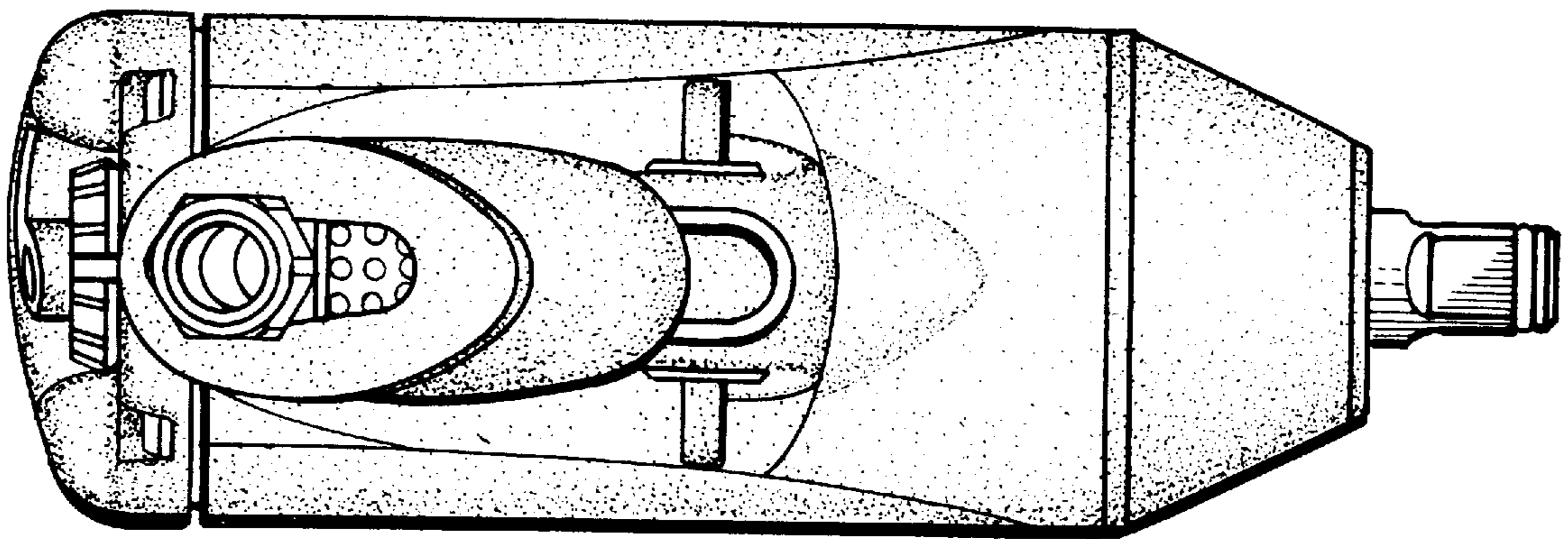


FIG. 7

