



US00D410828S

# United States Patent [19] Rivera

[11] Patent Number: **Des. 410,828**

[45] Date of Patent: **\*\* \*Jun. 8, 1999**

[54] **FOLDED TOOL WITH CARRYING CLIP**

[75] Inventor: **Benjamin C. Rivera**, West Linn, Oreg.

[73] Assignee: **Leatherman Tool Group, Inc.**,  
Portland, Oreg.

[\*] Notice: This patent is subject to a terminal disclaimer.

[\*\*] Term: **14 Years**

[21] Appl. No.: **29/080,043**

[22] Filed: **Nov. 26, 1997**

[51] **LOC (6) Cl.** ..... **08-05**

[52] **U.S. Cl.** ..... **D8/55**

[58] **Field of Search** ..... D8/51, 52, 55,  
D8/58, 105; 7/106, 107, 117, 127, 128,  
130, 133, 118; 81/424, 426, 440, 427.5;  
140/117, 118, 121, 139; 30/153, 162, 91.2,  
161, 254; 74/127; D19/35, 56

[56] **References Cited**

**U.S. PATENT DOCUMENTS**

4,384,499 5/1983 Shockley ..... 81/440  
4,744,272 5/1988 Leatherman ..... 81/427.5

4,947,552 8/1990 Barnes ..... 30/161  
4,961,239 10/1990 Boyd, Sr. et al. .... 7/118  
5,142,721 9/1992 Sessions et al. .... 7/128  
5,212,844 5/1993 Sessions et al. .... 7/128

**OTHER PUBLICATIONS**

Leatherman Tool Group, Inc., "The Original Leatherman PST II" —Jul. 1995.

*Primary Examiner*—Freda Nunn  
*Attorney, Agent, or Firm*—Chernoff, Vilhauer, McClung & Stenzel, LLP

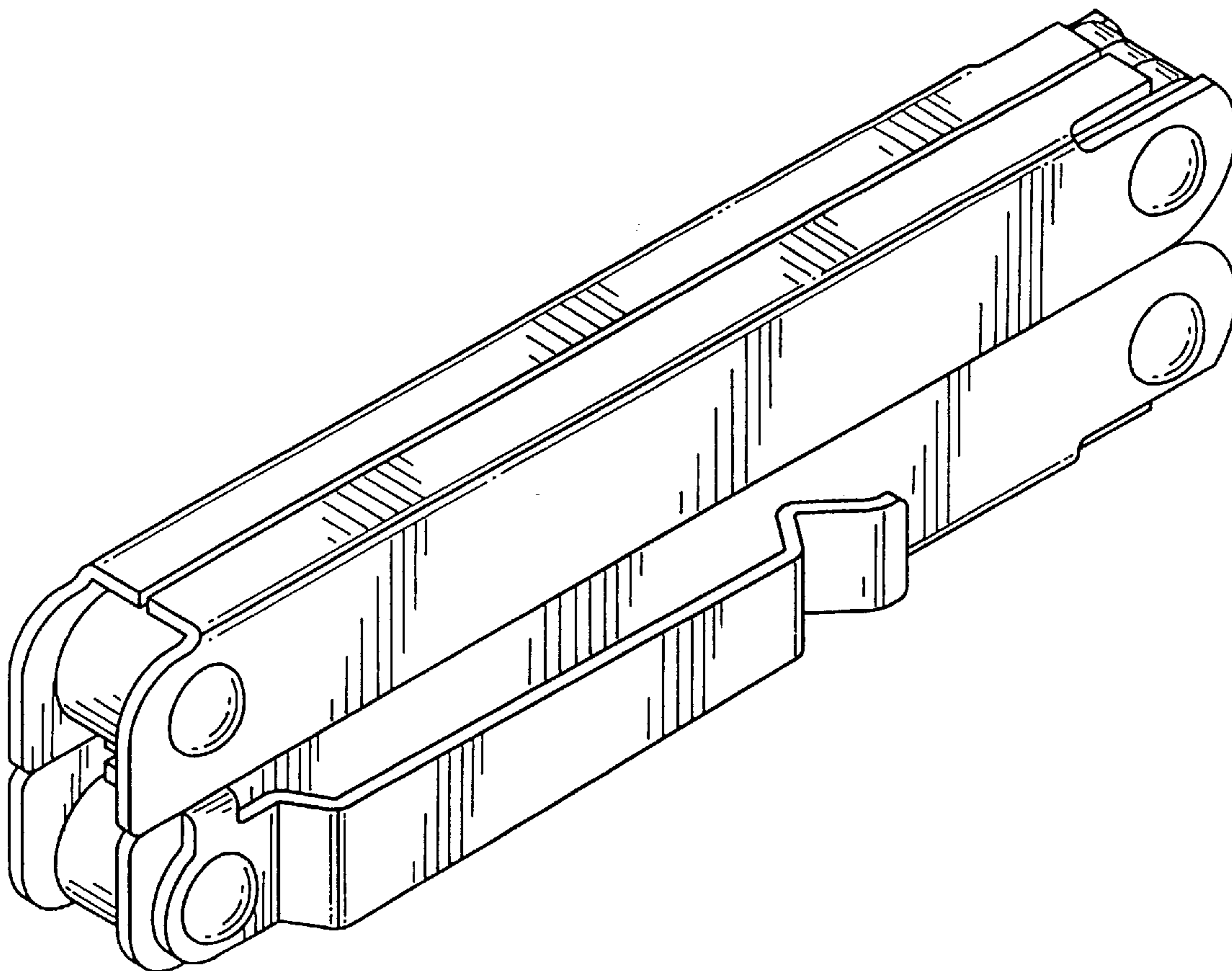
[57] **CLAIM**

The ornamental design for a folded tool with carrying clip, as shown and described.

**DESCRIPTION**

FIG. 1 is an isometric view of a folded tool with carrying clip embodying my new design;  
FIG. 2 is a front side elevational view thereof;  
FIG. 3 is a bottom plan view thereof;  
FIG. 4 is a rear side elevational view thereof;  
FIG. 5 is a top plan view thereof;  
FIG. 6 is a left end elevational view thereof; and,  
FIG. 7 is a right end elevational view thereof.

**1 Claim, 2 Drawing Sheets**



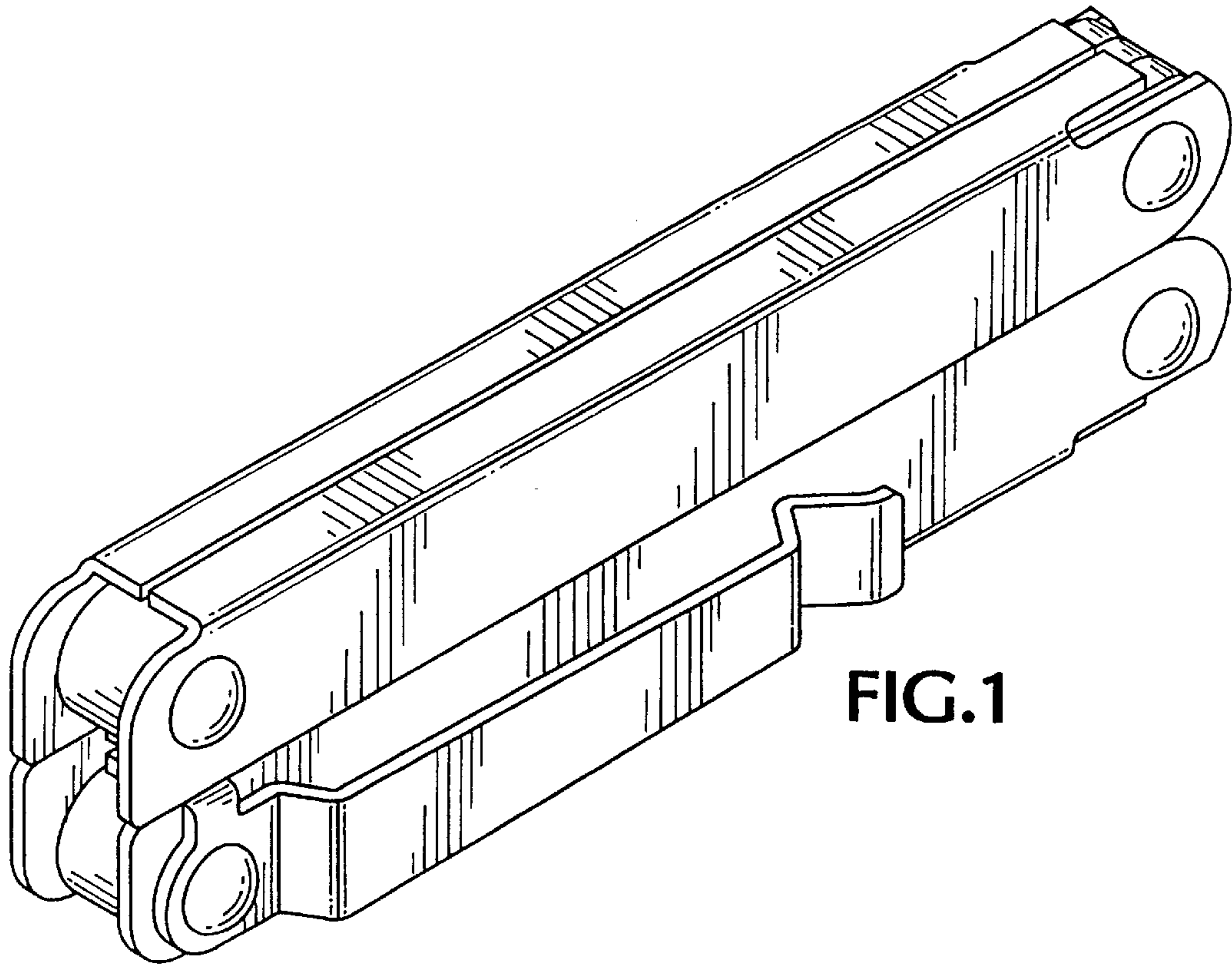


FIG. 1

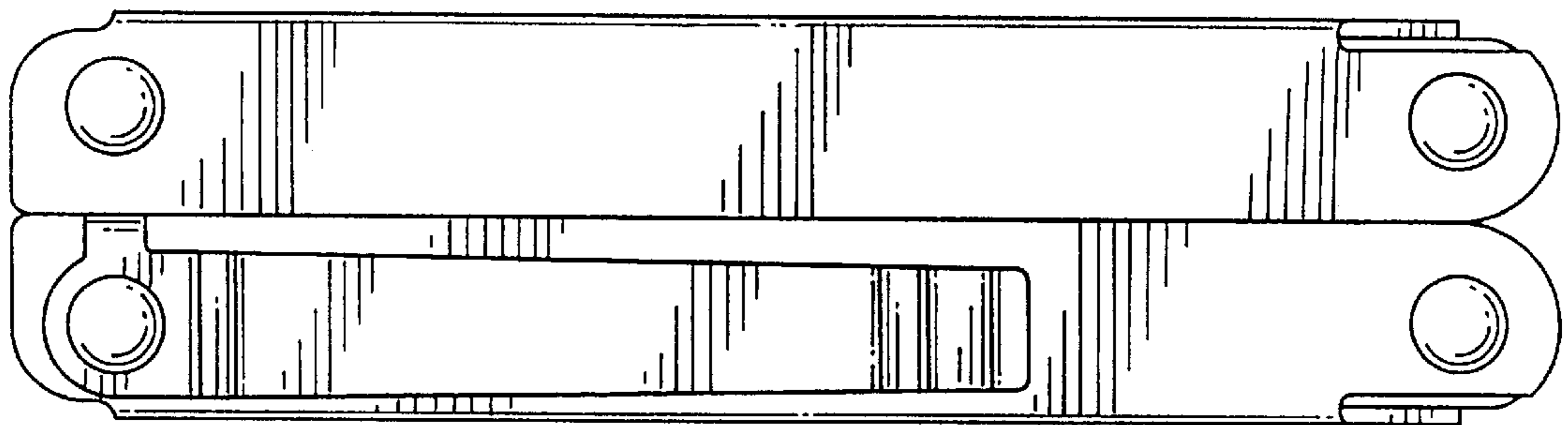


FIG. 2

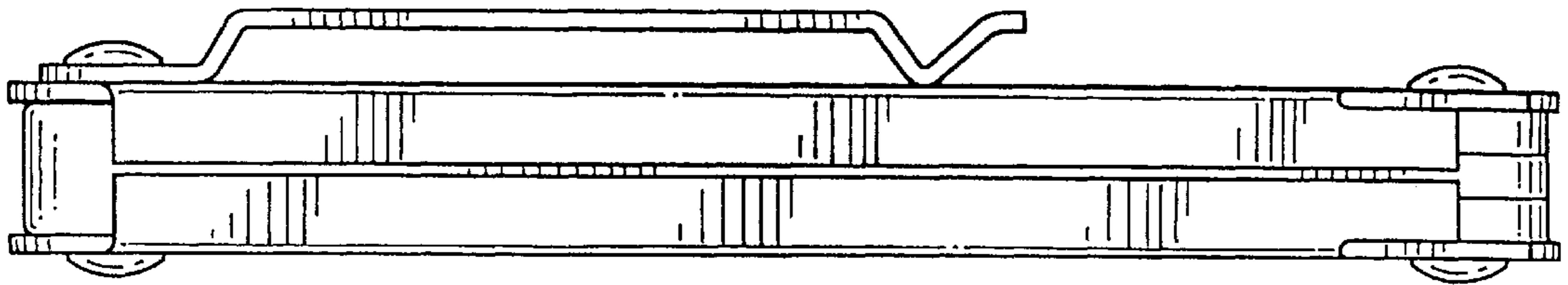


FIG.3

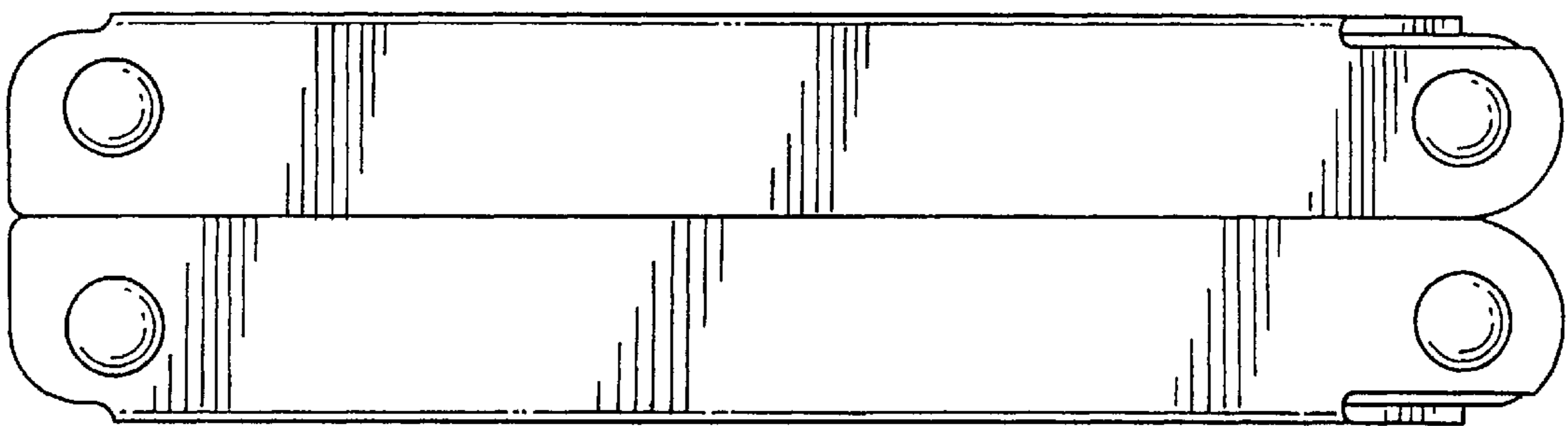


FIG.4

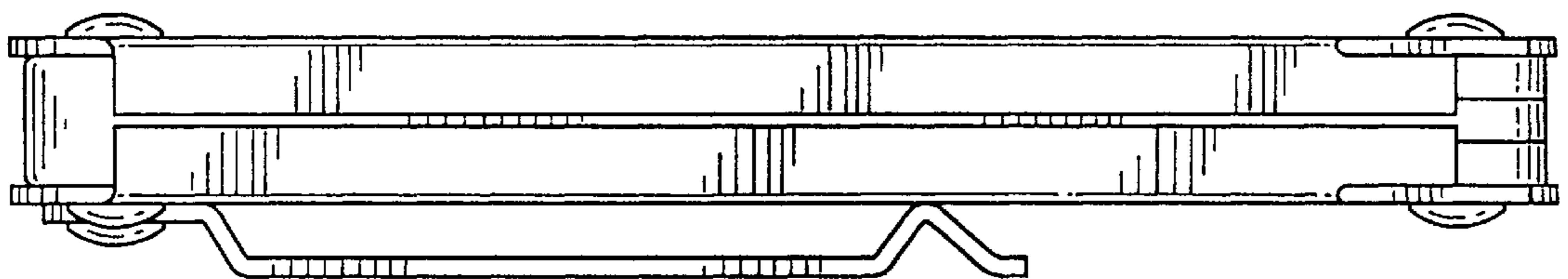


FIG.5

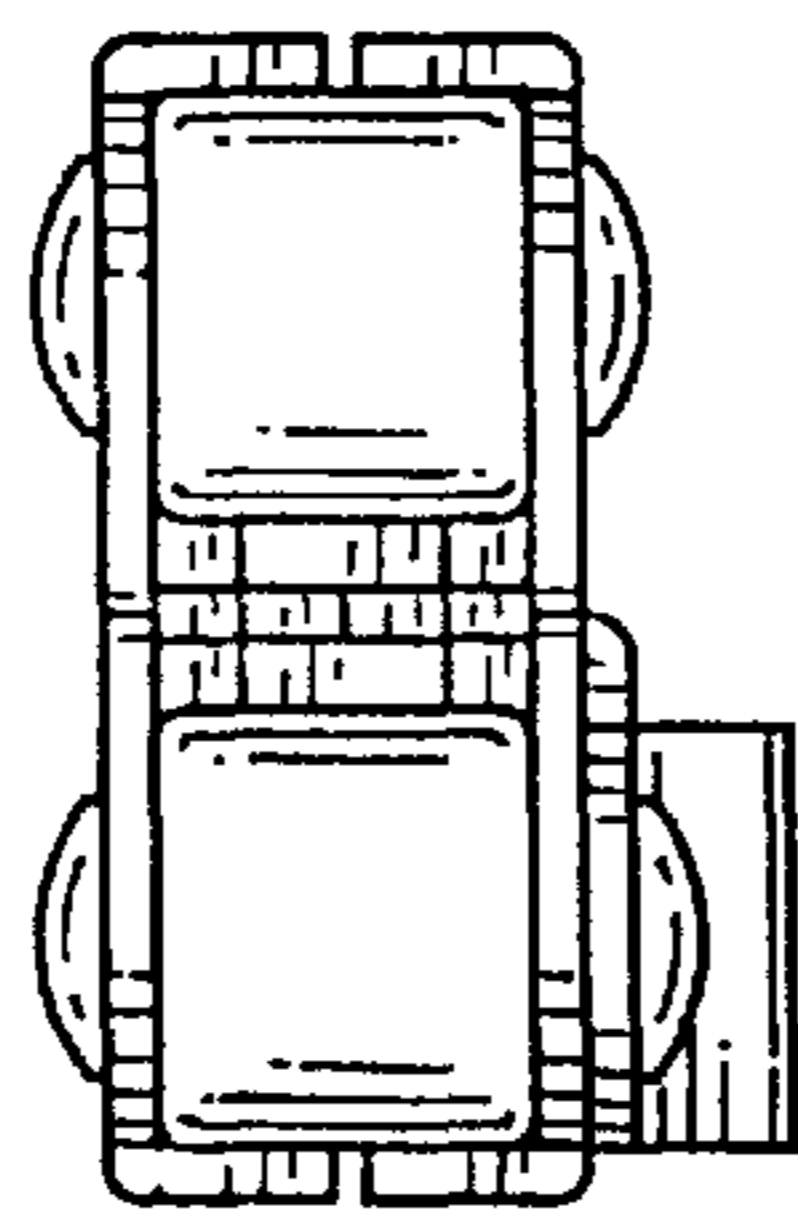


FIG.6

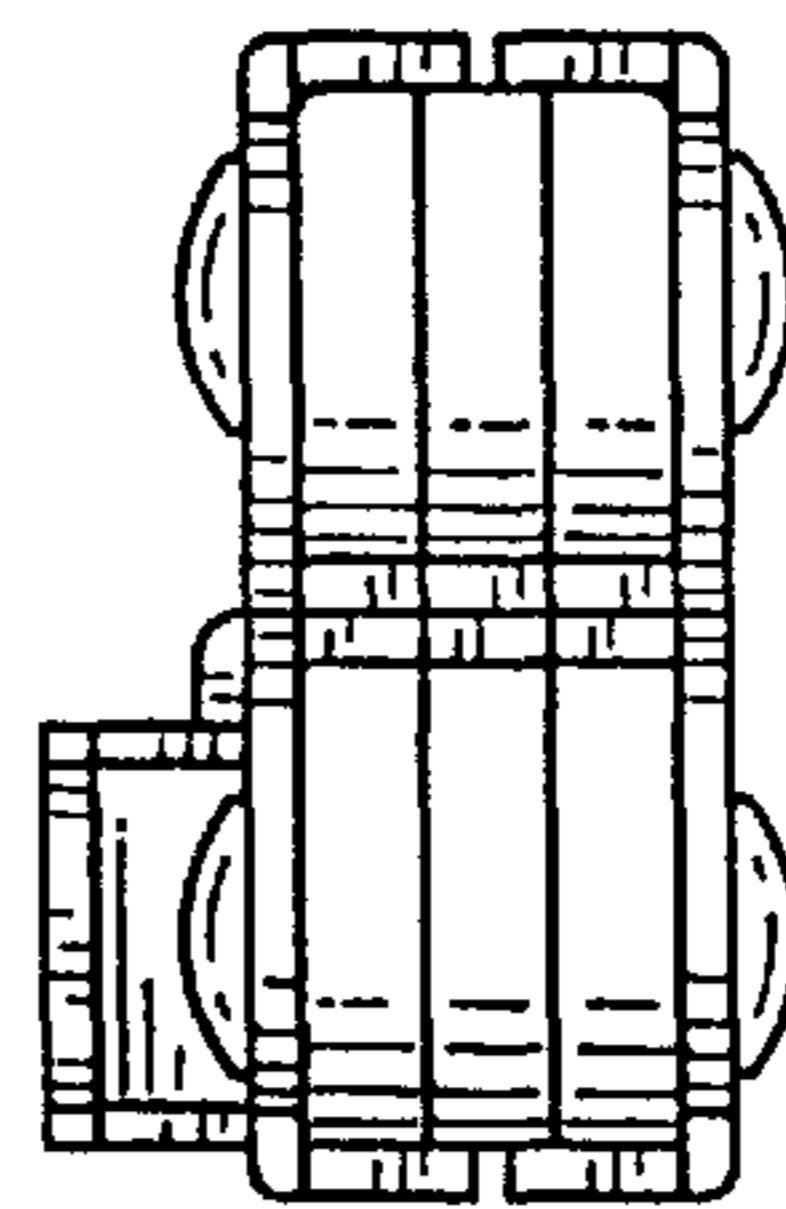


FIG.7