



US00D410825S

United States Patent [19] Spirer

[11] **Patent Number: Des. 410,825**
[45] **Date of Patent: ** Jun. 8, 1999**

[54] **STUD REMOVER**
[76] Inventor: **Steven E. Spirer**, 391 Haworth Ave.,
Haworth, N.J. 07641
[**] Term: **14 Years**
[21] Appl. No.: **29/073,471**
[22] Filed: **Jul. 9, 1997**
[51] **LOC (6) Cl. 08-05**
[52] **U.S. Cl. D8/14**
[58] **Field of Search D8/14, 399; 81/53.2;**
279/43.1, 43.2, 43.5

3,587,363 6/1971 Rogers 81/53.2
3,718,058 2/1973 Jones, Jr. 81/53.2
3,735,650 5/1973 Weng, Jr. 81/53.2
3,769,861 11/1973 Kisle et al. 81/53.2
4,569,257 2/1986 Hess 81/53.2
4,603,605 8/1986 Miller 81/53.2
5,253,556 10/1993 Kelly et al. 81/53.2
5,315,902 5/1994 Rabland et al. 81/53.2

Primary Examiner—Ted Shooman
Assistant Examiner—Richelle Shelton
Attorney, Agent, or Firm—Weingram & Associates, P.C.

[57] CLAIM

I claim the ornamental design for a stud remover, as shown.

DESCRIPTION

FIG. 1 is a front perspective view showing my new design for a stud remover according to the present invention; FIG. 2 is an enlarged front elevational view of the stud remover; FIG. 3 is a back elevational view thereof; FIG. 4 is a top plan view thereof, the opposite view being a mirror image thereof; and, FIG. 5 is a side view thereof, the opposite side view being a mirror image thereof. The characteristic feature of the stud remover design resides in the arrangement of slots, each of which has opposed ends terminating in an area of increased diameter.

1 Claim, 3 Drawing Sheets

[56] References Cited

U.S. PATENT DOCUMENTS

D. 249,322	9/1978	Diffenderfer	D8/14
D. 323,273	1/1992	Davis	D8/14
1,186,135	6/1916	Rowe	81/53.2 X
1,807,264	5/1931	Walker	81/53.2
1,815,500	7/1931	Doan	81/53.2
2,043,274	6/1936	Wegner	81/53.2
2,212,972	8/1940	Armstrong	81/53.2
2,367,480	1/1945	Beswick	411/433
2,391,624	12/1945	Heuer	81/53.2
2,681,582	6/1954	Valvano	81/53.2
2,719,445	10/1955	Giebler	81/53.2
3,104,569	9/1963	Davis et al.	81/53.2
3,457,812	7/1969	Wagner et al.	81/52

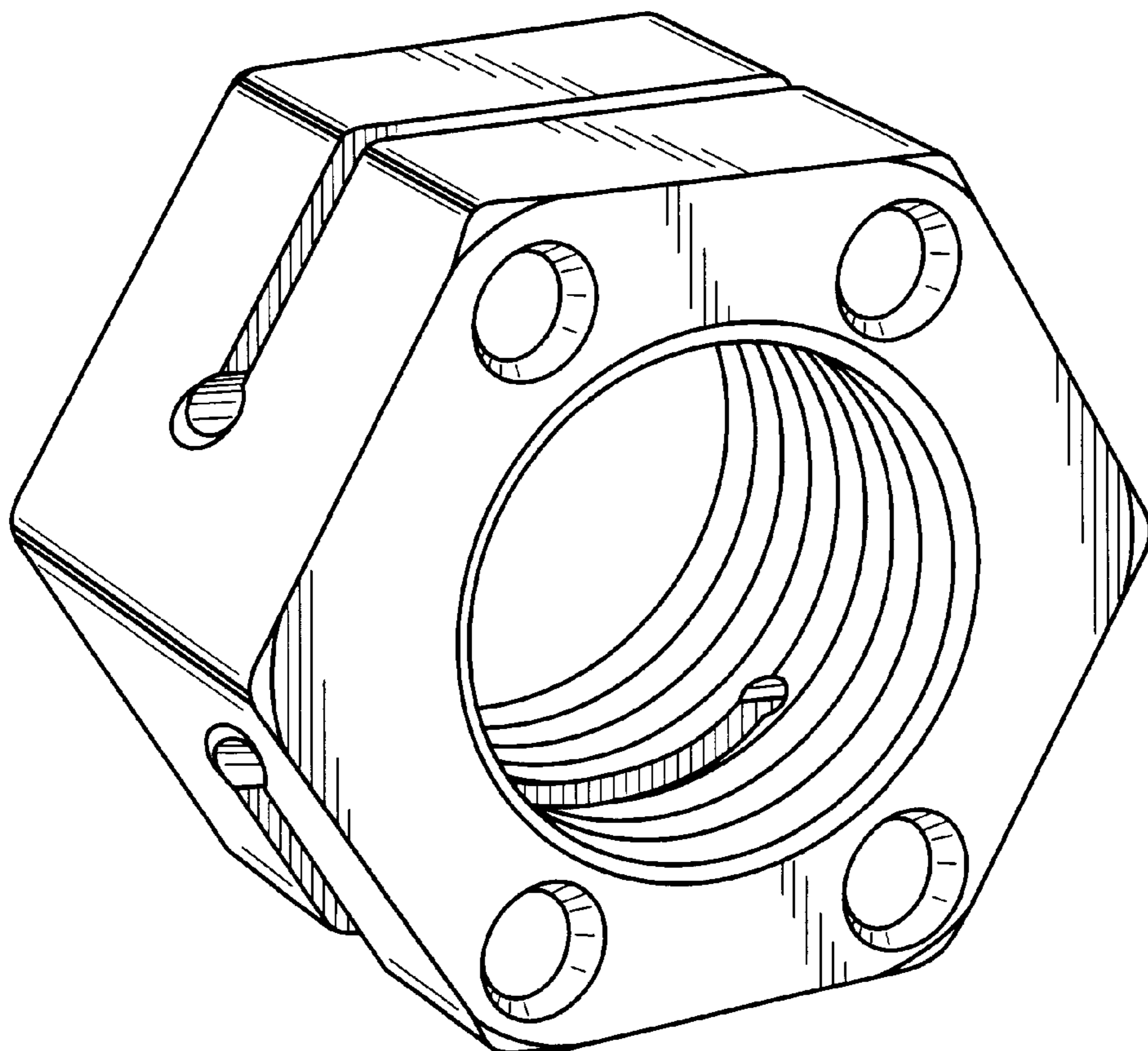


FIG. 1

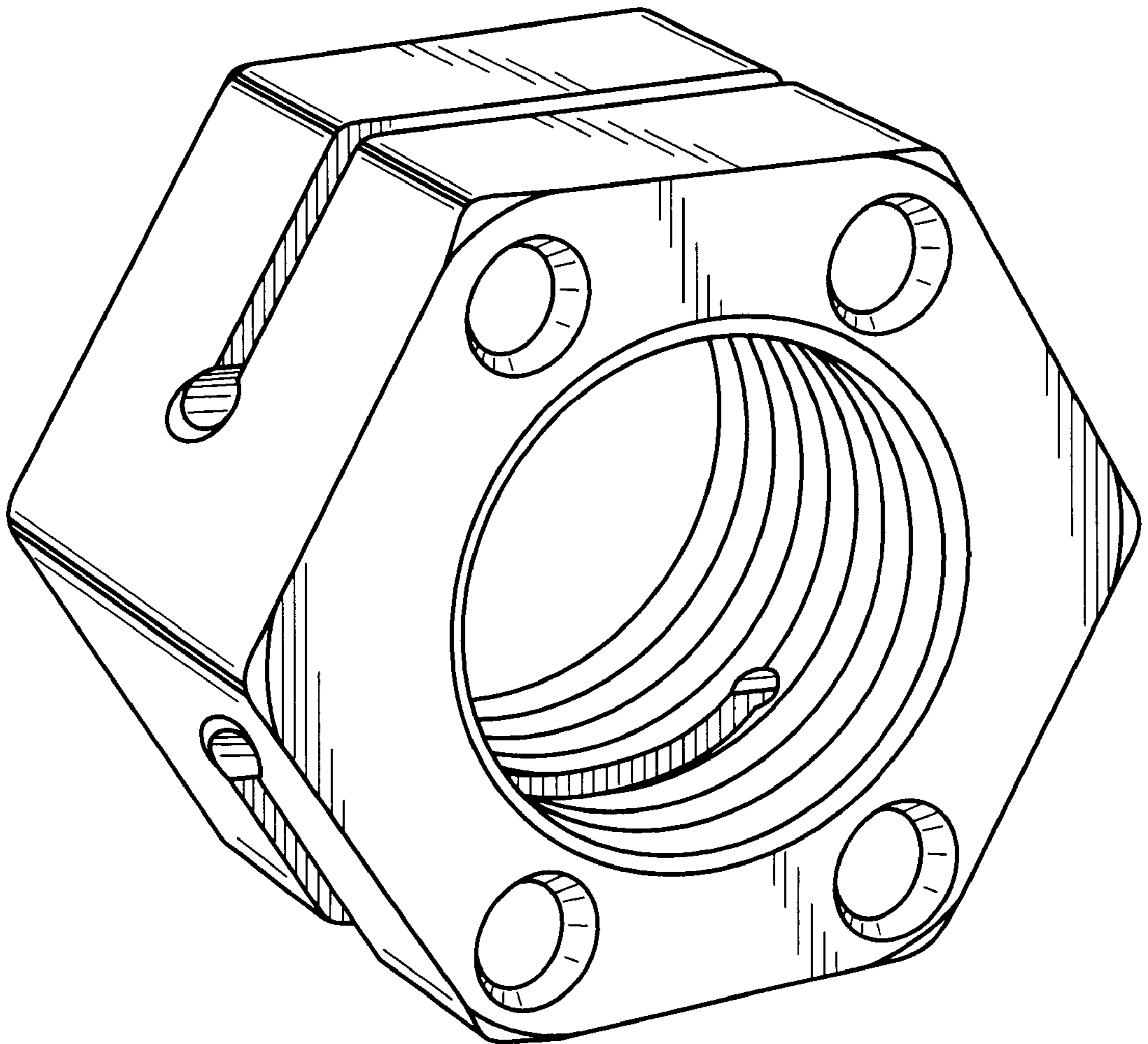


FIG. 2

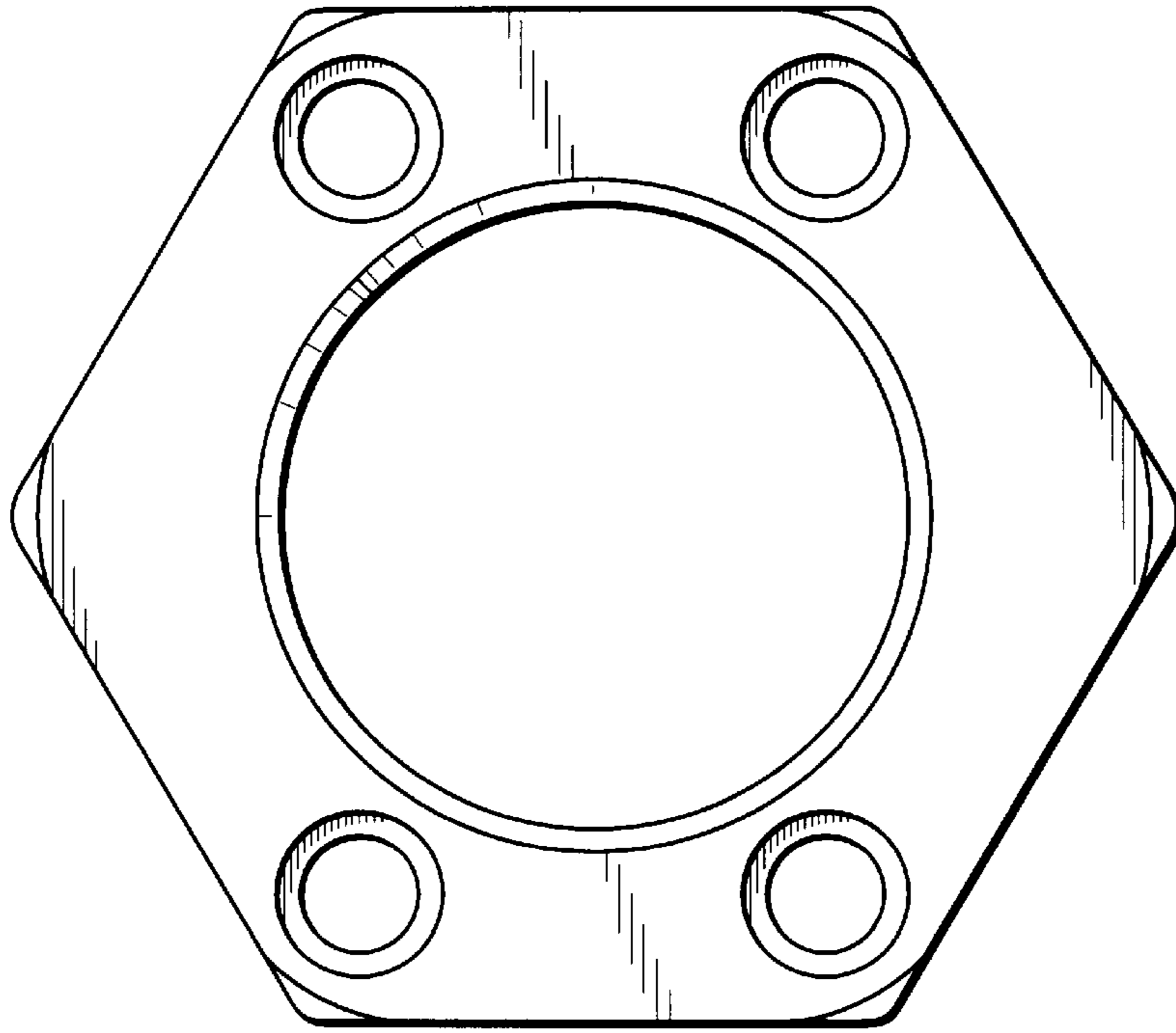


FIG. 3

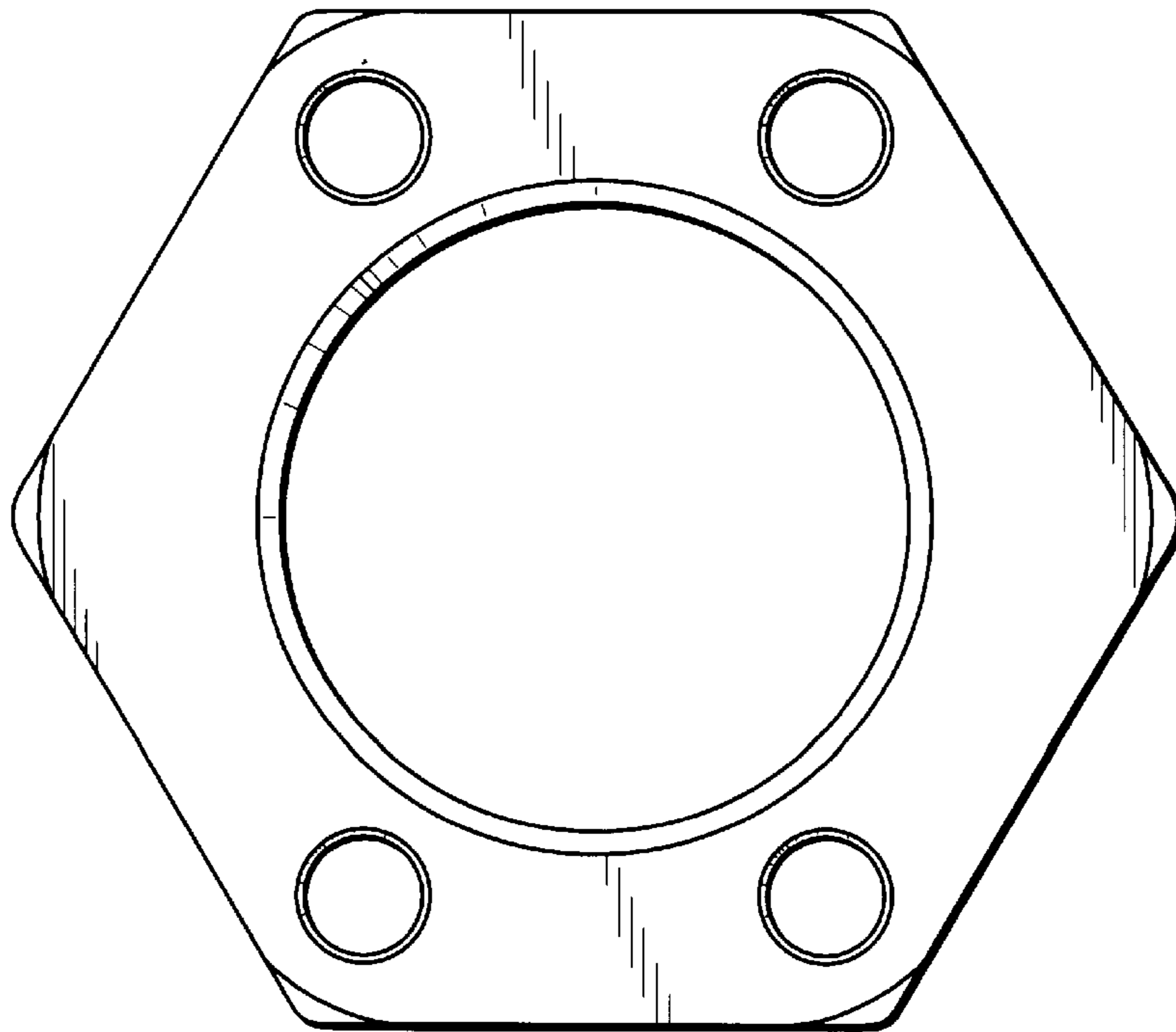


FIG. 4

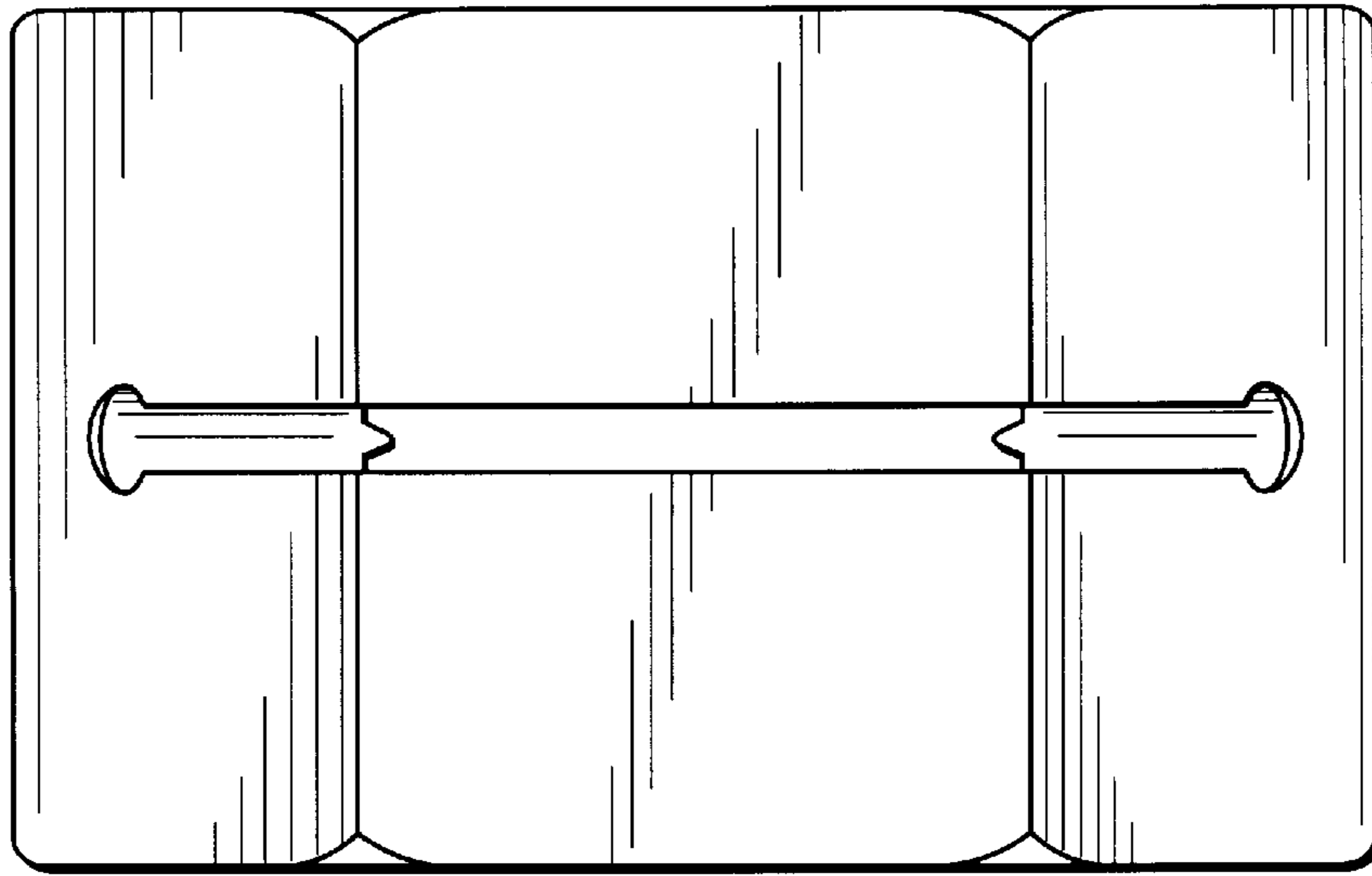


FIG. 5

