



US00D410822S

United States Patent [19]

[11] **Patent Number: Des. 410,822**

Ancona et al.

[45] **Date of Patent: ** Jun. 8, 1999**

[54] **CUTLERY BLOCK AND CUTTING BOARD**

[75] Inventors: **Bruce E. Ancona**, New York; **Jose Suero, Jr.**, Astoria, both of N.Y.

[73] Assignee: **Ekco Housewares, Inc.**

[**] Term: **14 Years**

[21] Appl. No.: **29/076,080**

[22] Filed: **Aug. 11, 1997**

[51] **LOC (6) Cl.** **07-99**

[52] **U.S. Cl.** **D7/638; D7/698**

[58] **Field of Search** **D7/388, 638, 637, D7/698; 269/289 R, 294, 302.1, 309; 99/484; 211/70.7**

[56] **References Cited**

U.S. PATENT DOCUMENTS

D. 140,002	1/1945	Lewis	D7/641
D. 281,850	12/1985	Morin	D7/698
D. 295,249	4/1988	Peterson	D7/637
D. 335,799	5/1993	Jong	D7/638
D. 382,775	8/1997	Skerker et al.	D7/638
5,850,784	12/1998	Conner	99/485

Primary Examiner—Caron D. Veynar
Attorney, Agent, or Firm—Wolf, Greenfield & Sacks, P.C.

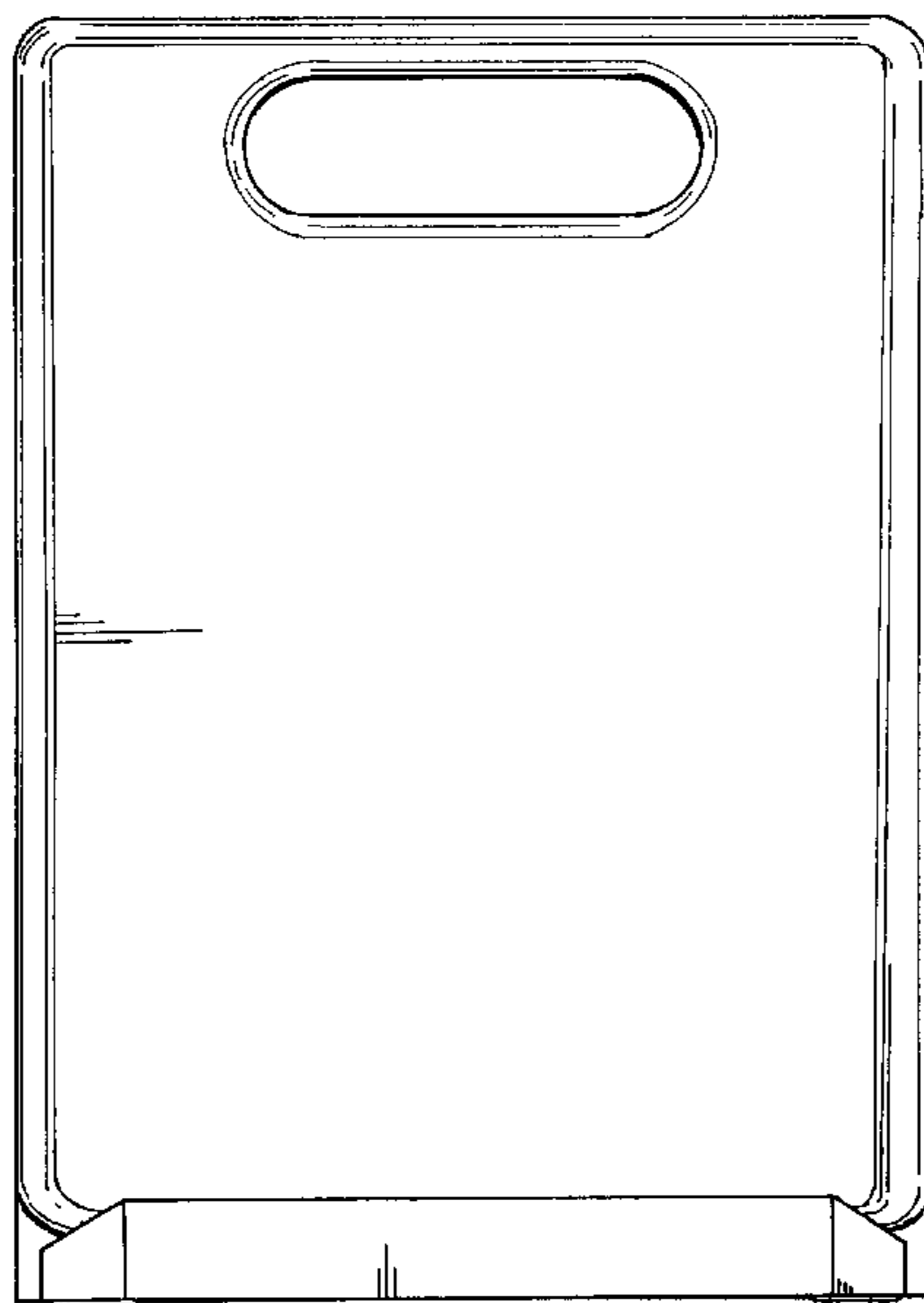
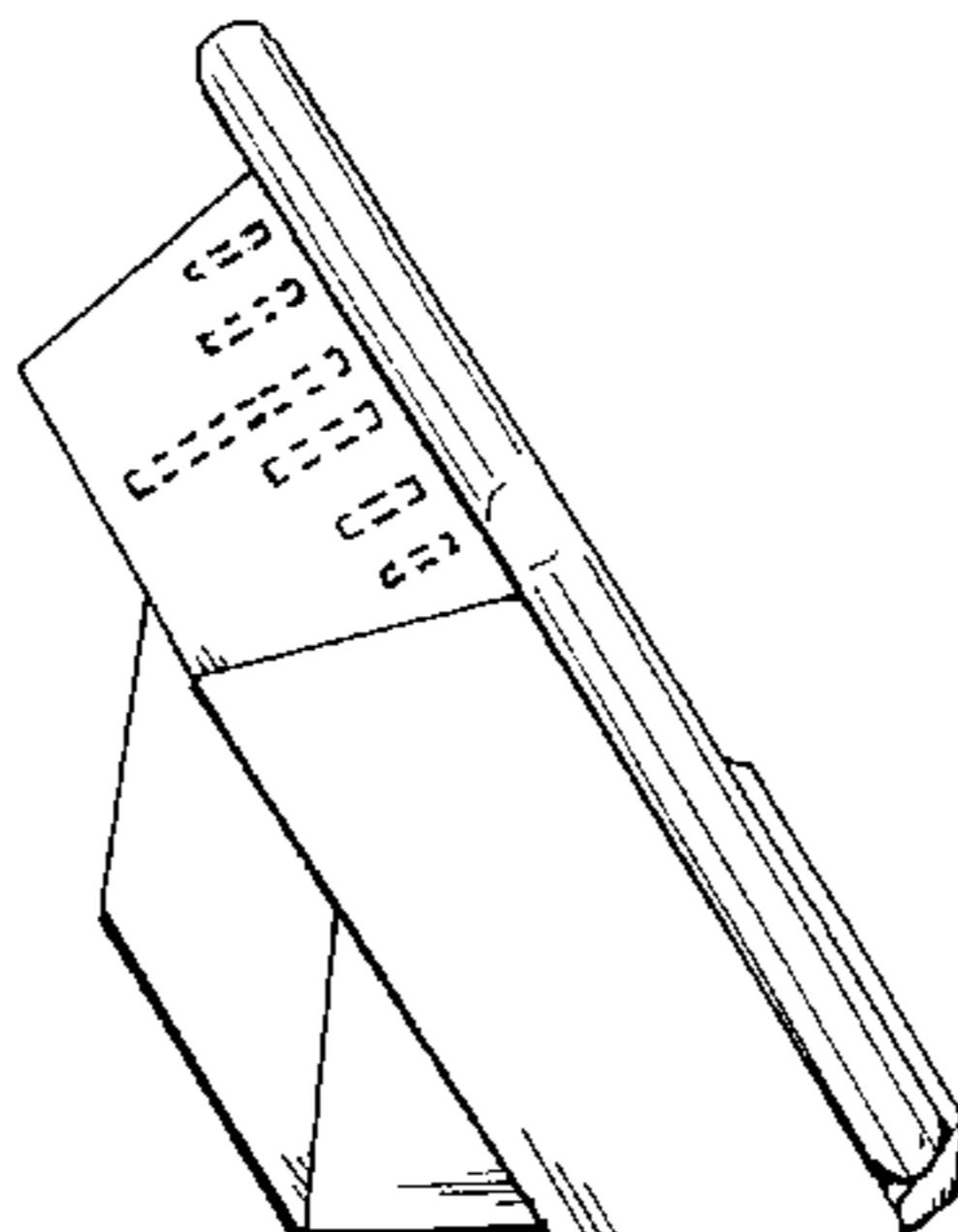
[57] **CLAIM**

The ornamental design for a cutlery block and cutting board, as shown and described.

DESCRIPTION

FIG. 1 is a side and top perspective view of the cutlery block and cutting board showing our new design; FIG. 2 is a front elevation view thereof; FIG. 3 is a rear elevation view thereof; FIG. 4 is a top plan view thereof; FIG. 5 is a bottom plan view thereof; FIG. 6 is a right side elevation view thereof; FIG. 7 is a left side elevation view thereof; FIG. 8 is a side and top perspective view of a second embodiment of the cutlery block and cutting board; and, FIG. 9 is a front elevation view thereof, the rear, bottom, right and left side views are identical to FIGS. 3, 5, 6 and 7. The broken line showing of knife slots in FIGS. 1, 2, 4 and portions of the knife slots in FIGS. 8 and 9 are for illustrative purposes only and form no part of the claimed design.

1 Claim, 5 Drawing Sheets



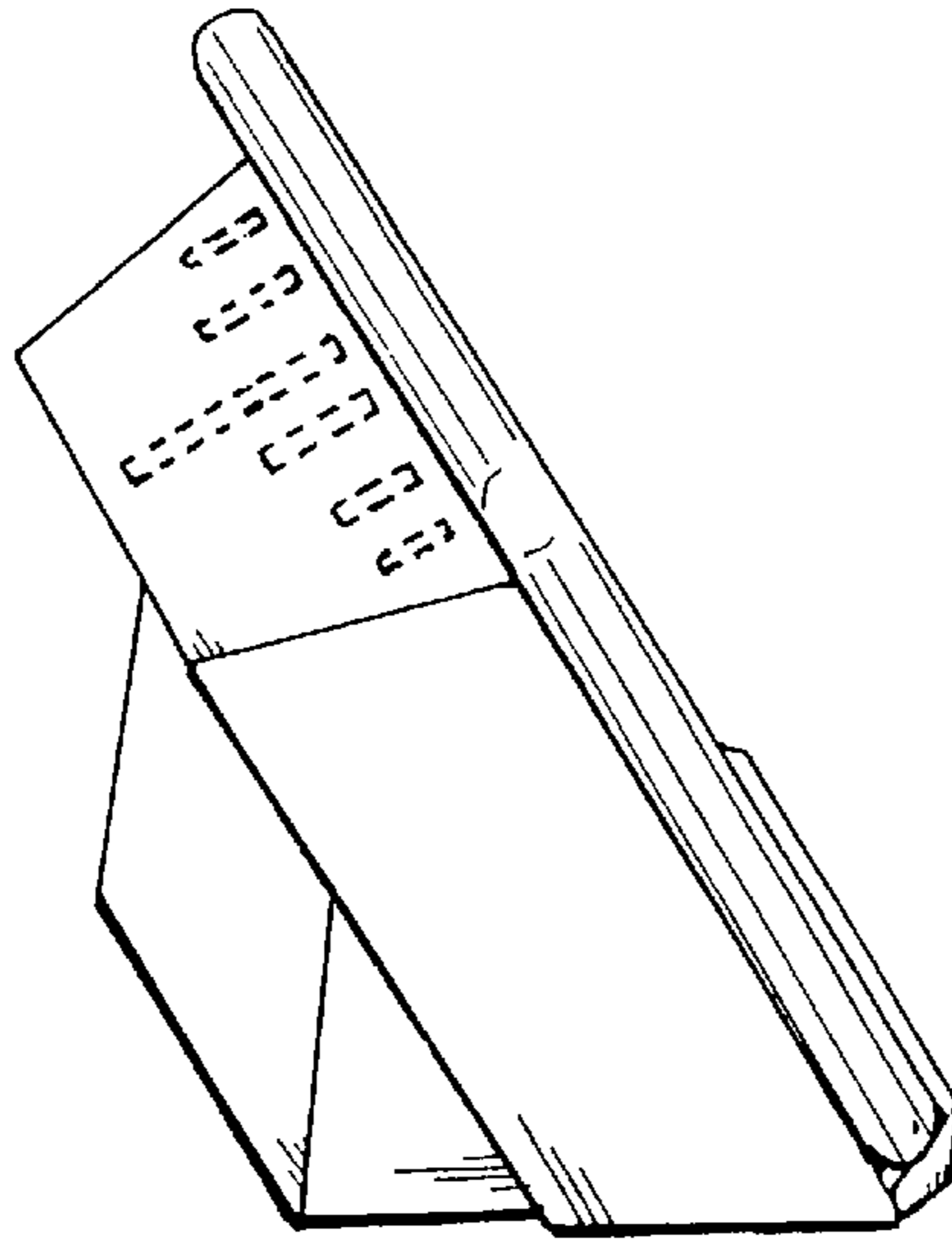


Fig. 1

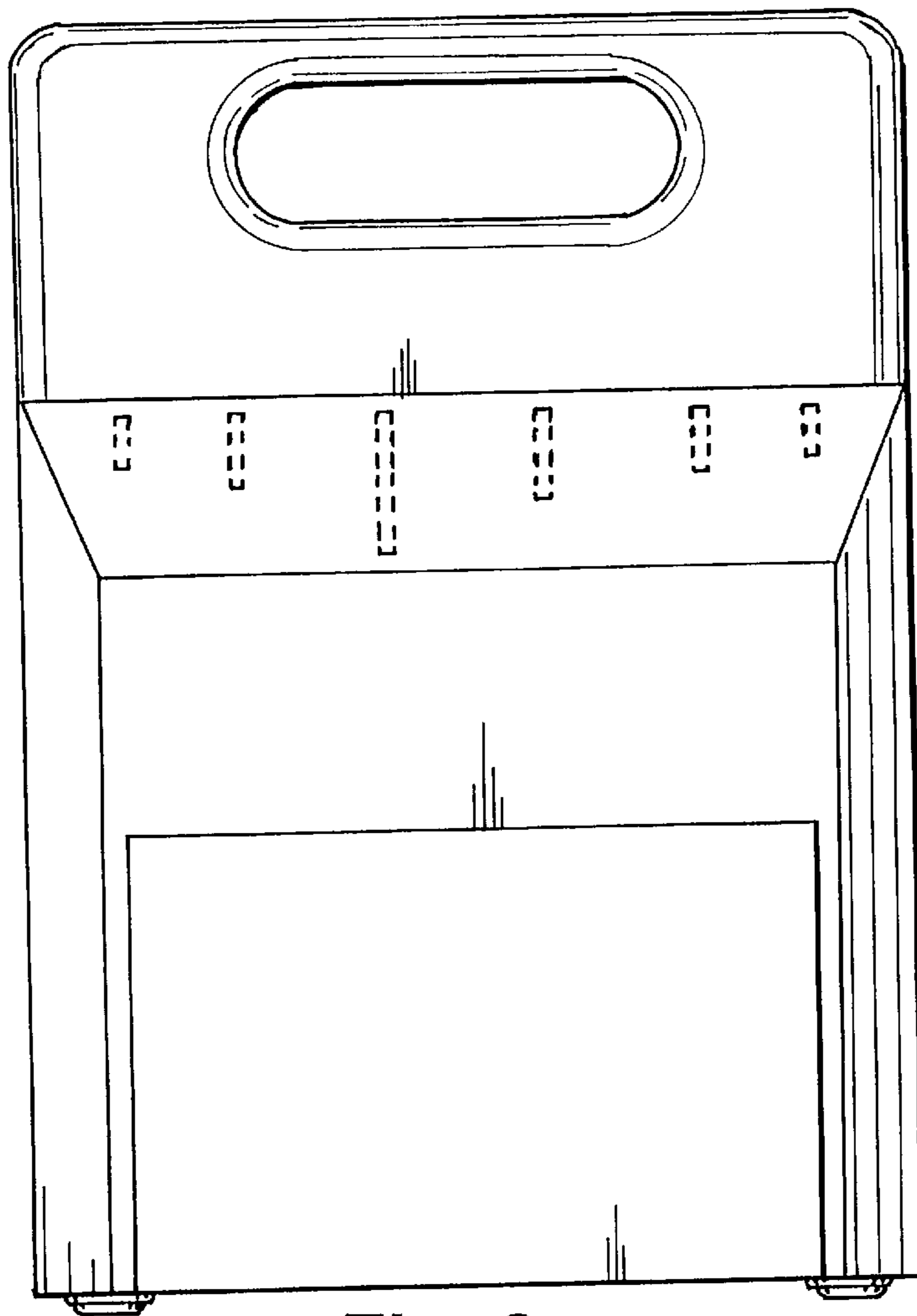


Fig. 2

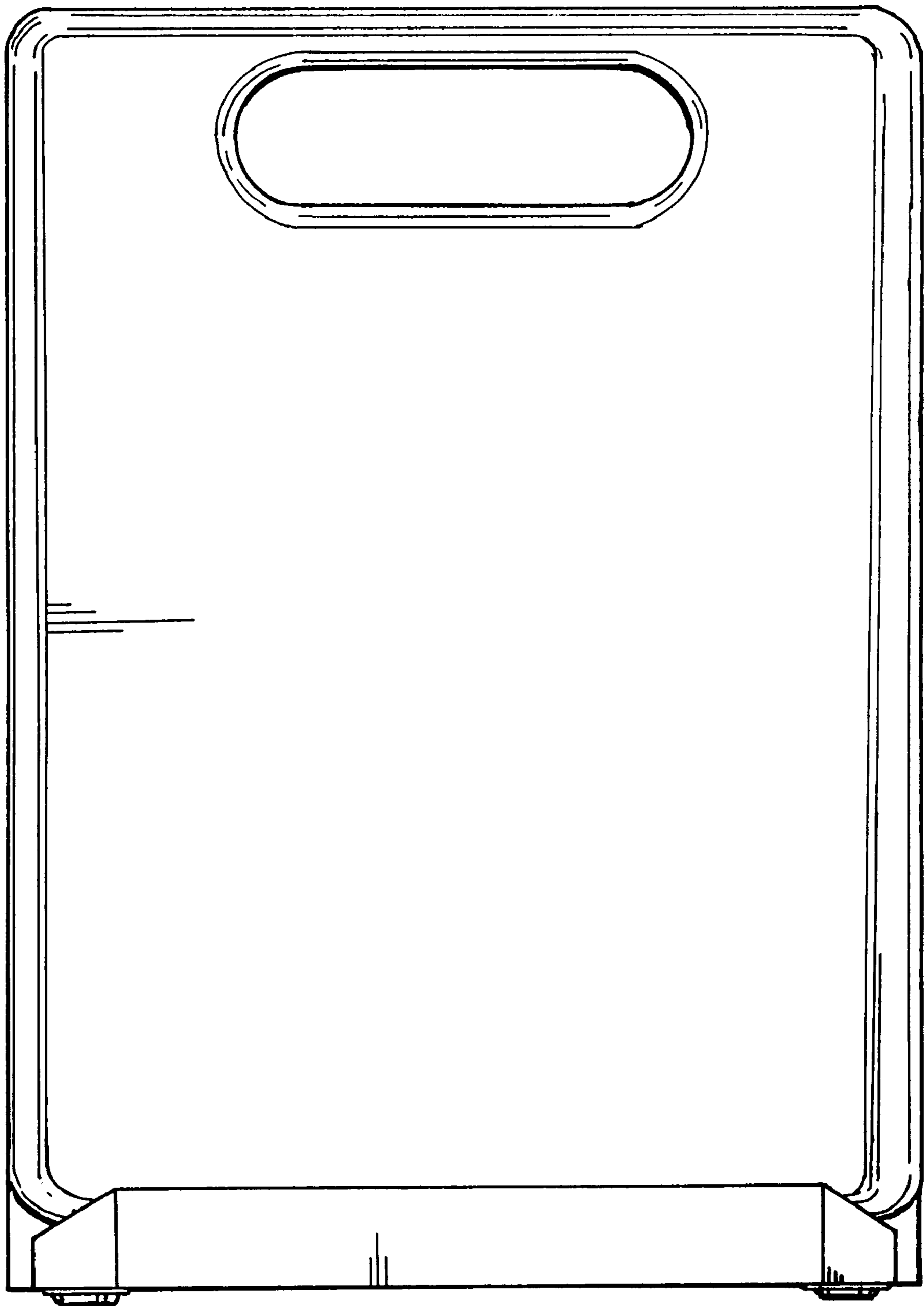


Fig. 3

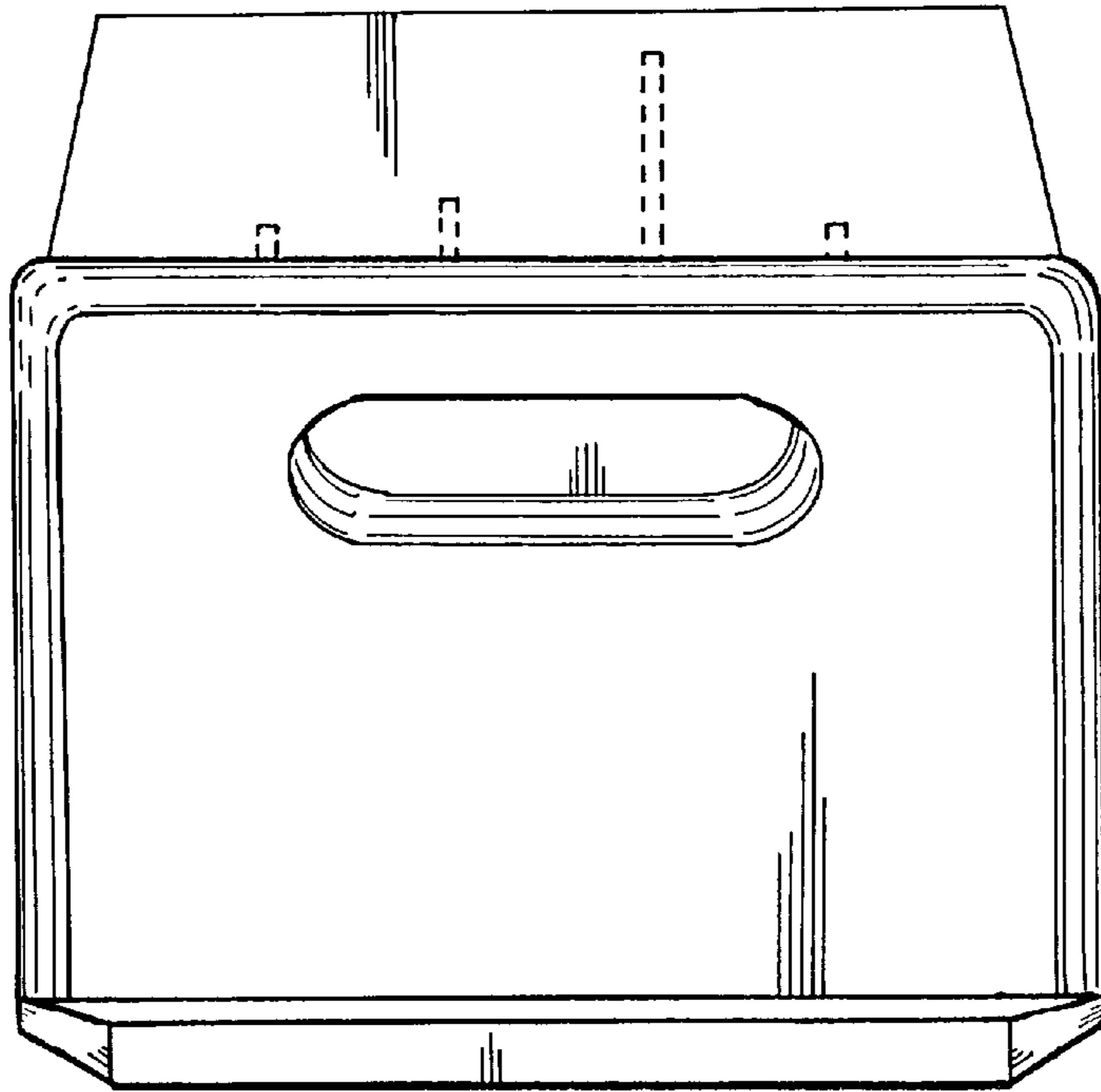


Fig. 4

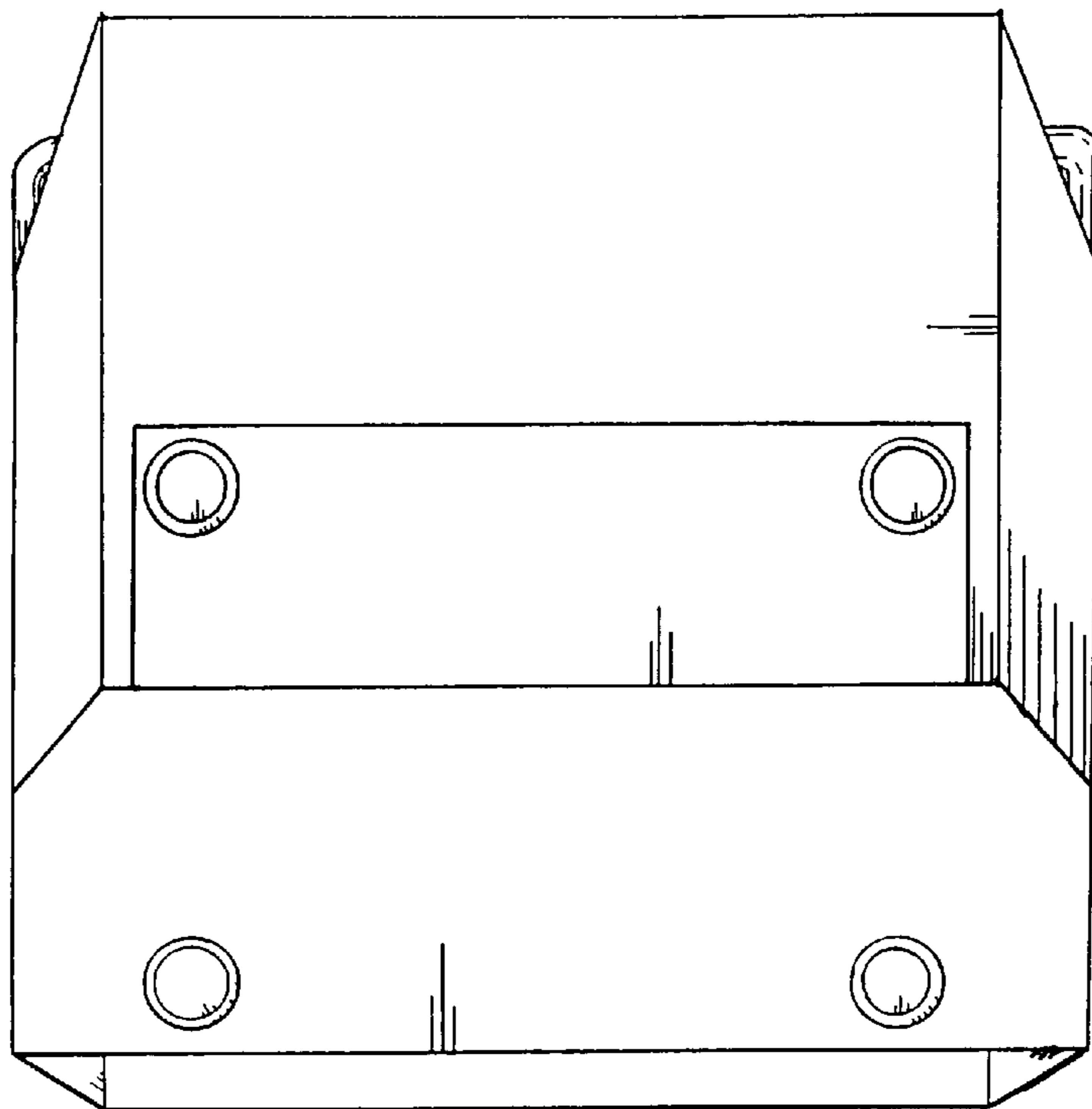


Fig. 5

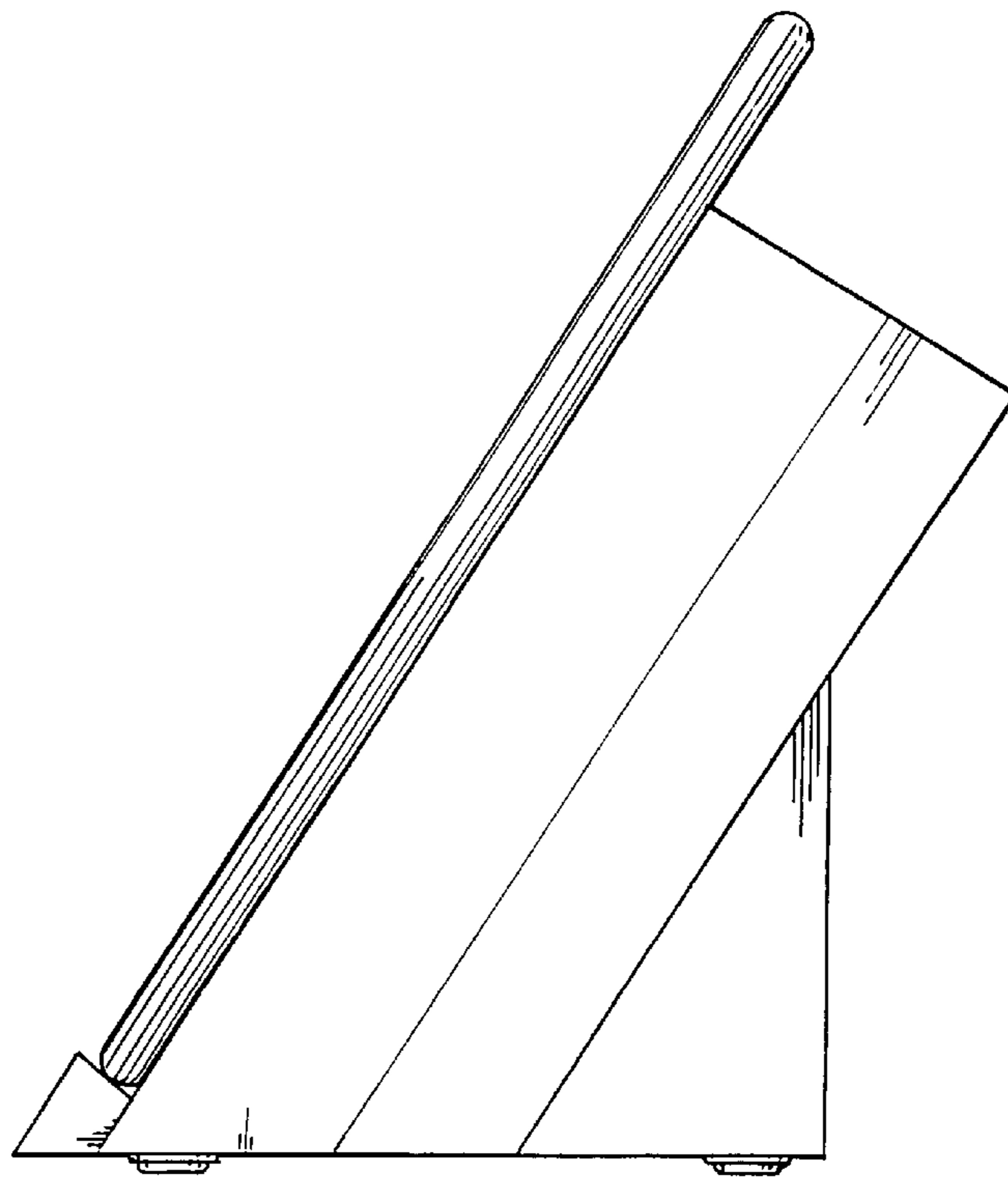


Fig. 6

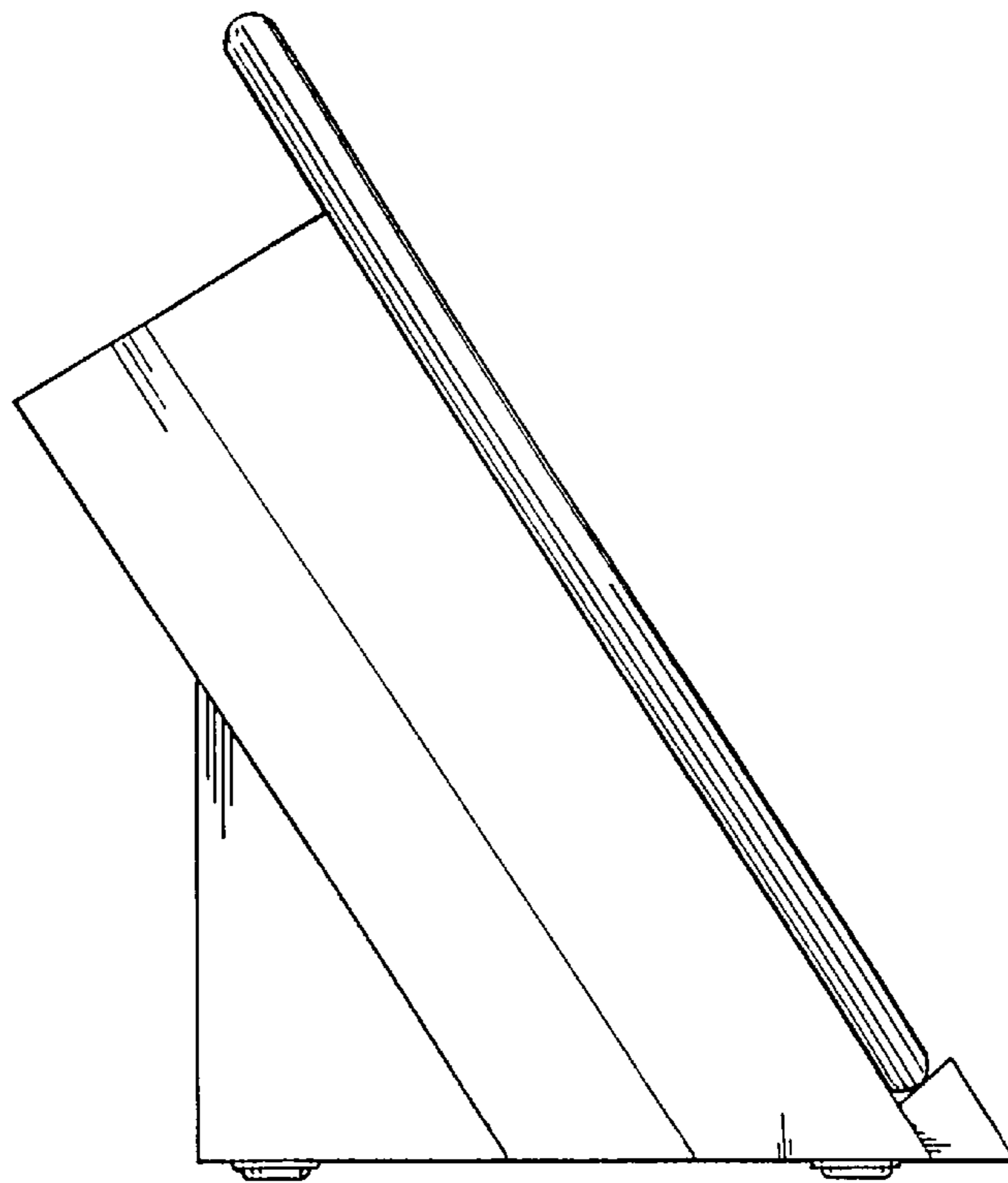


Fig. 7

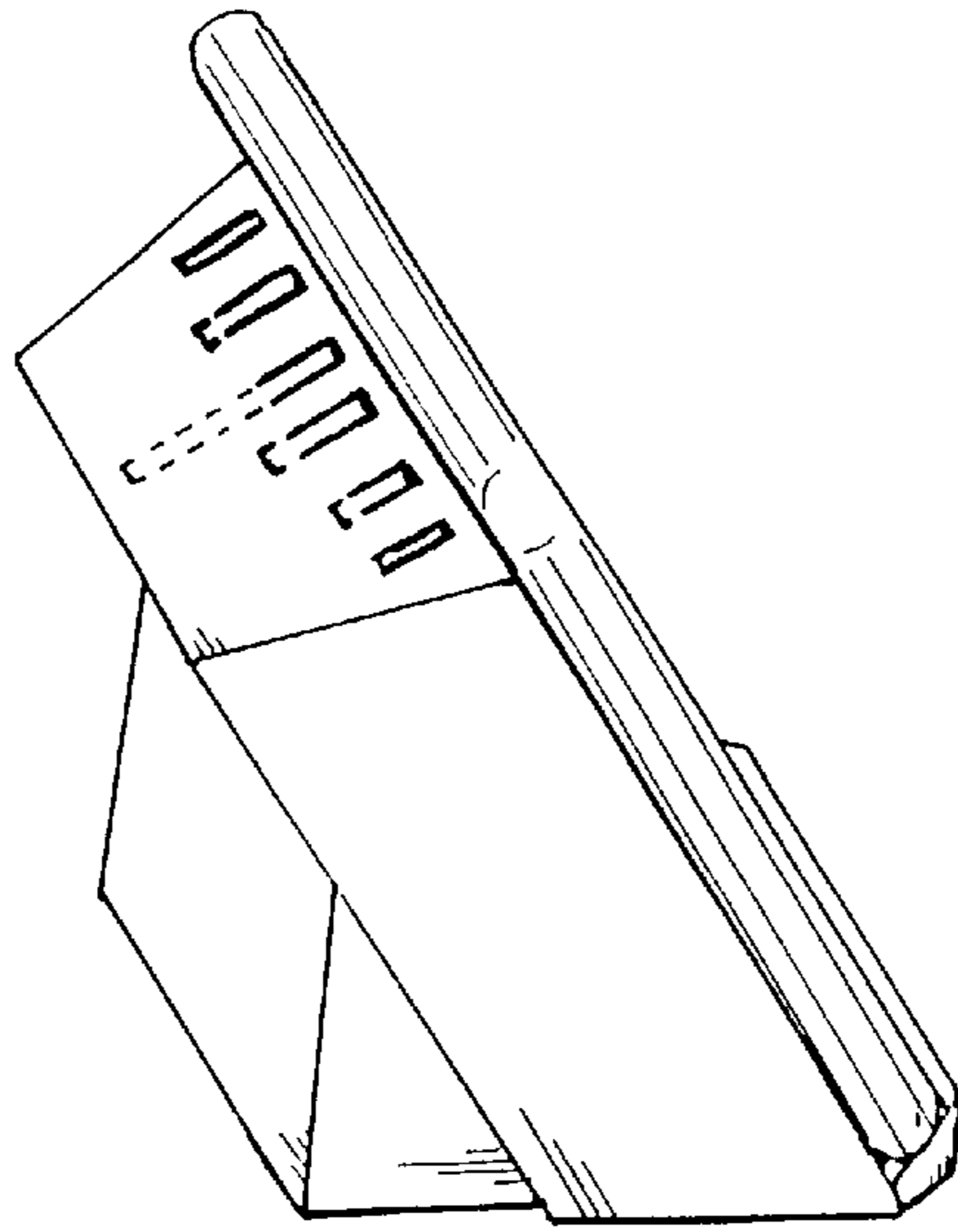


Fig. 8

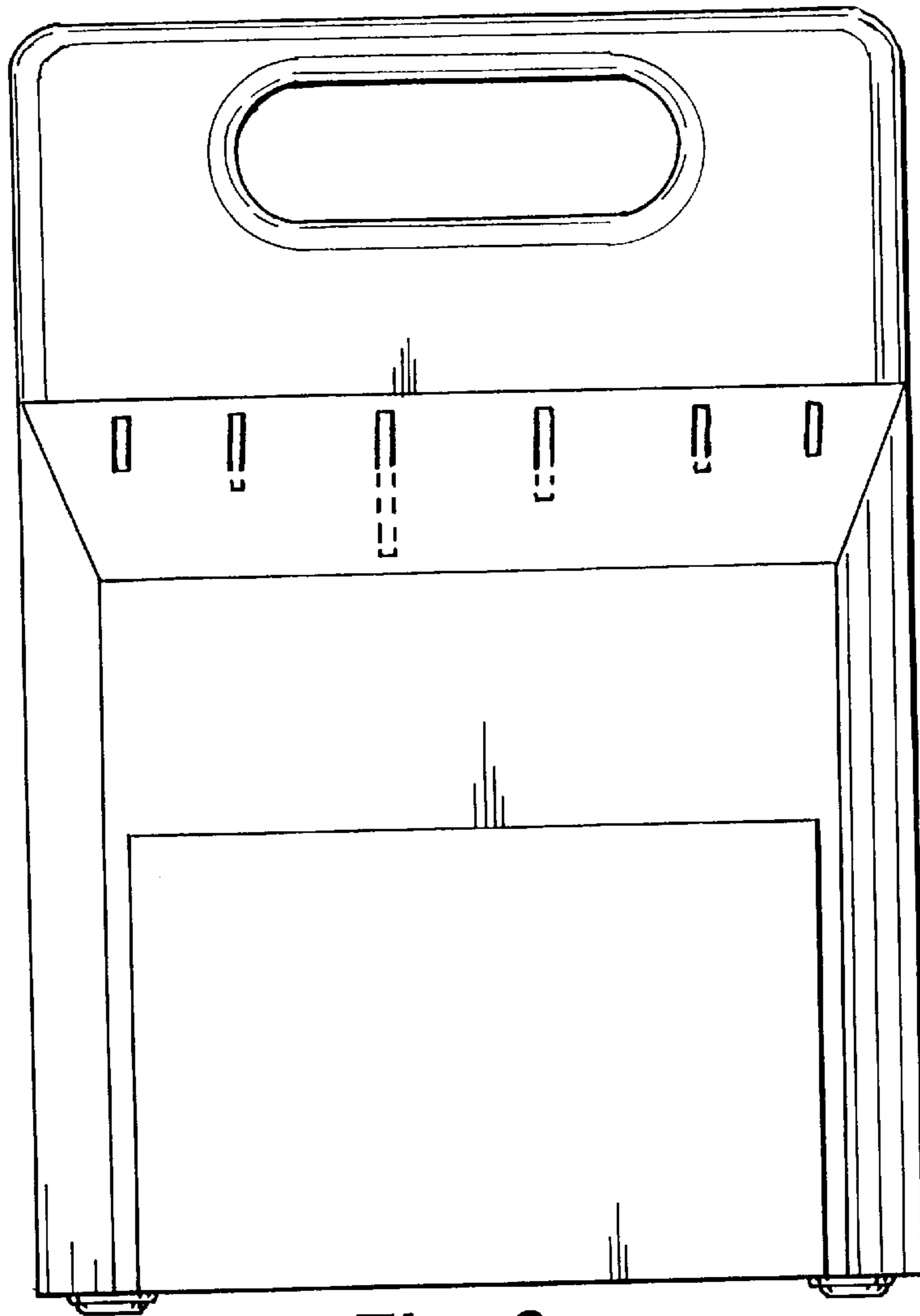


Fig. 9