



US00D410820S

United States Patent [19] Lofrano

[11] Patent Number: Des. 410,820
[45] Date of Patent: ** Jun. 8, 1999

[54] **BUFFET PLATE AND BEVERAGE HOLDER**

[76] Inventor: **James Lofrano**, 2919 Octavia St., San Francisco, Calif. 94123

[**] Term: **14 Years**

[21] Appl. No.: **29/087,404**

[22] Filed: **May 1, 1998**

[51] **LOC (6) Cl.** **07-01**

[52] **U.S. Cl.** **D7/549**; D7/555; D7/553.8; D7/553.1; D7/507

[58] **Field of Search** D7/554.2, 553.6, D7/553.8, 553.7, 543, 545, 546, 579, 555, 507, 701, 620, 553.1; 248/311.2; 229/904; 220/574, 556, 575, 919, 23.8, 23.83, 561, 217

[56] **References Cited**

U.S. PATENT DOCUMENTS

| | | | | |
|------------|---------|-----------|-------|--------|
| D. 89,791 | 5/1933 | Pittman | | D7/555 |
| D. 145,764 | 10/1946 | Zelov | | D44/10 |
| D. 182,243 | 3/1958 | McCraig | | D44/10 |
| D. 201,696 | 7/1965 | Zorn | | D44/10 |
| D. 251,102 | 2/1979 | Box | | D7/99 |
| D. 290,919 | 7/1987 | Beute | | D7/38 |
| D. 291,957 | 9/1987 | Stevens | | D7/70 |
| D. 296,404 | 6/1988 | Lowenbein | | D7/38 |
| D. 368,627 | 4/1996 | McSpadden | | D7/553 |
| D. 373,052 | 8/1996 | Di Base | | D7/555 |
| 421,264 | 2/1890 | Gibbons | | D7/555 |
| 1,623,877 | 4/1927 | Kjetsaa | . | |

| | | | | |
|-----------|--------|---------------|-------|-----------|
| 2,042,801 | 6/1936 | Pittman | | D7/555 |
| 3,401,858 | 9/1968 | White et al. | | 224/48 |
| 4,219,144 | 8/1980 | Hagelberg | . | |
| 4,516,685 | 5/1985 | French | | 220/23.83 |
| 4,607,758 | 8/1986 | Stevens | . | |
| 4,744,597 | 5/1988 | Bauman et al. | | D7/555 X |
| 4,989,742 | 2/1991 | Powell | | 220/23.83 |
| 5,184,750 | 2/1993 | Moller | | 220/575 |
| 5,429,321 | 7/1995 | MCSpadden | | 220/549 X |
| 5,598,944 | 2/1997 | Aragona | | 220/575 |
| 5,803,305 | 9/1998 | Perlis et al. | | 220/574 |

Primary Examiner—M. N. Pandozzi
Attorney, Agent, or Firm—Townsend and Townsend and Crew LLP

[57] **CLAIM**

The ornamental design for a buffet plate and beverage holder, as shown and described.

DESCRIPTION

FIG. 1 is a top perspective view of a buffet plate and beverage holder showing my new design; FIG. 2 is a top plan view thereof; FIG. 3 is a front elevational view thereof; FIG. 4 is a right side elevational view, the left side elevational view being a mirror image; FIG. 5 is a rear elevational view thereof; and, FIG. 6 is a bottom plan view thereof. The broken line showing of a cup in FIGS. 1, 3, 4 and 5 is for illustrative purposes only and forms no part of the claimed design.

1 Claim, 2 Drawing Sheets

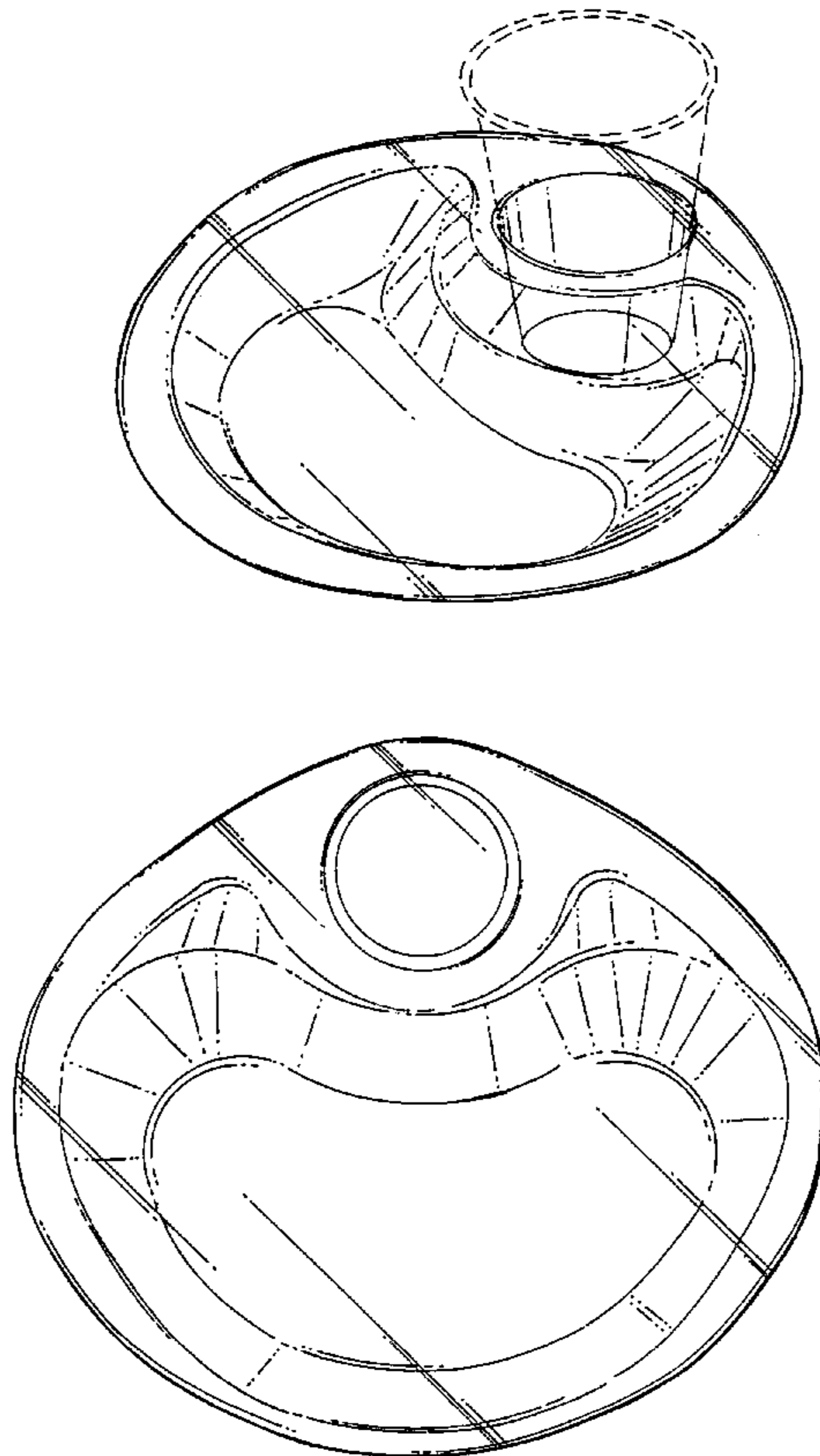


FIG. 1.

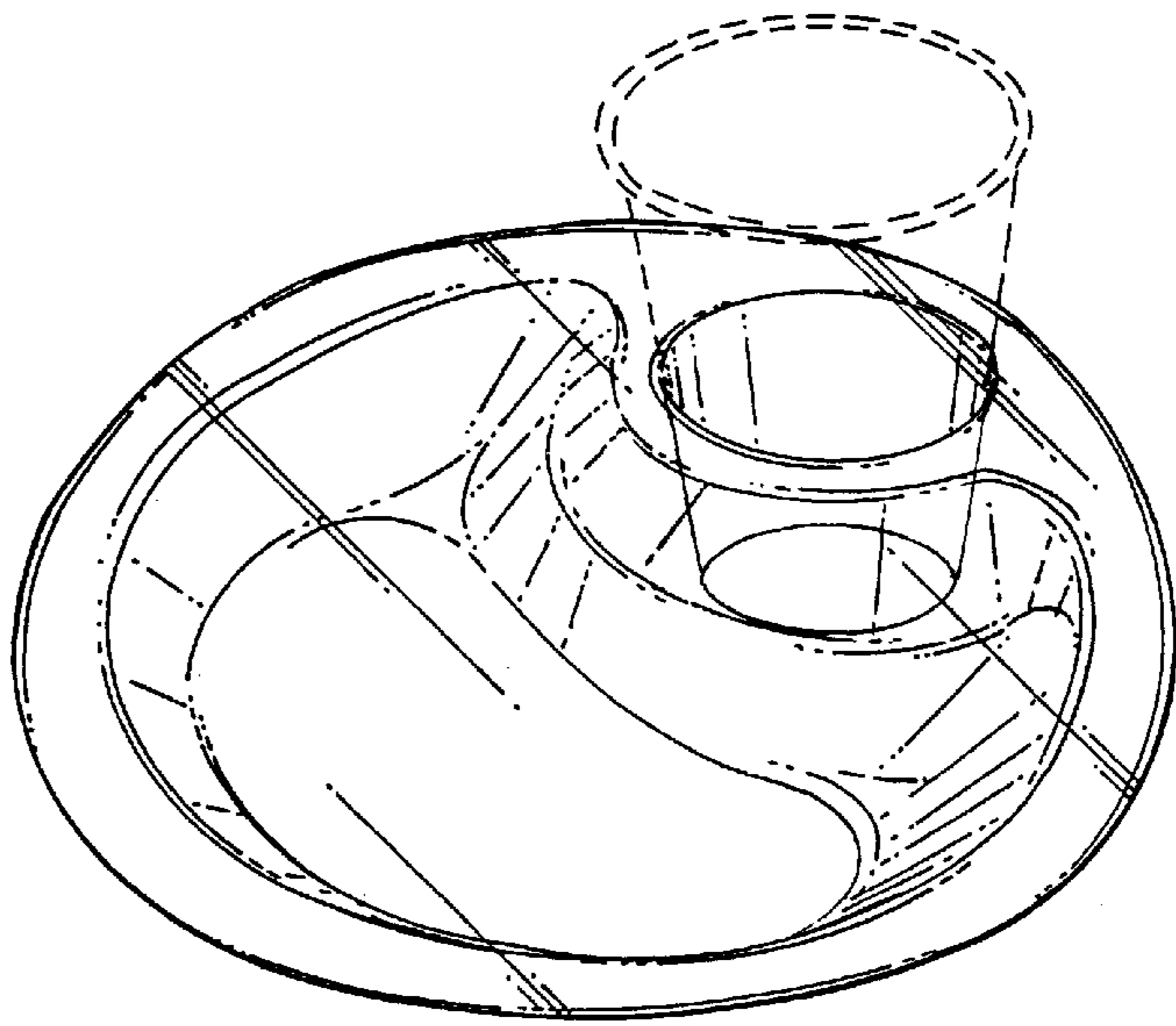


FIG. 2.

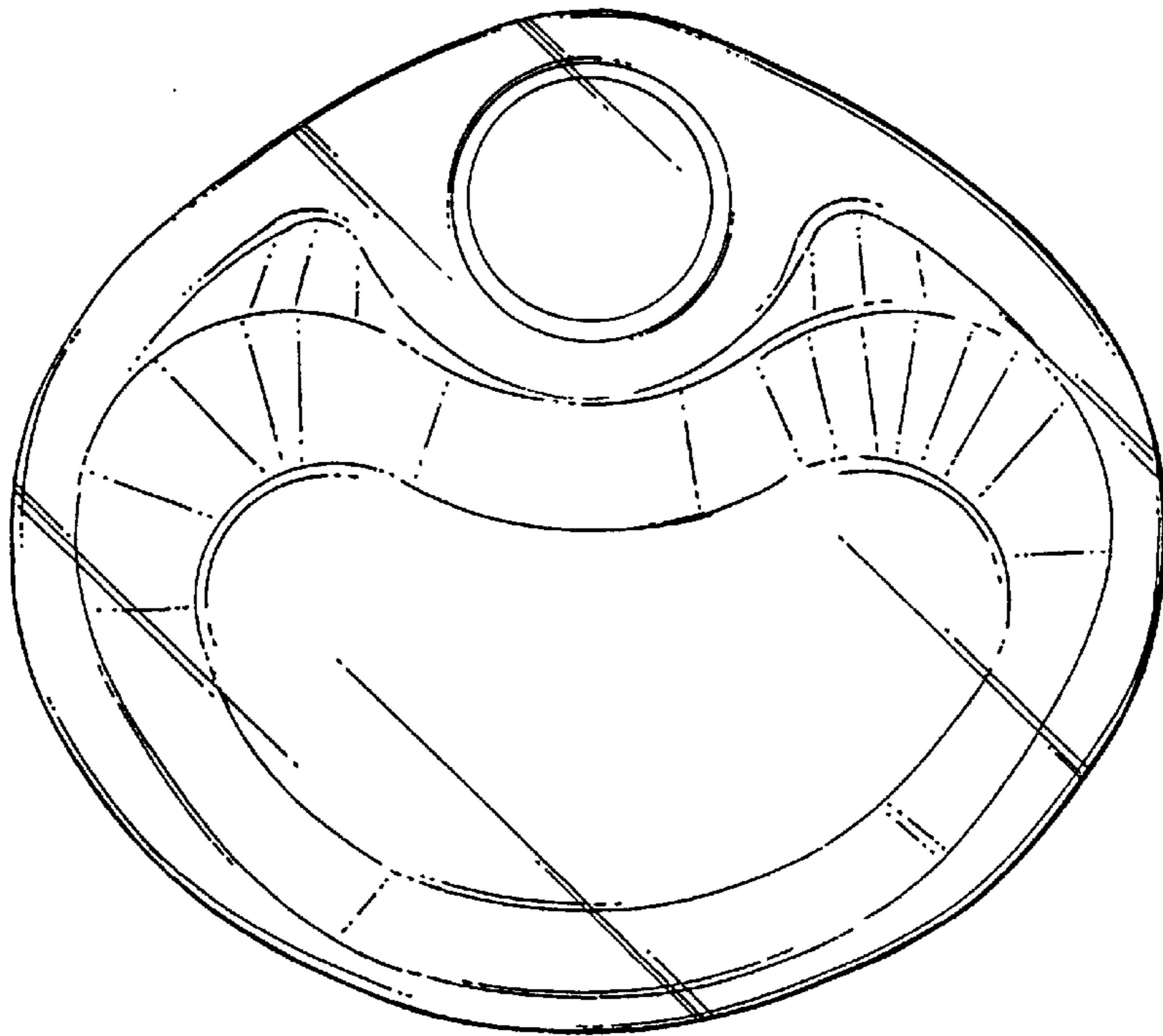
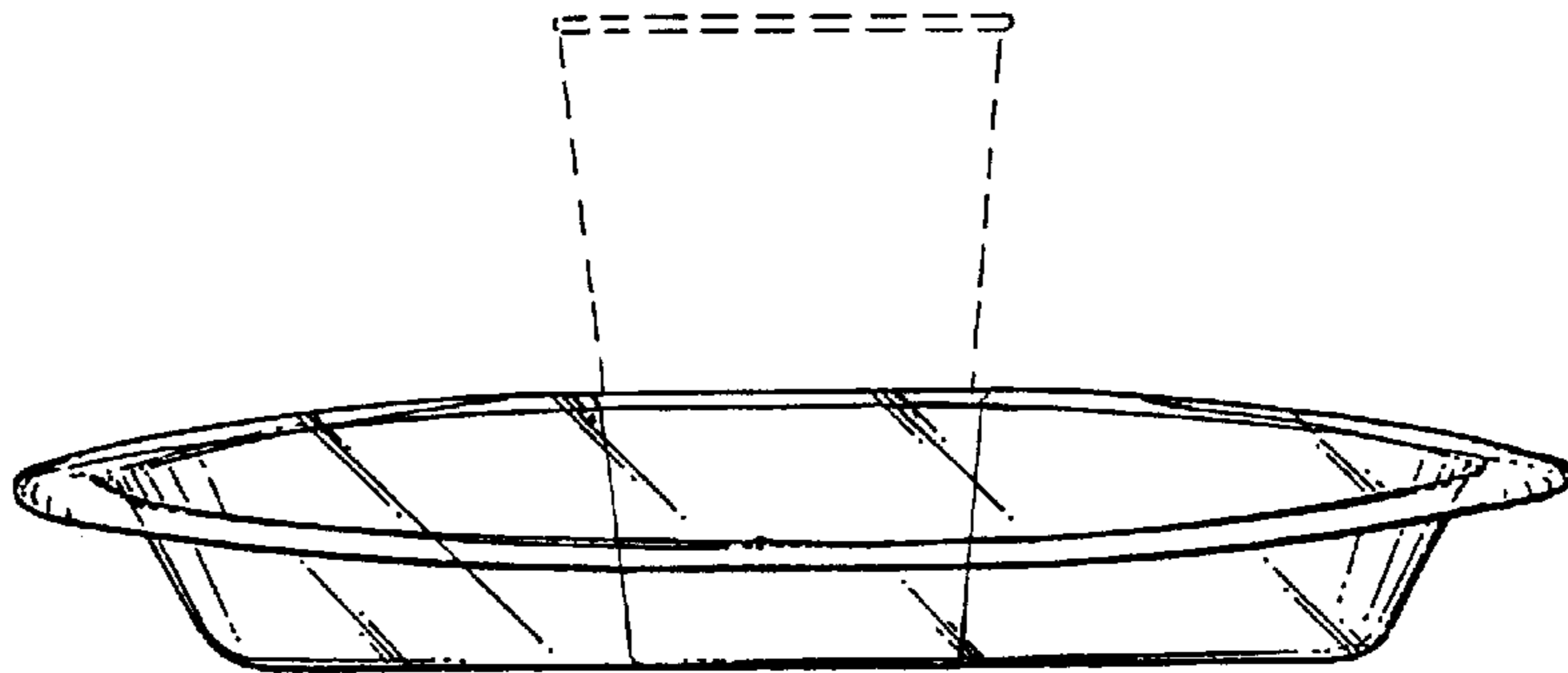


FIG. 3.



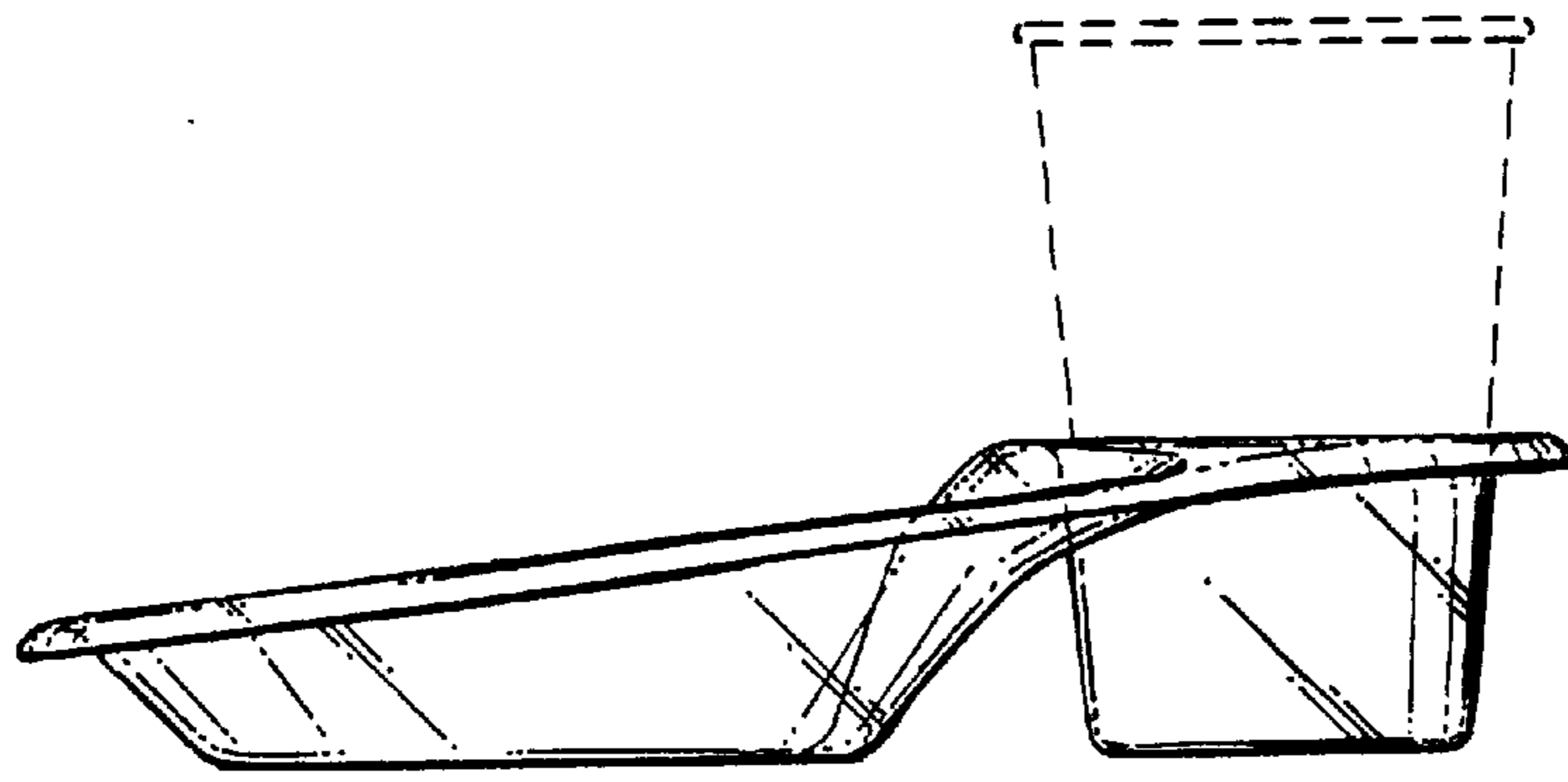


FIG. 4.

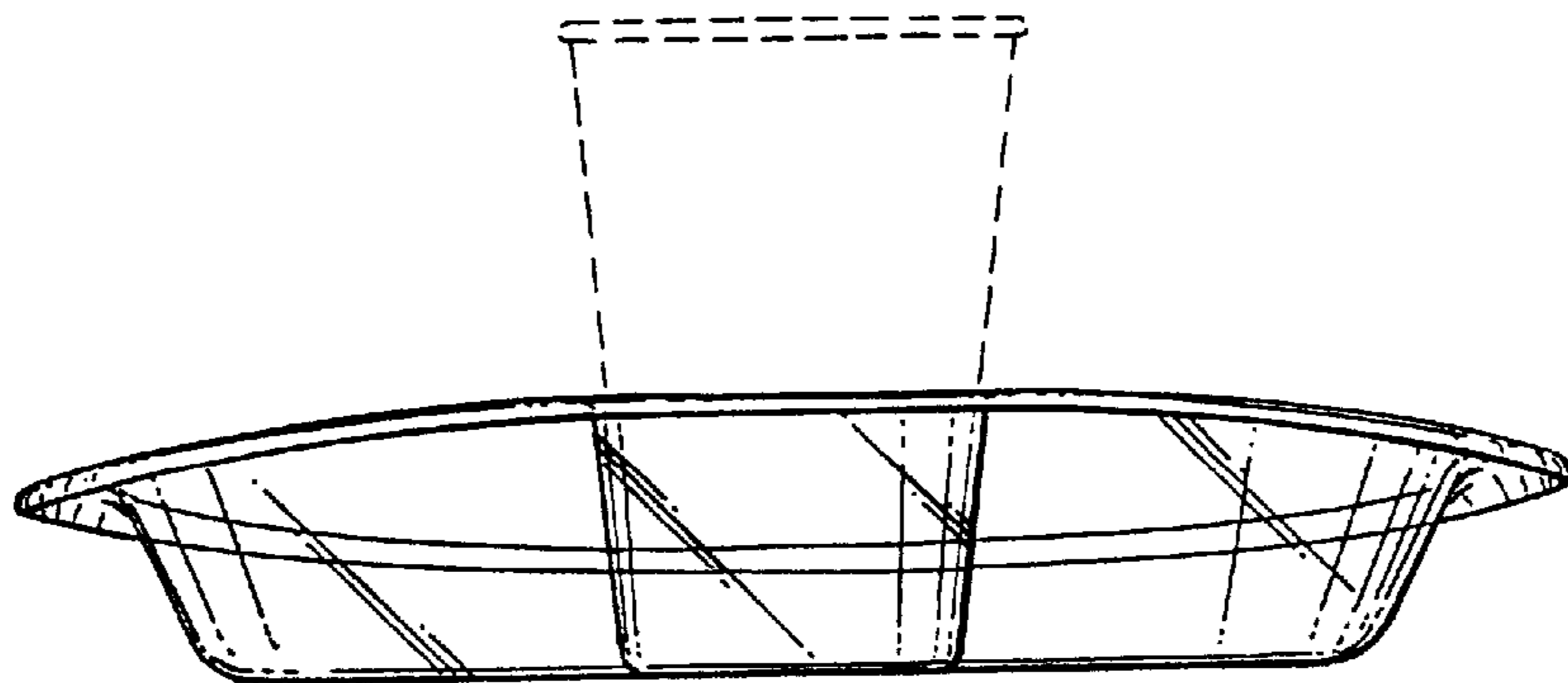


FIG. 5.

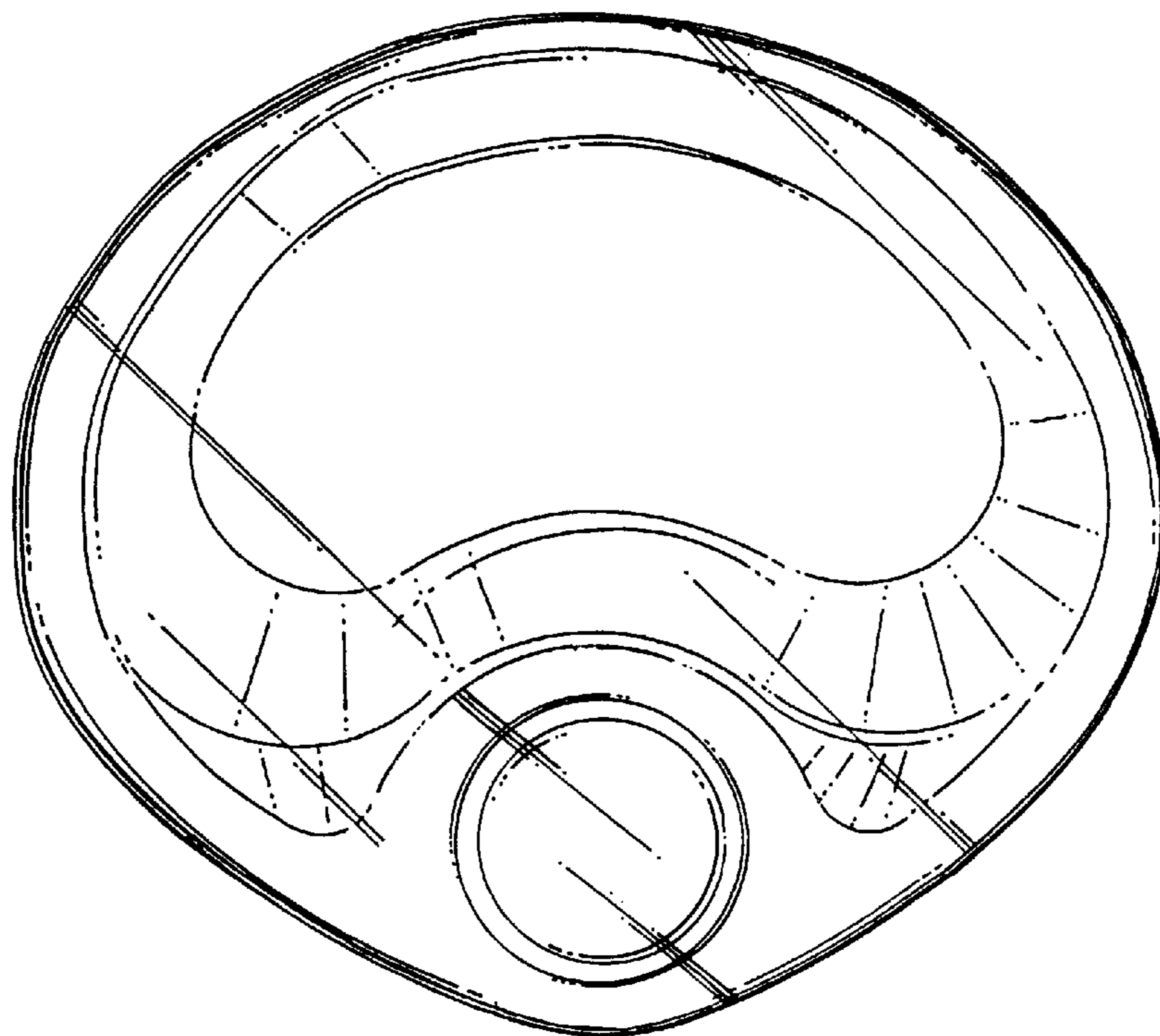


FIG. 6.