



US00D410819S

United States Patent [19]

Hsu

[11] Patent Number: **Des. 410,819**

[45] Date of Patent: **** Jun. 8, 1999**

[54] **IGNITER**

[76] Inventor: **Huang-Hsi Hsu**, 8F, No. 14, Lane 252, Chungshan N. Rd., Sec. 6, Taipei, Taiwan

[**] Term: **14 Years**

[21] Appl. No.: **29/095,281**

[22] Filed: **Oct. 20, 1998**

[51] **LOC (6) Cl.** **07-99**

[52] **U.S. Cl.** **D7/416**

[58] **Field of Search** D7/416, 417; 417/411, 417/234; 126/25 B, 409; 431/13; D27/154

[56] **References Cited**

U.S. PATENT DOCUMENTS

D. 258,840	4/1981	Plozner	D7/416
D. 295,598	5/1988	Takase	D7/416
D. 327,813	7/1992	Shike et al.	D7/416
D. 354,196	1/1995	Inoue	D7/416
D. 360,557	7/1995	Ono et al.	D7/416

D. 380,936	7/1997	Hsu	D7/416
D. 389,699	1/1998	Hsu	D7/416
D. 390,063	2/1998	Kim	D7/416
D. 403,206	12/1998	Hsu	D7/416
4,292,021	9/1981	Miyagawa	431/13
4,810,173	3/1989	Thomson et al.	417/411

Primary Examiner—M. N. Pandozzi
Attorney, Agent, or Firm—Bacon & Thomas

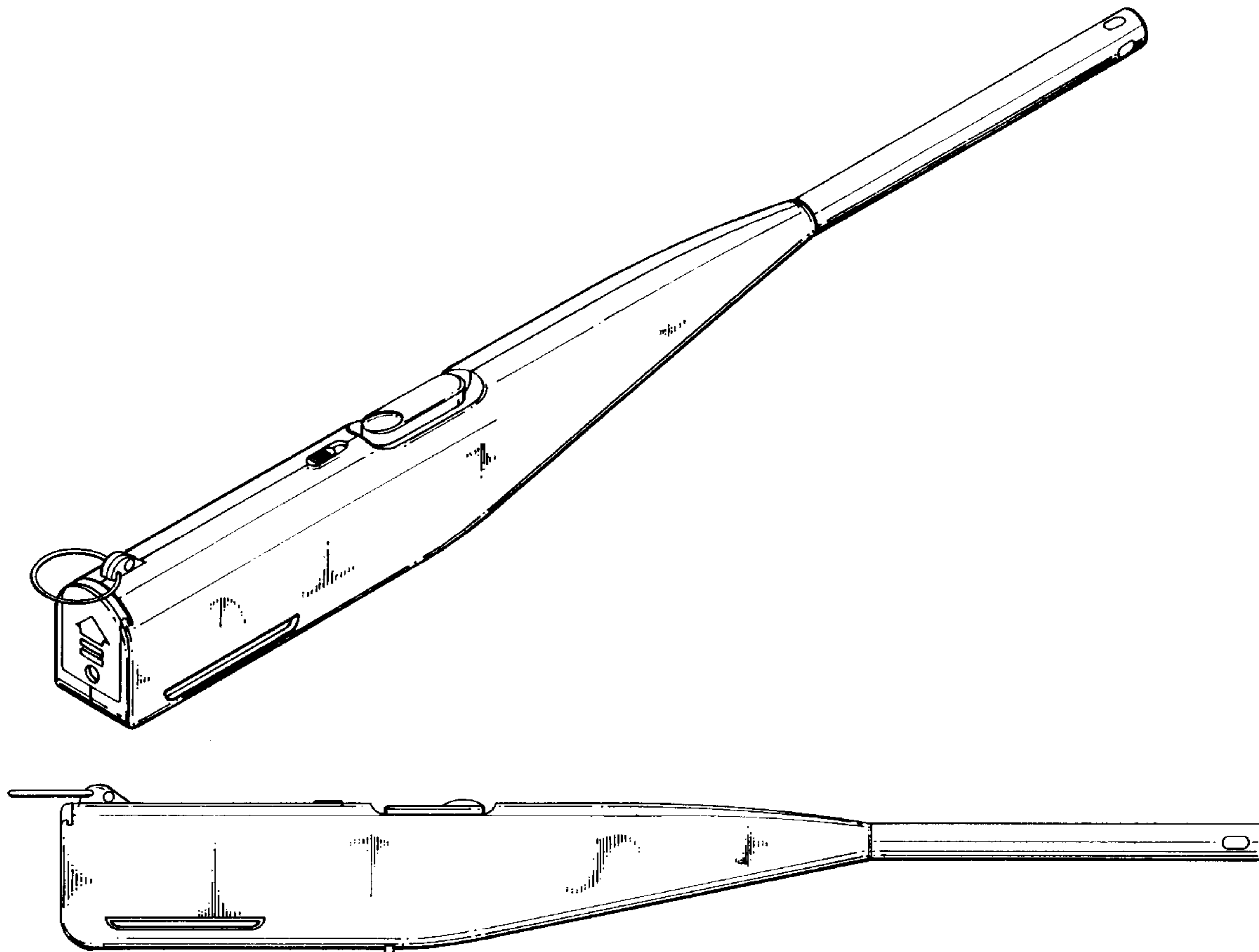
[57] **CLAIM**

The ornamental design for igniter, as shown and described.

DESCRIPTION

FIG. 1 is a perspective view of igniter showing my new design;
FIG. 2 is a front elevational view thereof; (the rear elevational view is the same as the front elevational view);
FIG. 3 is a left side elevational view thereof;
FIG. 4 is a right side elevational view thereof;
FIG. 5 is a top plan view thereof; and,
FIG. 6 is a bottom plan view thereof.

1 Claim, 4 Drawing Sheets



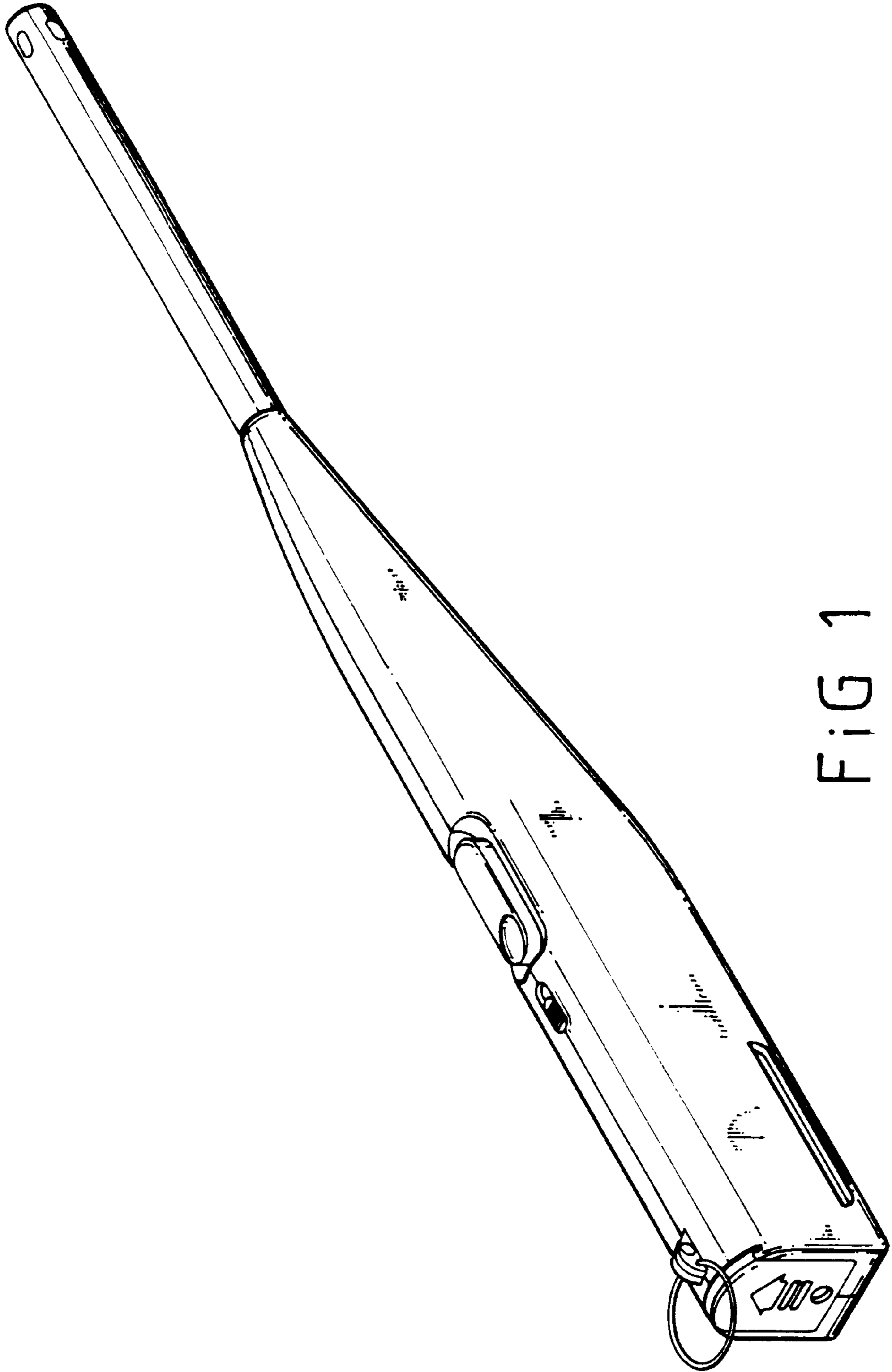


FIG 1

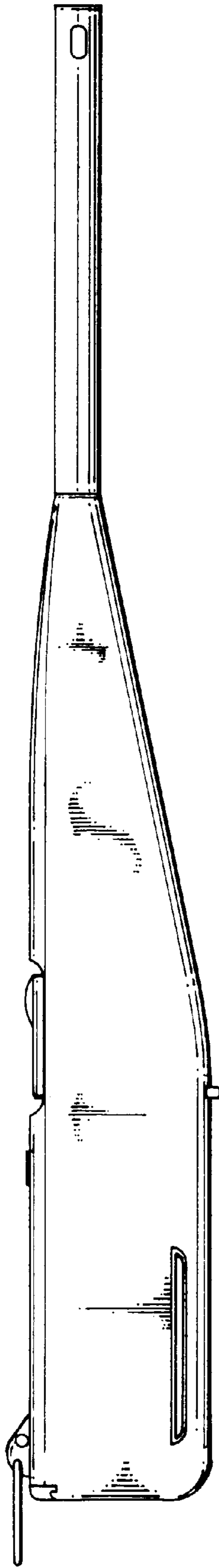


FIG 2

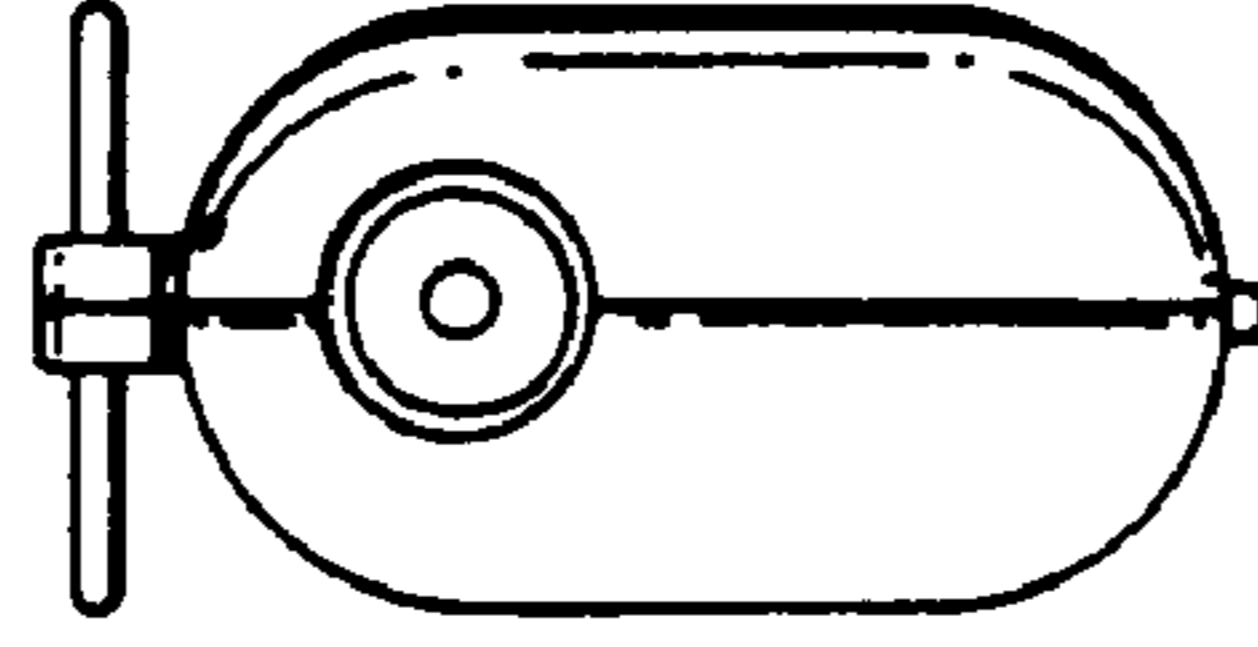


FIG 4

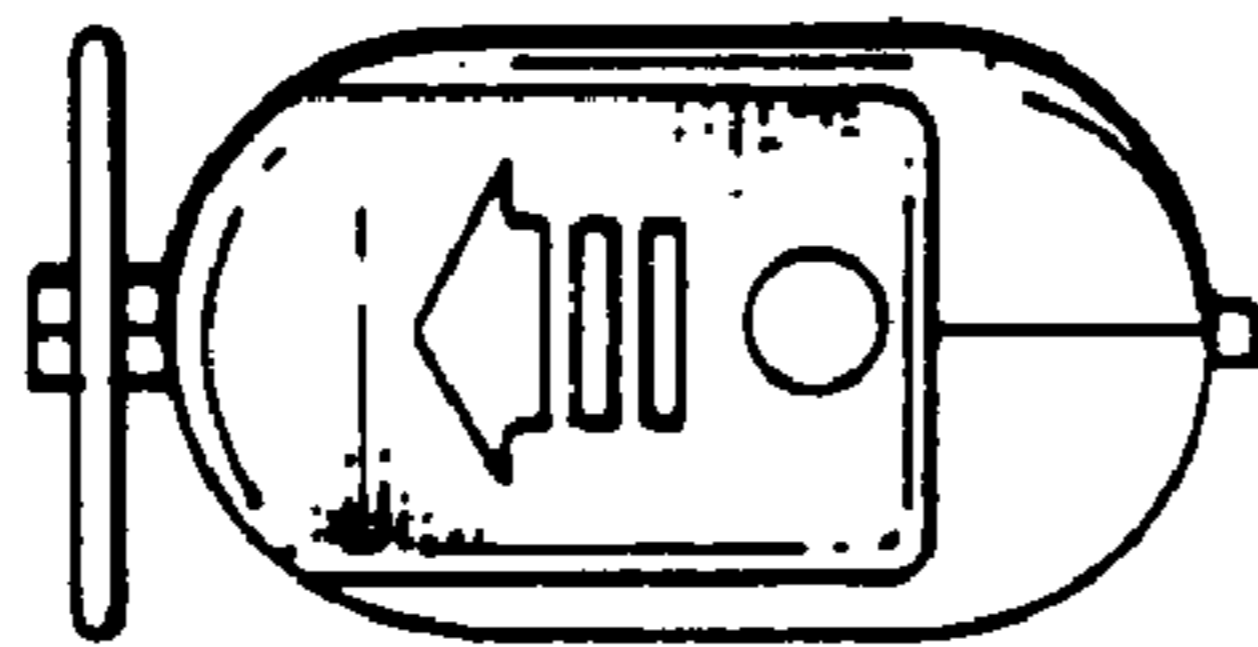


FIG 3

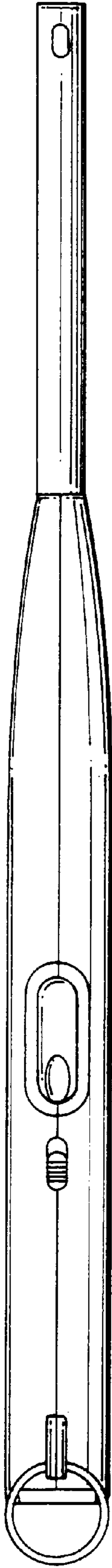


FIG 5

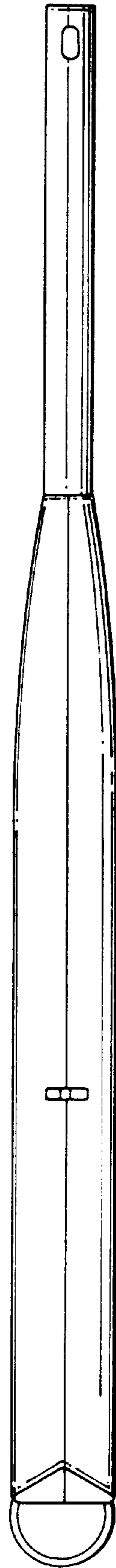


FIG 6