



US00D410817S

United States Patent [19]
Brunianyn

[11] **Patent Number: Des. 410,817**
[45] **Date of Patent: ** Jun. 8, 1999**

[54] **HANDLE FOR COOKING UTENSIL**

[75] Inventor: **Harry Brunianyn**, Annecy, France

[73] Assignee: **Tefal S.A.**, Rumilly, France

[**] Term: **14 Years**

[21] Appl. No.: **29/090,572**

[22] Filed: **Jul. 10, 1998**

[30] **Foreign Application Priority Data**

Jan. 22, 1998 [FR] France 98 0360

[51] **LOC (6) Cl.** **07-02**

[52] **U.S. Cl.** **D7/393**

[58] **Field of Search** D7/354-361, 393-395;
16/110 R, 110 A, 114 R, 114 A

[56] **References Cited**

U.S. PATENT DOCUMENTS

D. 391,444 3/1998 Munari D7/394

Primary Examiner—Caron D. Veynar
Attorney, Agent, or Firm—Young & Thompson

[57] **CLAIM**

The ornamental design for a handle for cooking utensil, as shown and described.

DESCRIPTION

FIG. 1 is a top and side perspective view of a handle for cooking utensil, showing my new design;

FIG. 2 is a top plan view thereof;

FIG. 3 is a bottom plan view thereof;

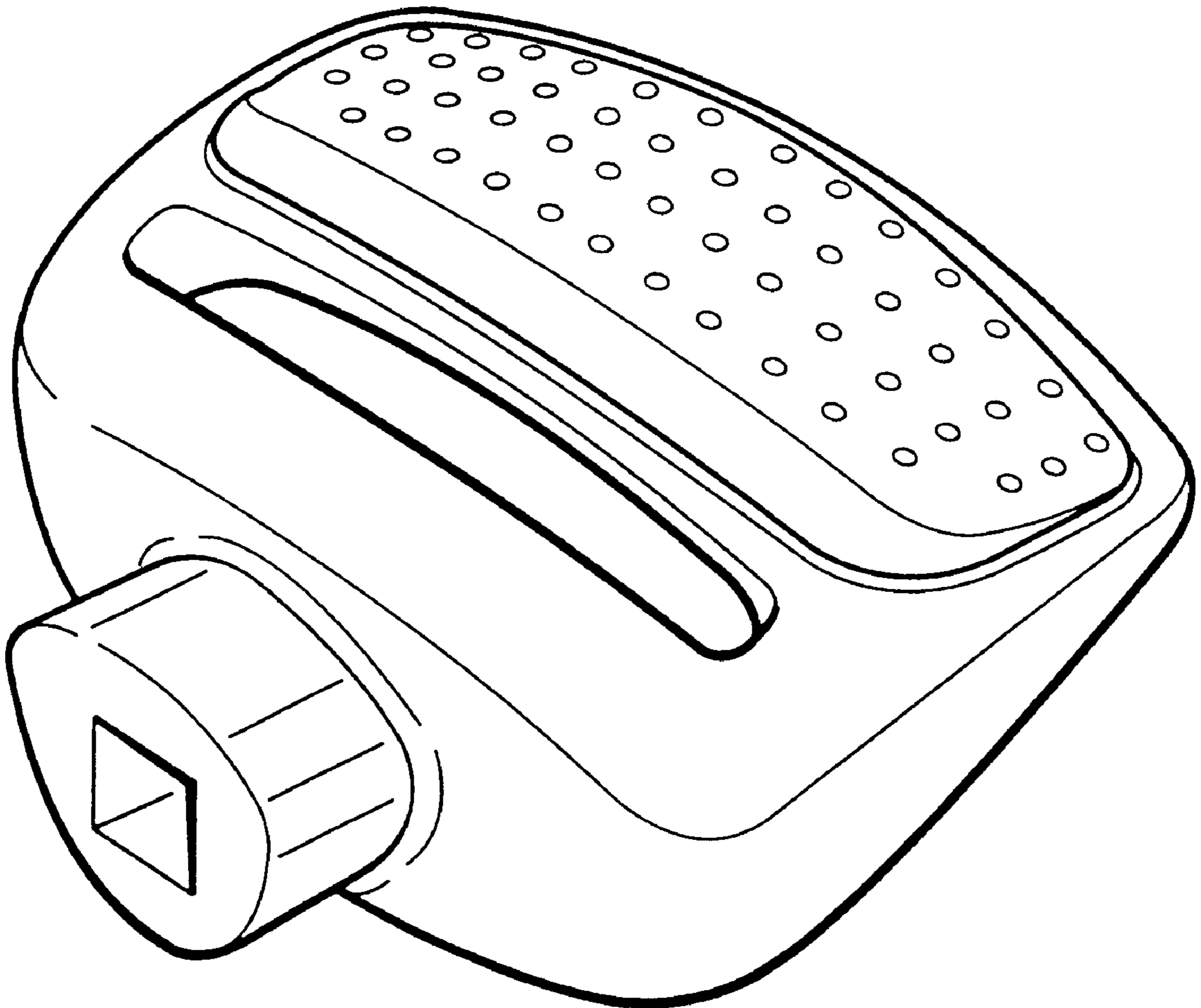
FIG. 4 is a side elevational view thereof, the side opposite being the mirror image thereof;

FIG. 5 is an end elevational view thereof from the right of FIG. 4; and,

FIG. 6 is an end elevational view thereof from the left of FIG. 4.

The small circles represent shallow concave recesses with rounded bottoms.

1 Claim, 6 Drawing Sheets



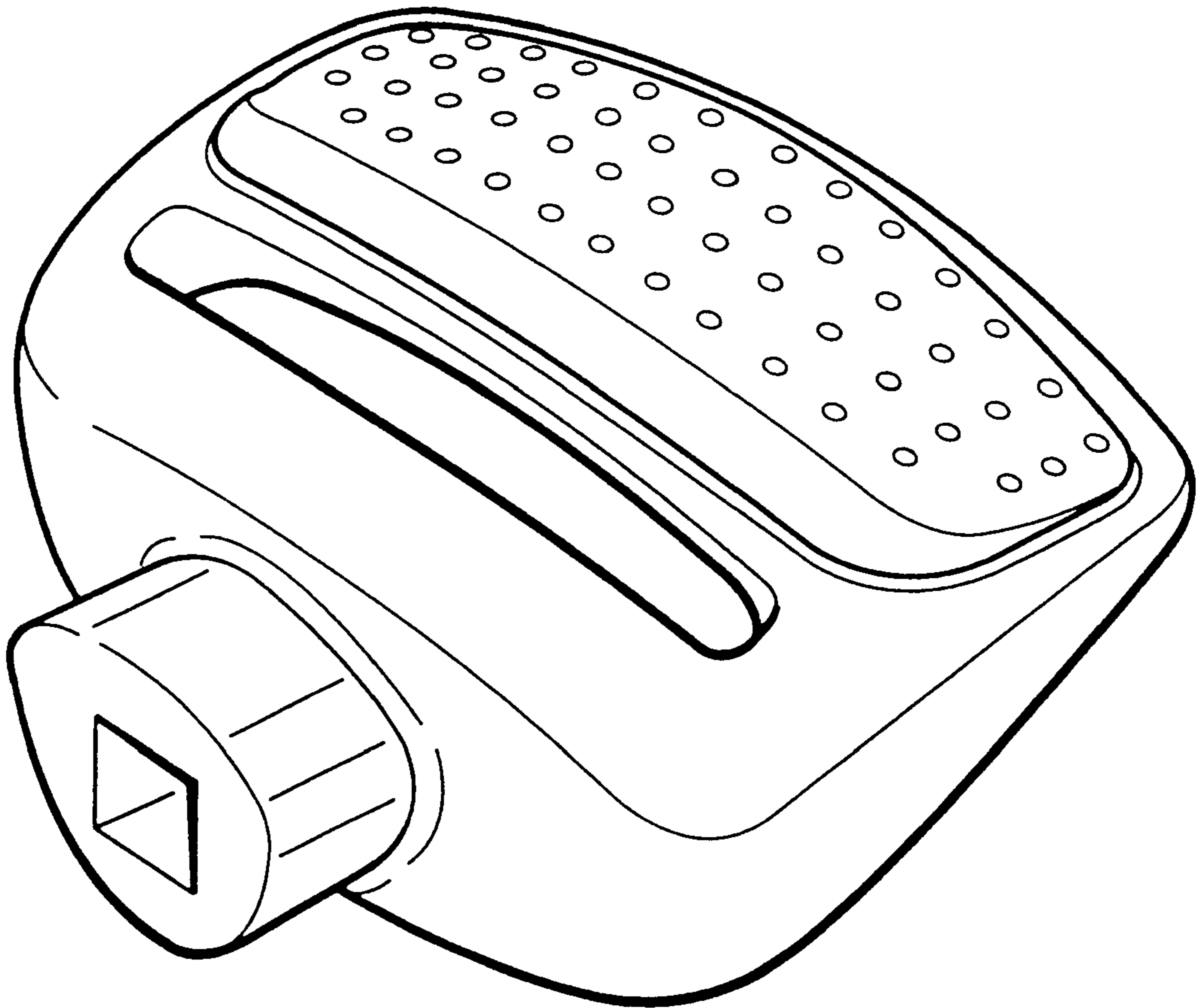


Fig. 1

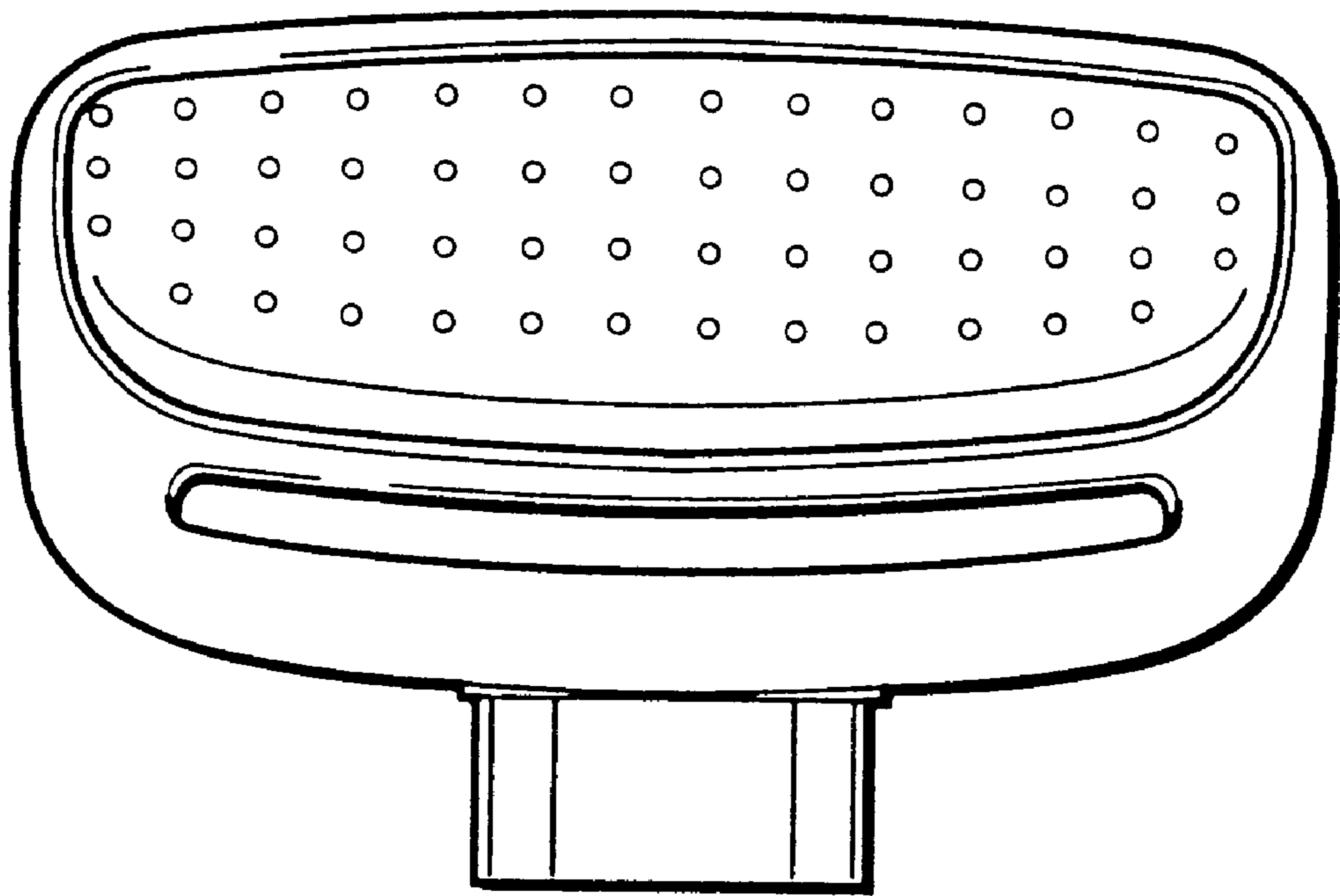


Fig. 2

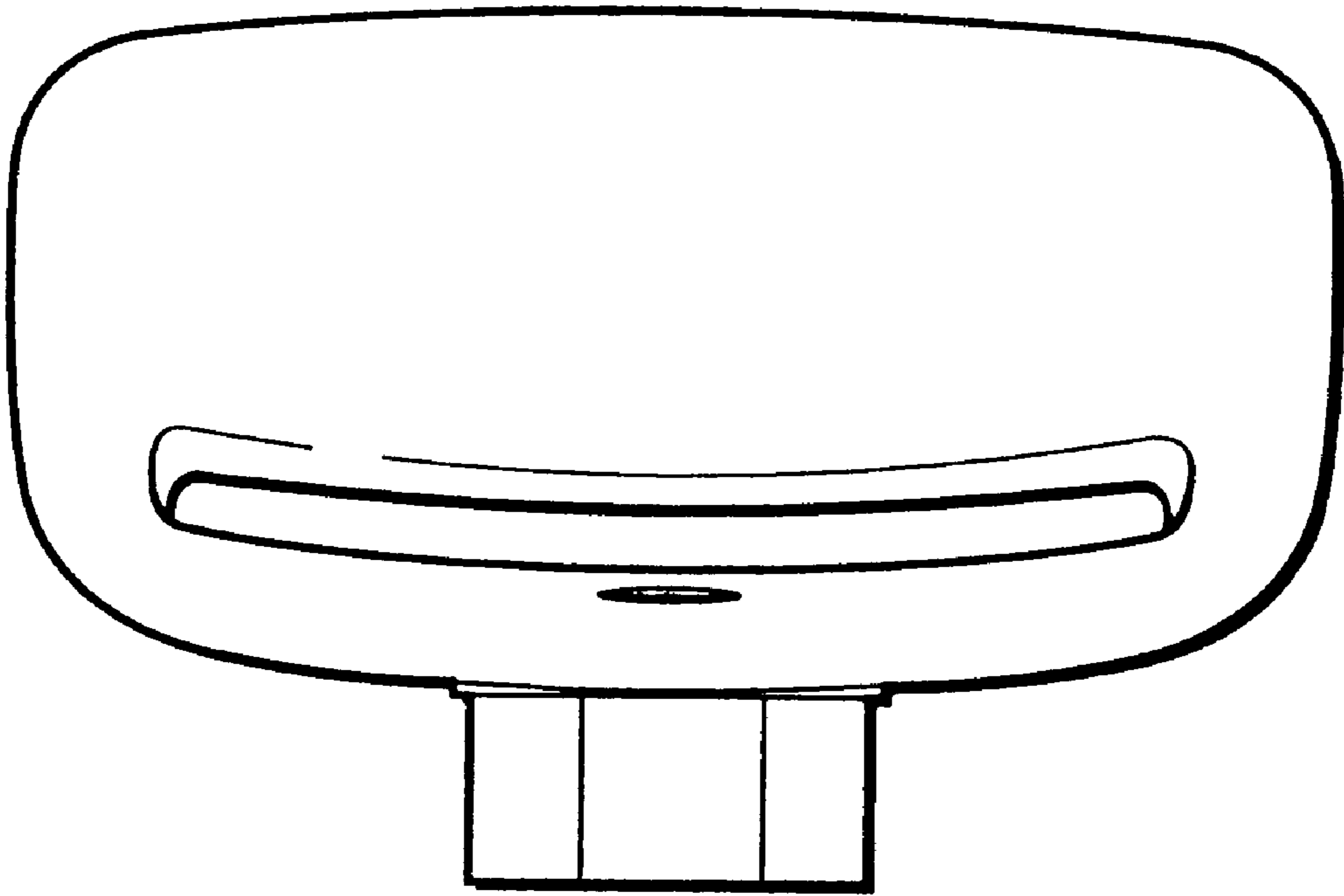


Fig. 3

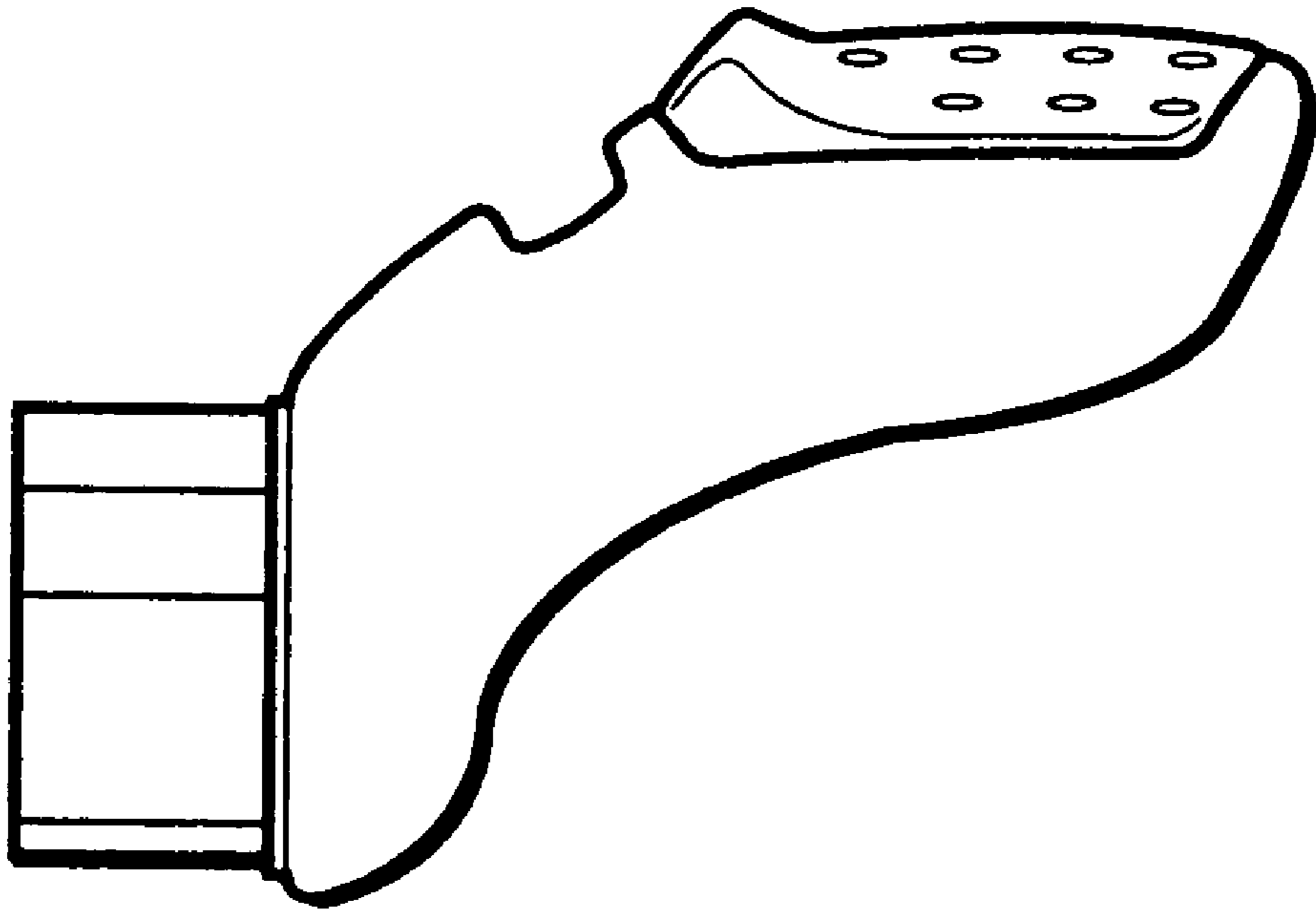


Fig. 4

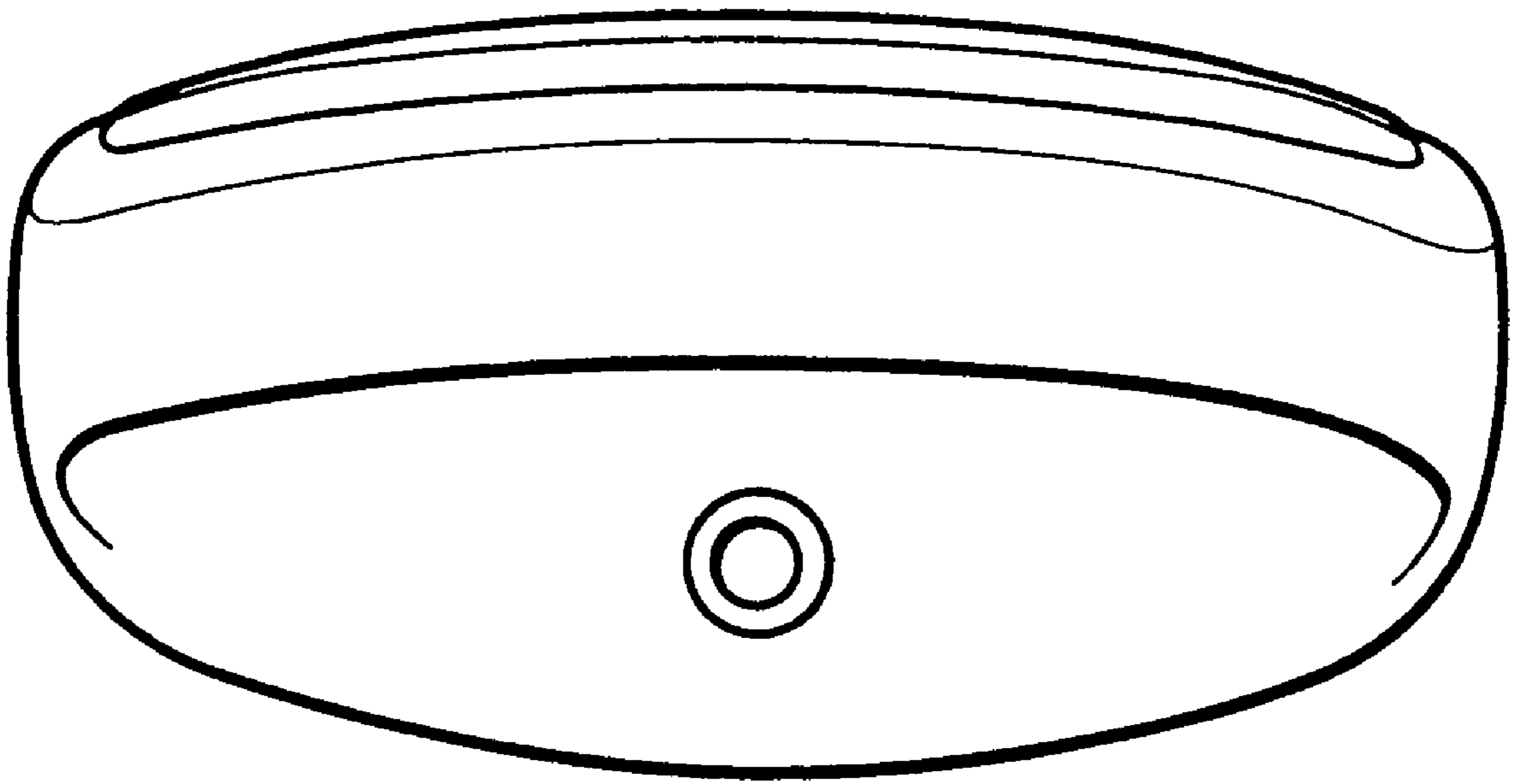


Fig. 5

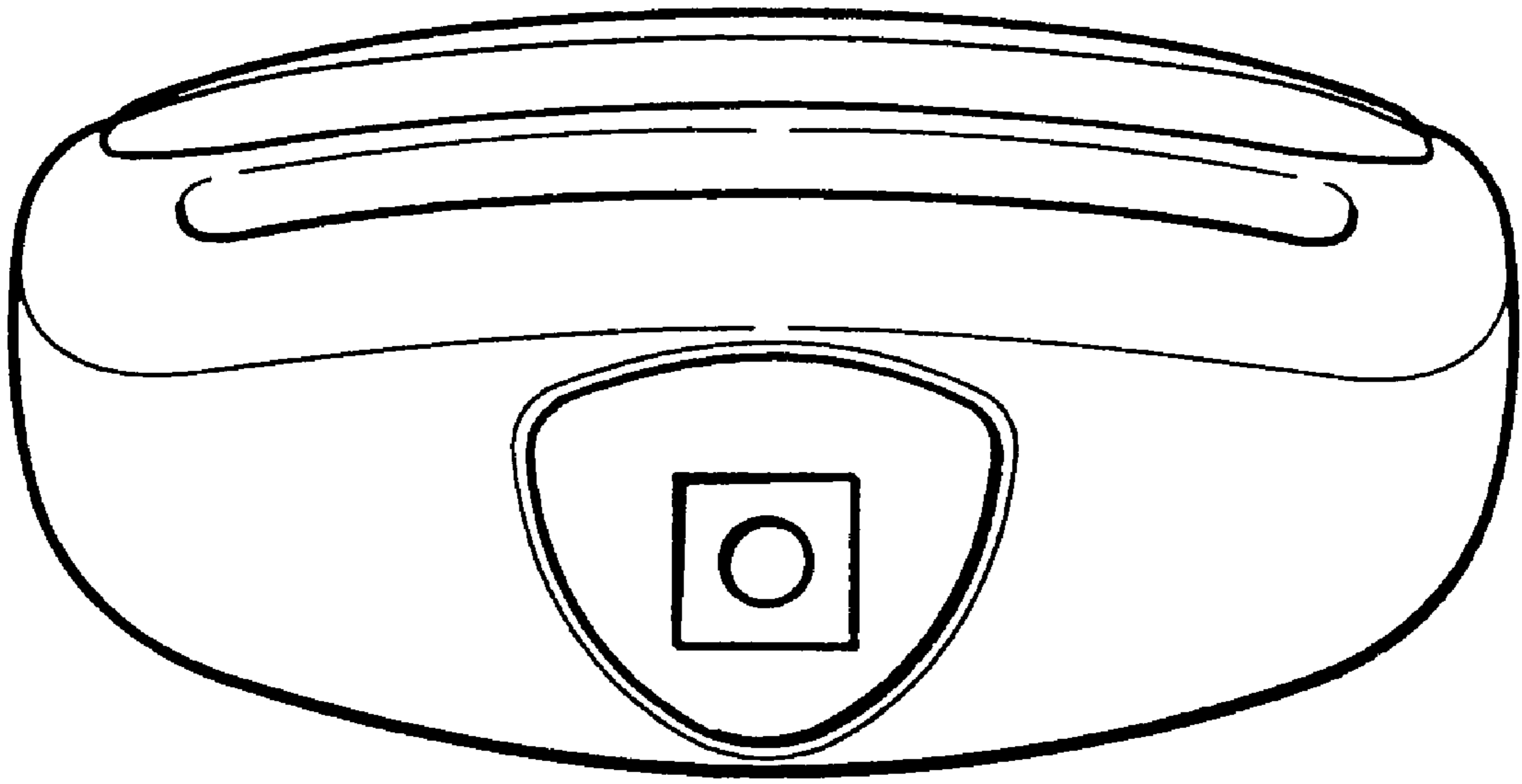


Fig. 6