



US00D410816S

United States Patent [19]

[11] Patent Number: **Des. 410,816**

Crescenzi et al.

[45] Date of Patent: **** Jun. 8, 1999**

[54] BATCH BOWL CONTINUOUS FEED FOOD PROCESSOR

Attorney, Agent, or Firm—McCormick, Paulding & Huber

[75] Inventors: **Donald Crescenzi**, Killingworth; **Thomas Rockwell**, Terryville; **Guy Casalino**, Weatogue; **Frank Chiappetta**, Woodbury; **Paul Turnrose**, Forestville, all of Conn.

[57] CLAIM

The ornamental design for the batch bowl continuous feed food processor, as shown and described.

[73] Assignee: **Conair Corporation**, Stamford, Conn.

DESCRIPTION

[**] Term: **14 Years**

FIG. 1 is a perspective view of the batch bowl continuous feed food processor.

[21] Appl. No.: **29/081,491**

FIG. 2 is a perspective view of the batch bowl continuous feed food processor.

[22] Filed: **Jan. 5, 1998**

FIG. 3 is a top view of the batch bowl continuous feed food processor.

[51] LOC (6) Cl. **31-00**

FIG. 4 is a bottom view of the batch bowl continuous feed food processor.

[52] U.S. Cl. **D7/384**

[58] Field of Search D7/376-386; 215/382; 366/37.5, 92, 93, 282.1, 282.2, 129, 130

FIG. 5 is a front view of the batch bowl continuous feed food processor.

[56] References Cited

FIG. 6 is a right hand side view of the batch bowl continuous feed food processor.

U.S. PATENT DOCUMENTS

D. 301,824 6/1989 Machuron D7/384
2,924,349 2/1960 Huck 215/382

FIG. 7 is a rear view of the batch bowl continuous feed food processor; and,

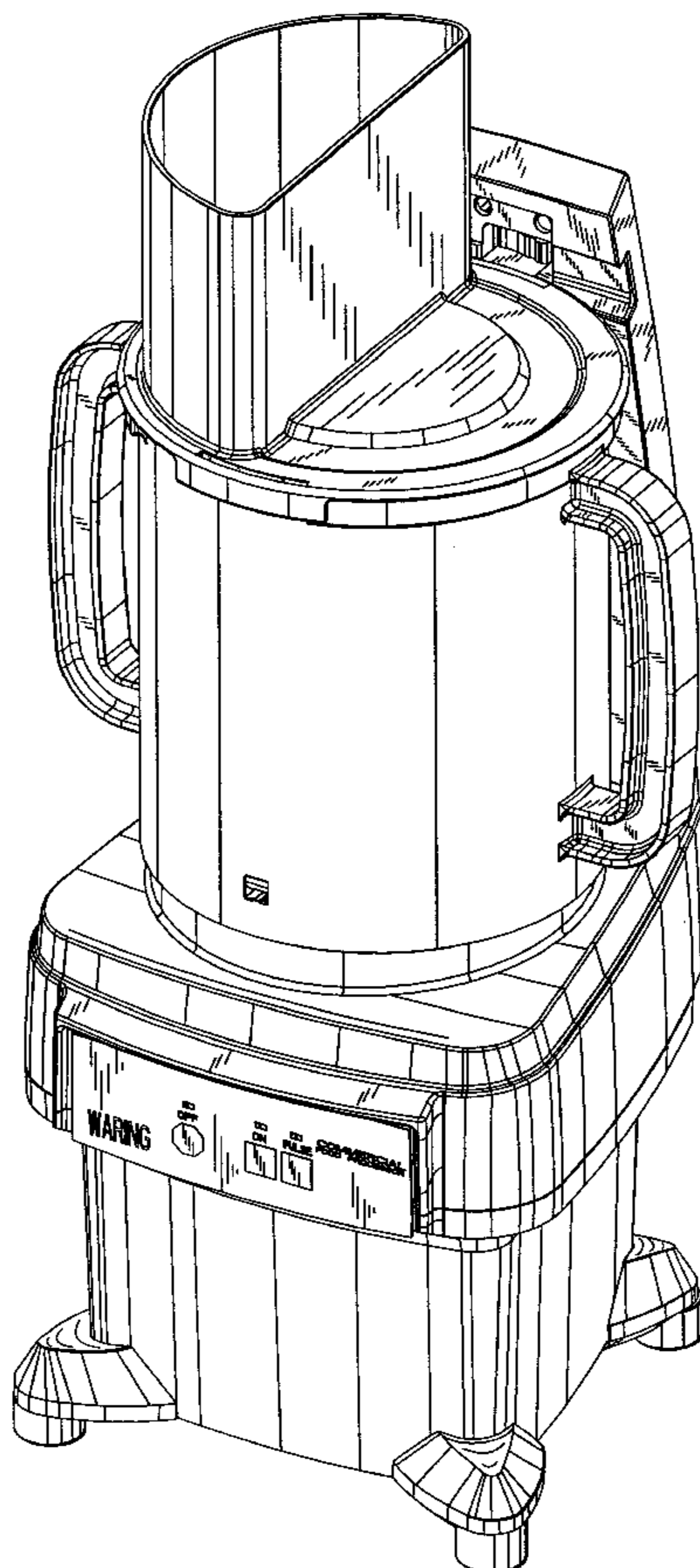
OTHER PUBLICATIONS

Hamilton Beach-Proctor Silex Catalog; Item C—#P93100 Blender, Feb. 2, 1996.

FIG. 8 is a left hand side view of the batch bowl continuous feed food processor.

Primary Examiner—Caron D. Veynar

1 Claim, 7 Drawing Sheets



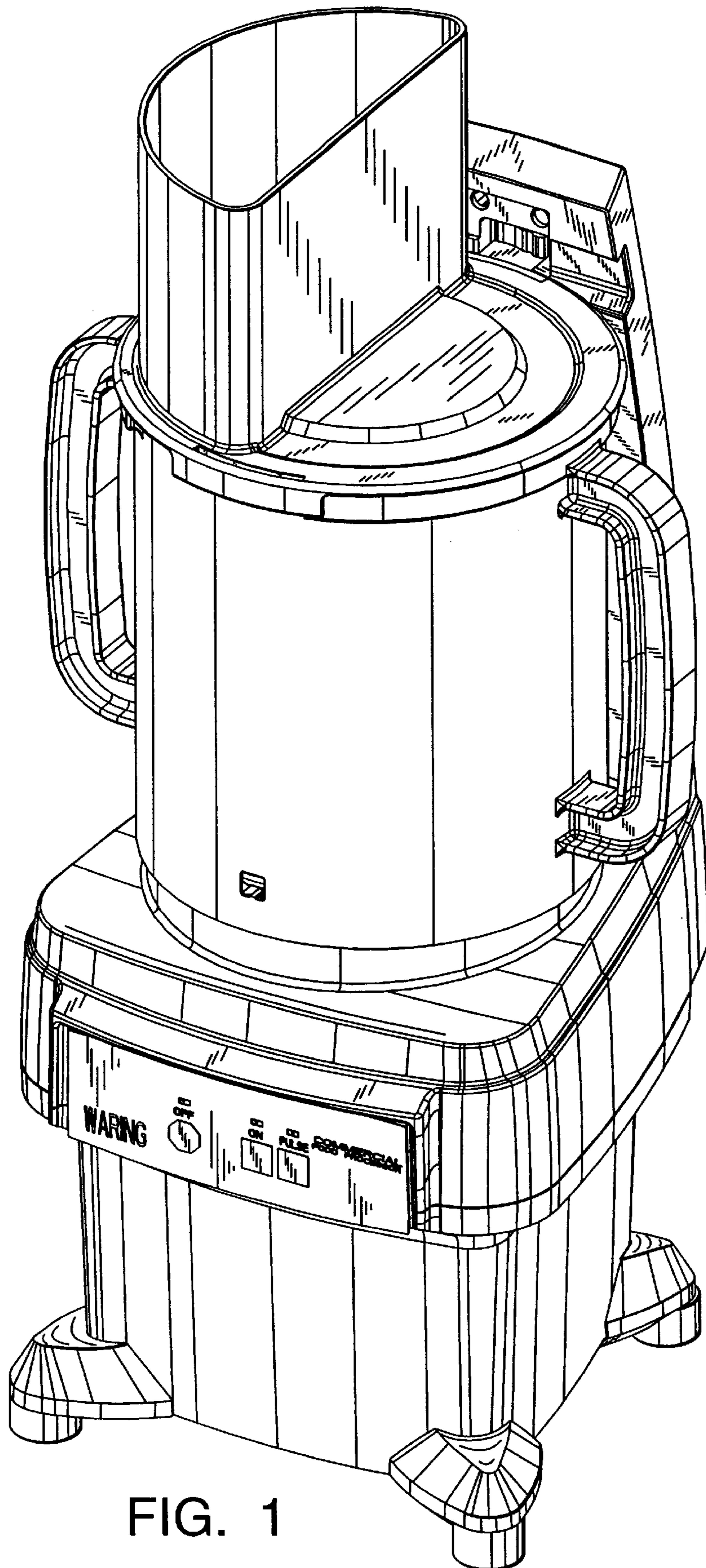


FIG. 1

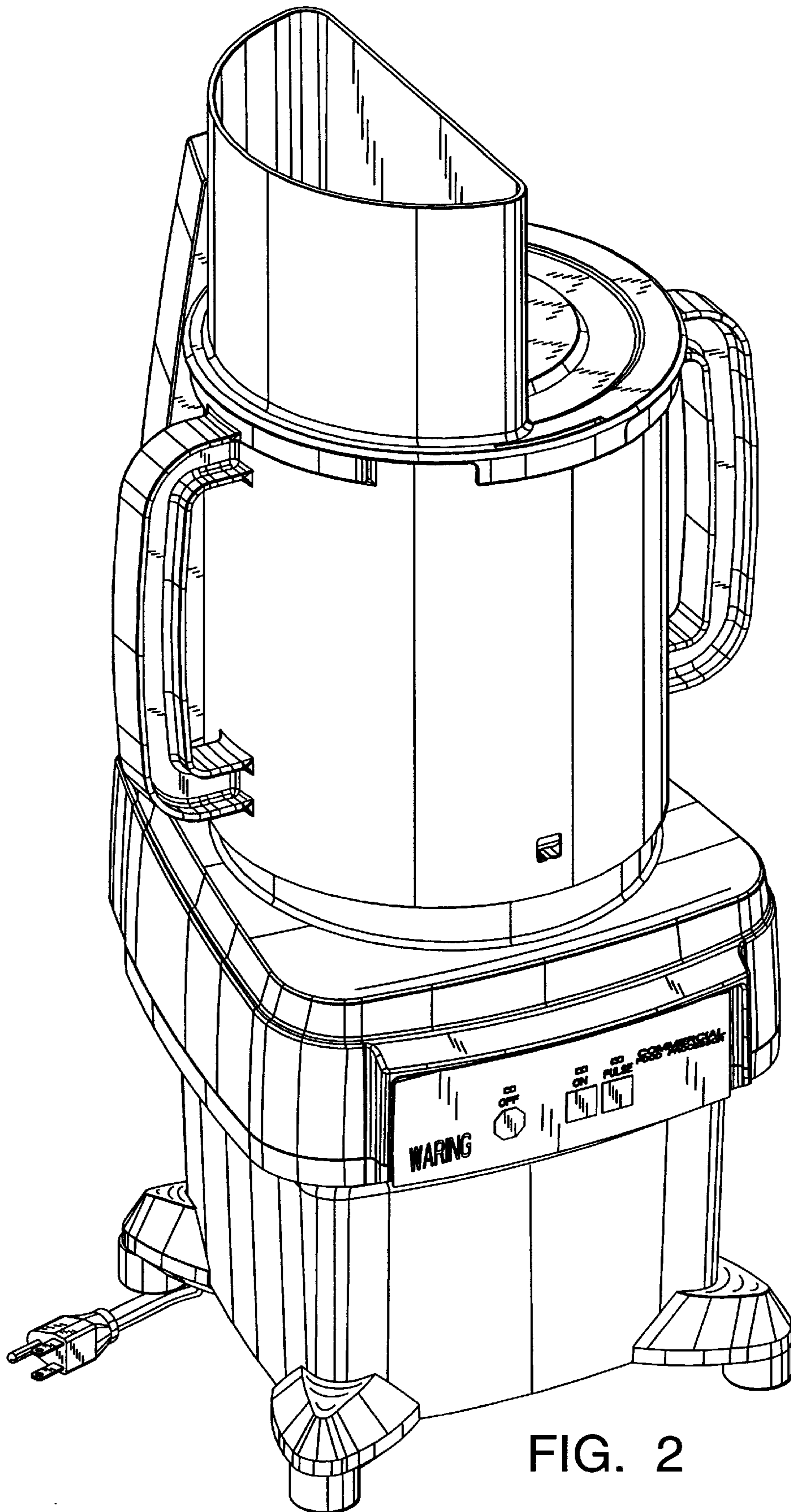


FIG. 2

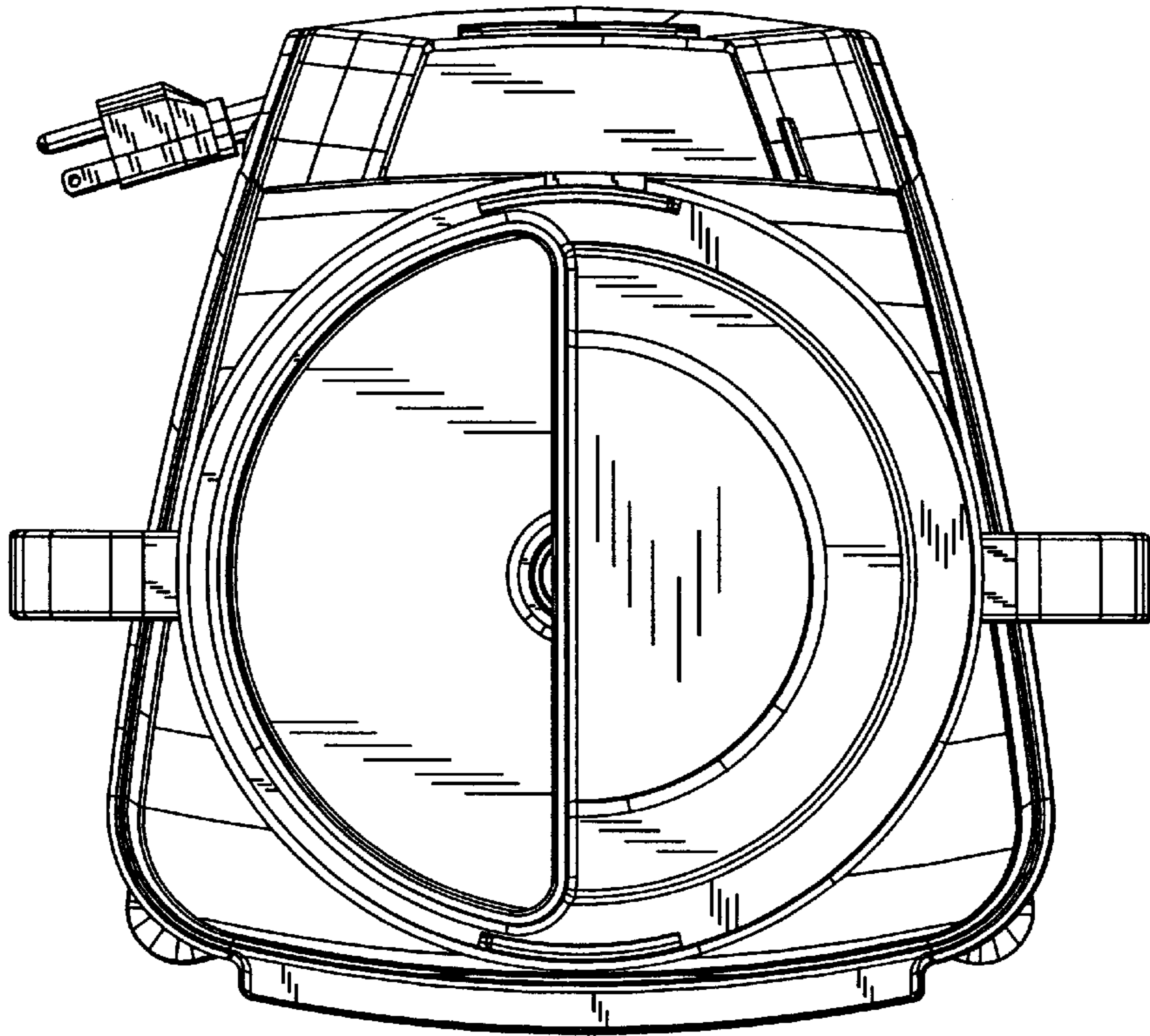


FIG. 3

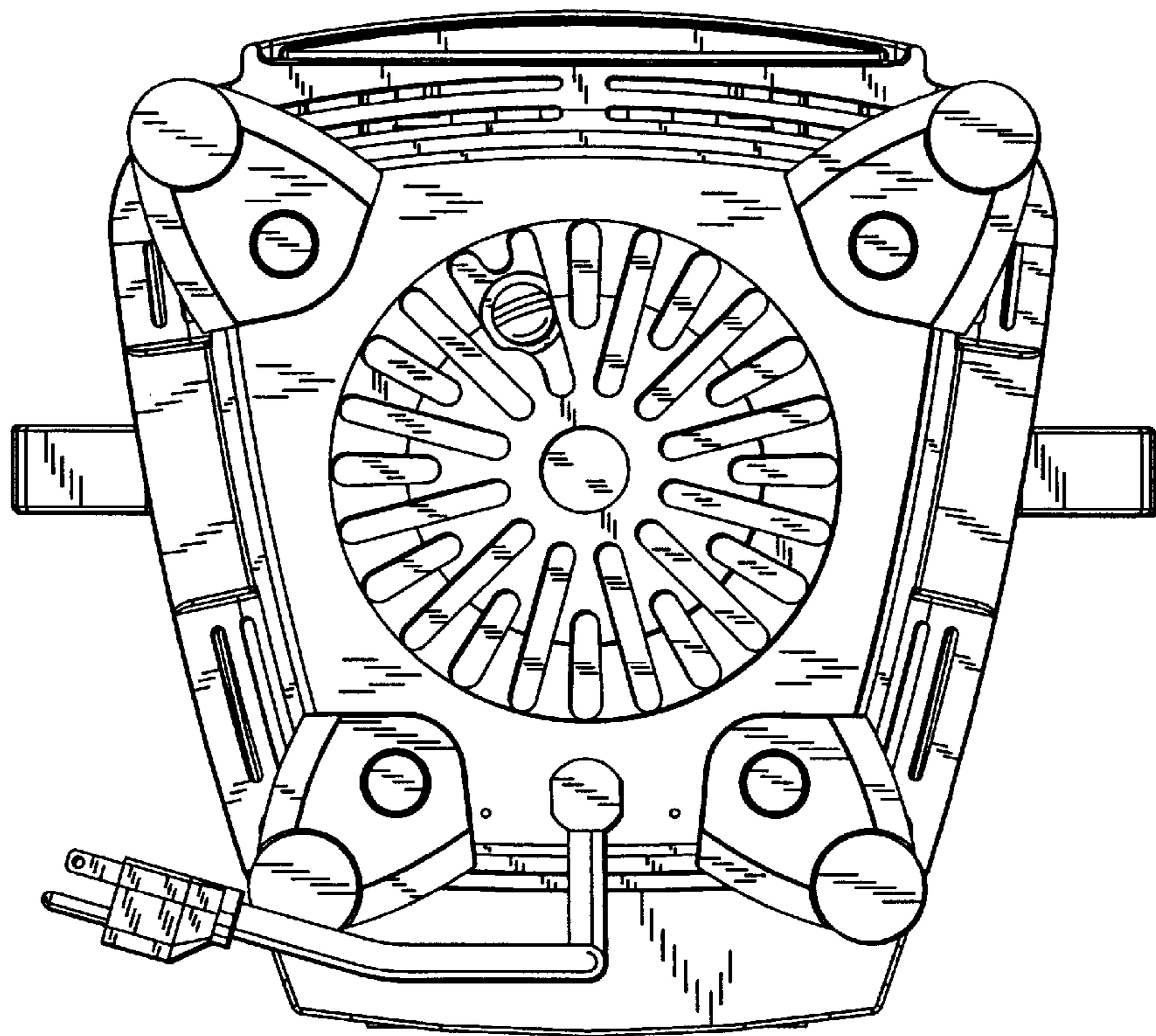


FIG. 4

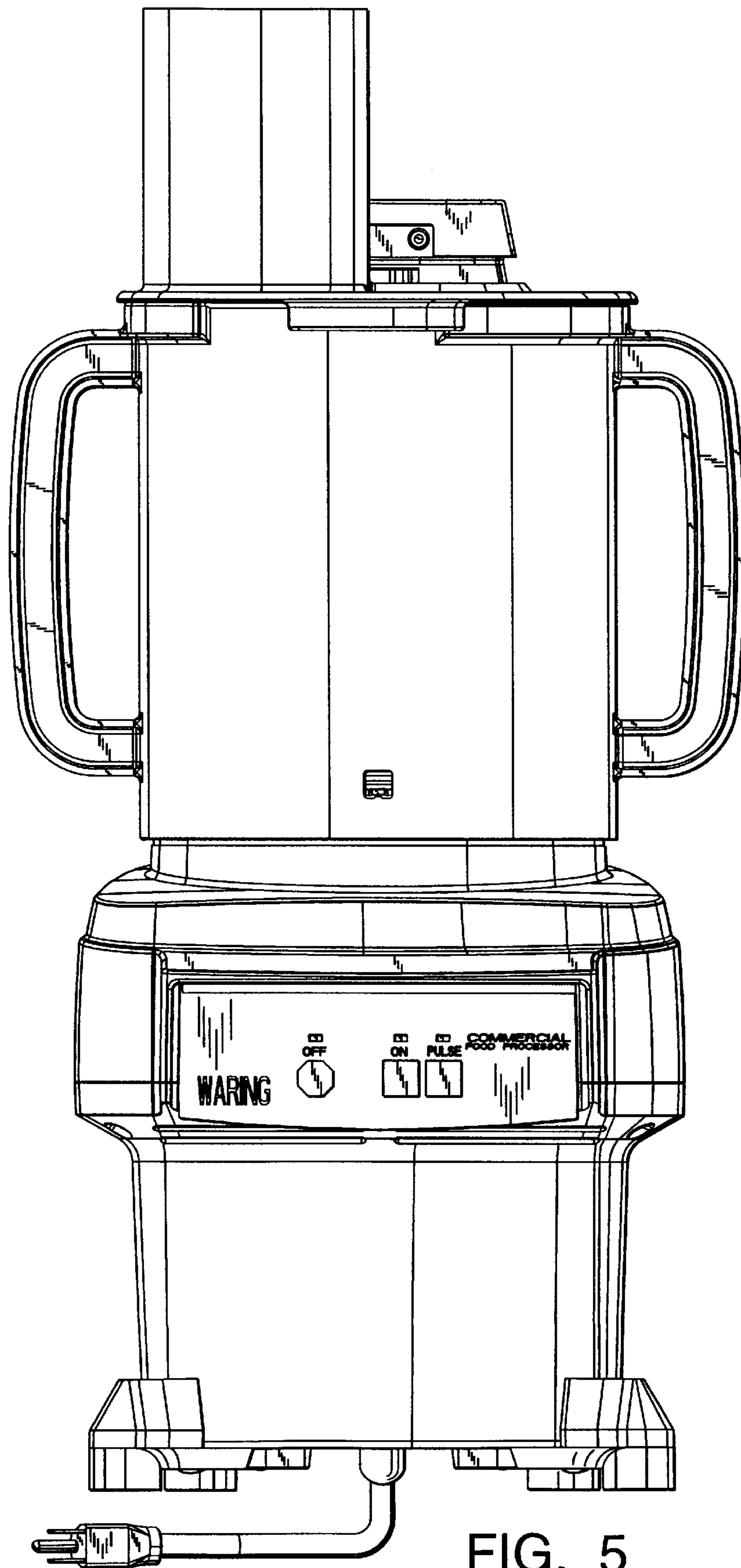


FIG. 5

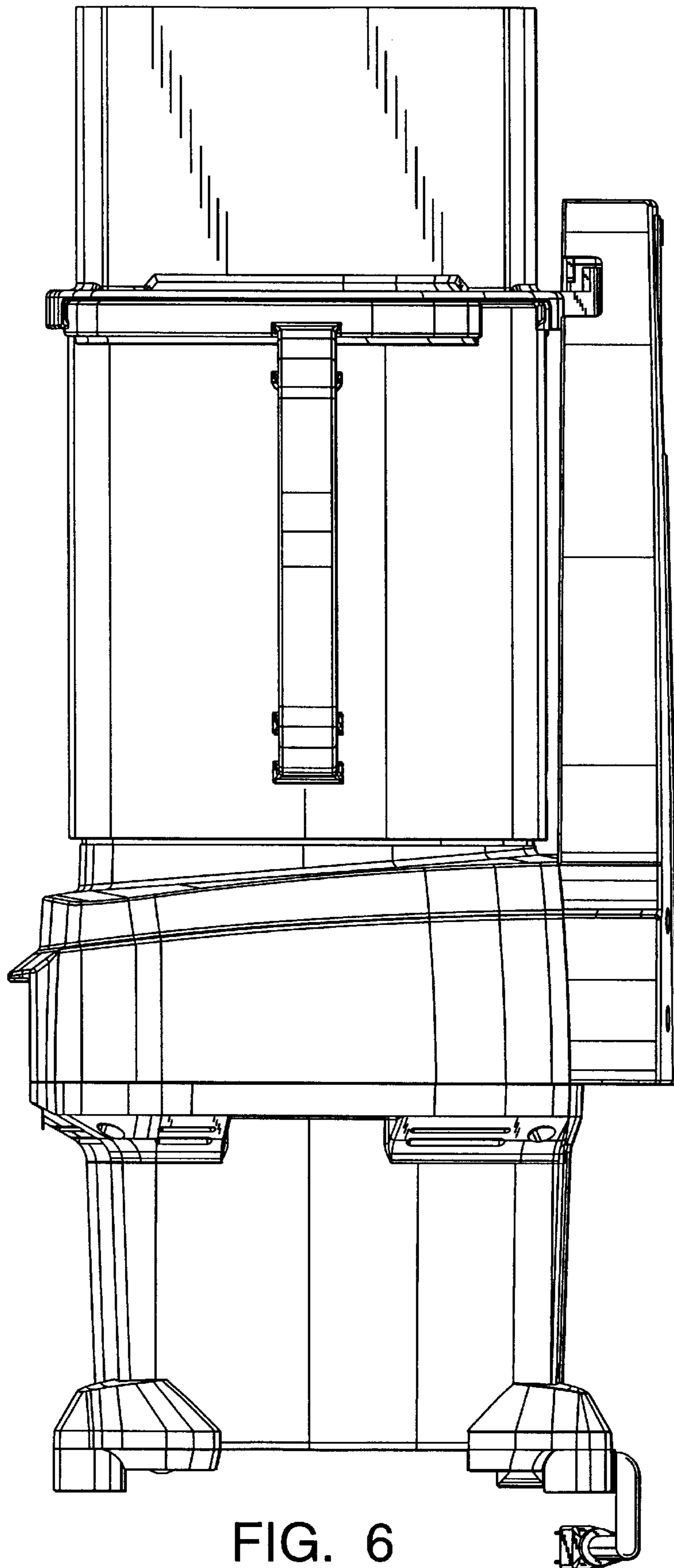


FIG. 6

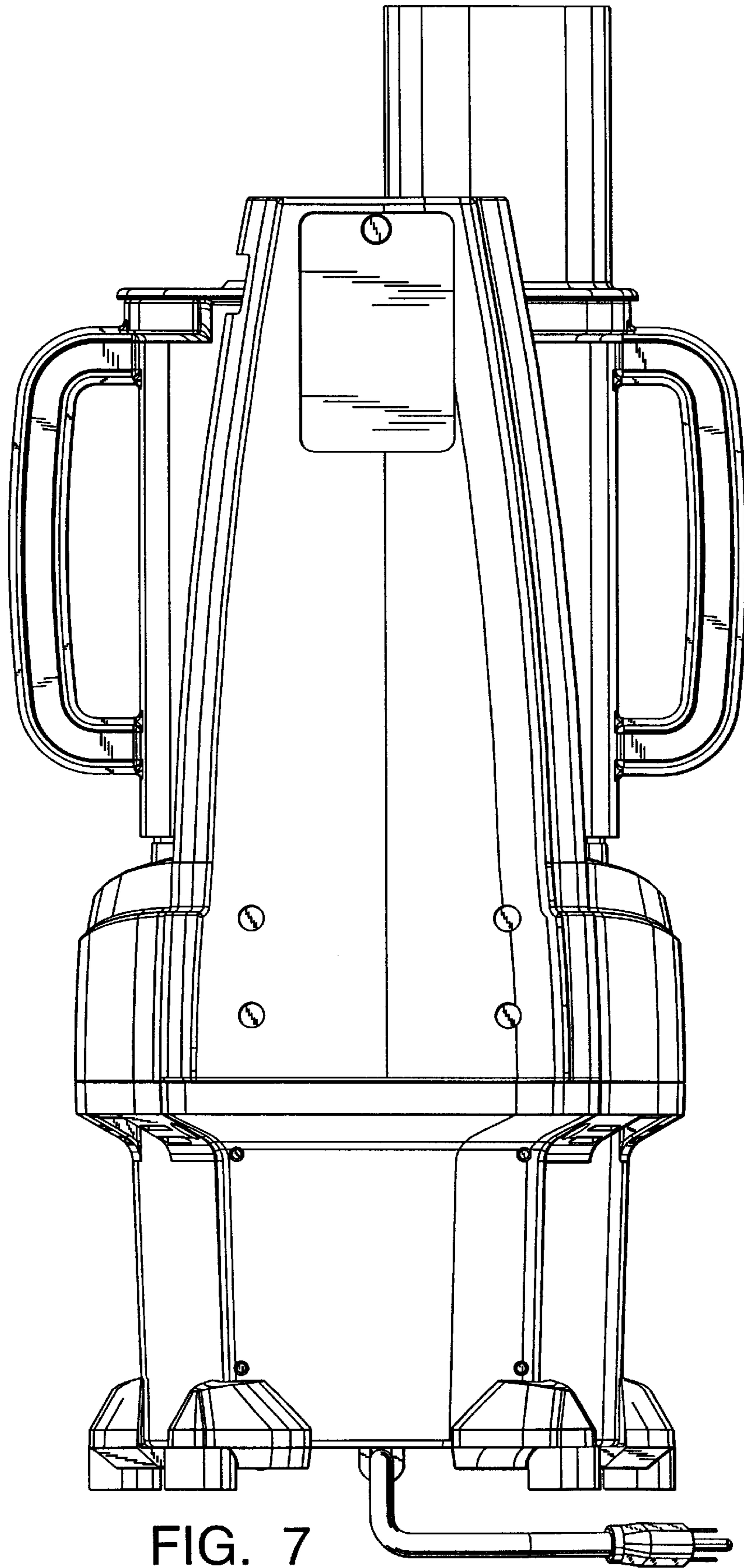


FIG. 7

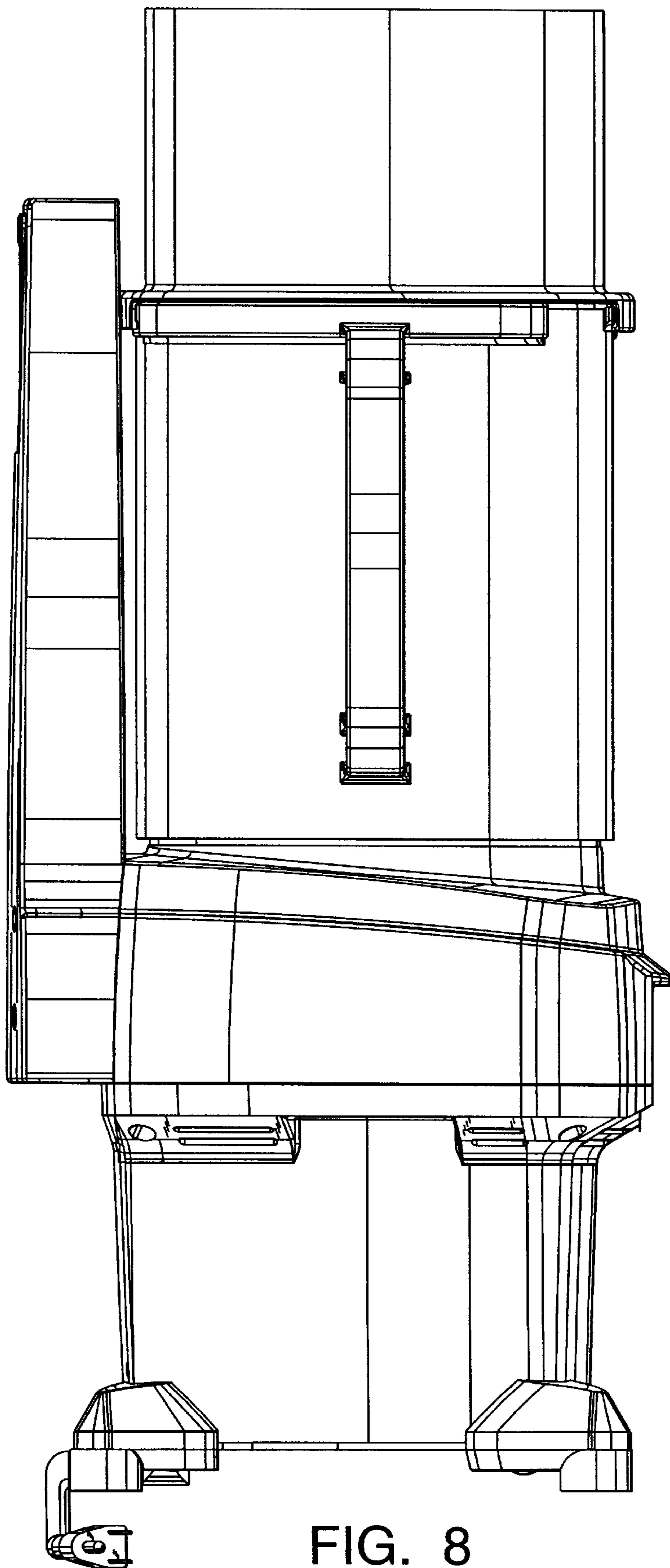


FIG. 8