



US00D410812S

United States Patent [19]
Pai

[11] **Patent Number: Des. 410,812**
[45] **Date of Patent: ** Jun. 8, 1999**

[54] **BARBEQUE GRILL**

5,186,159 2/1993 Crow, Jr. et al. 126/41 R
5,460,159 10/1995 Bussey 126/25 R

[76] Inventor: **Lucas Pai**, 9Fl.-1, No. 160, Sec. 1,
Taichungkang Rd., Taichung, Taiwan

Primary Examiner—Ruth McInroy
Attorney, Agent, or Firm—Rosenberg, Klein & Bilker

[**] Term: **14 Years**

[57] **CLAIM**

[21] Appl. No.: **29/082,003**

The ornamental design for a barbeque grill, as shown and described.

[22] Filed: **Jan. 13, 1998**

DESCRIPTION

[51] **LOC (6) Cl.** **07-02**

[52] **U.S. Cl.** **D7/334**

[58] **Field of Search** D7/332-338, 402-404,
D7/409; 126/25 R, 25 A, 25 AA, 26-27,
29-30, 9 R, 41 R, 40, 50, 245, 38; 99/482

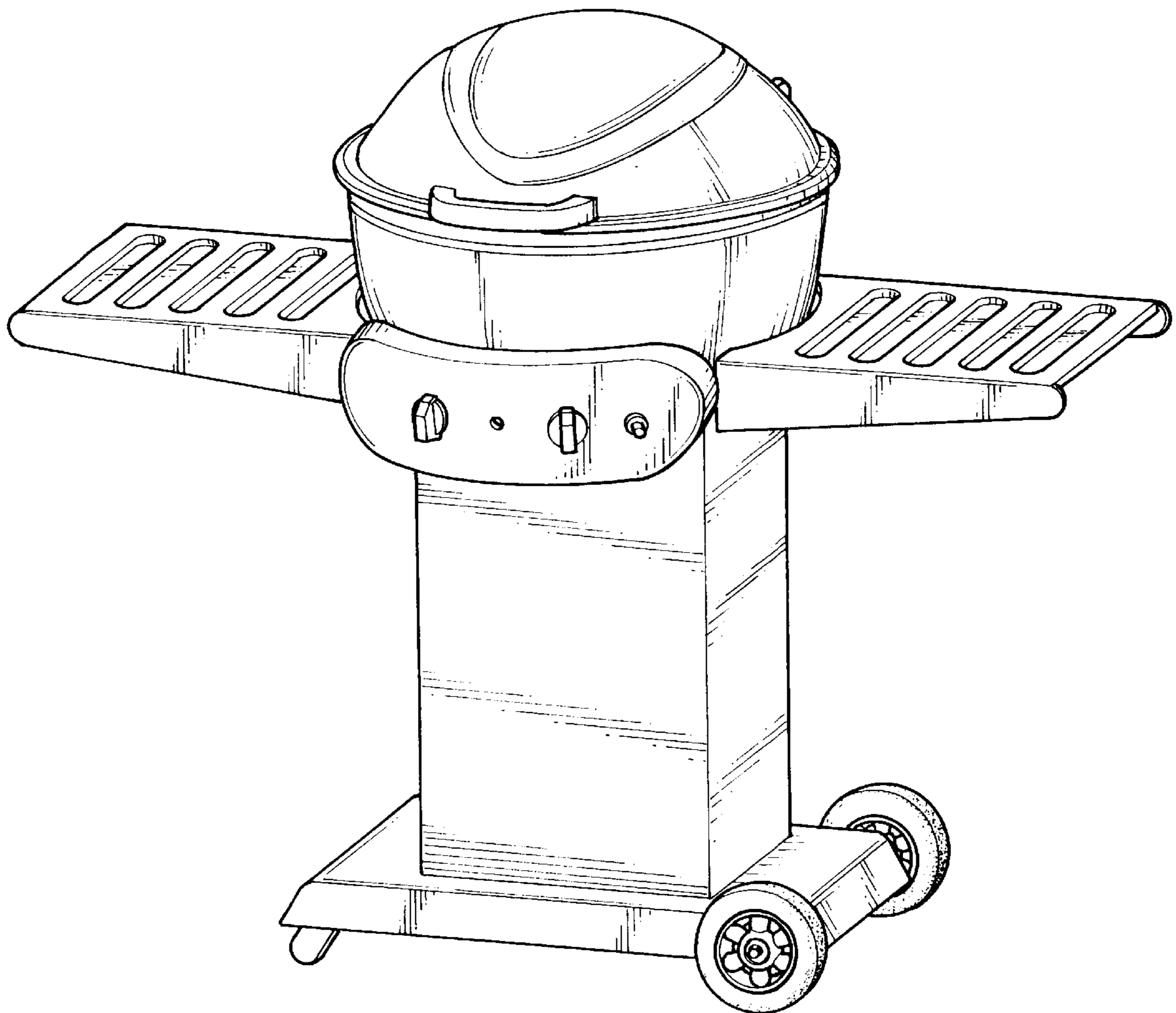
FIG. 1 is a front-right-top perspective view of a barbeque grill, showing my new design;
FIG. 2 is a front elevational view thereof;
FIG. 3 is a rear elevational view thereof;
FIG. 4 is a left side elevational view thereof;
FIG. 5 is a right side elevational view thereof;
FIG. 6 is a top plan view thereof; and,
FIG. 7 is a bottom plan view thereof.

[56] **References Cited**

U.S. PATENT DOCUMENTS

D. 260,348 8/1981 Larson D7/335
D. 284,443 7/1986 Parlour D7/334

1 Claim, 7 Drawing Sheets



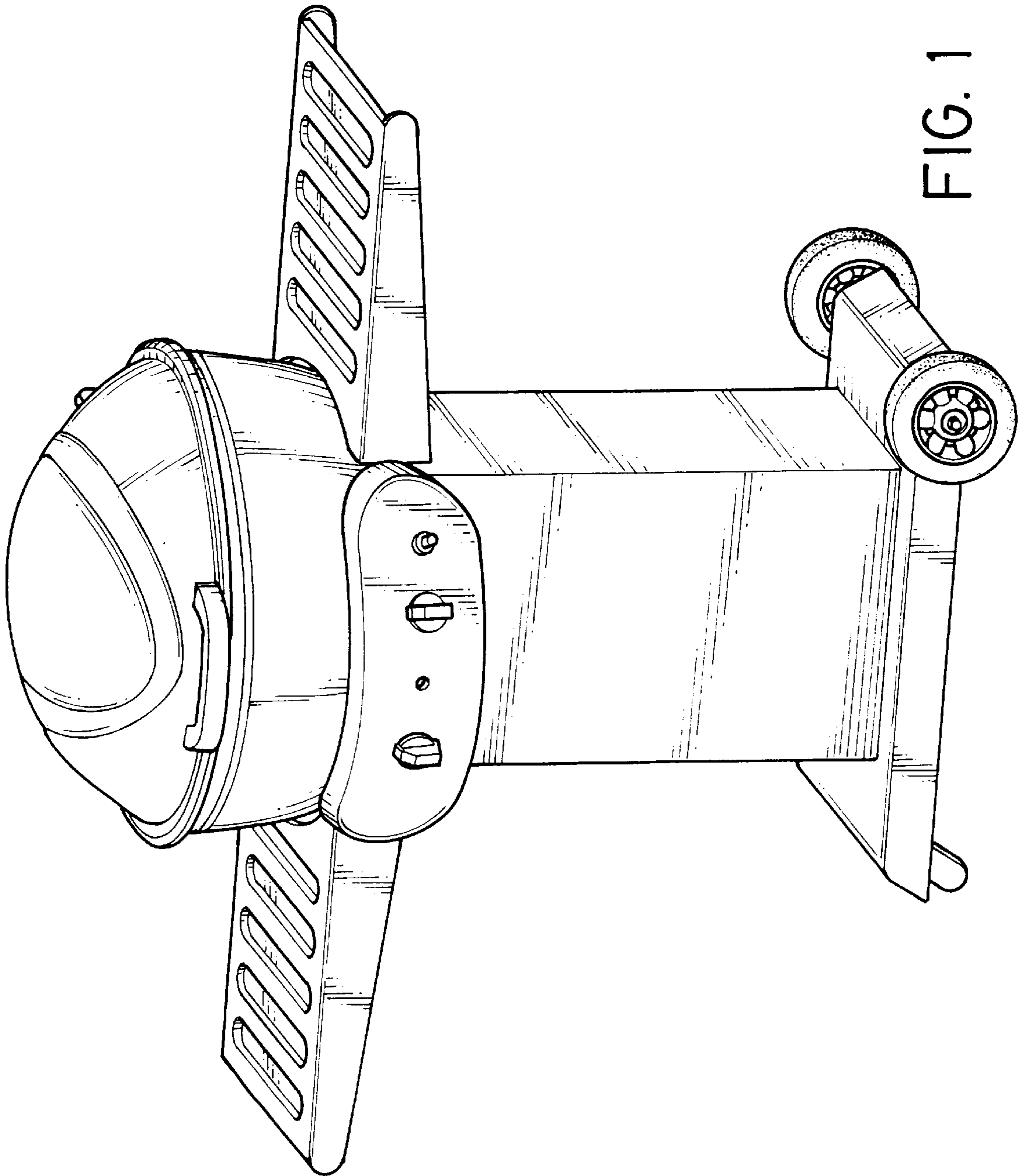


FIG. 1

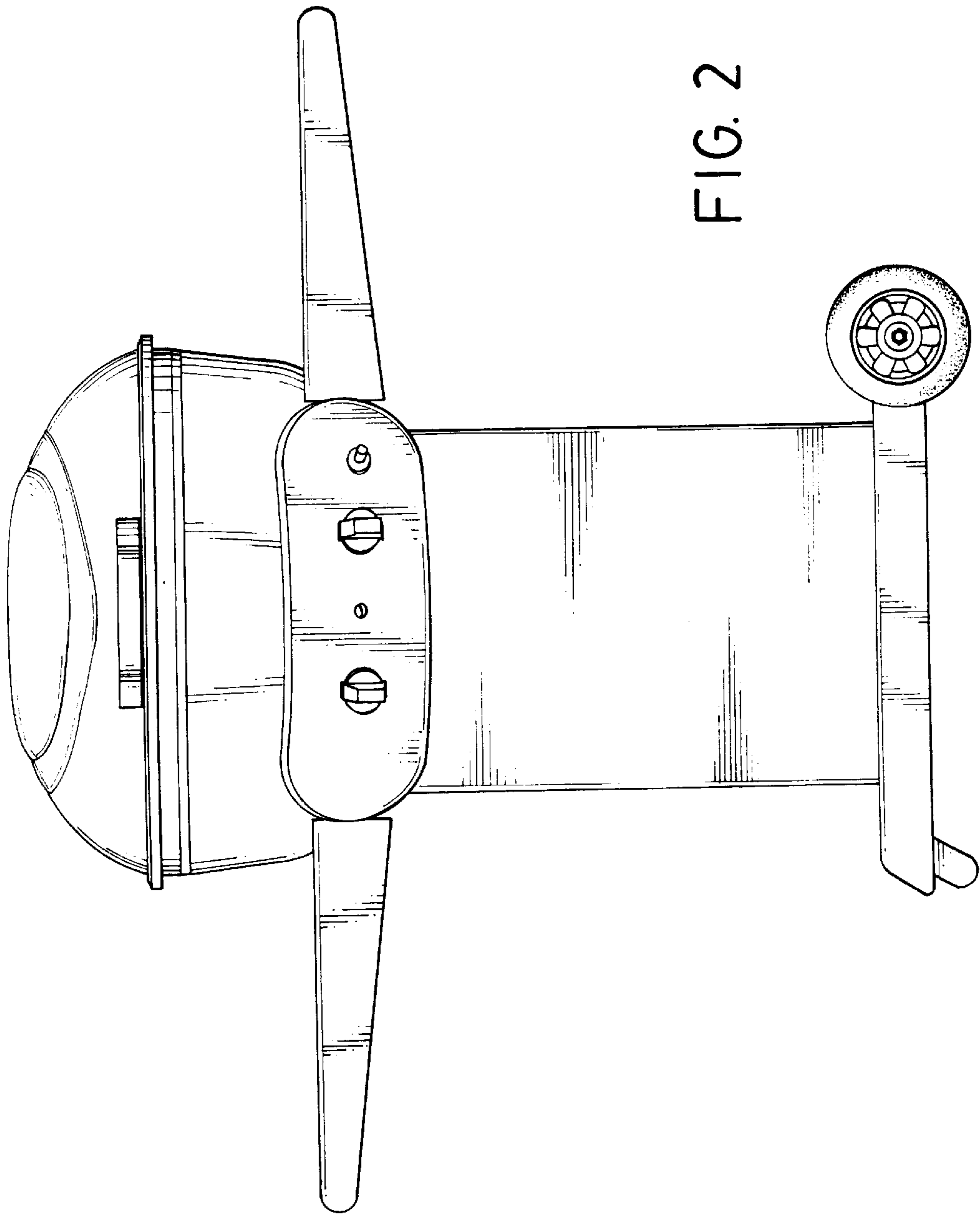


FIG. 2

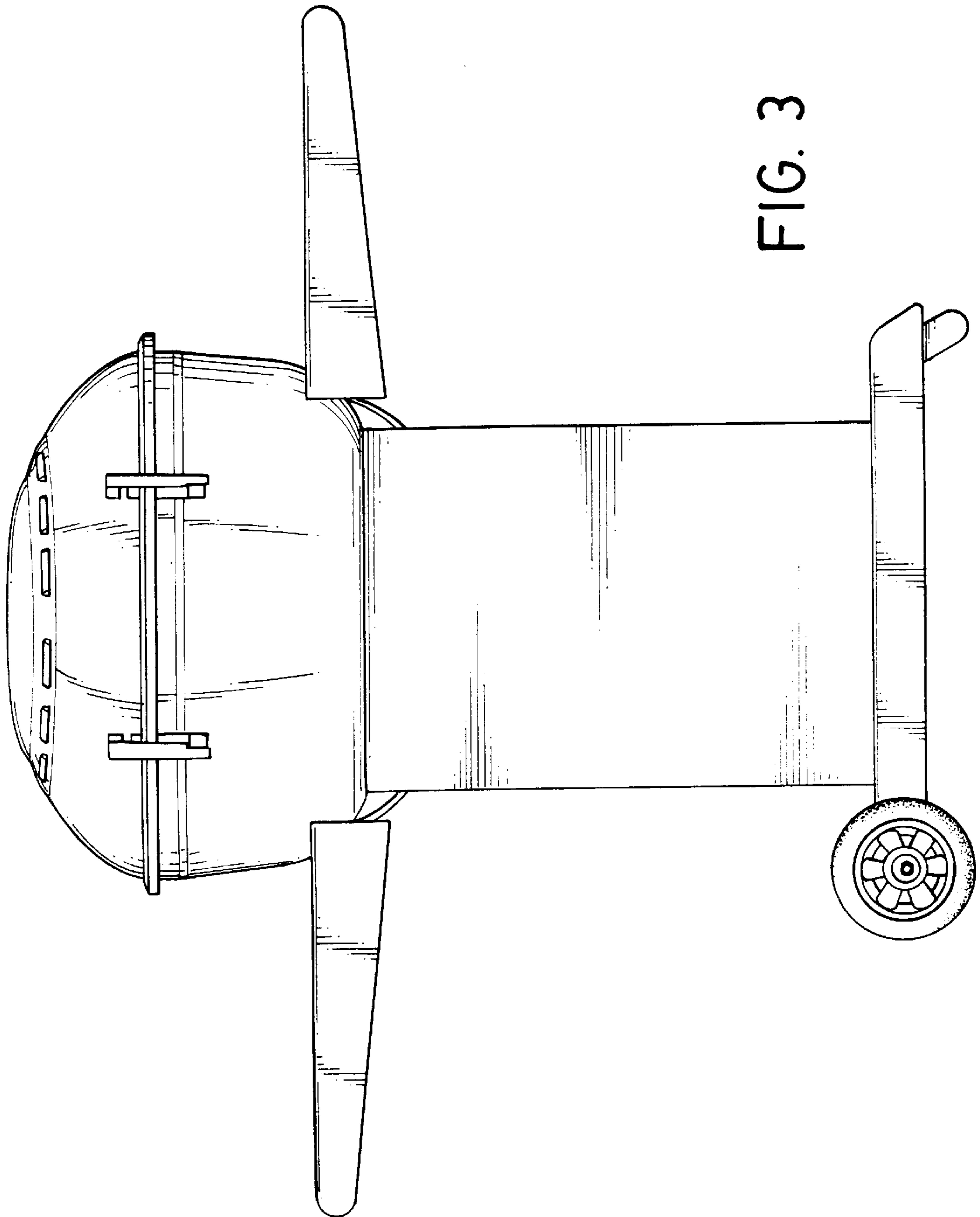


FIG. 3

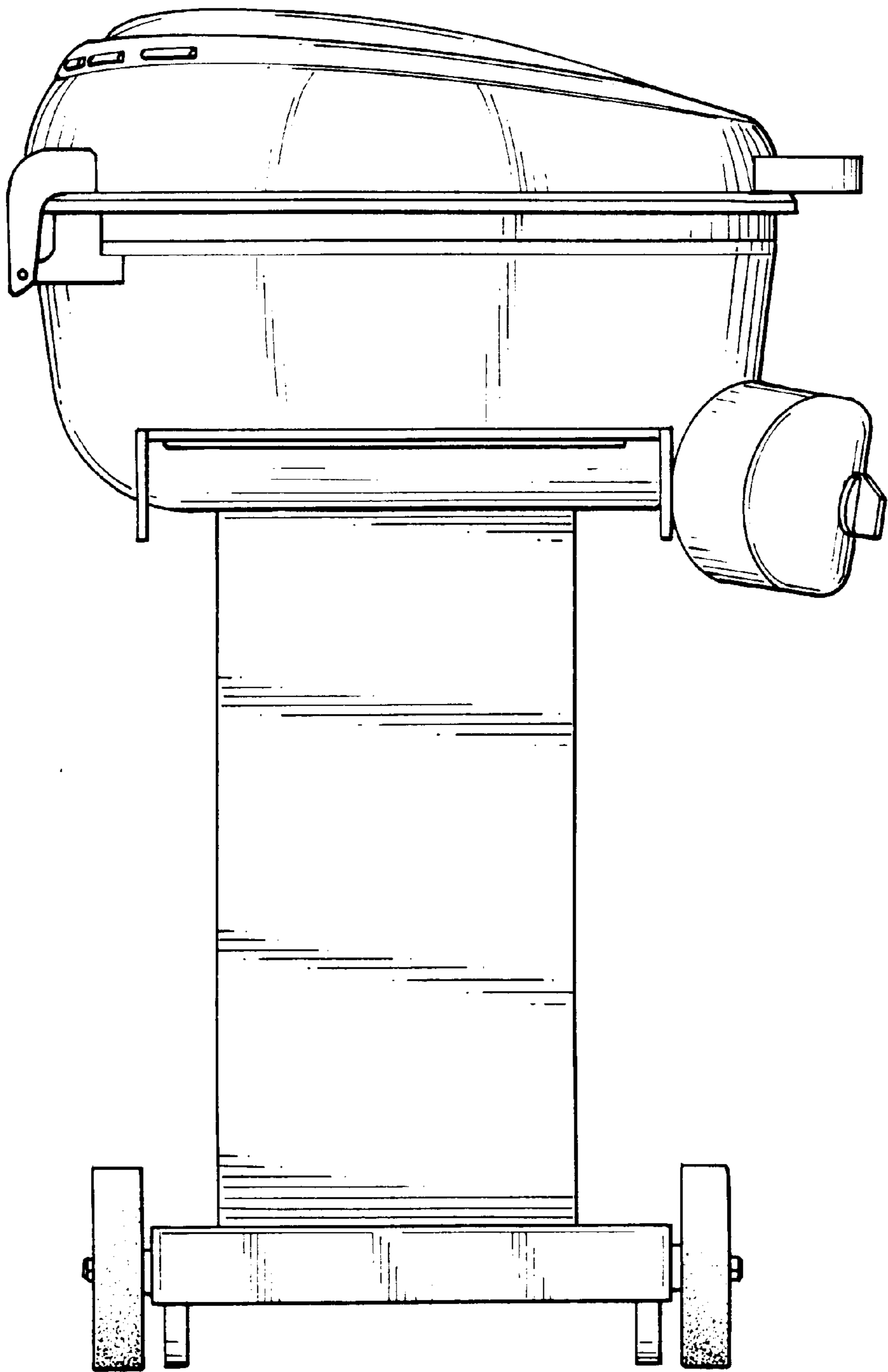


FIG. 4

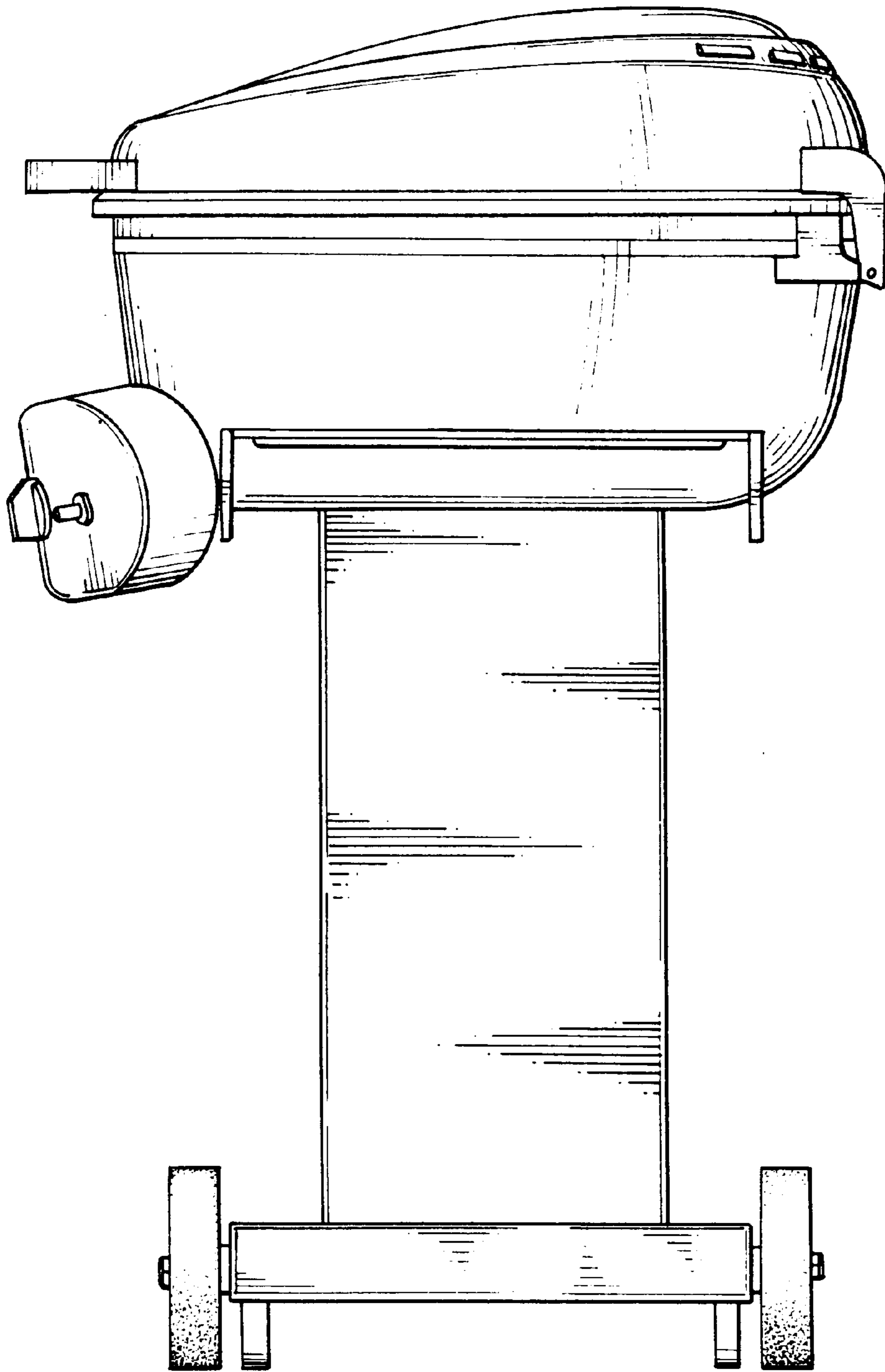


FIG. 5

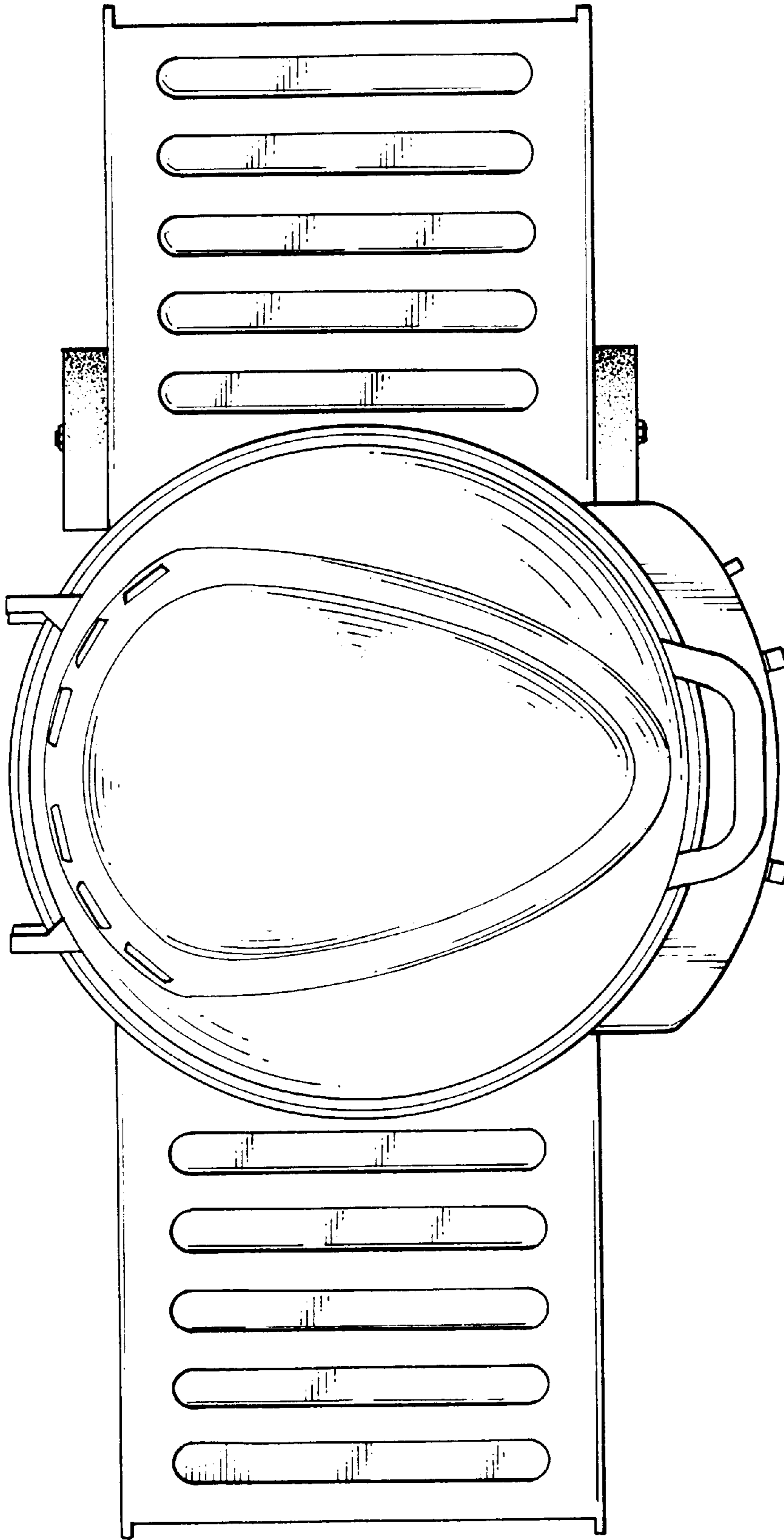


FIG. 6

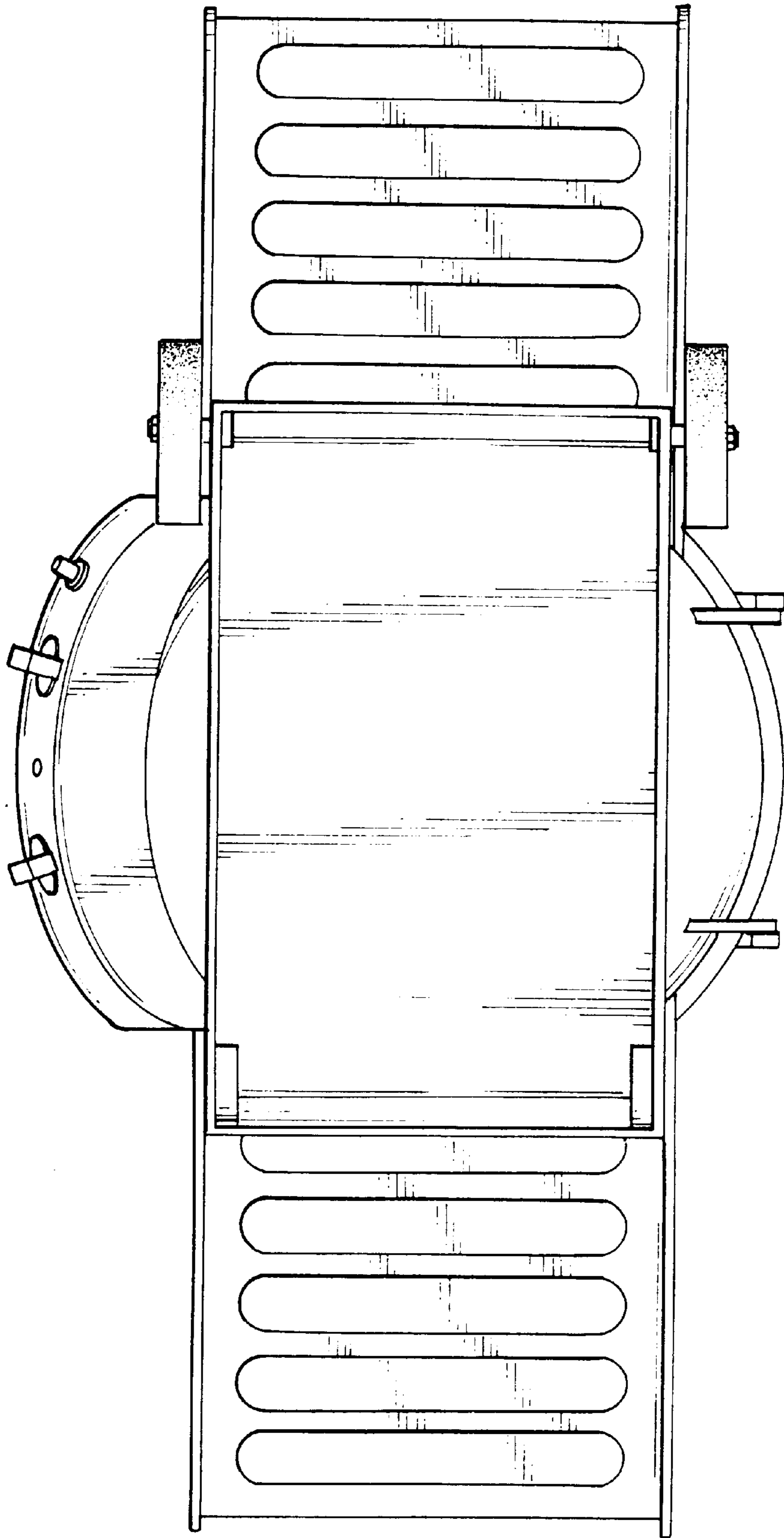


FIG. 7