



US00D410809S

United States Patent [19]
Zaidman

[11] **Patent Number: Des. 410,809**
[45] **Date of Patent: ** Jun. 8, 1999**

[54] **HEADBOARD**

[75] Inventor: **S. Paul Zaidman**, Winnipeg, Canada

[73] Assignee: **Palliser Furniture Ltd.**, Winnipeg, Canada

[**] Term: **14 Years**

[21] Appl. No.: **29/082,928**

[22] Filed: **Jan. 30, 1998**

[51] **LOC (6) Cl.** **06-01**

[52] **U.S. Cl.** **D6/505**

[58] **Field of Search** D6/382-384, 388-395, D6/505-508; 5/53.1, 279.1, 280, 281, 907

[56] **References Cited**

U.S. PATENT DOCUMENTS

D. 349,623 8/1994 Bargagli-Stoffi D6/505
D. 393,163 4/1998 Zaidman D6/505

OTHER PUBLICATIONS

Catalogue photos of Palliser series 232-B, 232-C, 232-F and 232-O Master Bedroom, Oct., 1991.
Furniture Today, Jan. 10, 1994, headboard at top.

Primary Examiner—Janice E. Seeger
Attorney, Agent, or Firm—Clifford W. Browning; Woodard, Emhardt, Naughton Moriarty & McNett

[57] **CLAIM**

The ornamental design for a headboard, as shown and described.

DESCRIPTION

FIG. 1 is a front elevational view of a headboard, showing my new design;

FIG. 2 is a front, left side perspective view of the design, and the front, right side perspective view is a mirror image.

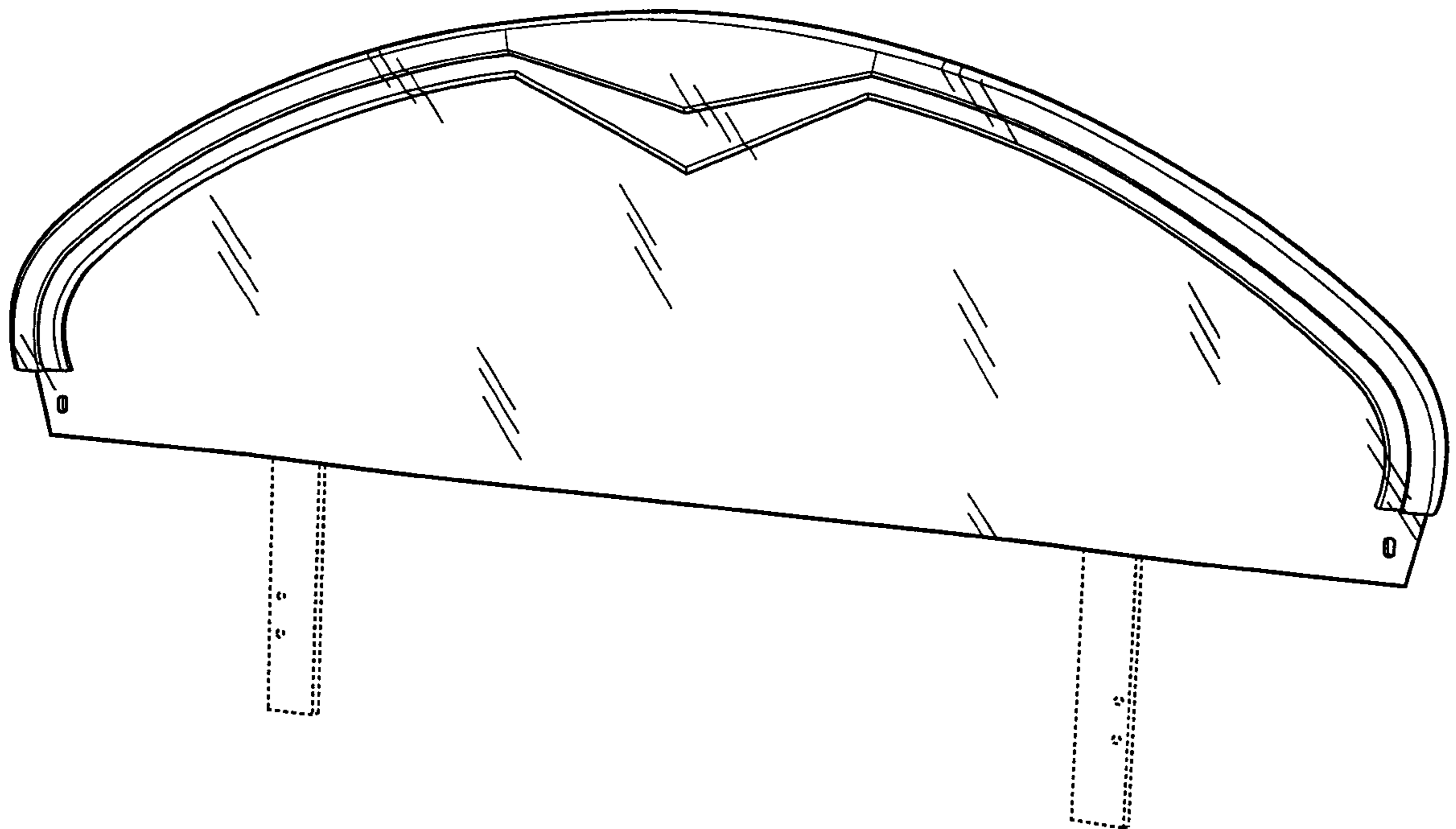
FIG. 3 is a partial cross-sectional view at A-A in FIG. 1; and,

FIG. 4 is a right side view of the design, and the left side view is the mirror image.

The broken lines are for environmental purposes only and form no part of the claimed design.

The rear, top and bottom views of the headboard are of a plain, non-ornamental back, top and bottom, respectively.

1 Claim, 4 Drawing Sheets



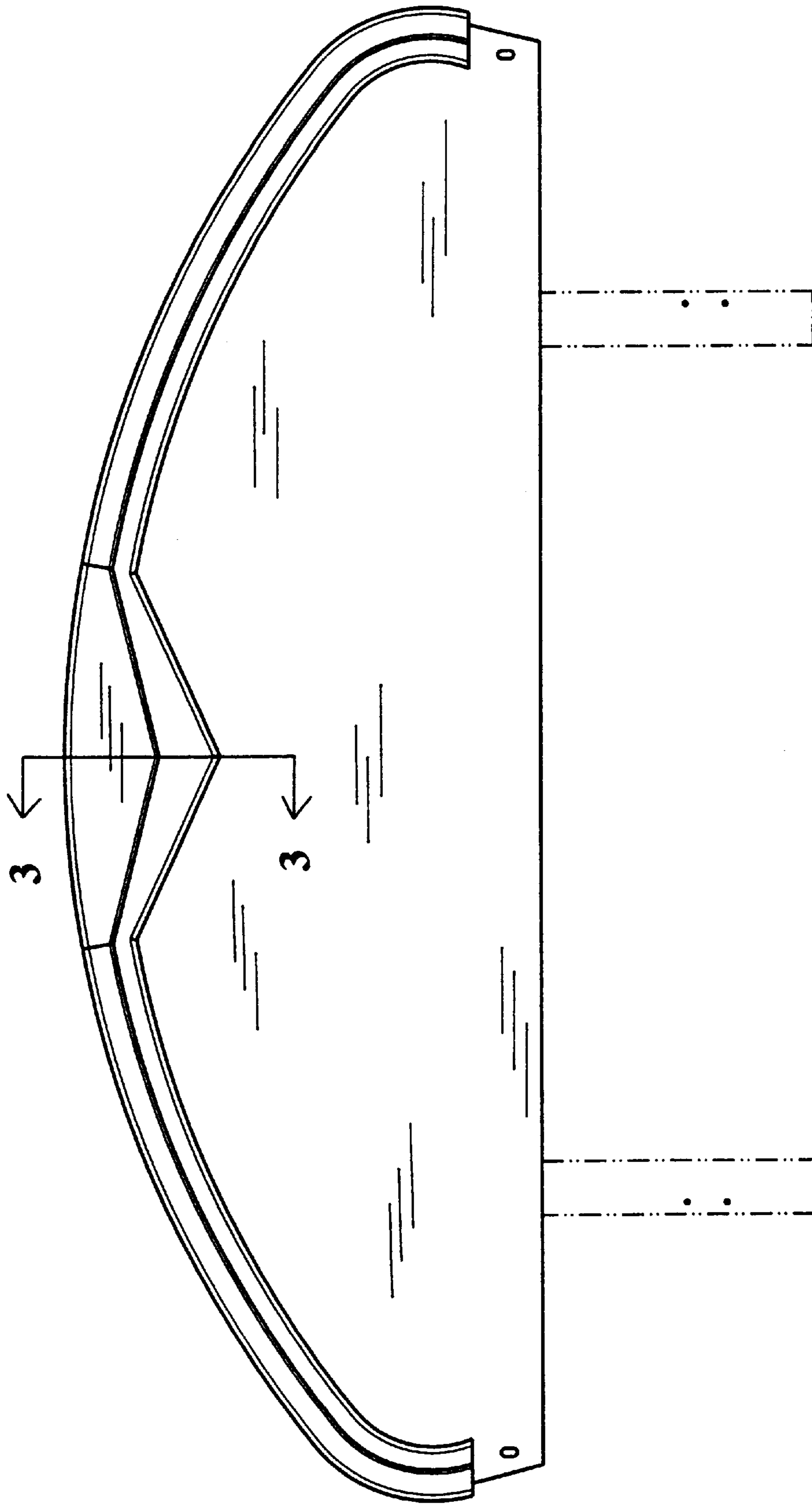


FIG. 1

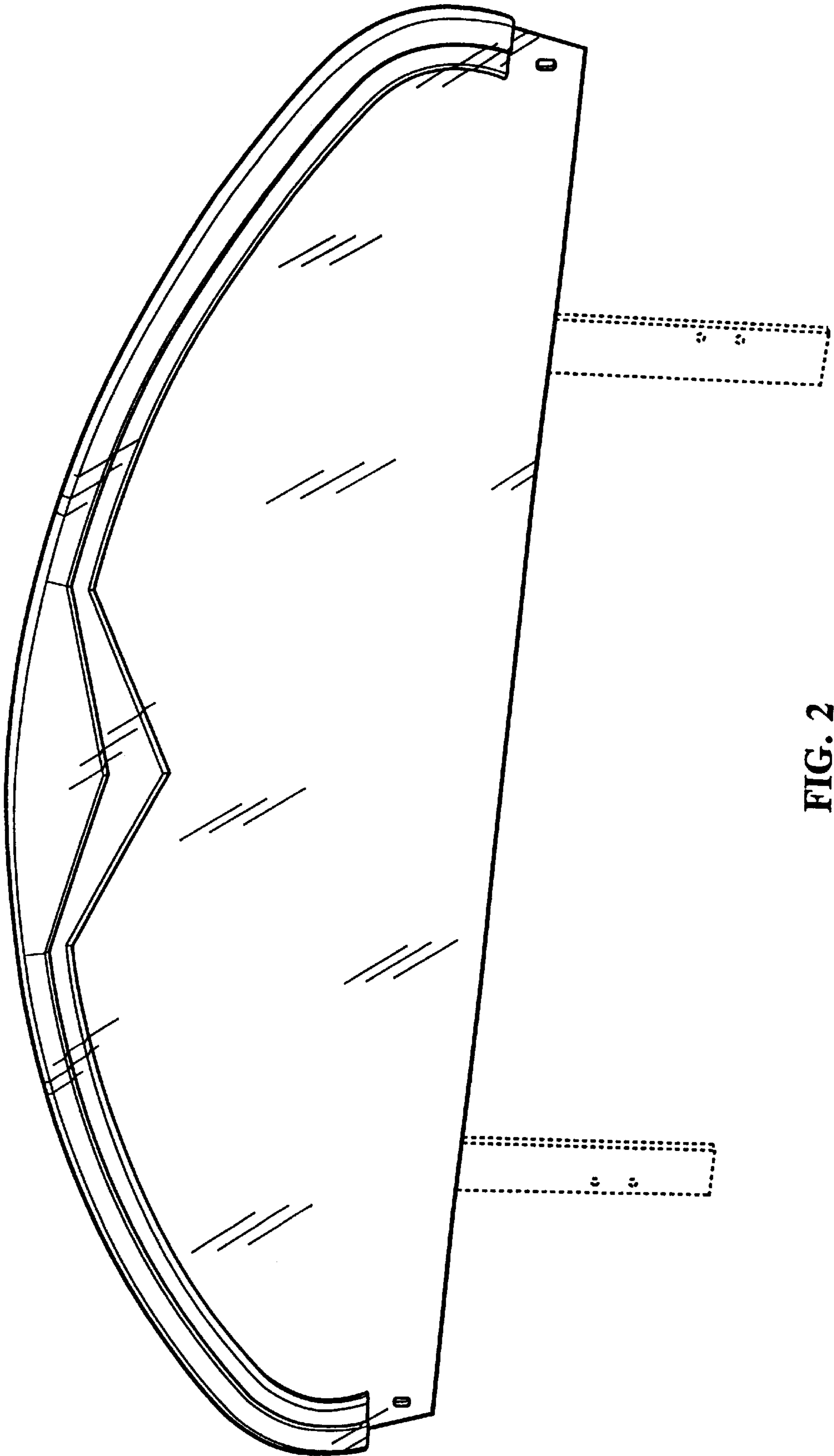


FIG. 2

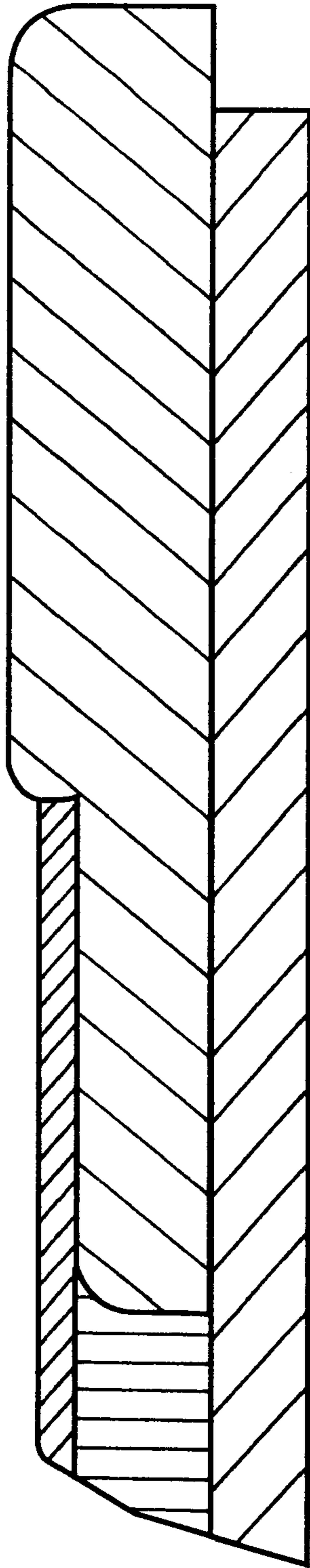


FIG. 3



FIG. 4