



US00D410808S

United States Patent [19]

Baumann et al.

[11] Patent Number: **Des. 410,808**

[45] Date of Patent: **** Jun. 8, 1999**

[54] **CHAIR**

[75] Inventors: **Stephen J. Baumann**, Oconomowoc;
Martin E. Olson Gunderson; Mark D. Dart, both of Green Bay, all of Wis.

[73] Assignee: **Krueger International, Inc.**, Green Bay, Wis.

[**] Term: **14 Years**

[21] Appl. No.: **29/067,531**

[22] Filed: **Mar. 6, 1997**

[51] **LOC (6) Cl.** **06-06**

[52] **U.S. Cl.** **D6/500; D6/366**

[58] **Field of Search** D6/334, 364, 365,
D6/366, 367, 500, 501, 502; 297/411.2,
411.24, 411.27

[56] **References Cited**

U.S. PATENT DOCUMENTS

D. 340,589	10/1993	Chu	D6/366
D. 345,060	3/1994	Duncan	D6/366
D. 349,621	8/1994	Wilson	D6/501
D. 358,064	5/1995	Larkin	D6/366
D. 362,973	10/1995	Schultz	D6/366
D. 368,380	4/1996	Olson et al.	D6/366

D. 372,595	8/1996	Schultz et al.	D6/366
D. 393,755	4/1998	Nemeth, Jr.	D6/366
D. 395,761	7/1998	Saul	D6/366
D. 397,557	9/1998	Feldberg	D6/366
D. 398,464	9/1998	Cronk	D6/500
D. 399,664	10/1998	Goodworth et al.	D6/366

Primary Examiner—Gary D. Watson
Attorney, Agent, or Firm—Andrus, Scales, Starke & Sawall

[57] **CLAIM**

The ornamental design for a chair, as shown and described.

DESCRIPTION

FIG. 1 is an isometric view of a chair incorporating our new design;
FIG. 2 is a top plan view thereof;
FIG. 3 is a bottom plan view thereof;
FIG. 4 is a front elevation view thereof;
FIG. 5 is a rear elevation view thereof;
FIG. 6 is a right side elevation view thereof; and,
FIG. 7 is a left side elevation view thereof.

The broken lines shown at the bottom edge of the chair seat represent the boundary and form no part of the claimed design. All other broken lines are for illustrative purposes only and form no part of the claimed design.

1 Claim, 4 Drawing Sheets

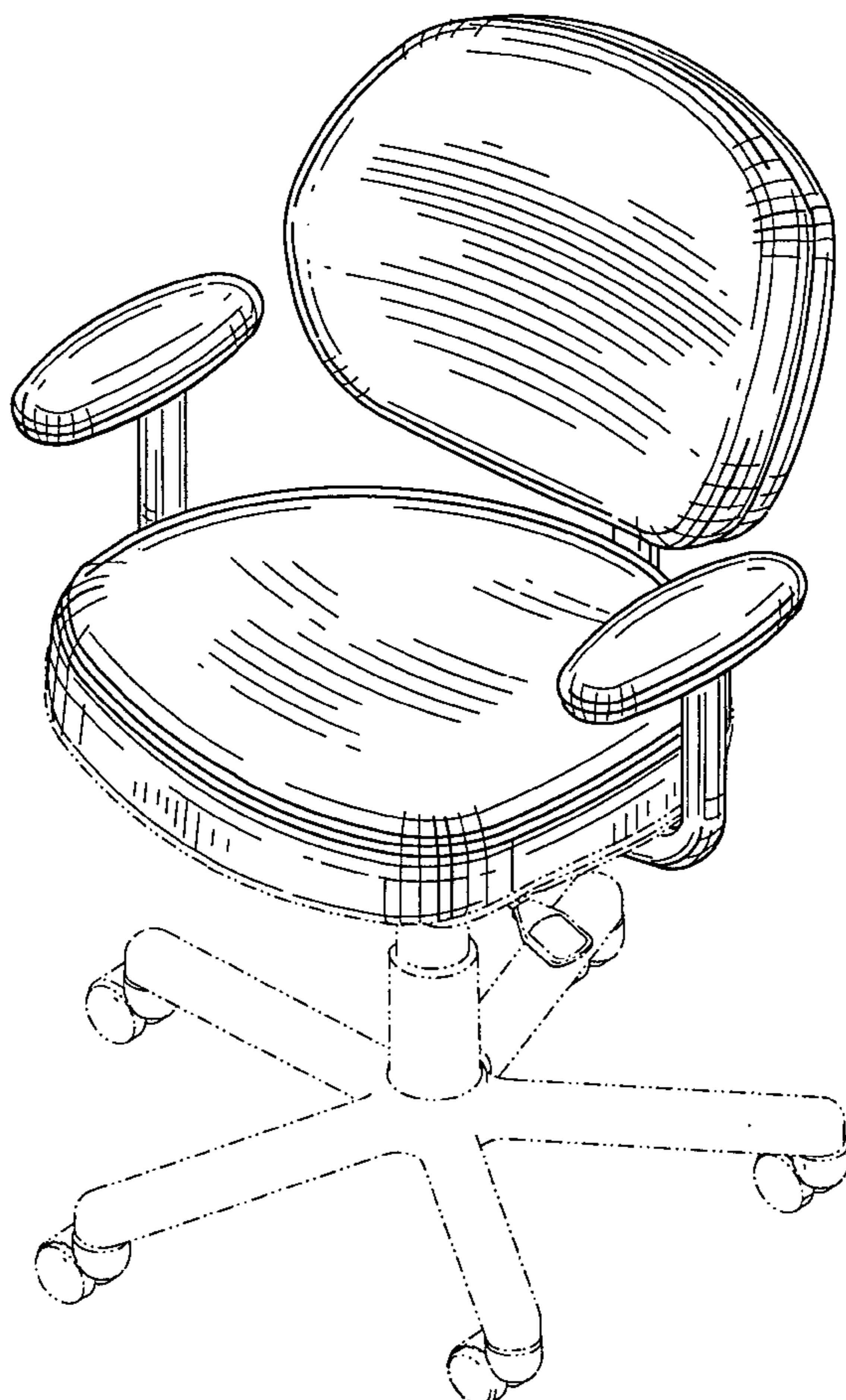


FIG. 1

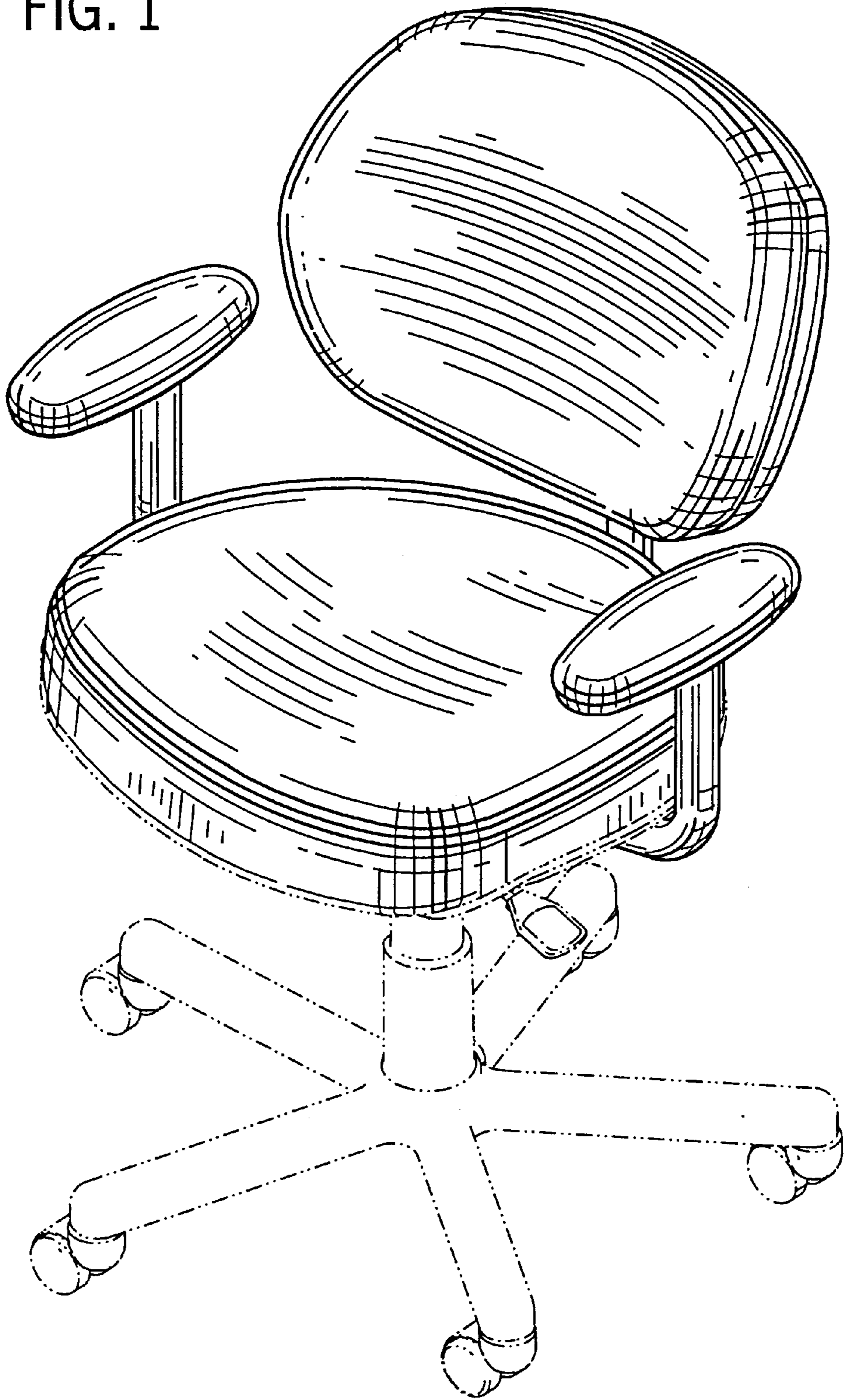


FIG. 2

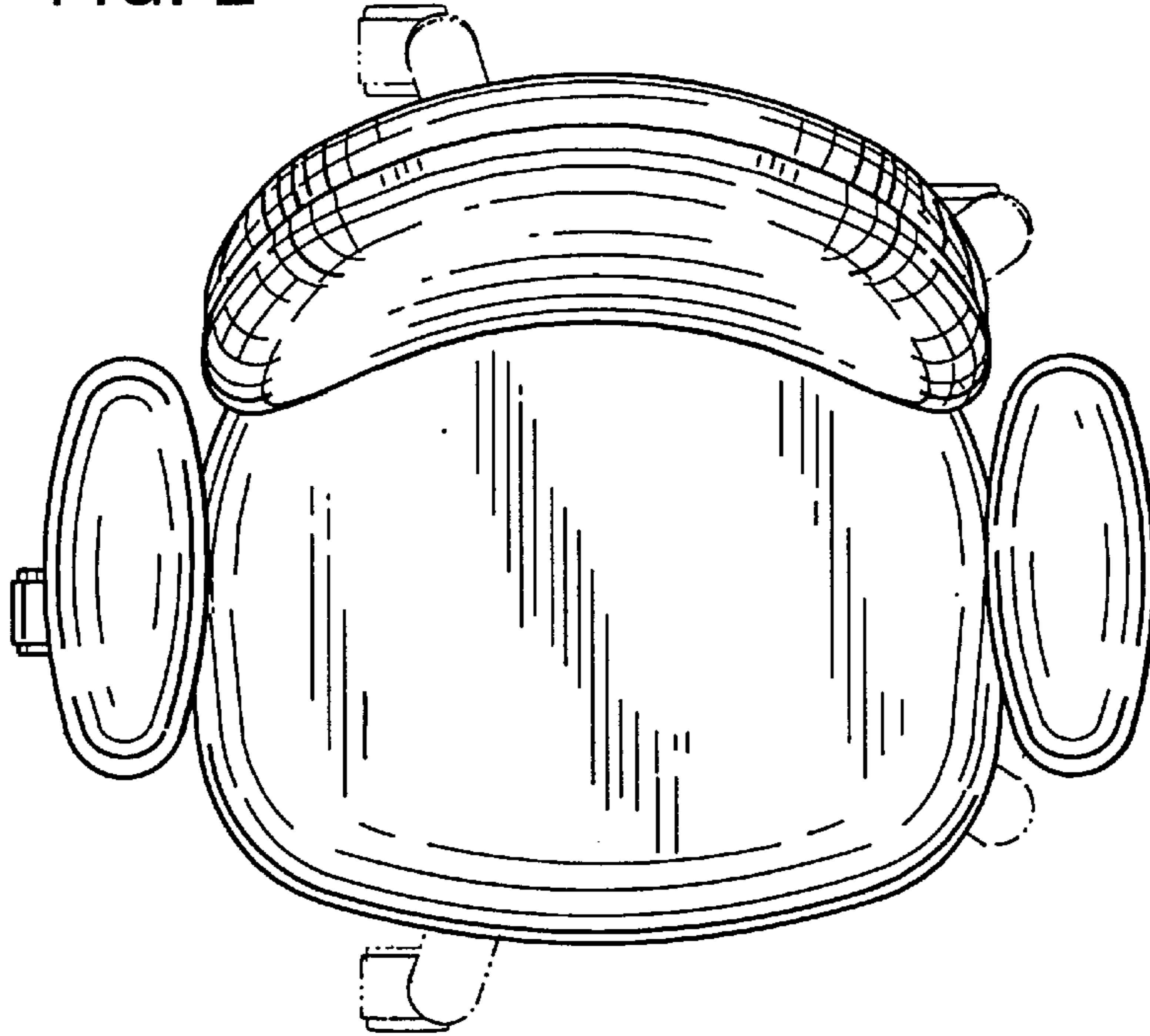


FIG. 3

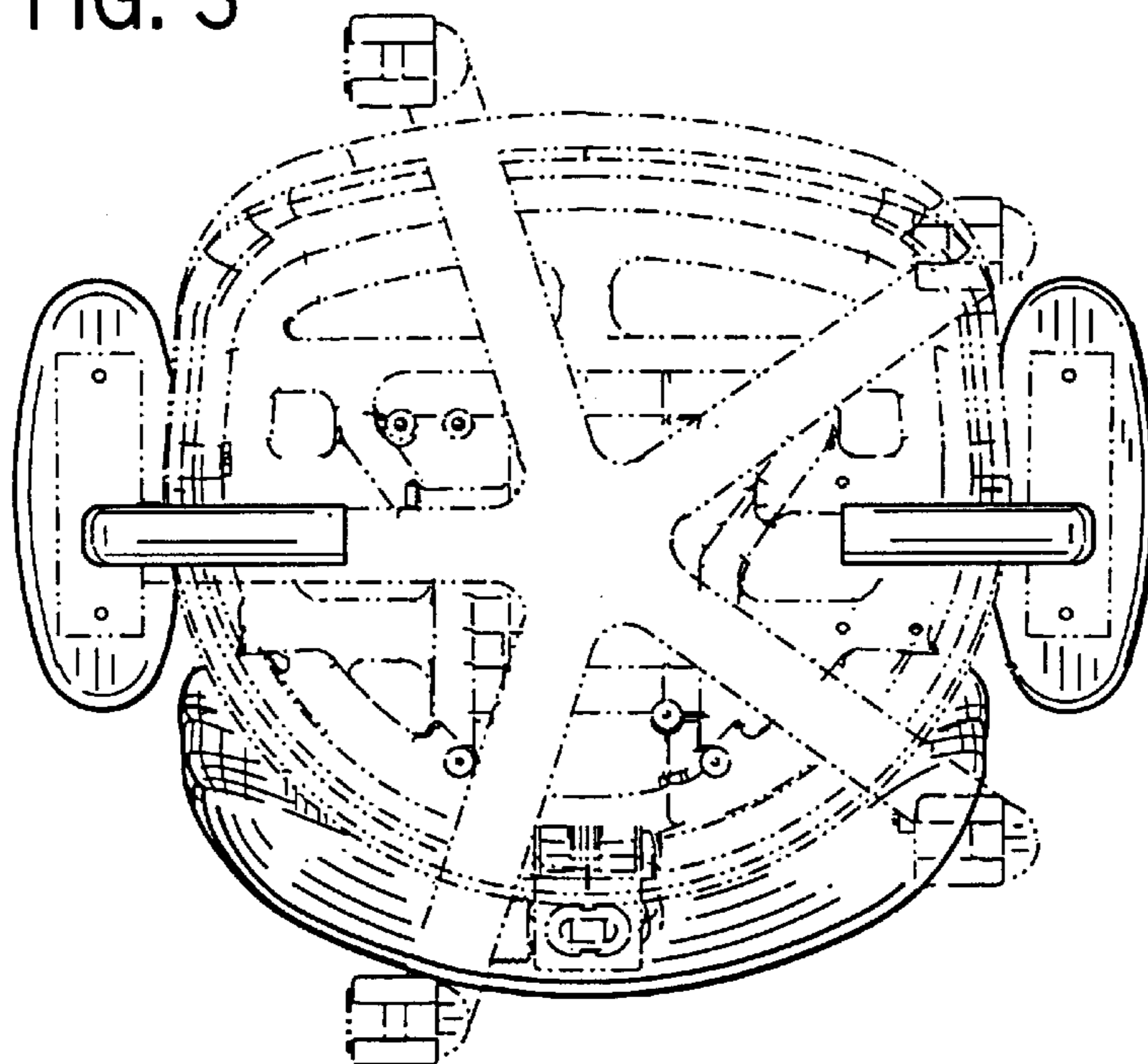


FIG. 5

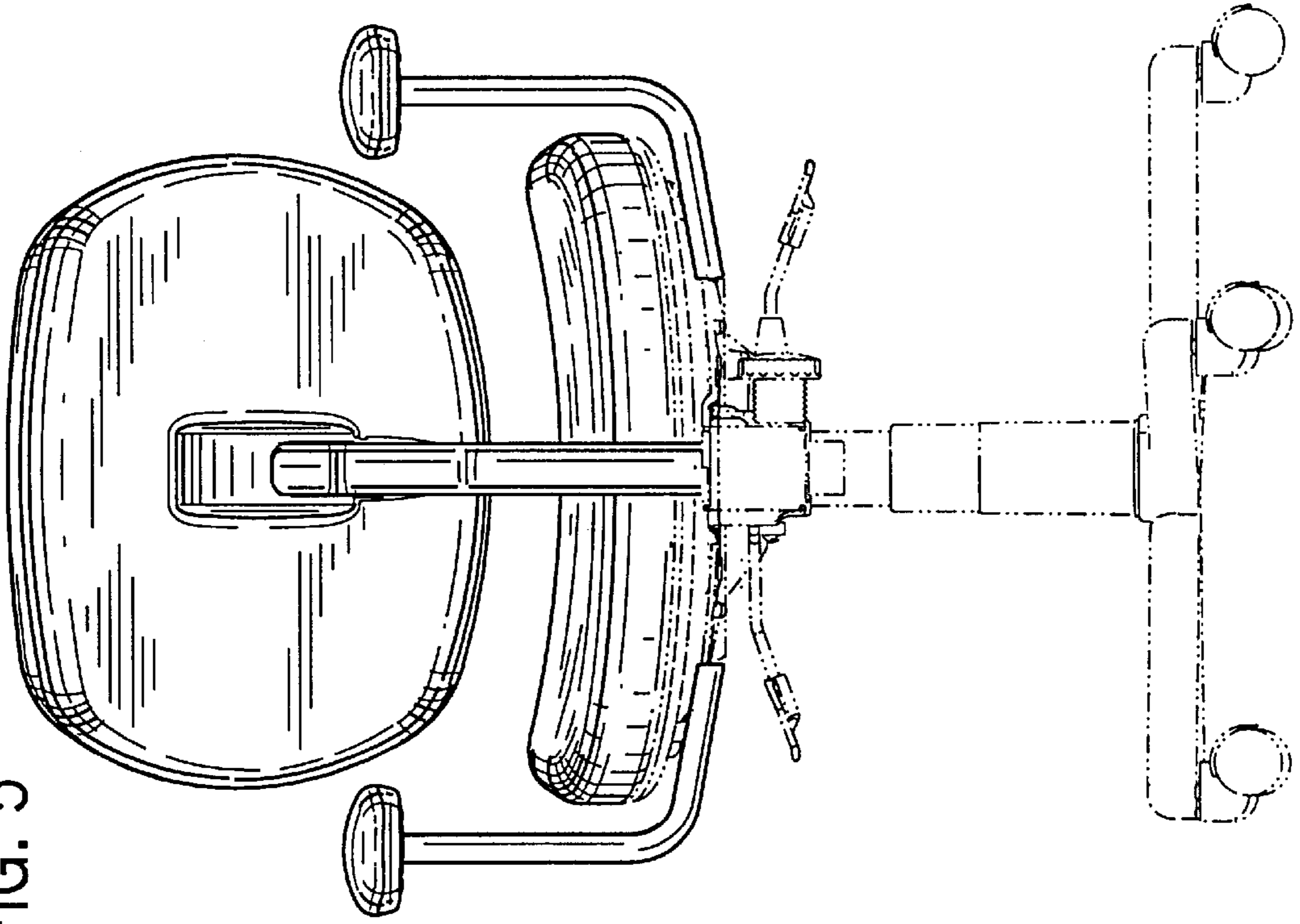


FIG. 4

