



US00D410807S

# United States Patent [19]

Fear et al.

[11] Patent Number: **Des. 410,807**

[45] Date of Patent: **\*\* Jun. 8, 1999**

## [54] PAIR OF SIDE PANELS FOR FURNITURE

[76] Inventors: **Jeffery Fear**, 4209 Berryman Ave., Los Angeles, Calif. 90066; **James Hayward**, 16303 Haas Ave., Torrance, Calif. 90504

[\*\*] Term: **14 Years**

[21] Appl. No.: **29/082,510**

[22] Filed: **Jan. 23, 1998**

[51] **LOC (6) Cl.** ..... **06-04**

[52] **U.S. Cl.** ..... **D6/492; D6/509**

[58] **Field of Search** ..... D6/509, 432, 436, D6/477-479, 437-439, 445-448, 491, 492, 494; 312/257.1, 204, 198, 238, 283; 211/135, 153, 40; 248/188, 188.1; D25/58, 138; 160/351, 135; 52/238.1, 239

## [56] References Cited

### U.S. PATENT DOCUMENTS

D. 113,373	2/1939	Bond, Jr. ....	D6/492
D. 140,351	2/1945	Raskin ....	D6/437
D. 140,542	3/1945	Schupp ....	D6/437
D. 164,333	8/1951	Schultz ....	D6/438
D. 203,194	12/1965	Klein et al. ....	D6/446
D. 272,113	1/1984	Russell et al. ....	D6/494
D. 293,746	1/1988	Sayward ....	D6/448
D. 308,775	6/1990	Diekman ....	D6/445 X
D. 360,091	7/1995	Hassel et al. ....	D6/492
D. 371,691	7/1996	O'Hare et al. ....	D6/445 X
D. 373,489	9/1996	Tabbia ....	D6/445 X
D. 393,965	5/1998	Sandy ....	D6/492
D. 394,171	5/1998	De Blaay ....	D6/446
3,393,951	7/1968	Sulentic ....	312/283
4,124,262	11/1978	Schill ....	312/238
5,730,300	3/1998	Chen ....	211/40

Primary Examiner—James Gandy  
Assistant Examiner—Linda Brooks

Attorney, Agent, or Firm—Philip Mendes da Costa; Bereskin & Parr

## [57] CLAIM

The ornamental design for a pair of side panels for furniture, as shown and described.

## DESCRIPTION

FIG. 1 is a perspective view from the front and to the left of the pair of side panels for furniture.

FIG. 2 is a front elevation view of the pair of side panels for furniture, the rear view being a mirror image.

FIG. 3 is a left side elevation view of FIG. 1, the right side being a mirror image.

FIG. 4 is a top plan view of the pair of side panels for furniture of FIG. 1.

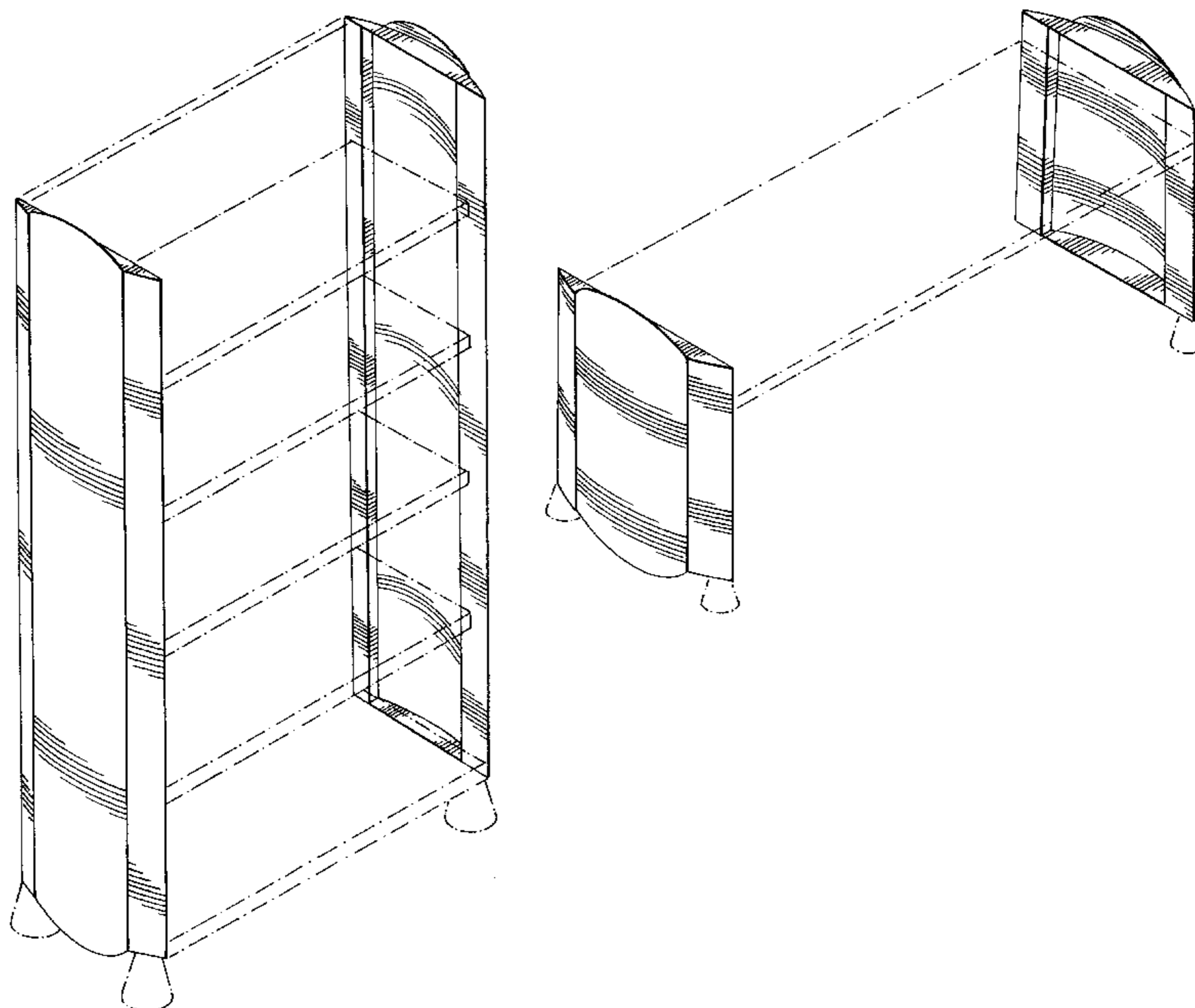
FIG. 5 is a perspective view from the front and to the left side of a second embodiment of FIG. 1, the only difference being the increased height and width of the side panels, it being understood that all the other surfaces are the same as shown in the embodiment of FIG. 1.

FIG. 6 is a perspective view from the front and to the left side of a third embodiment of FIG. 1, the only difference being the increased width of the side panels, it being understood that all the other surfaces are the same as shown in the embodiment of FIG. 1; and,

FIG. 7 is a perspective view from the front and to the left side of a fourth embodiment of FIG. 1, the only difference being the decreased height and increased width of the side panels, it being understood that all the other surfaces are the same as shown in the embodiment of FIG. 1.

The inner surface of the left panel in FIGS. 1, 2, 3, 4, 5, 6 and 7 is identical to the inner surface of the right panel shown in FIGS. 1, 5, 6 and 7. The broken line environmental structure in FIGS. 1, 2, 3, 4, 5, 6 and 7 is for illustrative purposes only and forms no part of the claimed design.

1 Claim, 5 Drawing Sheets



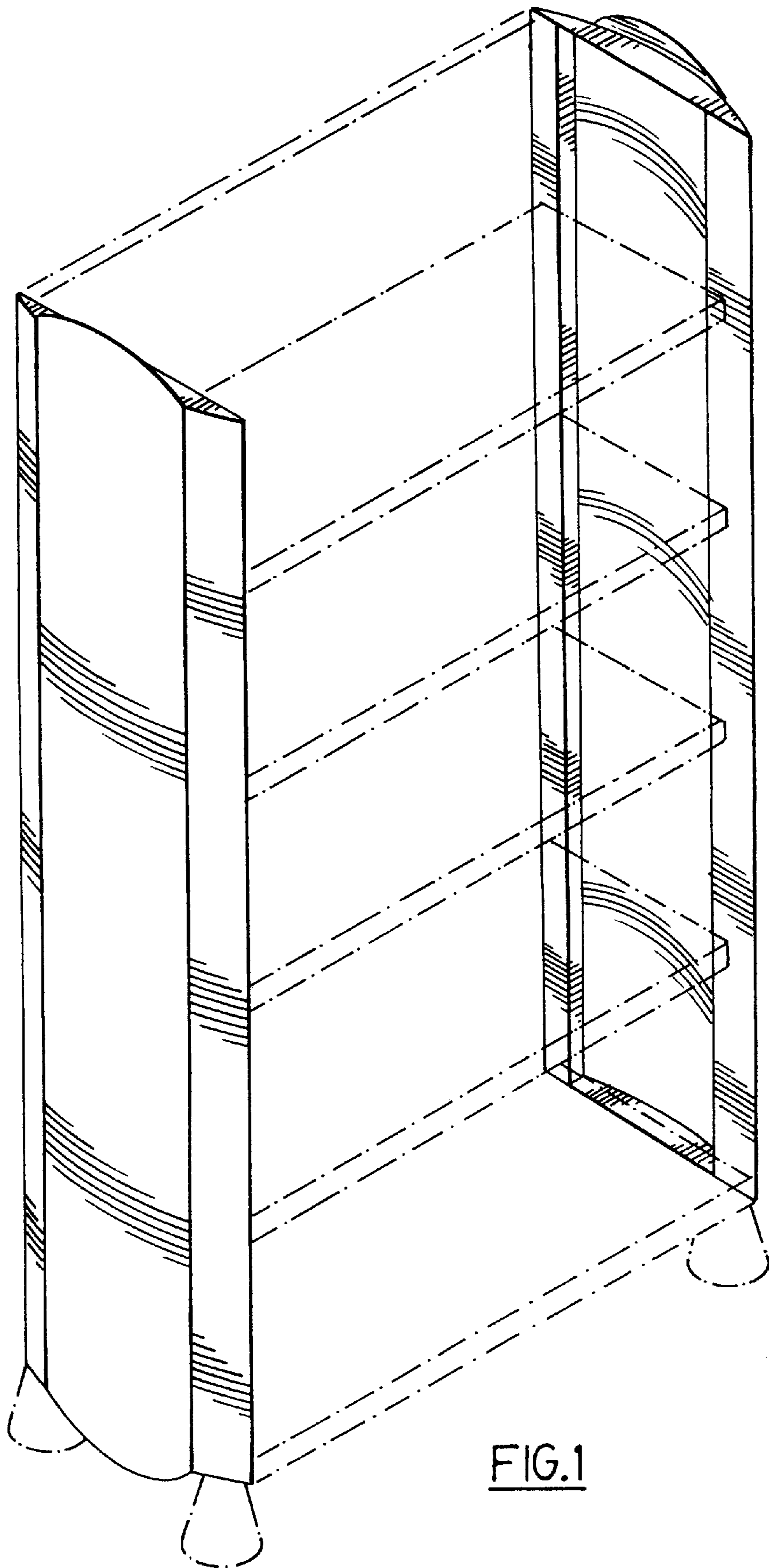


FIG.1



FIG. 4

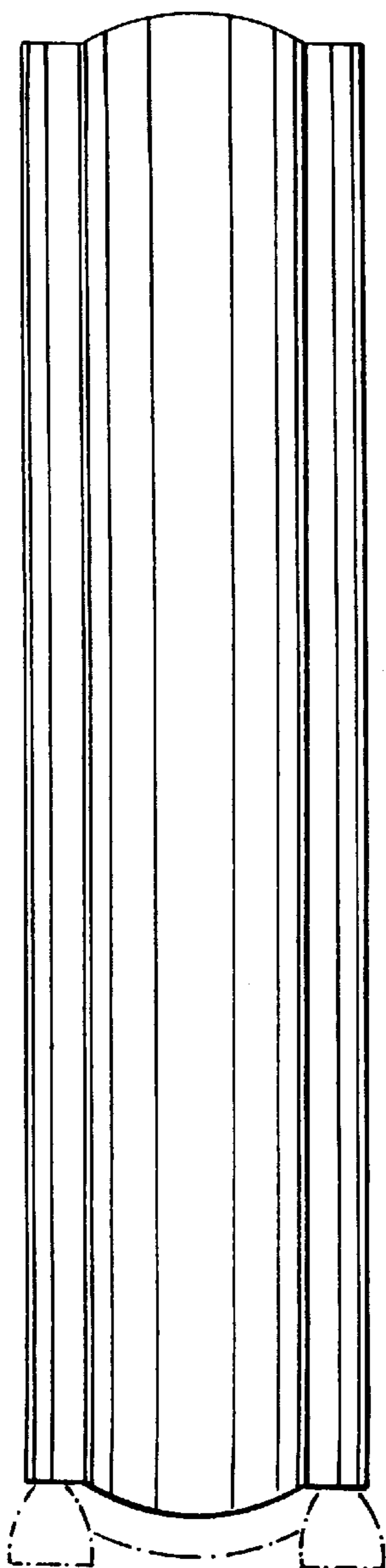


FIG. 3

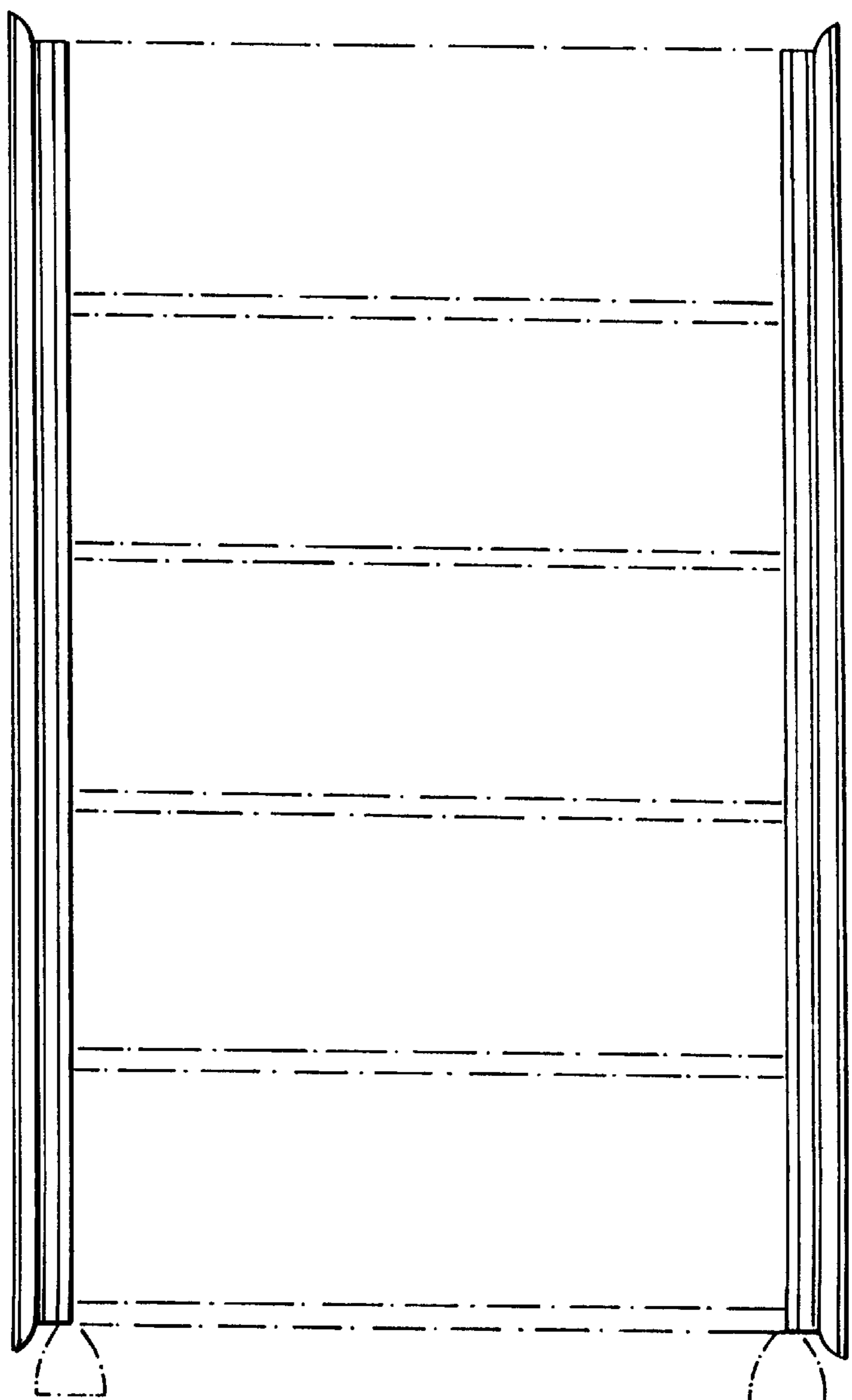


FIG. 2

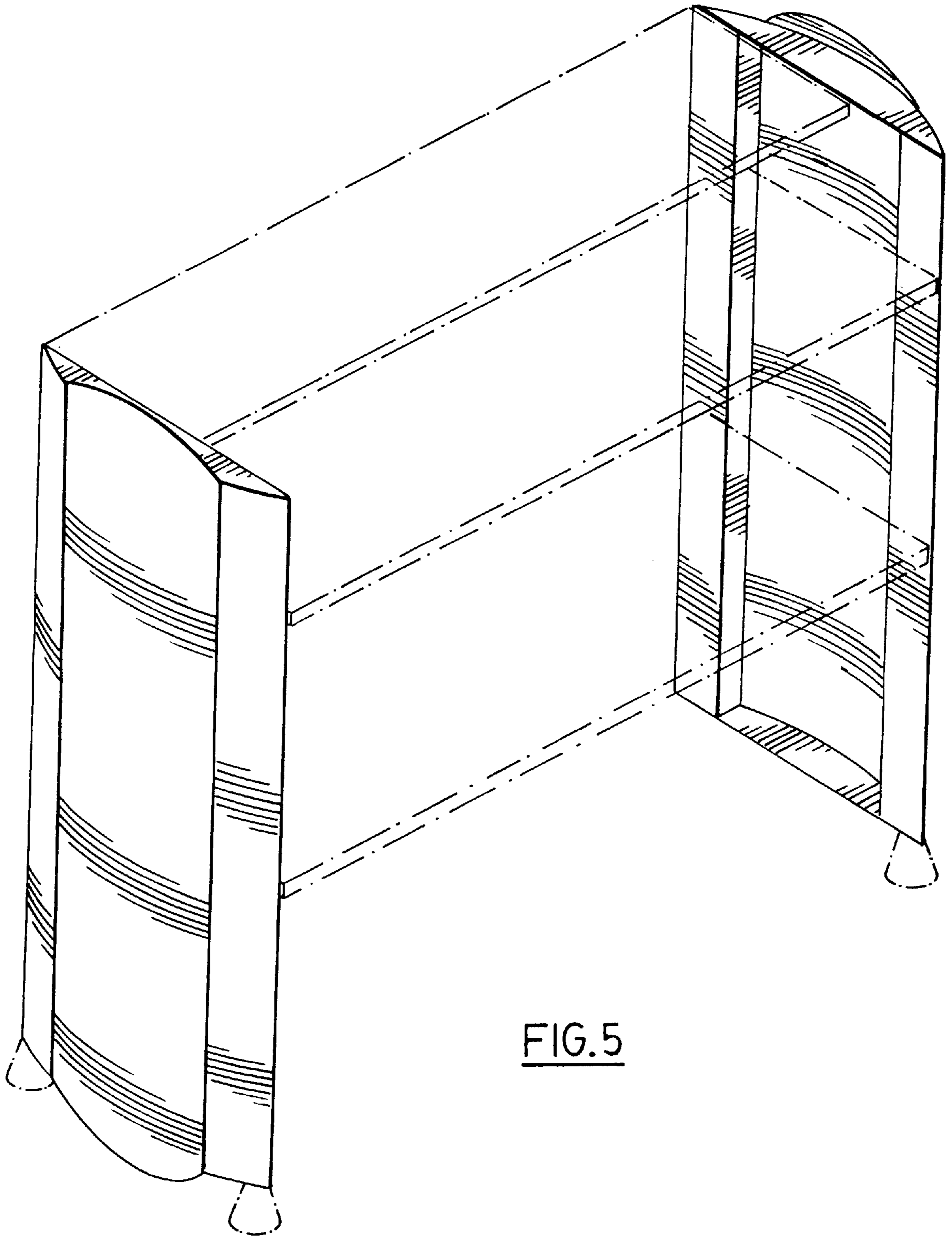


FIG. 5

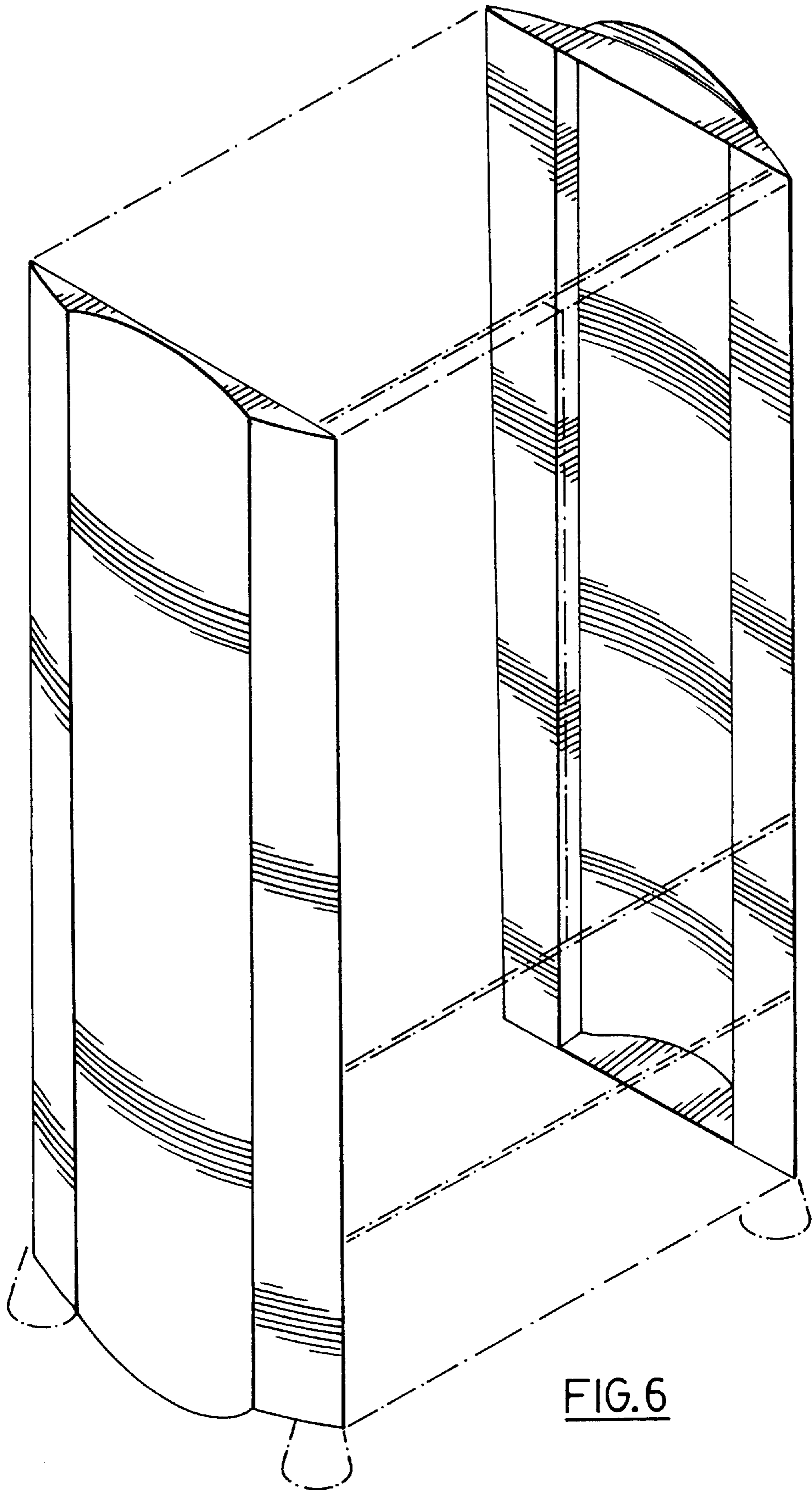


FIG. 6

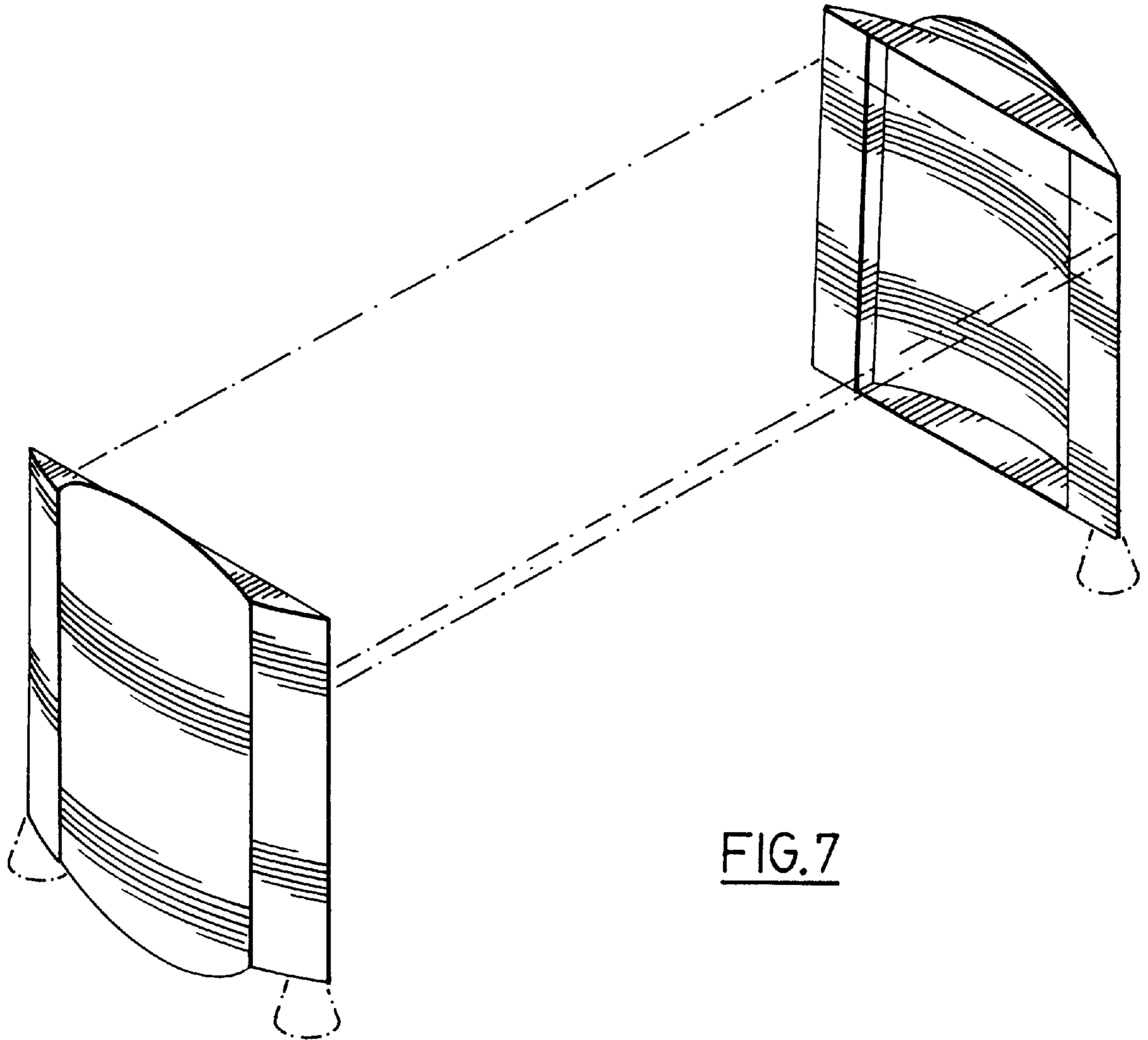


FIG. 7