



US00D410806S

United States Patent [19]
Olson et al.

[11] **Patent Number: Des. 410,806**
[45] **Date of Patent: ** Jun. 8, 1999**

[54] **TABLE**

[75] Inventors: **Ogden R. Olson**, Muscatine, Iowa;
Mark Wubben, Sulfur Springs, Tex.;
Osama Abusada, Iowa City; **Clayton C. Schmidt**, Wilton, both of Iowa

[73] Assignee: **Hon Technology Inc.**, Muscatine, Iowa

[**] Term: **14 Years**

[21] Appl. No.: **29/071,506**

[22] Filed: **May 30, 1997**

[51] **LOC (6) Cl.** **06-03**

[52] **U.S. Cl.** **D6/484; D6/487**

[58] **Field of Search** D6/480-489, 495-497,
D6/499, 429, 430, 422, 423; 108/152, 153.1,
156, 157.1, 161; 248/188, 188.1, 188.8

[56] **References Cited**

U.S. PATENT DOCUMENTS

D. 312,928 12/1990 Scheffers D6/429

D. 330,302 10/1992 Heidmann D6/495
D. 331,339 12/1992 Keong D6/474
D. 352,845 11/1994 Hellwig et al. D6/422
D. 360,324 7/1995 Vogt D6/484

OTHER PUBLICATIONS

Jacobs Gardner 1988, p. 82, table.

Primary Examiner—Janice E. Seeger

Attorney, Agent, or Firm—Jones, Day, Reavis & Pogue

[57] **CLAIM**

The ornamental design for a table, as shown and described.

DESCRIPTION

FIG. 1 is a left front perspective view of a table showing my new design;

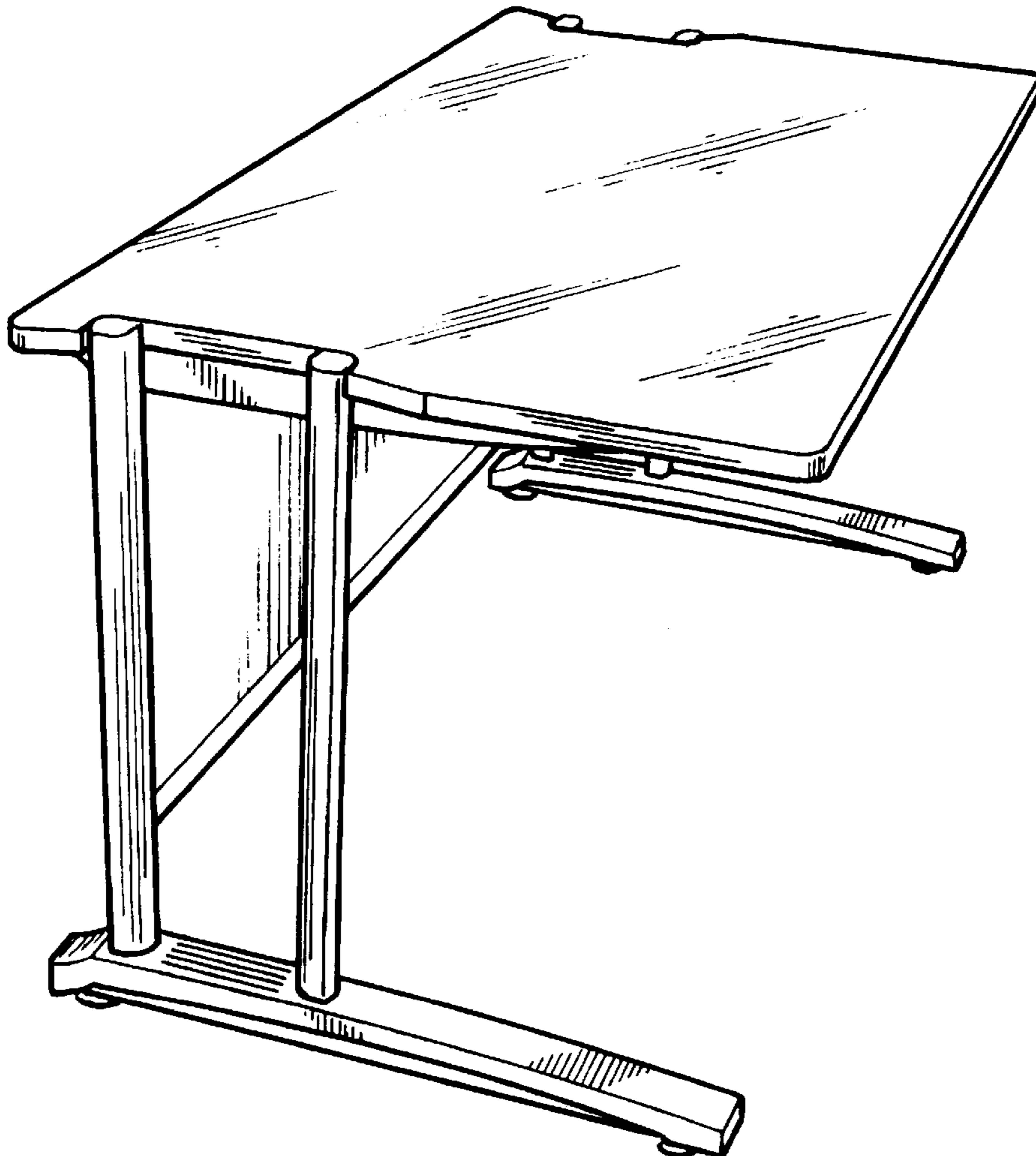
FIG. 2 is a right rear perspective view thereof;

FIG. 3 is a top plan view thereof;

FIG. 4 is a front elevational view thereof; and,

FIG. 5 is a right side elevational view, the opposite side view being the mirror image thereof.

1 Claim, 5 Drawing Sheets



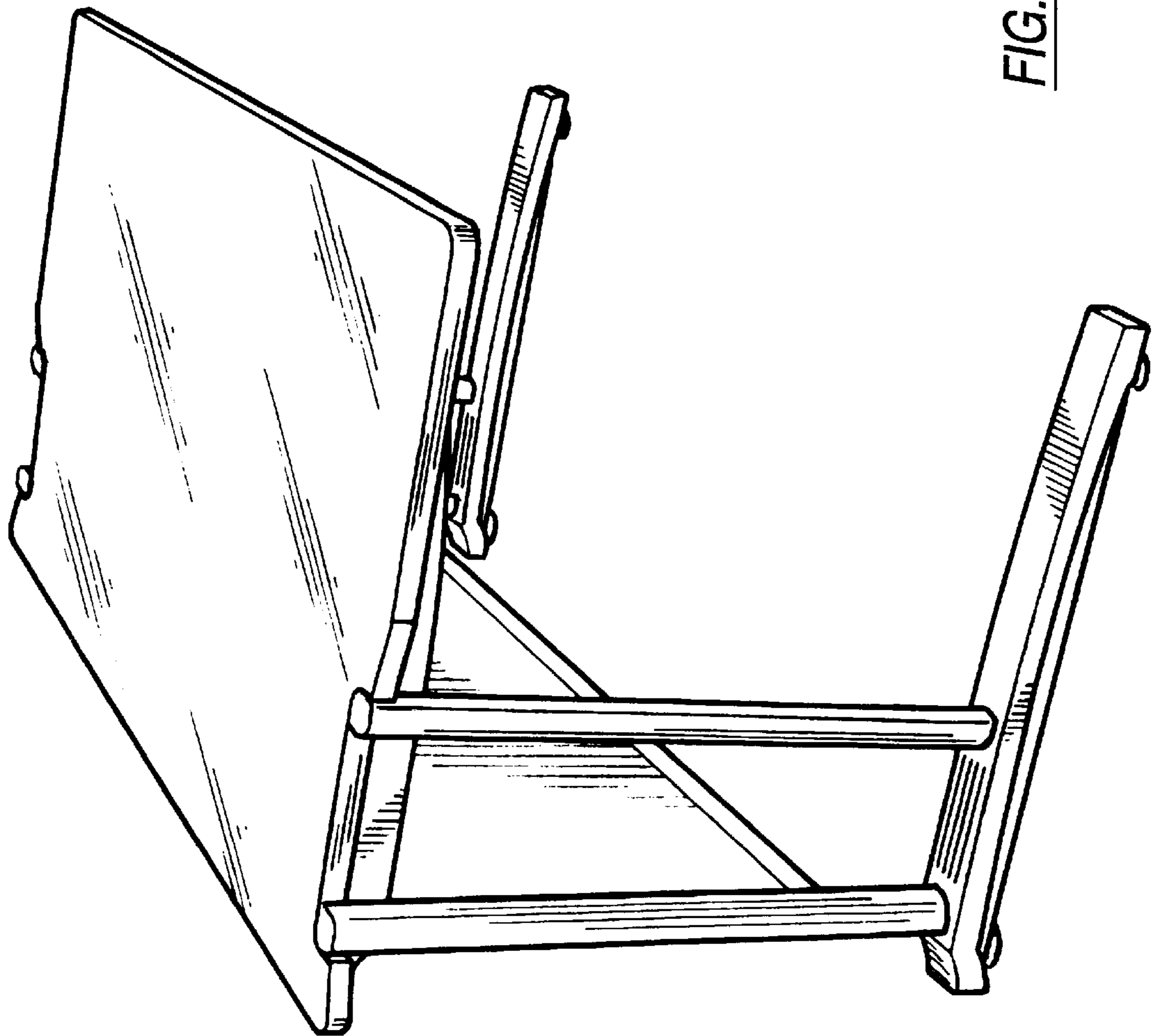


FIG. 1

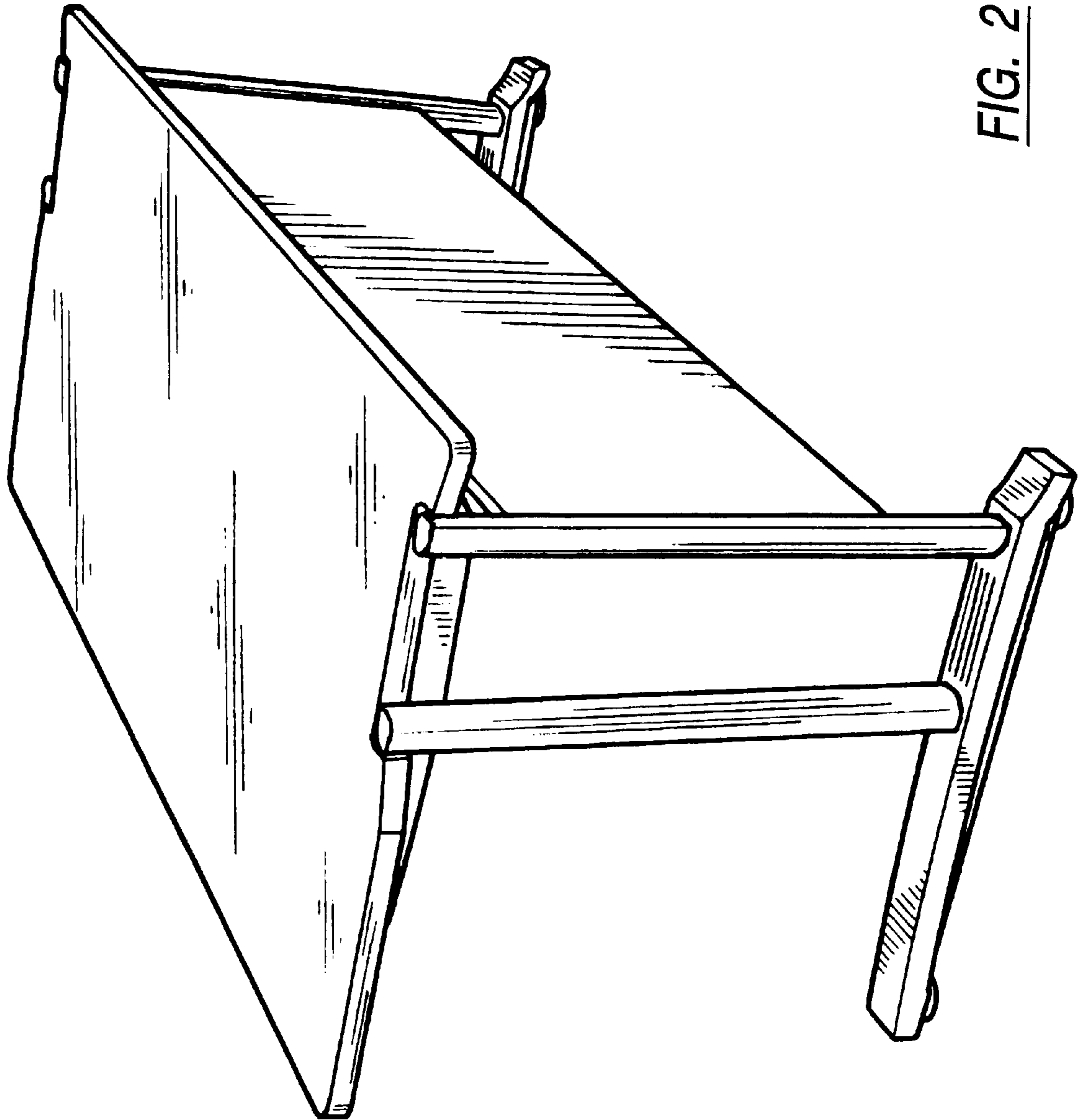


FIG. 2

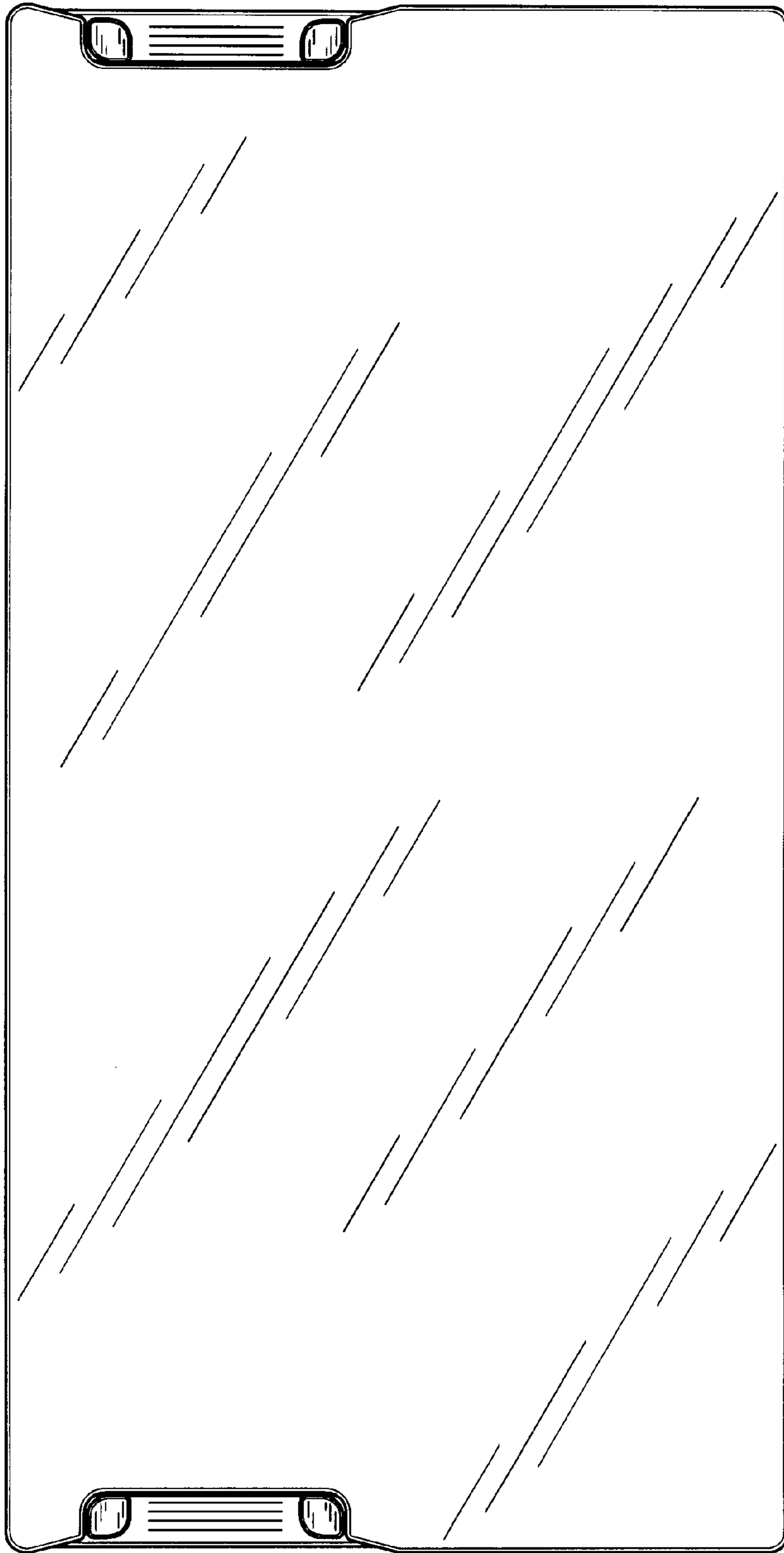


FIG. 3

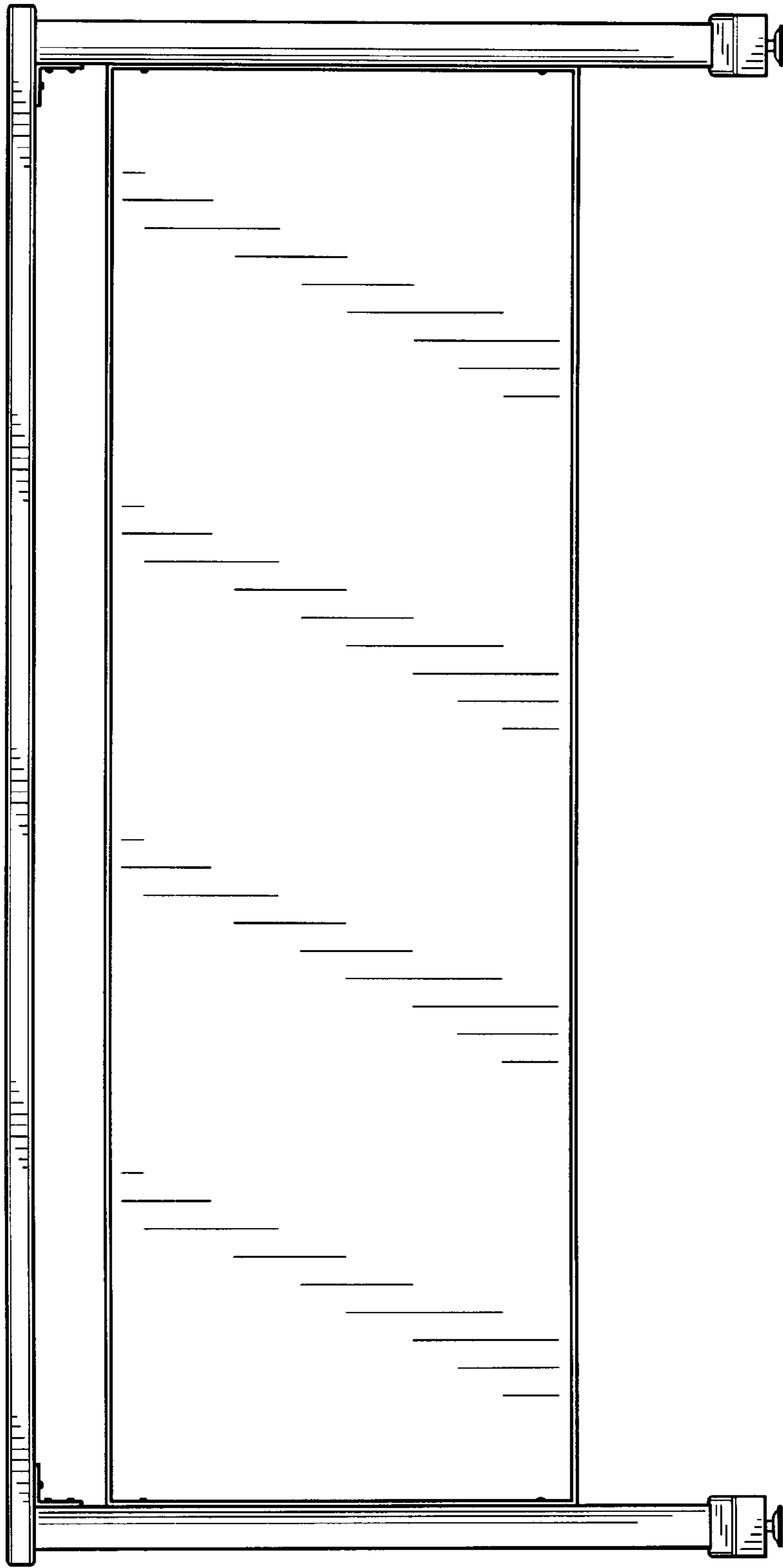


FIG. 4

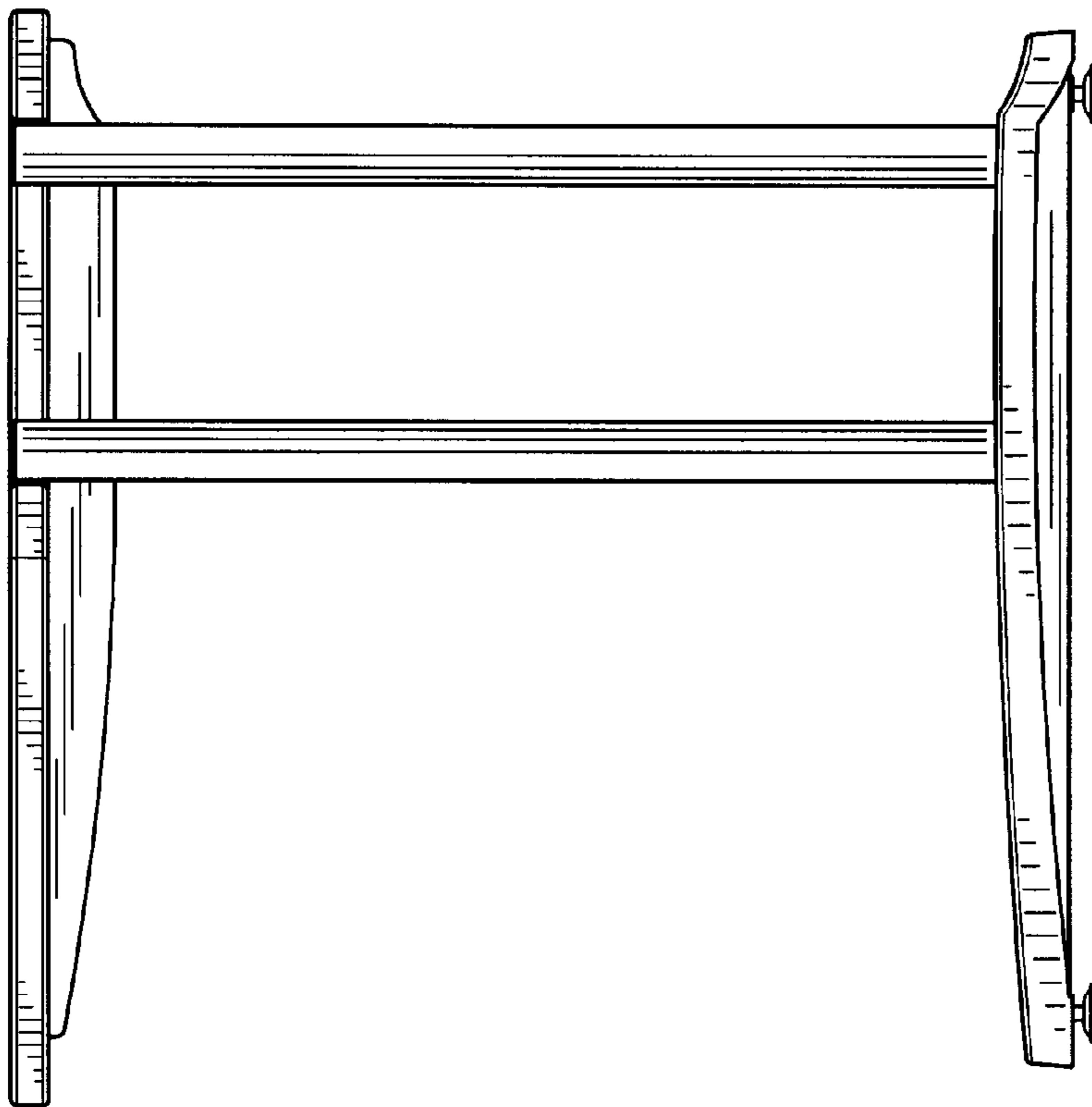


FIG. 5