



US00D410805S

# United States Patent [19]

[11] Patent Number: **Des. 410,805**

Ludviksson

[45] Date of Patent: **\*\* Jun. 8, 1999**

[54] TROUSER DISPLAY UNIT

D. 320,898 10/1991 Dyess ..... D6/411  
910,659 1/1909 Ford ..... 211/85.26

[76] Inventor: **Sigurdur John Ludviksson**, Einarsnei  
33, 101 Reykjavik, Iceland

*Primary Examiner*—Doris V. Coles  
*Assistant Examiner*—Linda Brooks  
*Attorney, Agent, or Firm*—Fish & Richardson P.C.

[\*\*] Term: **14 Years**

[21] Appl. No.: **29/083,925**

### [57] CLAIM

[22] Filed: **Feb. 18, 1998**

The ornamental design for a trouser display unit, as shown and described.

[51] LOC (6) Cl. .... **06-04**

### DESCRIPTION

[52] U.S. Cl. .... **D6/464**

[58] Field of Search ..... D6/411, 464, 465,  
D6/462, 474; 211/85, 3, 34, 37, 74, 85.26,  
181.1; D7/704; 248/175, 176.1, 121, 127,  
153

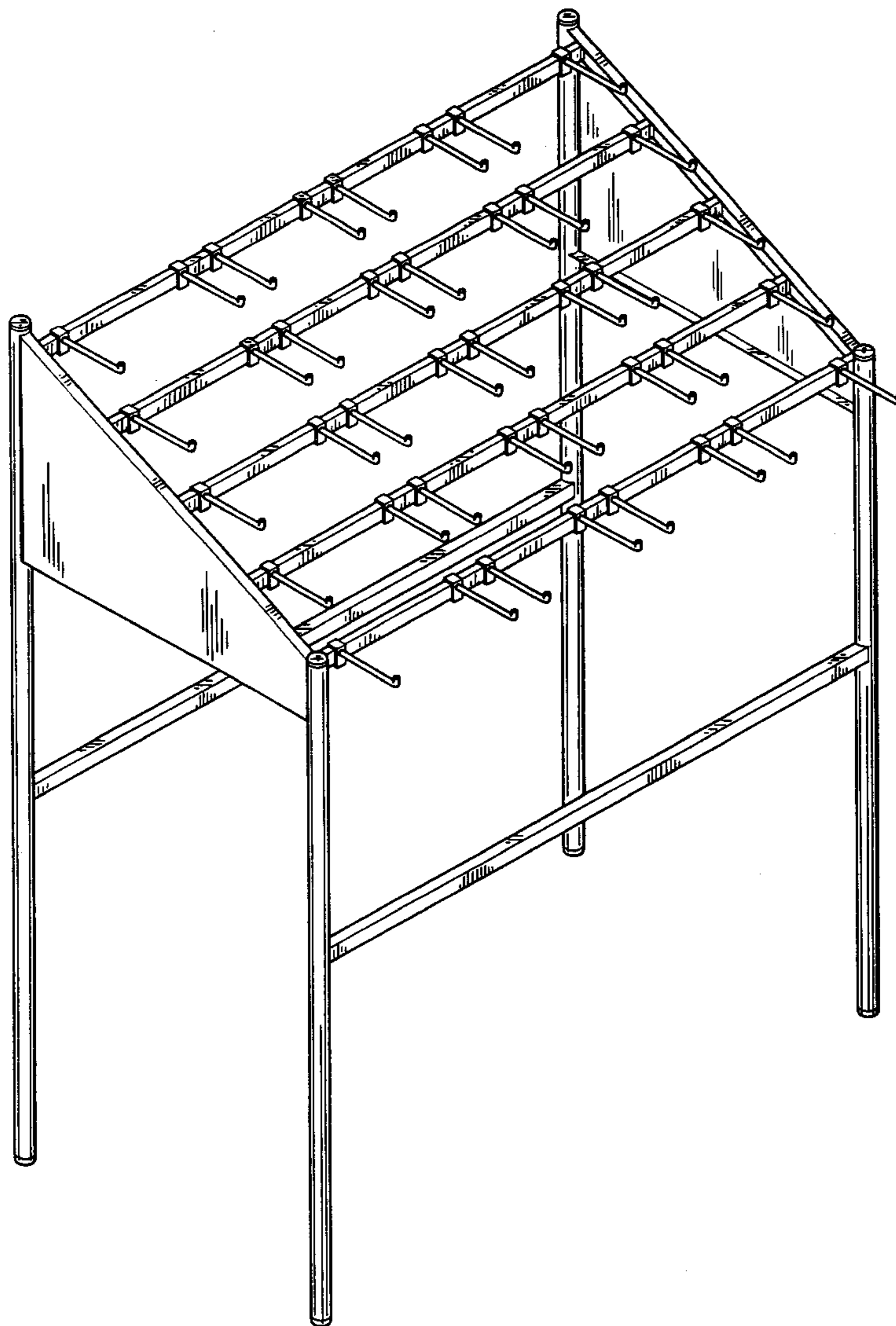
FIG. 1 is a perspective view, taken from the left and from above, of a trouser display unit showing my new design; FIG. 2 is a front elevation view thereof; FIG. 3 is a rear elevational view thereof; FIG. 4 is a top plan view thereof; FIG. 5 is a bottom plan view thereof; FIG. 6 is a right side elevational view thereof; and, FIG. 7 is a left side elevational view thereof.

### [56] References Cited

#### U.S. PATENT DOCUMENTS

D. 169,649 5/1953 Zel et al. .... D6/464  
D. 257,987 1/1981 Schoenig ..... D6/464  
D. 314,286 2/1991 Glassenberg ..... D6/411

**1 Claim, 4 Drawing Sheets**



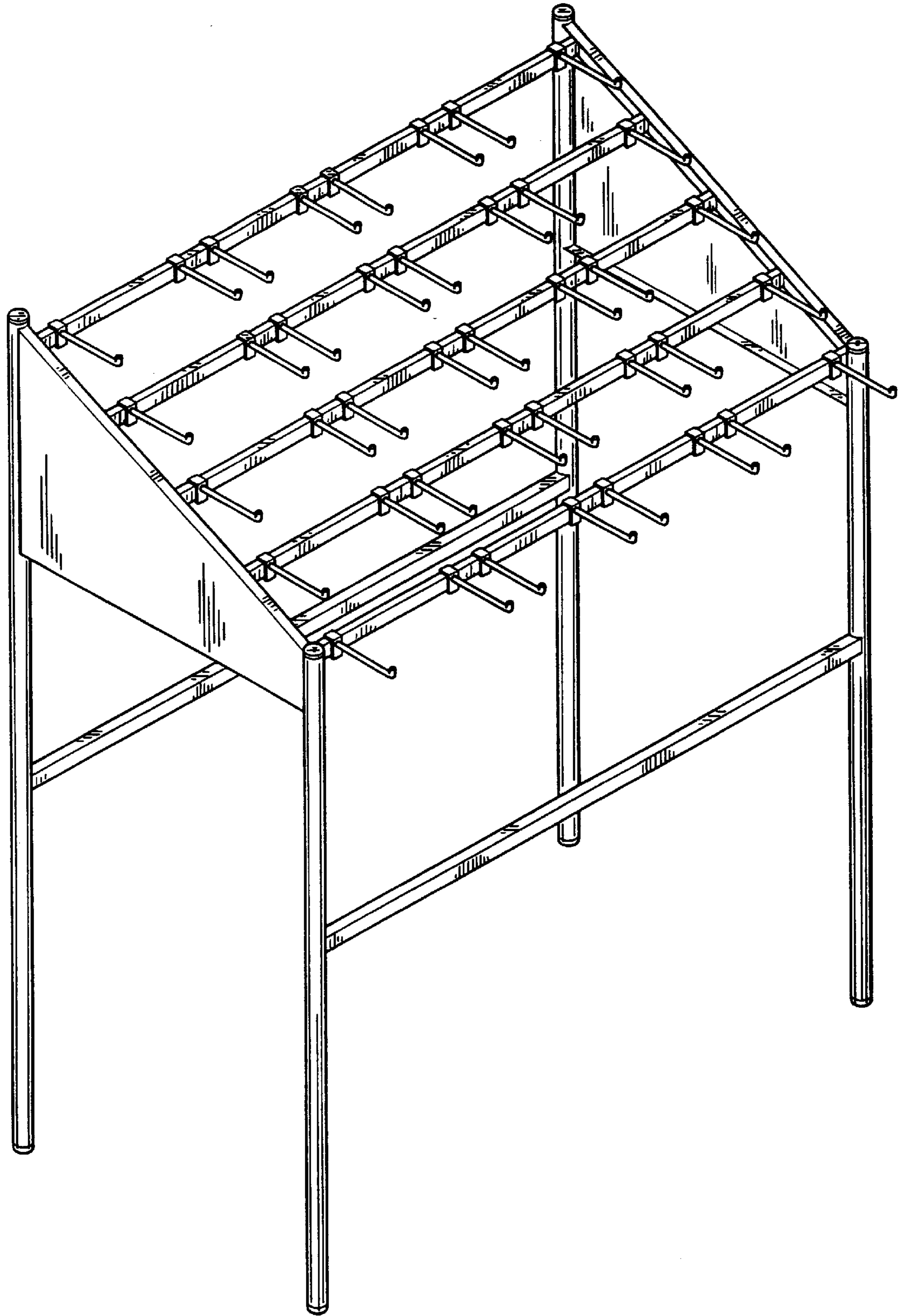


FIG. 1

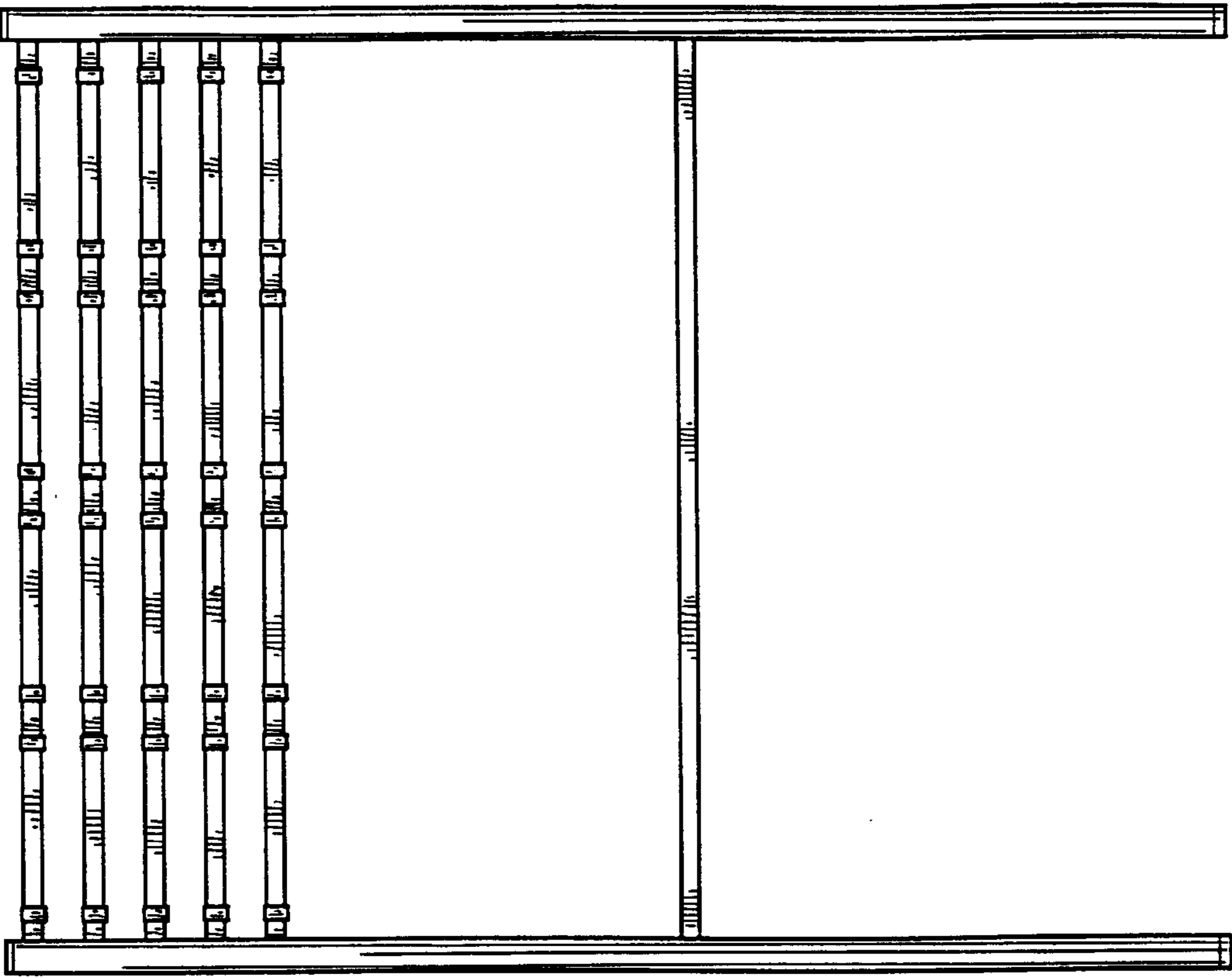


FIG. 3

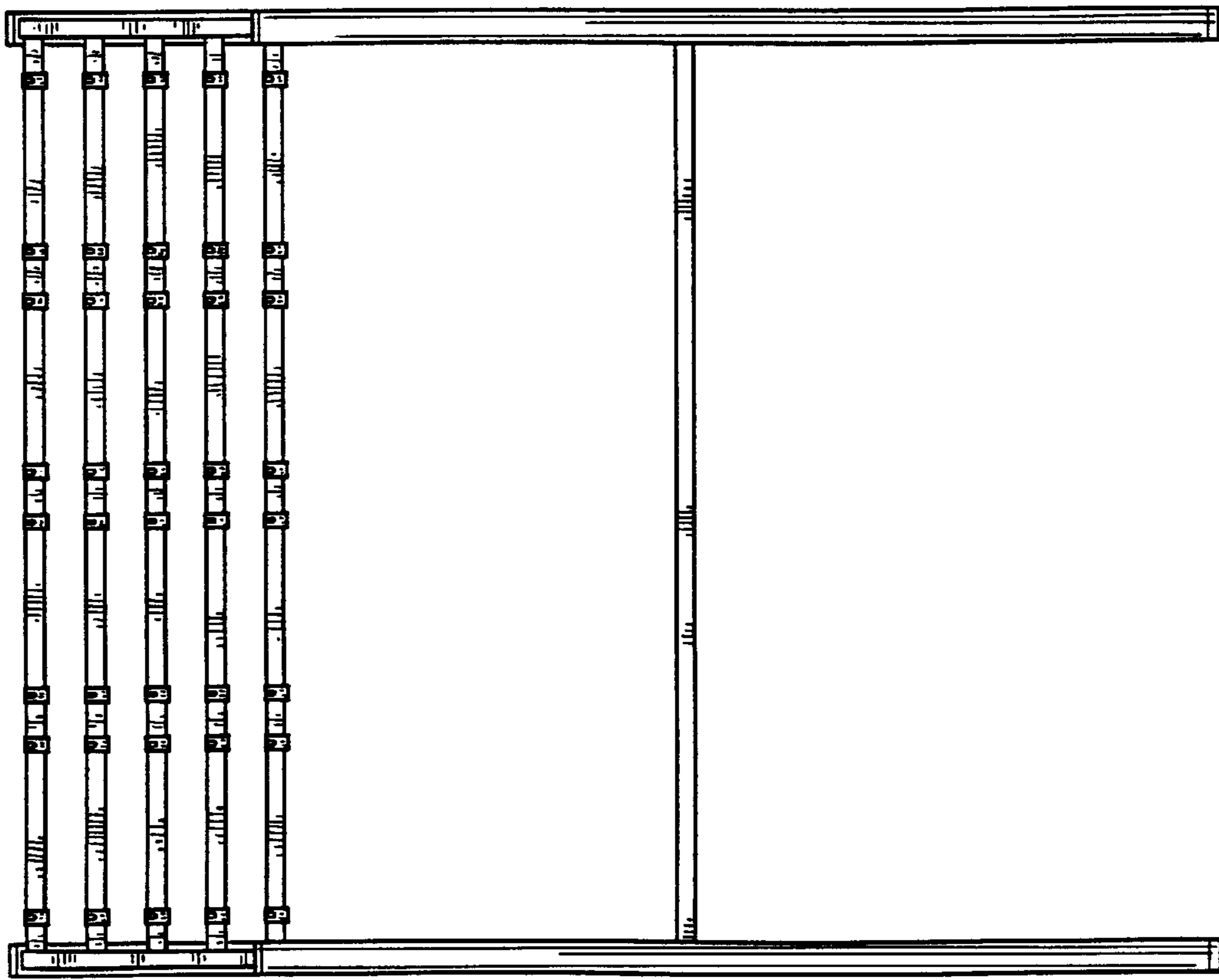
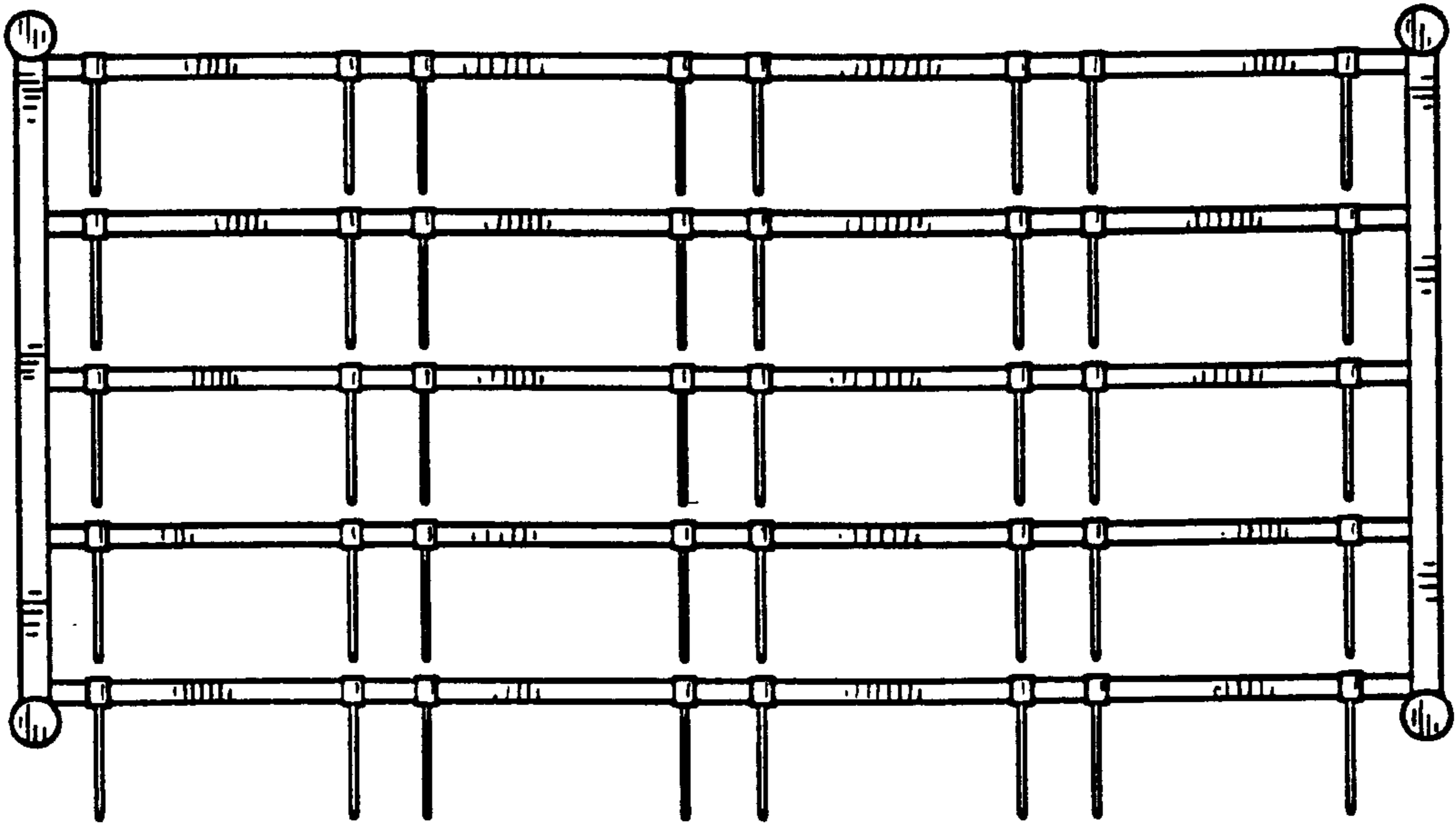
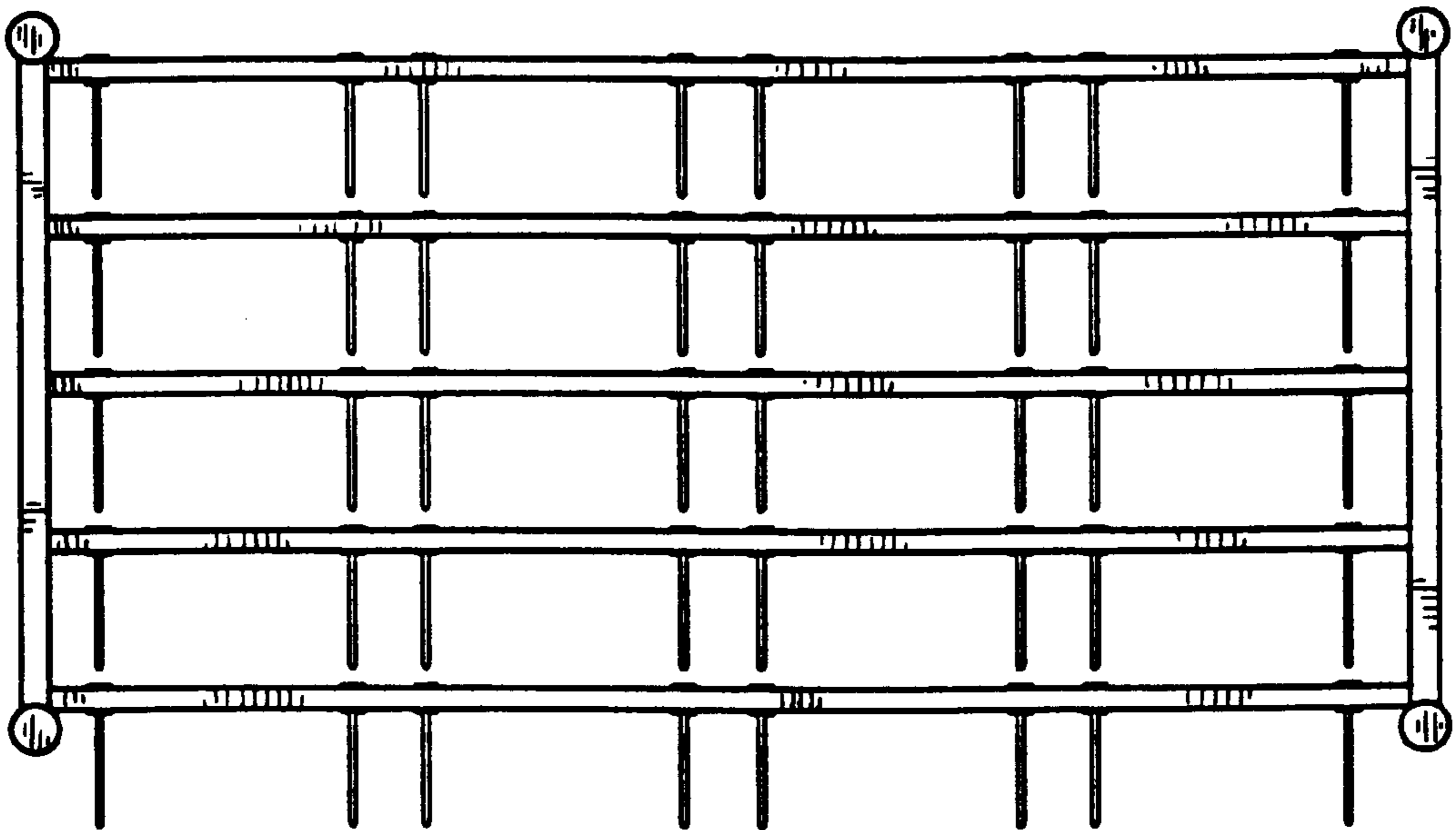


FIG. 2



**FIG. 4**



**FIG. 5**

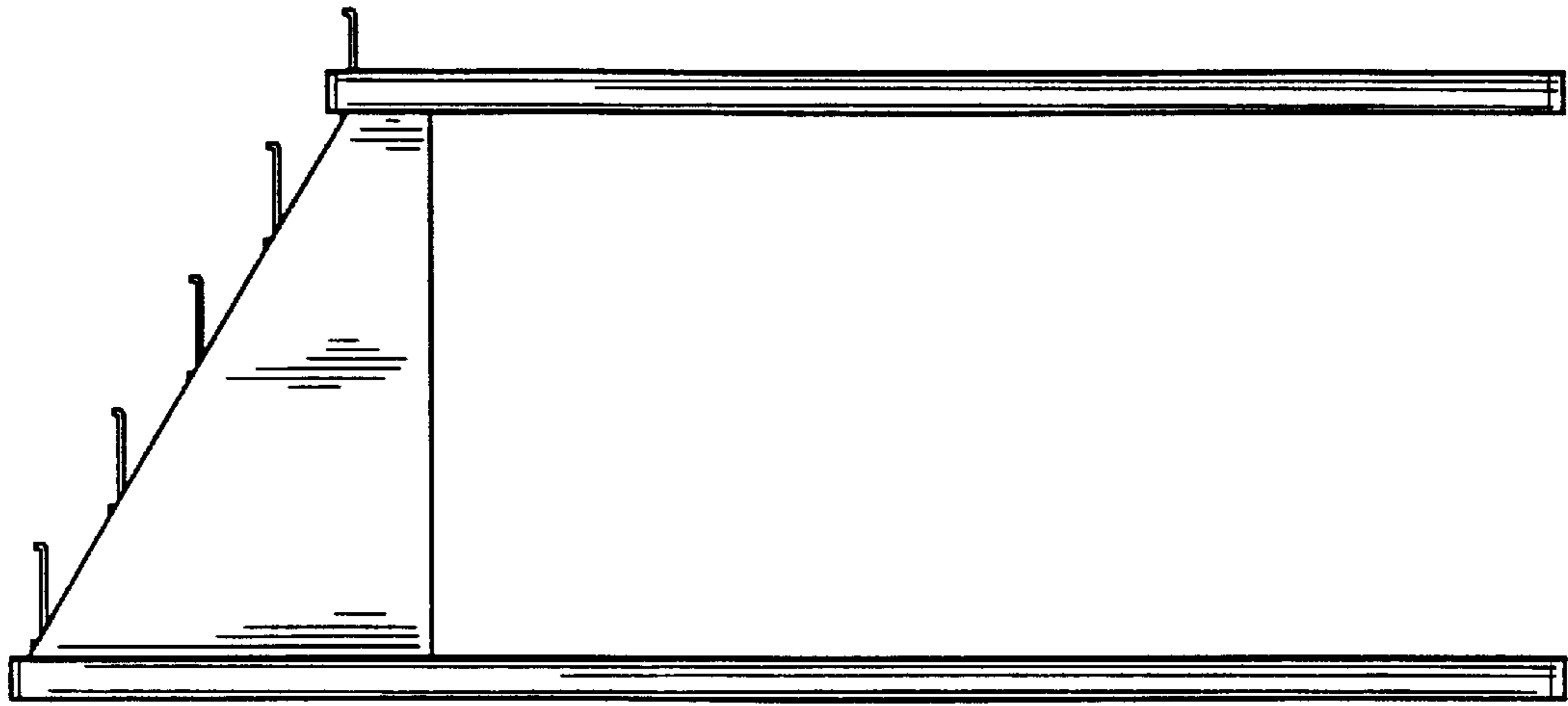


FIG. 7

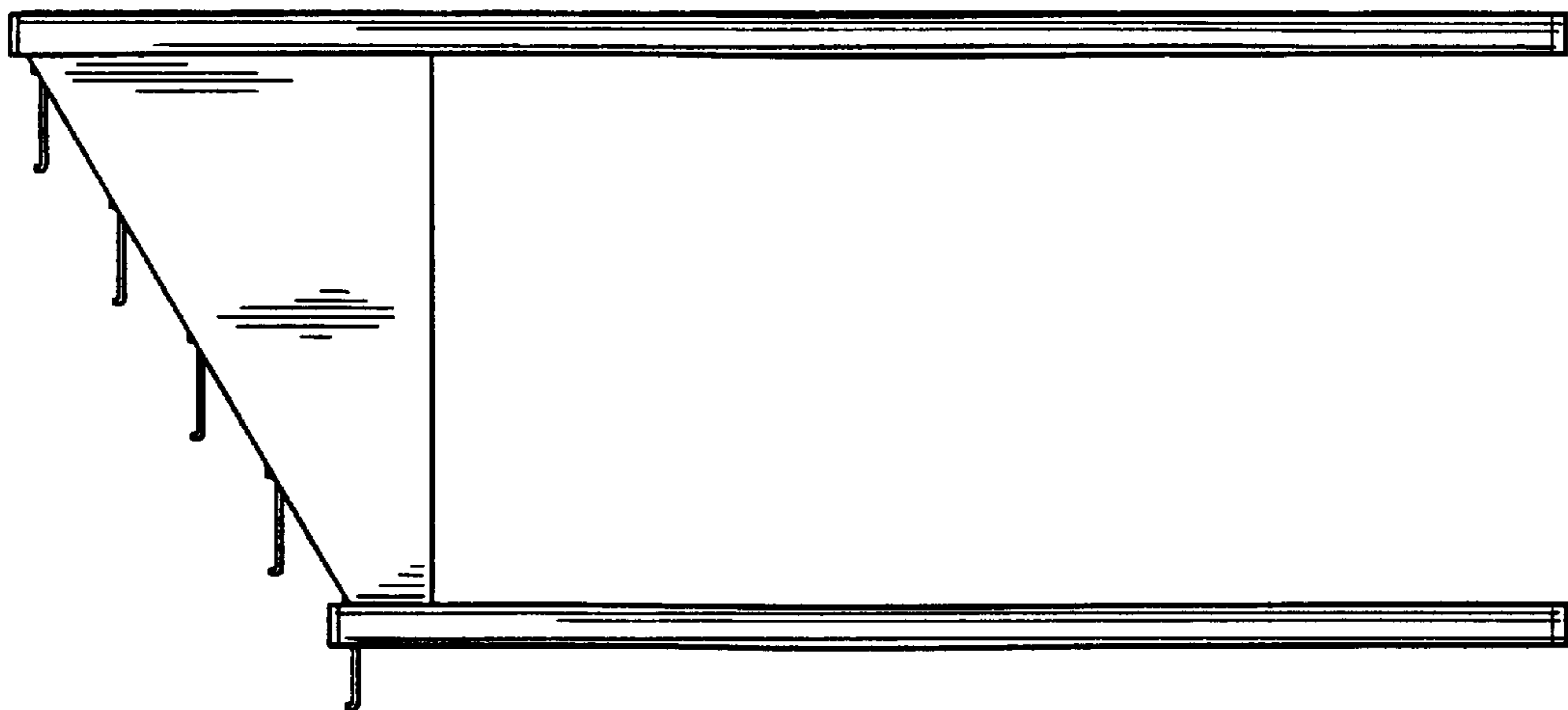


FIG. 6