



US00D410804S

# United States Patent [19] Murray

[11] **Patent Number: Des. 410,804**  
[45] **Date of Patent: \*\* Jun. 8, 1999**

[54] **COAT RACK**

4,429,861 2/1984 Range .  
4,889,246 12/1989 Lee ..... 211/163

[76] Inventor: **Joseph E. Murray**, 21 Arlington St.,  
Auburn, Mass. 01501

*Primary Examiner*—Doris V. Coles  
*Assistant Examiner*—Linda Brooks  
*Attorney, Agent, or Firm*—Blodgett & Blodgett, P.C.

[\*\*] Term: **14 Years**

[21] Appl. No.: **29/095,062**

[57] **CLAIM**

[22] Filed: **Oct. 15, 1998**

The ornamental design for a coat rack, as shown and described.

[51] **LOC (6) Cl.** ..... **06-04**

**DESCRIPTION**

[52] **U.S. Cl.** ..... **D6/455; D6/411**

[58] **Field of Search** ..... D6/462, 455, 458,  
D6/429; 211/33, 85.3, 205, 60.1, 163, 194;  
248/121, 146, 176.1, 163.1, 165, 157, 158,  
161, 405

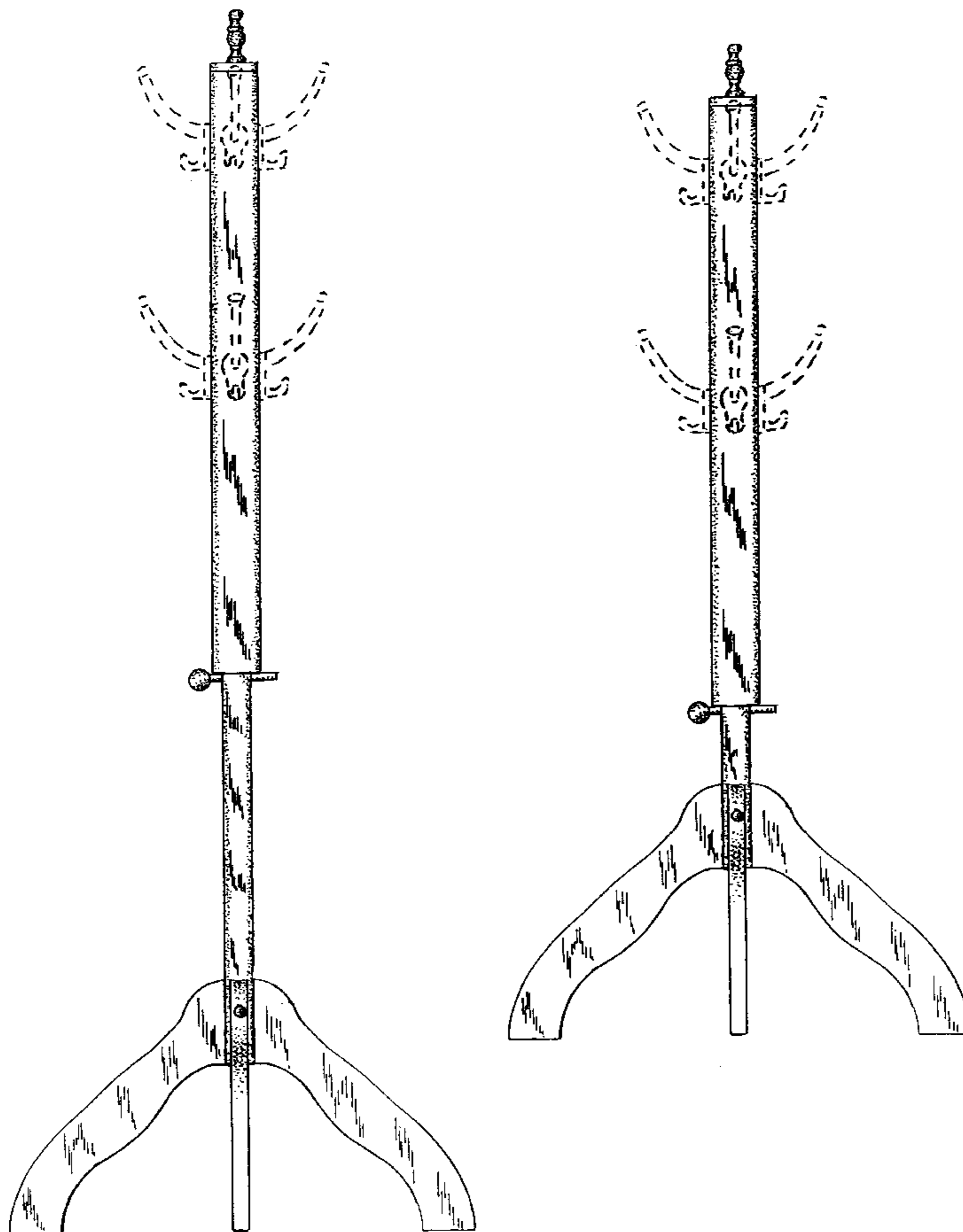
FIG. 1 is a top plan view of a coat rack showing my new design;  
FIG. 2 is a bottom plan view thereof;  
FIG. 3 is a front elevational view thereof on a reduced scale showing the rack in its fully extended state;  
FIG. 4 is a rear elevational view of FIG. 3;  
FIG. 5 is a right side elevational view of FIG. 3;  
FIG. 6 is a left side elevational view of FIG. 3;  
FIG. 7 is a front elevational view showing the coat rack in its fully contracted state;  
FIG. 8 is a rear elevational view of FIG. 7;  
FIG. 9 is a right side elevational view; and,  
FIG. 10 is a left side elevational view of FIG. 7.  
The broken line showing of hook fixtures in FIGS. 1-10 is for illustrative purposes only and forms no part of the claimed design.

[56] **References Cited**

**U.S. PATENT DOCUMENTS**

D. 306,533	3/1990	Fritsch	.....	D6/412
D. 391,706	3/1998	Malcolm	.	
1,510,661	10/1924	Ellingsen	.....	248/165
1,658,882	2/1928	Cantrell et al.	.	
1,981,569	11/1934	Pope	.	
2,008,311	7/1935	Nebel	.....	248/158 X
2,071,132	2/1937	Loucks	.....	248/158
2,249,348	7/1941	Dery	.	
3,642,145	2/1972	Shelton	.	
3,661,270	5/1972	Lucci et al.	.	

**1 Claim, 9 Drawing Sheets**



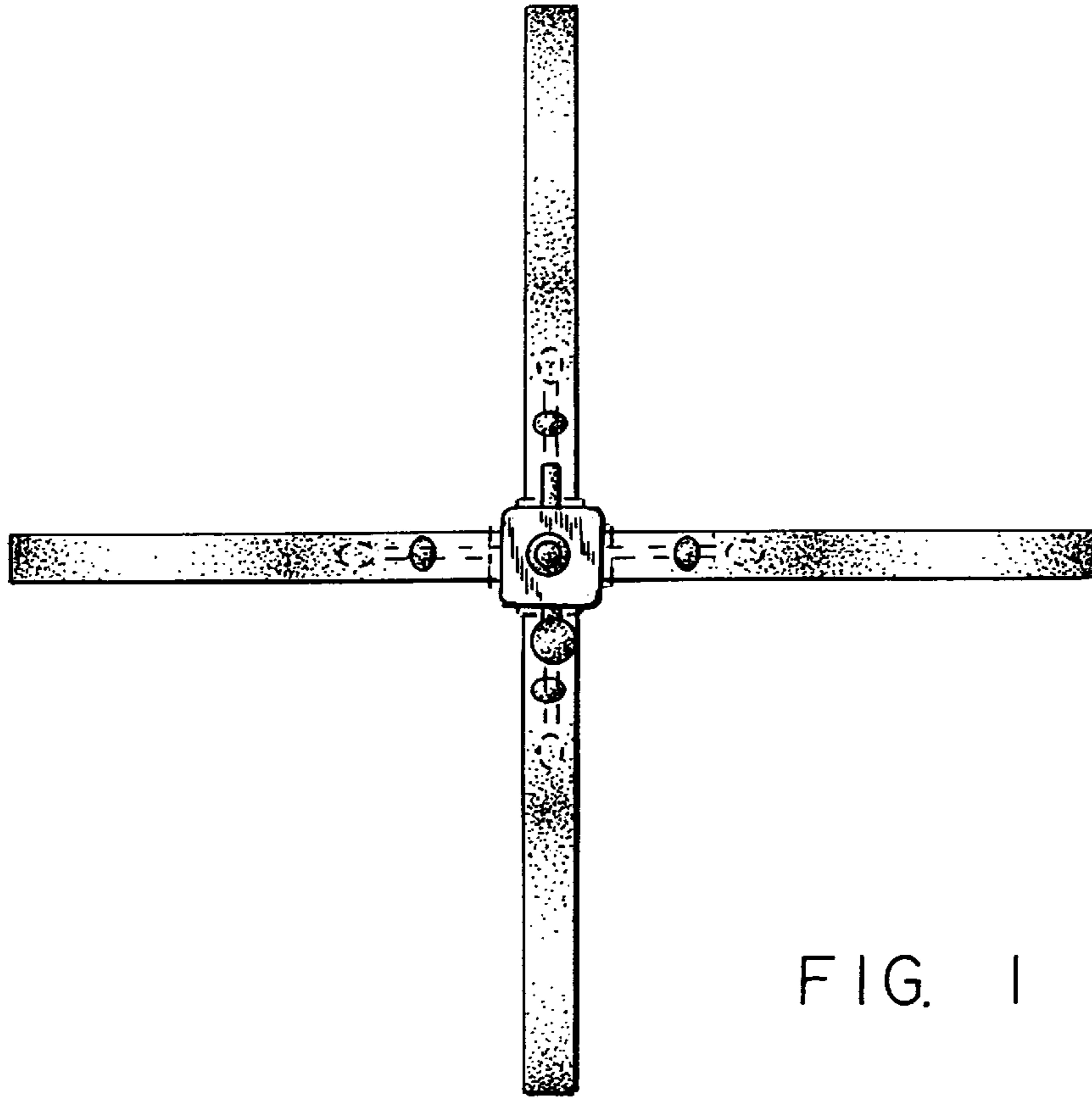


FIG. 1

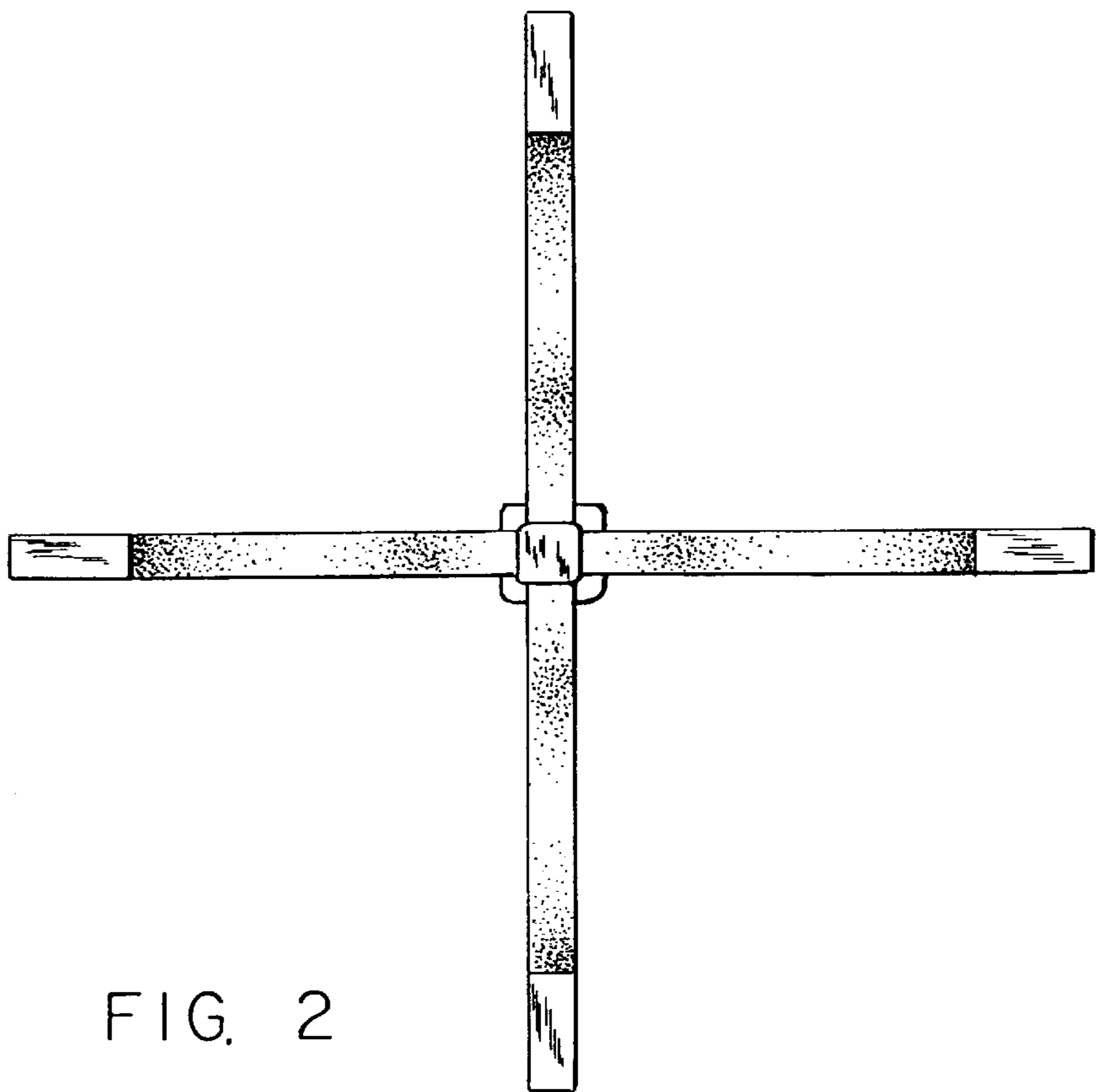


FIG. 2

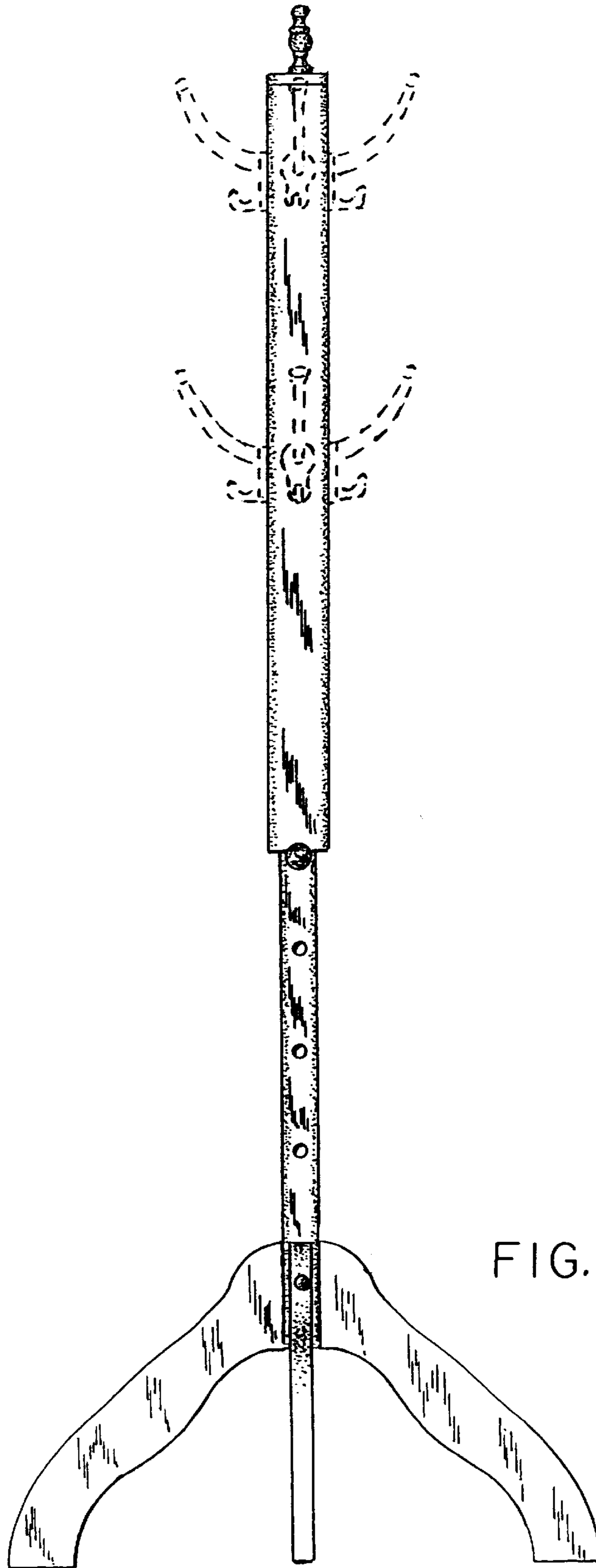


FIG. 3

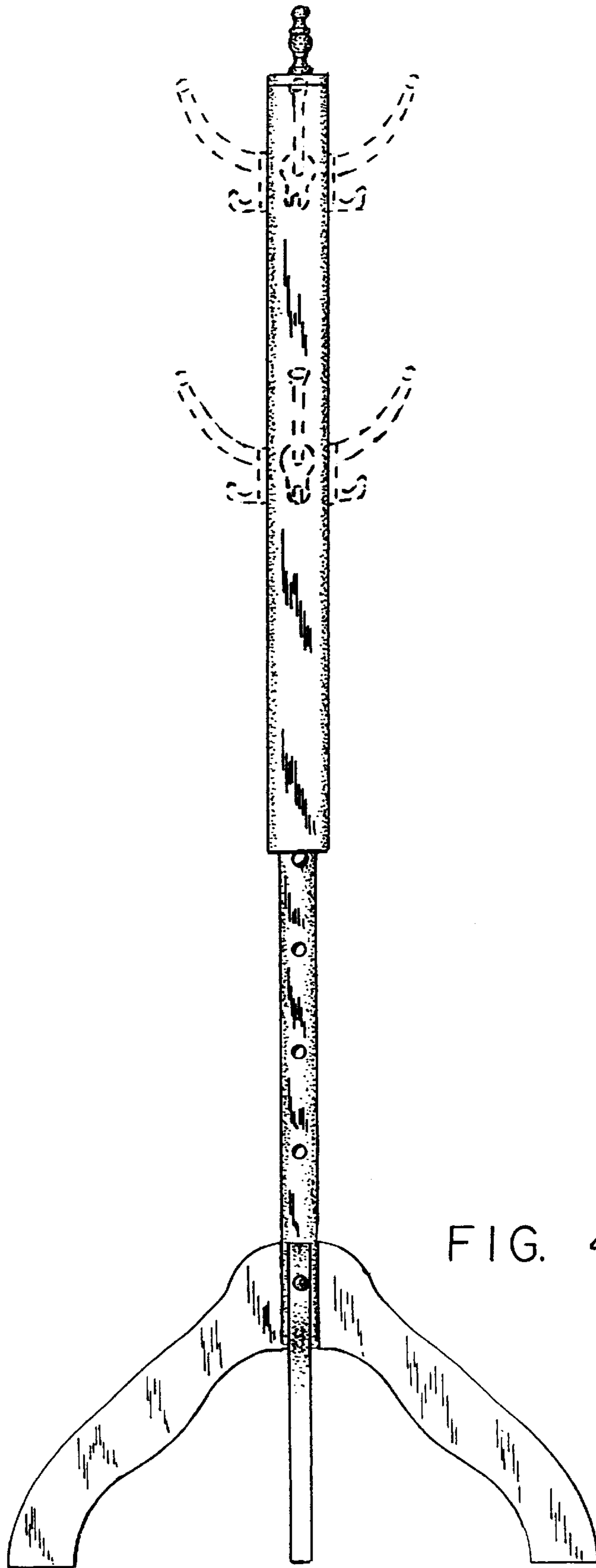


FIG. 4

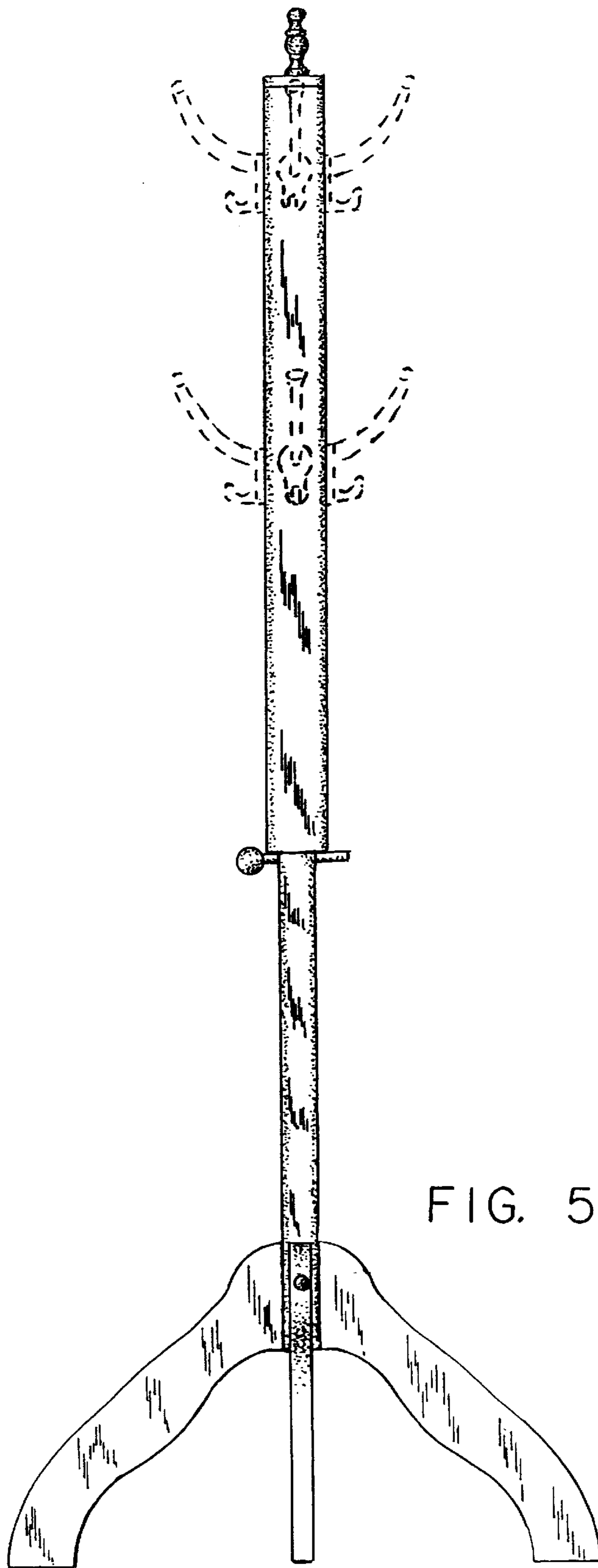
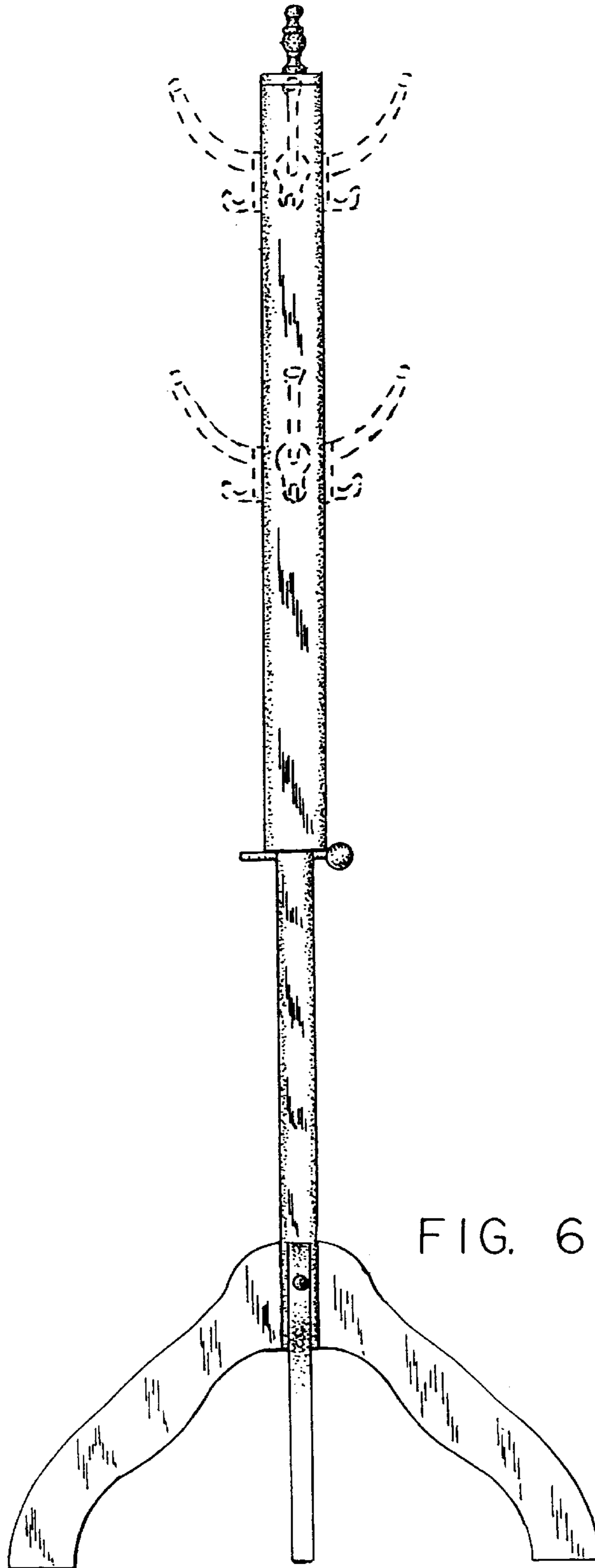


FIG. 5



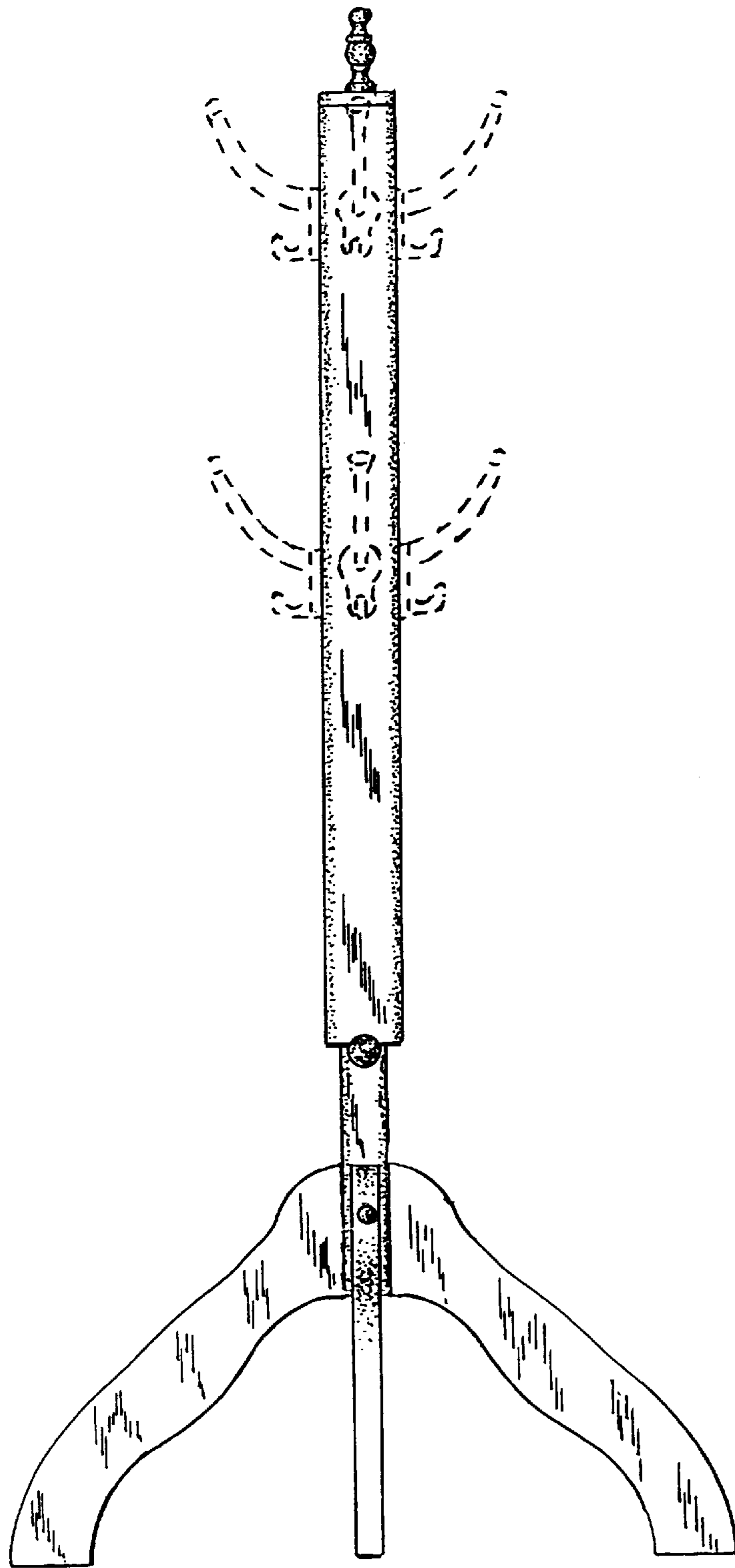


FIG. 7



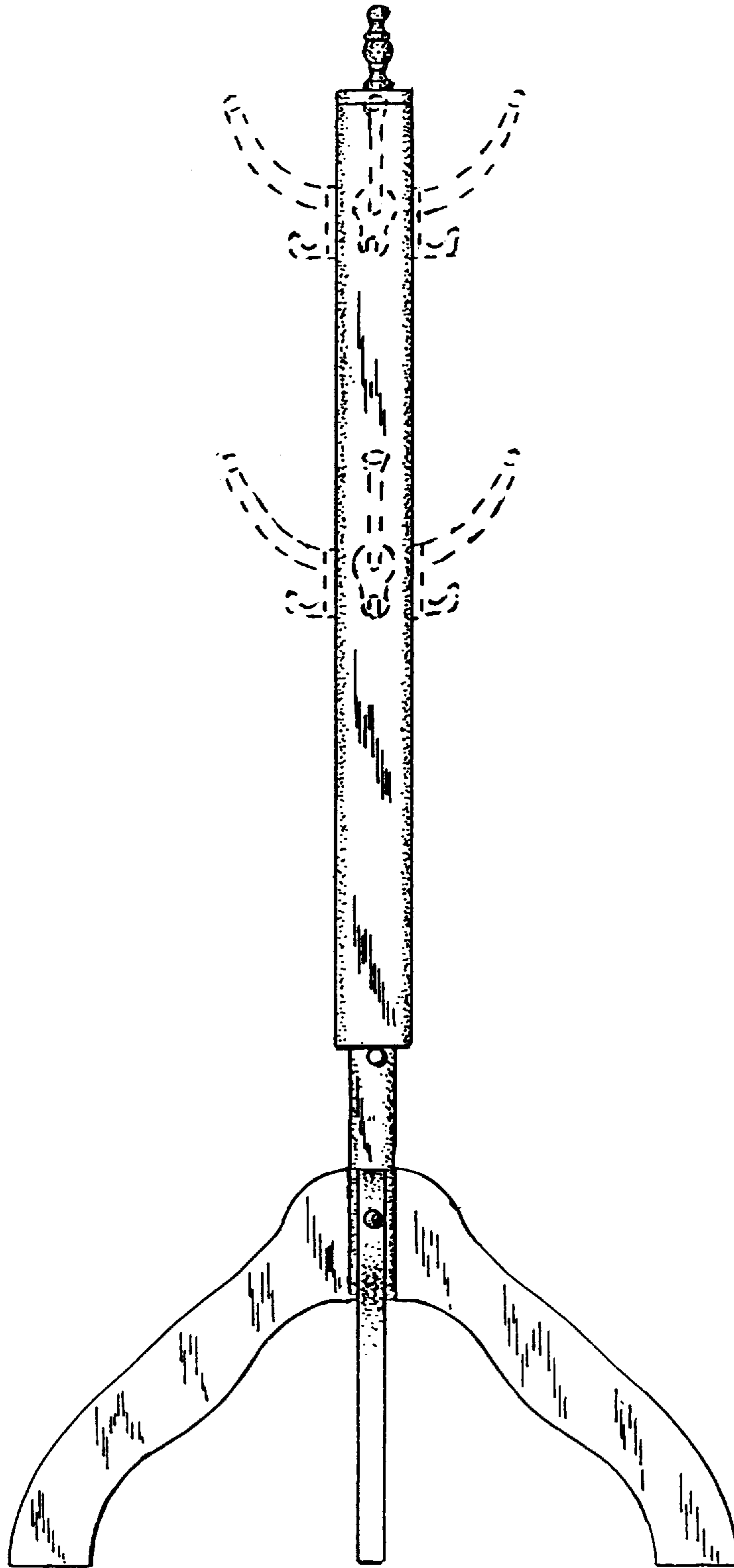


FIG. 8



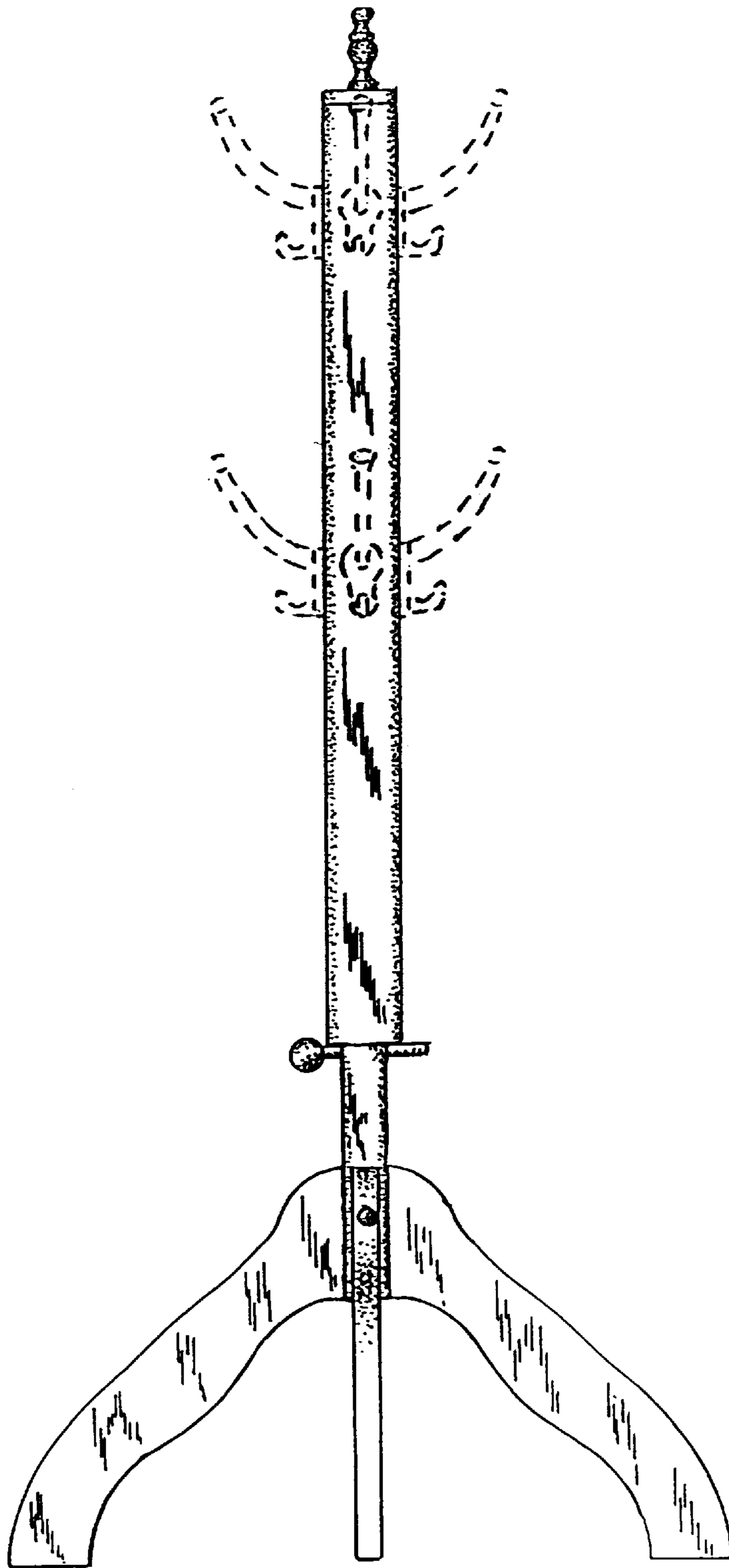


FIG. 9

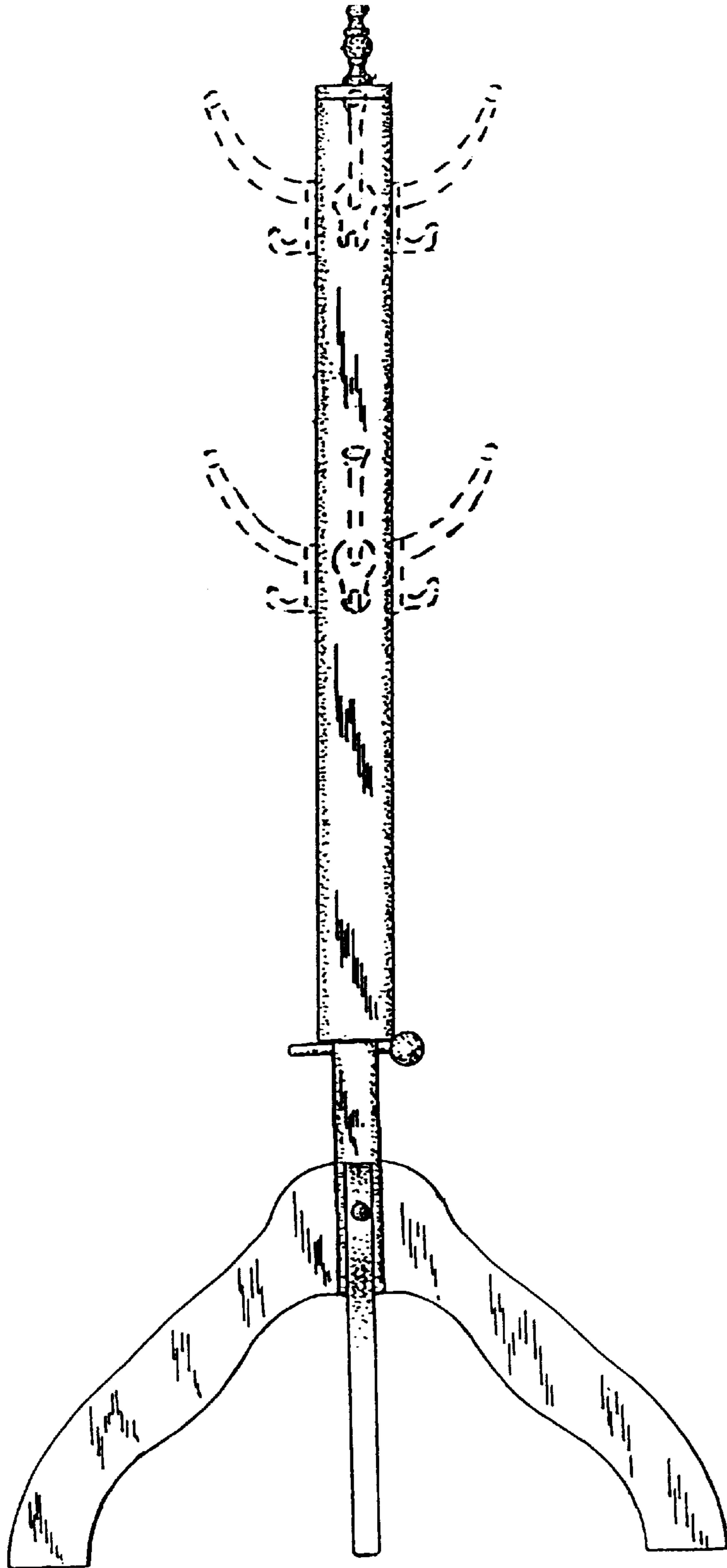


FIG. 10