



US00D410799S

**United States Patent** [19]  
**Meda**

[11] **Patent Number: Des. 410,799**  
[45] **Date of Patent: \*\* Jun. 8, 1999**

[54] **CHAIR**

[75] Inventor: **Alberto Meda**, Milan, Italy

[73] Assignee: **Protoned B.V.**, Amsterdam, Netherlands

[\*\*] Term: **14 Years**

[21] Appl. No.: **29/069,356**

[22] Filed: **Apr. 7, 1997**

[30] **Foreign Application Priority Data**

Oct. 9, 1996 [XH] Hague Agreement ..... DM/037838

[51] **LOC (6) Cl.** ..... **06-01**

[52] **U.S. Cl.** ..... **D6/366**

[58] **Field of Search** ..... D6/334, 364, 365,  
D6/366, 367, 500, 501, 502; 297/411.2

[56] **References Cited**

**U.S. PATENT DOCUMENTS**

D. 288,872 3/1987 Schultz ..... D6/366

D. 327,781	7/1992	Citterio	.....	D6/366
D. 327,782	7/1992	Citterio	.....	D6/366
D. 351,070	10/1994	Scheper et al.	.....	D6/366
D. 363,383	10/1995	Cronk	.....	D6/366
D. 372,799	8/1996	Orians et al.	.....	D6/366
D. 390,712	2/1998	Koepke et al.	.....	D6/366

*Primary Examiner*—Gary D. Watson  
*Attorney, Agent, or Firm*—Selitto & Associates

[57] **CLAIM**

The ornamental design for a chair, as shown.

**DESCRIPTION**

FIG. 1 is a front perspective view of a chair showing my new design;  
FIG. 2 is a front elevational view thereof;  
FIG. 3 is a rear elevational view thereof;  
FIG. 4 is a right side elevational view thereof;  
FIG. 5 is a top plan view thereof;  
FIG. 6 is a left side elevational view thereof; and,  
FIG. 7 is a bottom plan view thereof.

**1 Claim, 4 Drawing Sheets**

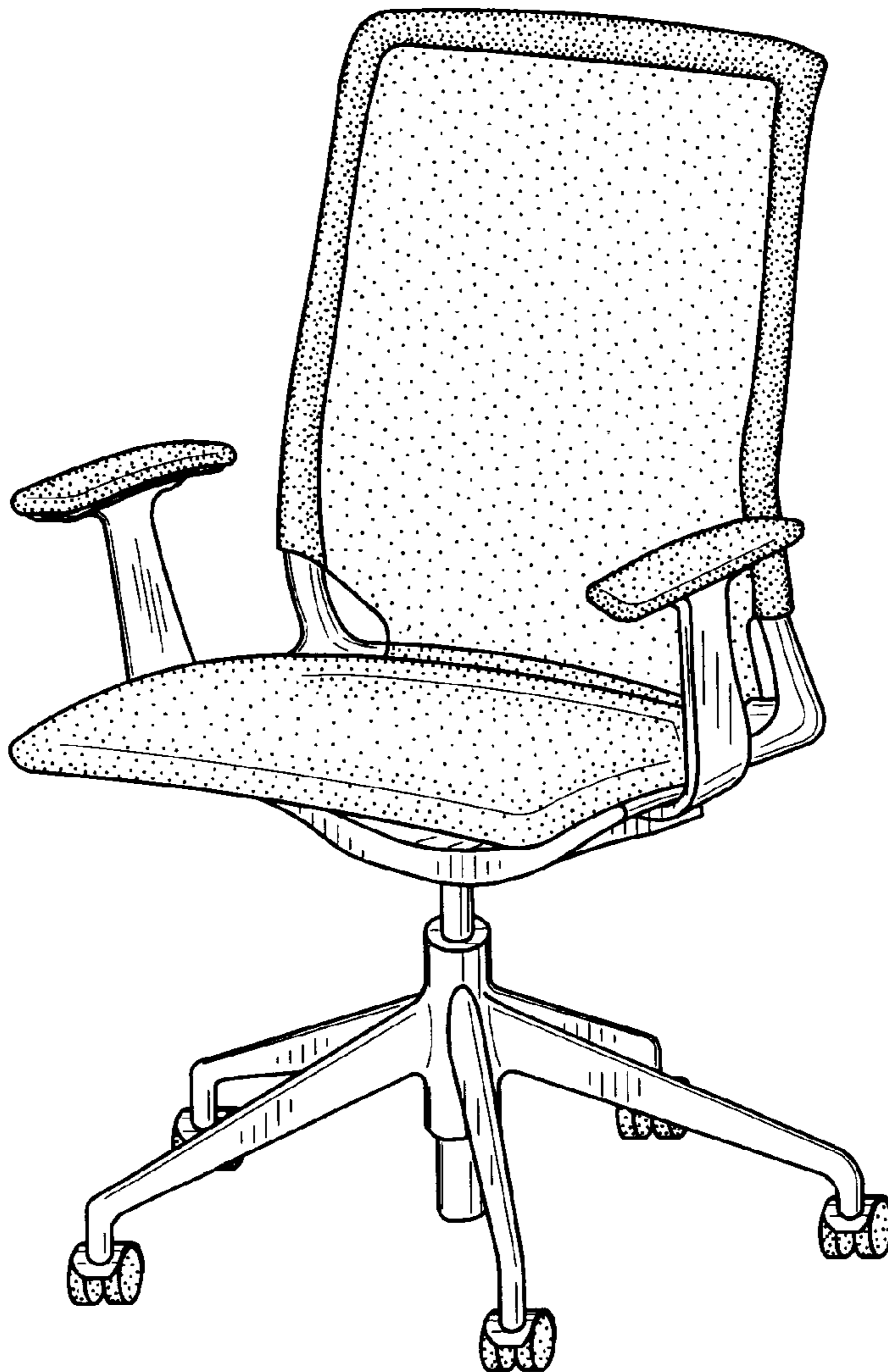


FIG. 1



FIG. 2

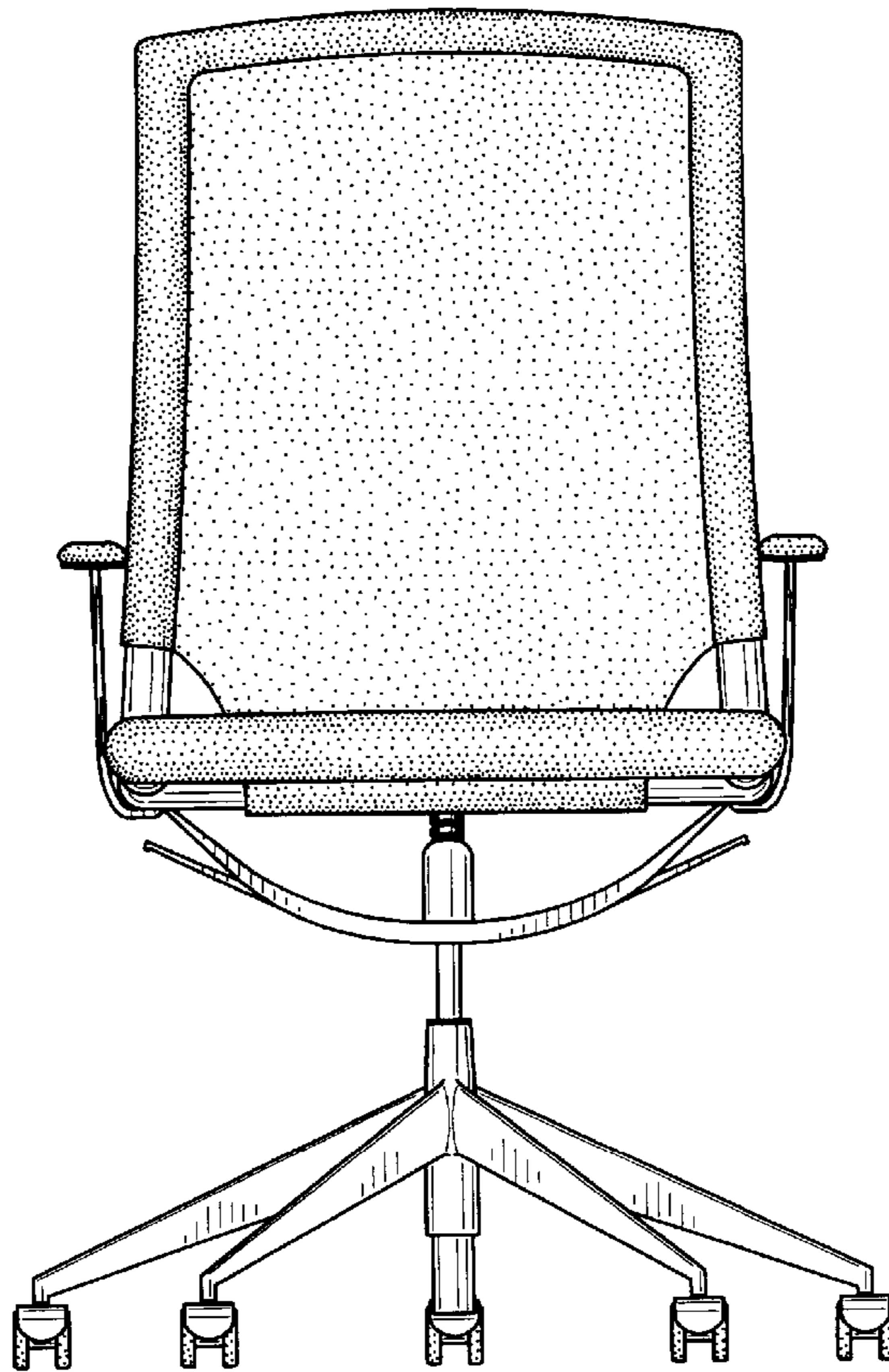


FIG. 3

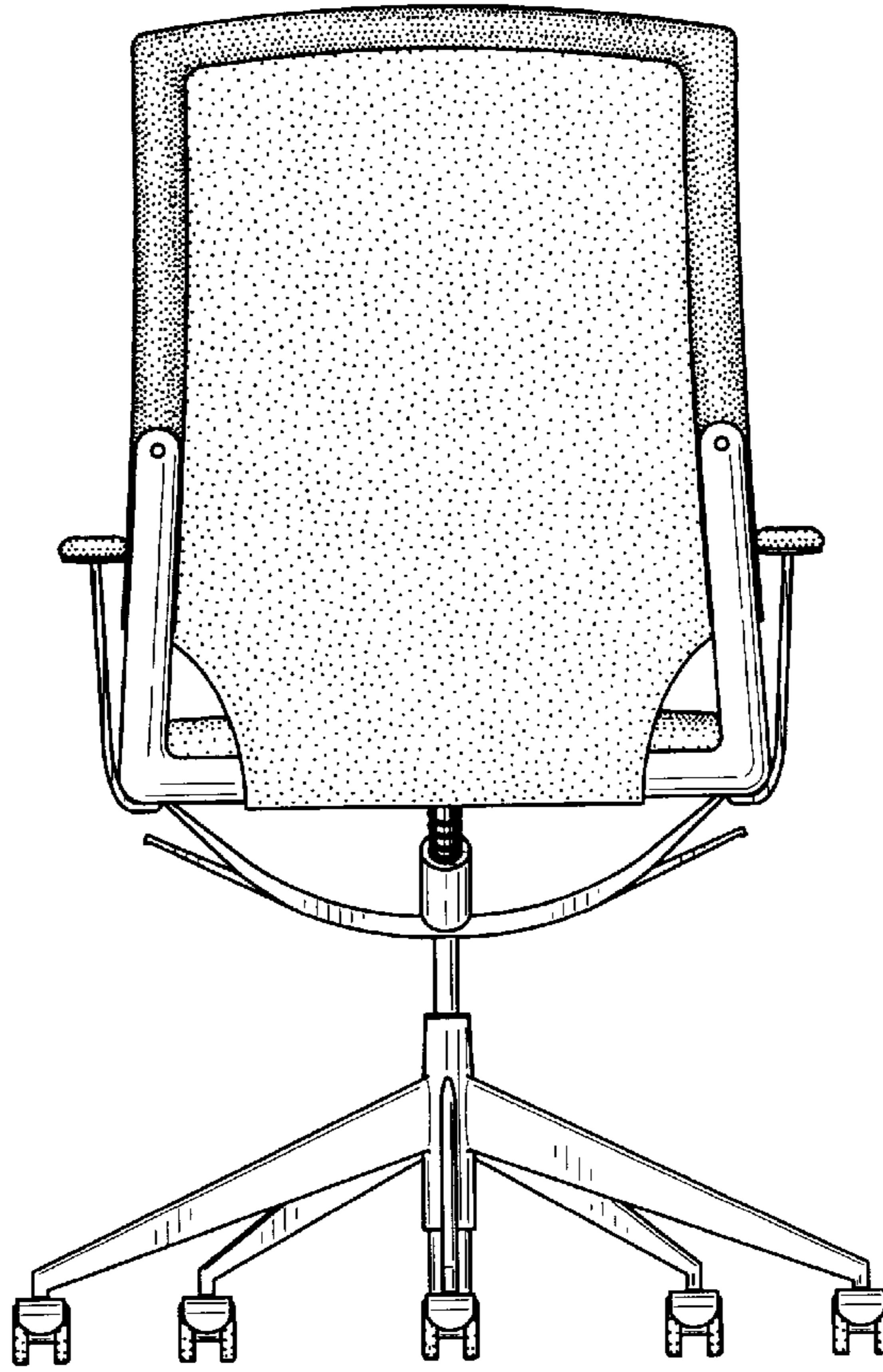


FIG. 4

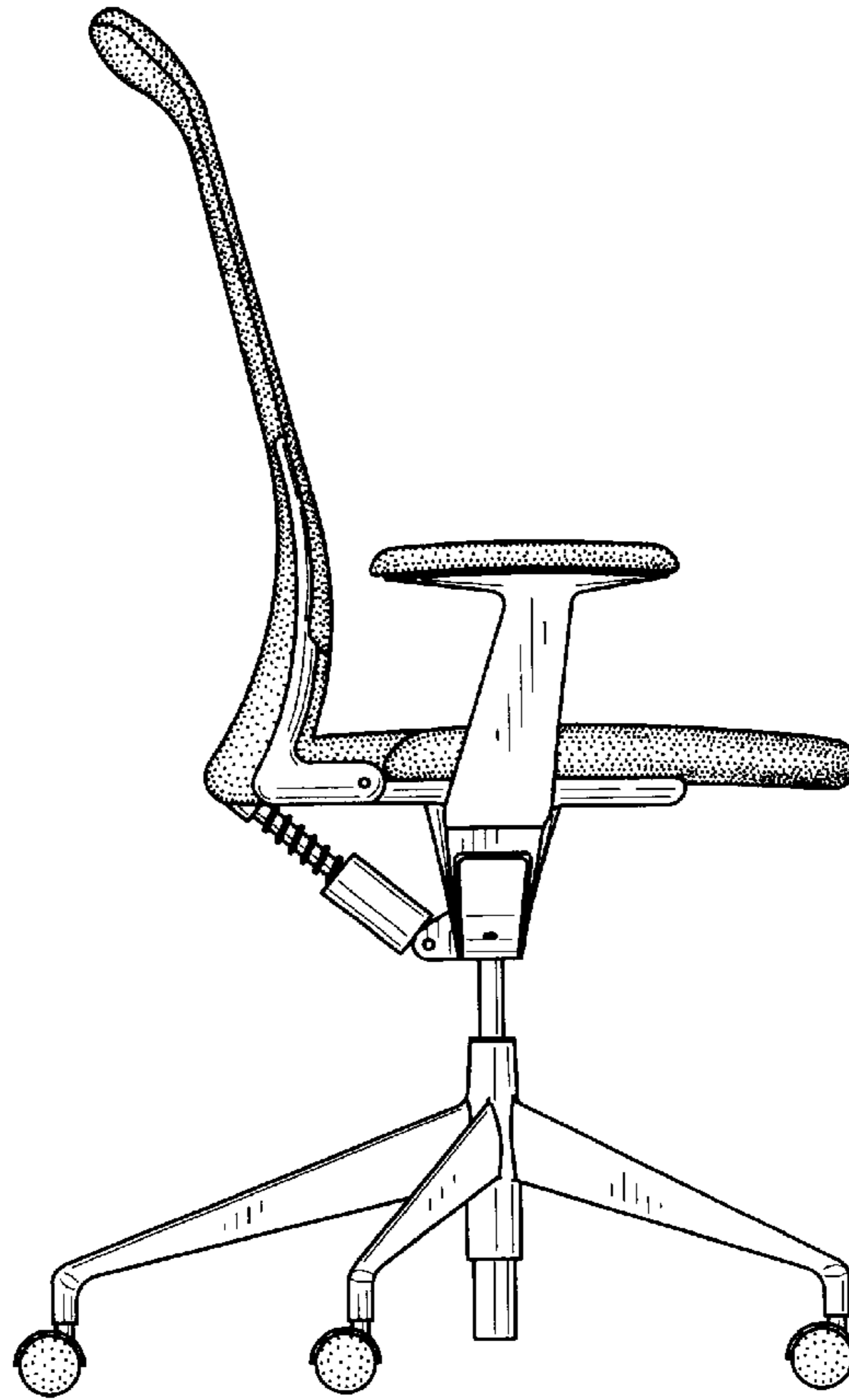


FIG. 5

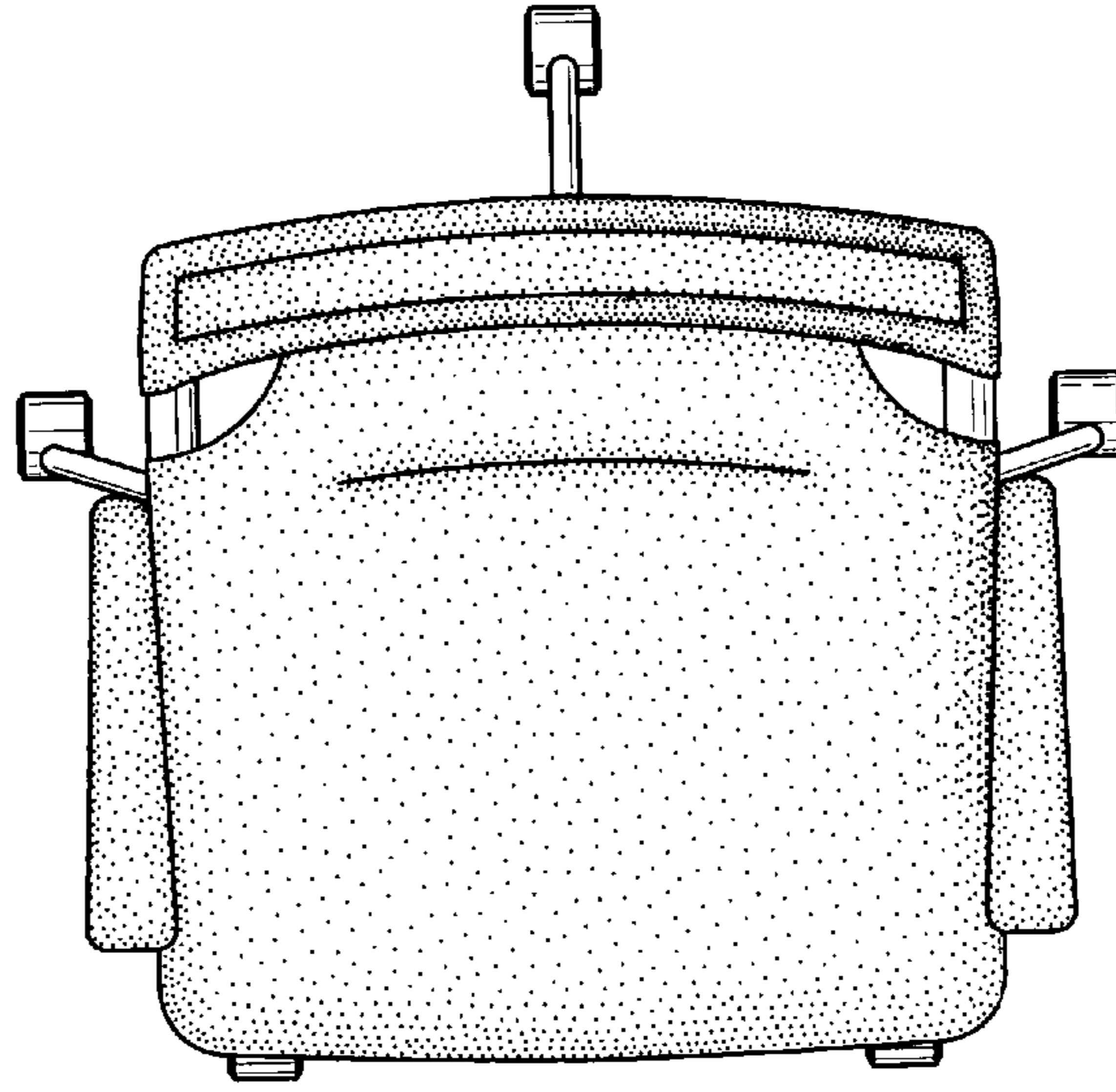
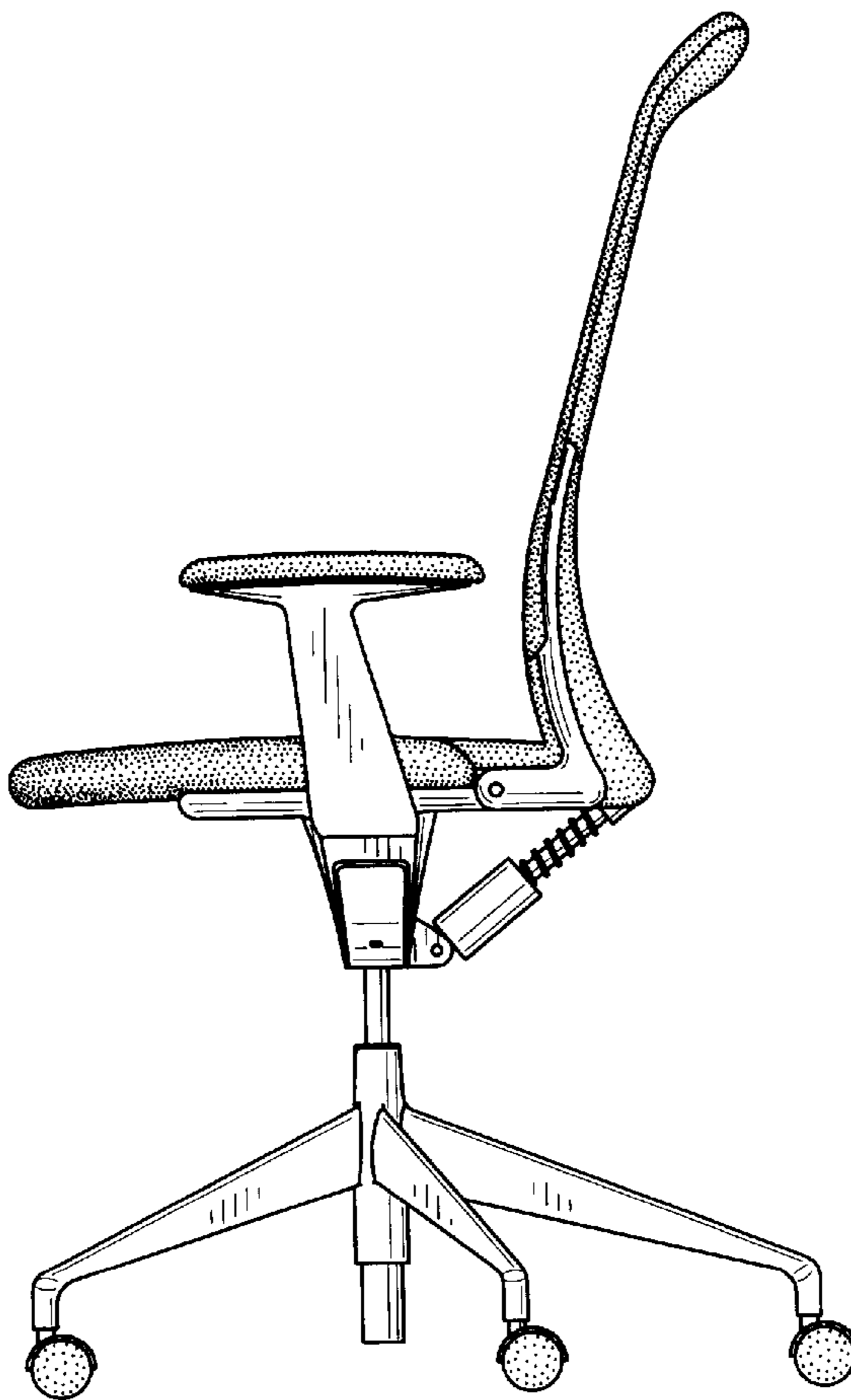


FIG. 6



*FIG. 7*

